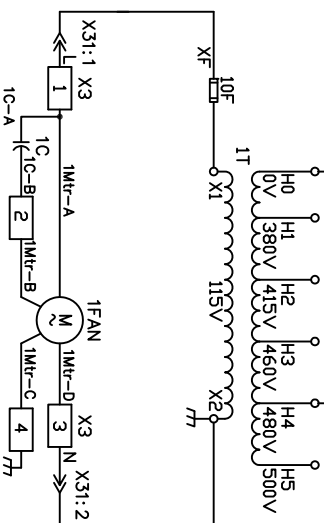


- NOTES:
1. PROGRAMMING: DRIVE MACRO = HVAC DEFAULT.
 2. DASH LINES INDICATE CUSTOMER INSTALLED DEVICES AND WIRING
 3. COPPER WIRE RATED FOR 60°C INSULATION IF RATED LESS THAN 100A OR 75°C IF RATED 100A OR MORE MUST BE USED.
 4. REFER TO USER MANUAL FOR OPERATION, CONNECTIONS AND TIGHTENING TORQUE VALUES.
 5. FUSE RATING LABEL IS NEAR DEVICE.
 6. CUSTOMER REQUIRED TO PROVIDE BRANCH CIRCUIT PROTECTION AND DISCONNECT MEANS PER NEC AND LOCAL CODE.
 7. SHORT CIRCUIT CURRENT: 100KA RMS SYMMETRICAL 480V MAXIMUM.



Rev	SEE ECN 10003203	06/23/09	DC	ACX550	Power Wiring Diagram	Project Name	Approved By	Responsible	Date	Reference number	Sheet
Based On	Description	Date	Appd	Part Number	Diagram Title	ACH550 PACKAGED DRIVE INPUT SWITCH AND FUSES	Checked	Responsible	Date	Document number	Cont.
							J. Truettner	ABB	9/19/2007	PD00R278PW-A	A
							J. Brenner	ABB Inc.		3AU/A0000014954	B
							Sch Gen				