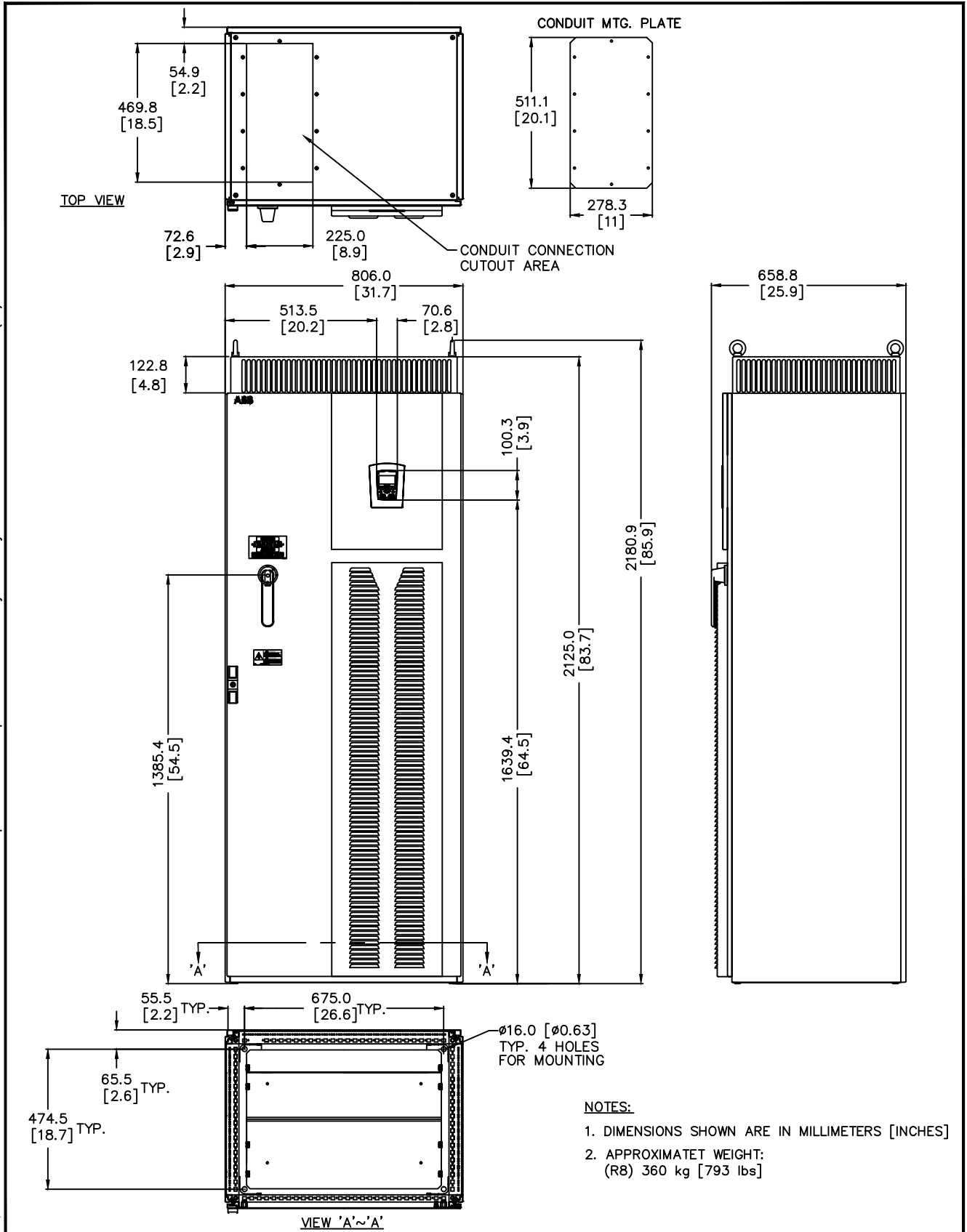


We reserve all rights in this document and the information contained therein. Reproduction, use, or disclosure to third parties without express written authority is strictly forbidden. © ABB Automation Inc. (US)



- NOTES:**
- DIMENSIONS SHOWN ARE IN MILLIMETERS [INCHES]
 - APPROXIMATE WEIGHT:
(R8) 360 kg [793 lbs]

F-3BUA0980502-d, rev. 1, 6-1-00

ECO #	Rev. descr.						
Prep.	USINY/ 45069	D.CRAWLEY	09/25/07	Title		Cont. sh.	
Appr.	USINY/ 45069	D.TRUETTNER	09/25/07	DIMENSIONAL DRAWING		--	
Resp. dept.	USINY/ 45069		09/25/07	PACKAGED DRIVE B4 T1			
ABB ABB Automation and Drives				Document number	Long.	Rev. ind.	Sheet
				3AUA0000021152	EN	A	1