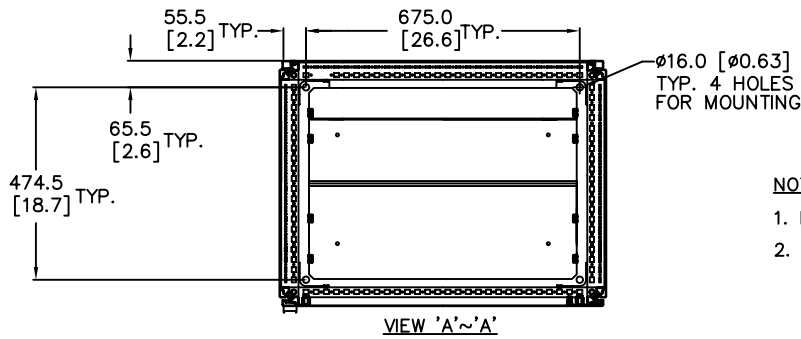
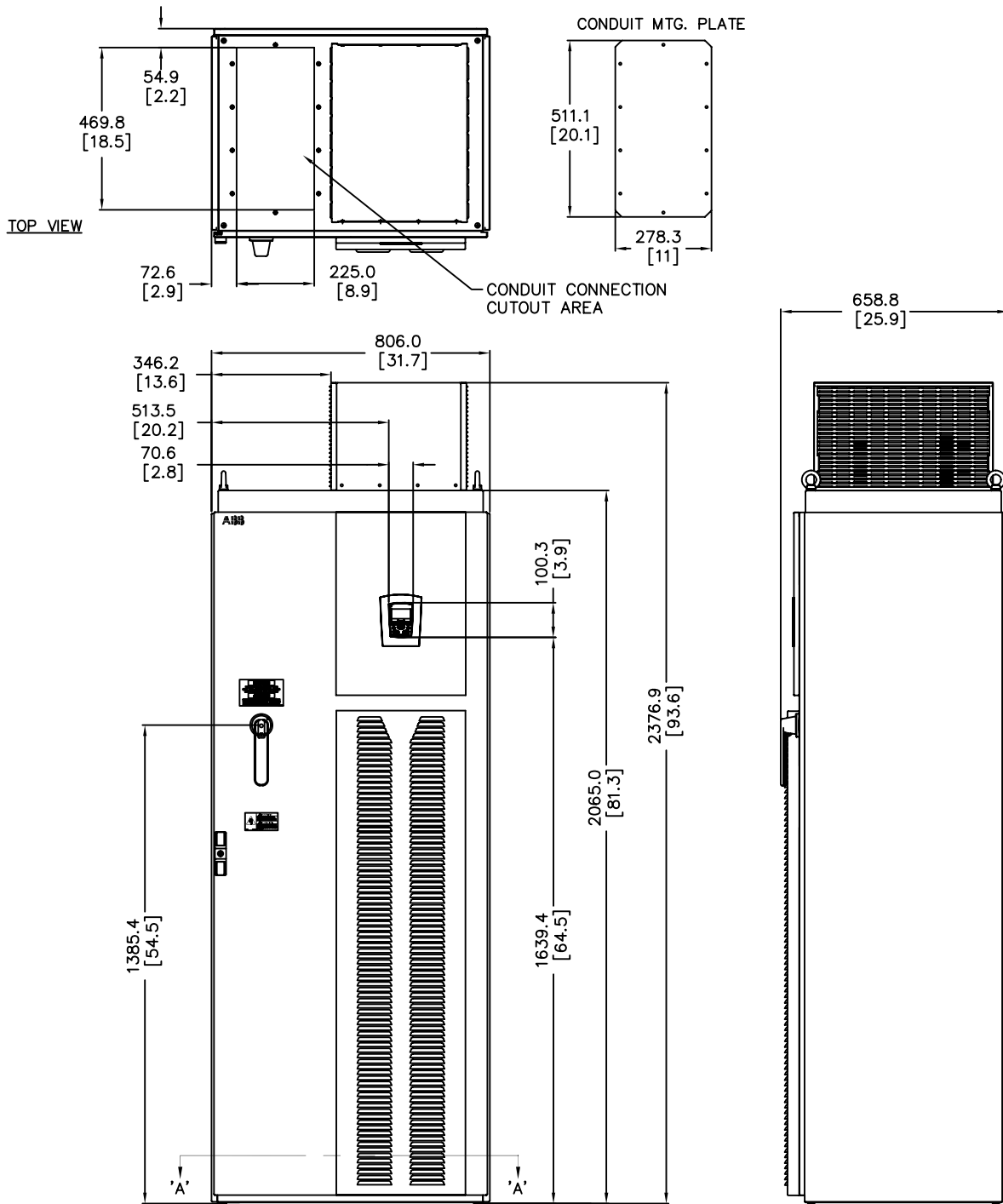


We reserve all rights in this document and the information contained therein. Reproduction, use, or disclosure to third parties without express written authority is strictly forbidden. © ABB Automation Inc. (US)



- NOTES:**
- DIMENSIONS SHOWN ARE IN MILLIMETERS [INCHES]
 - APPROXIMATE WEIGHT:
(R8) 380 kg [837 lbs]

F-3BUA0980502-d, rev. 1, 6-1-00

ECO #	Rev. descr.			Title DIMENSIONAL DRAWING PACKAGED DRIVE B4 T12		Cont. sh. --	
Prep.	USINY/ 45069	D.CRAWLEY	09/25/07				
Appr.	USINY/ 45069	D.TRUETTNER	09/25/07				
Resp. dept.	USINY/ 45069		09/25/07	Document number 3AUA0000021153	Lang. EN	Rev. ind. A	Sheet 1