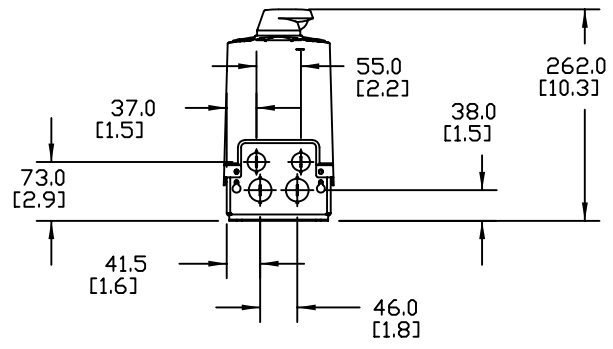
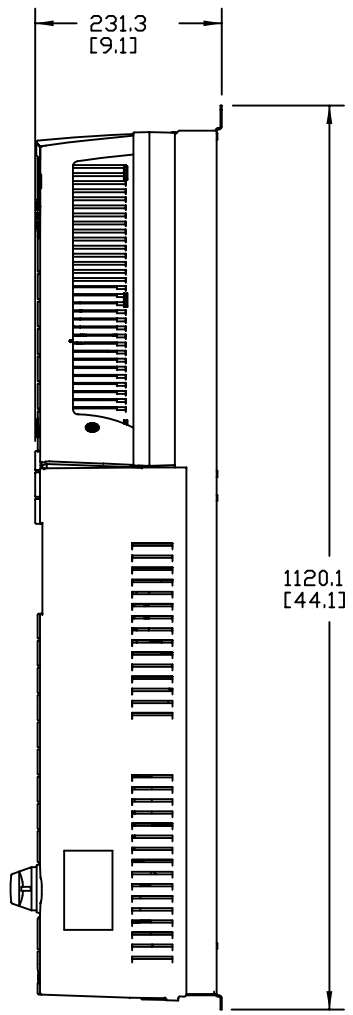
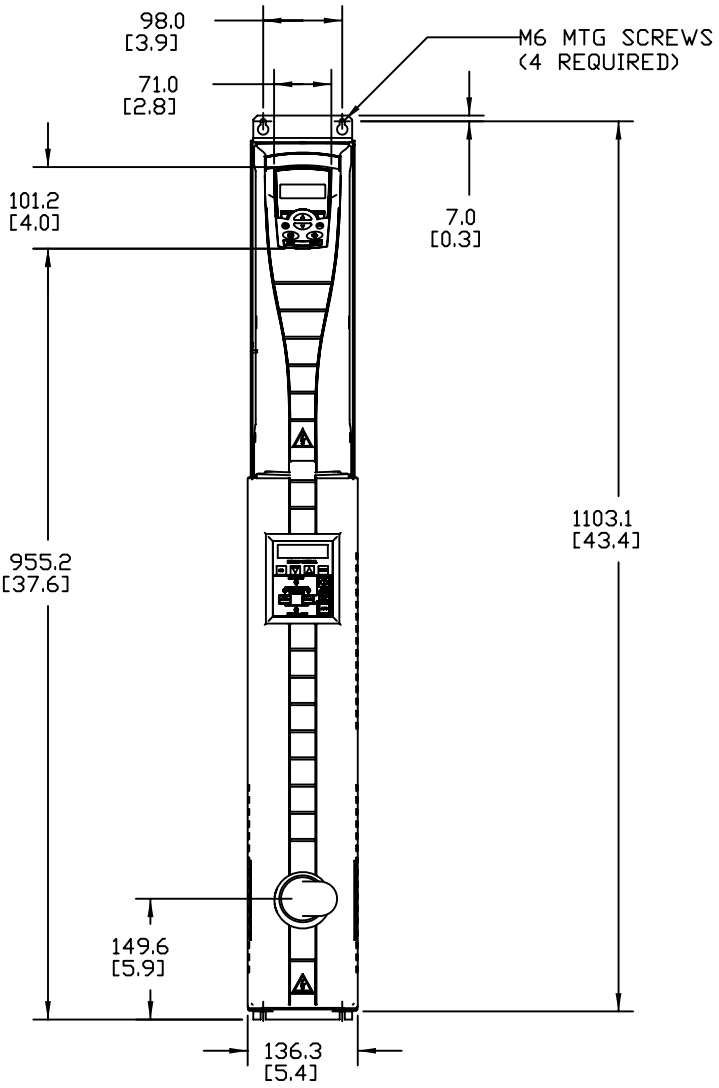
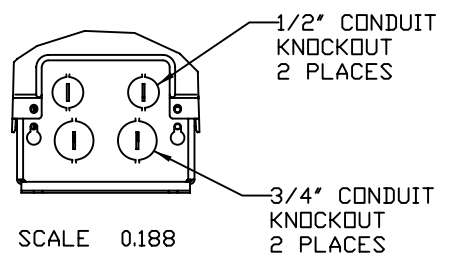


Third angle projection. Original drawing made with Pro/ENGINEER. Set the correct scale factor when adding dimensions after DWG/DXF projection.



NOTES:
 1) DIMENSIONS SHOWN ARE IN mm [inches].
 2) PRODUCT WEIGHT: 18 kg [40 lbs.].



F-3BUA0980502-k, rev. 2, 10-21-04

Cust. Doc. No.		Based on		Customer			
ABB Ref. No.							
Prep.	B.SCHRAM	30-JUL-07	Title	DIMENSION DRAWING,	Doc. des.	Scale	Form
Check.	B.SCHRAM	30-JUL-07		E-CLIPSE V2 TYPE 1	DIMENSION DRAWING	0.110	A
Appr.	D.TRUETTNER	30-JUL-07			Resp.dept.	45069	Rev.ind.
							A (AP)
Project name				Doc. No.		Lang.	
Weight kg				3AUA0000016372		EN	
ABB Inc.						Sheet	
						Total	