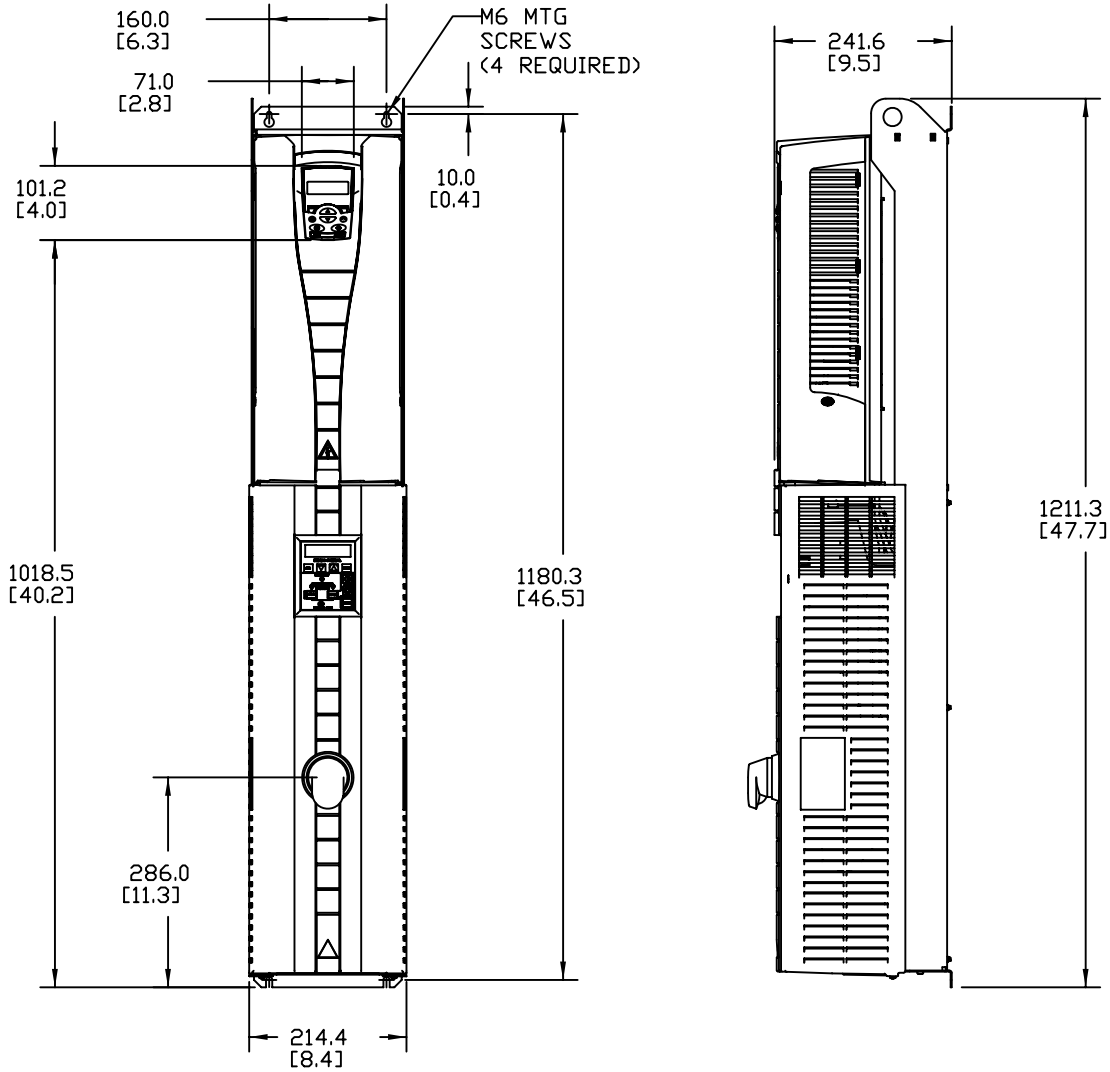
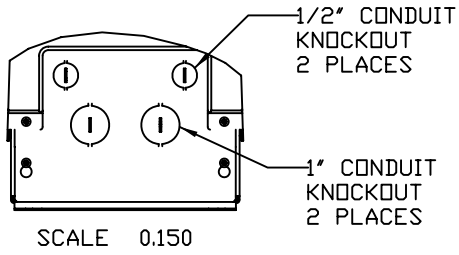
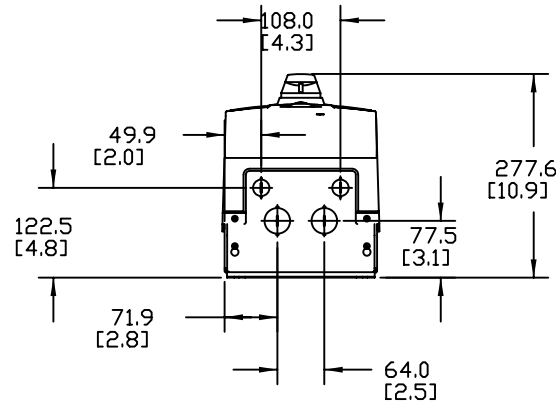


3AUA0000016373	PDMREV:D	We reserve all rights in this document and in the information contained therein. Reproduction, use or disclosure to third parties without express authority is strictly forbidden.
RED_R3_BYPASS (ASSEM)	A.0	©ABB Inc. (US)

Third angle projection. Original drawing made with Pro/ENGINEER. Set the correct scale factor when adding dimensions after DWG/DXF projection.



- NOTES:
- 1) DIMENSIONS SHOWN ARE IN mm [inches].
  - 2) PRODUCT WEIGHT: 32 kg [70 lbs.].



F-3BUA0980502-k, rev. 2, 10-21-04

Cust. Doc. No.		Based on		Customer	
ABB Ref. No.					
Prep. B.SCHRAM	24-JUL-07	Title	DIMENSION DRAWING	Doc. des.	DIMENSION DRAWING
Check. B.SCHRAM	24-JUL-07		E-CLIPSE V3 TYPE 1	Scale	0.100
Appr. D.TRUETTNER	24-JUL-07			Form	A
Project name		Resp.dept.		45069	Rev.ind.
Weight kg		Doc. No.		3AUA0000016373	A (AP)
		Lang.		EN	
		Sheet		1	
		Total		1	

