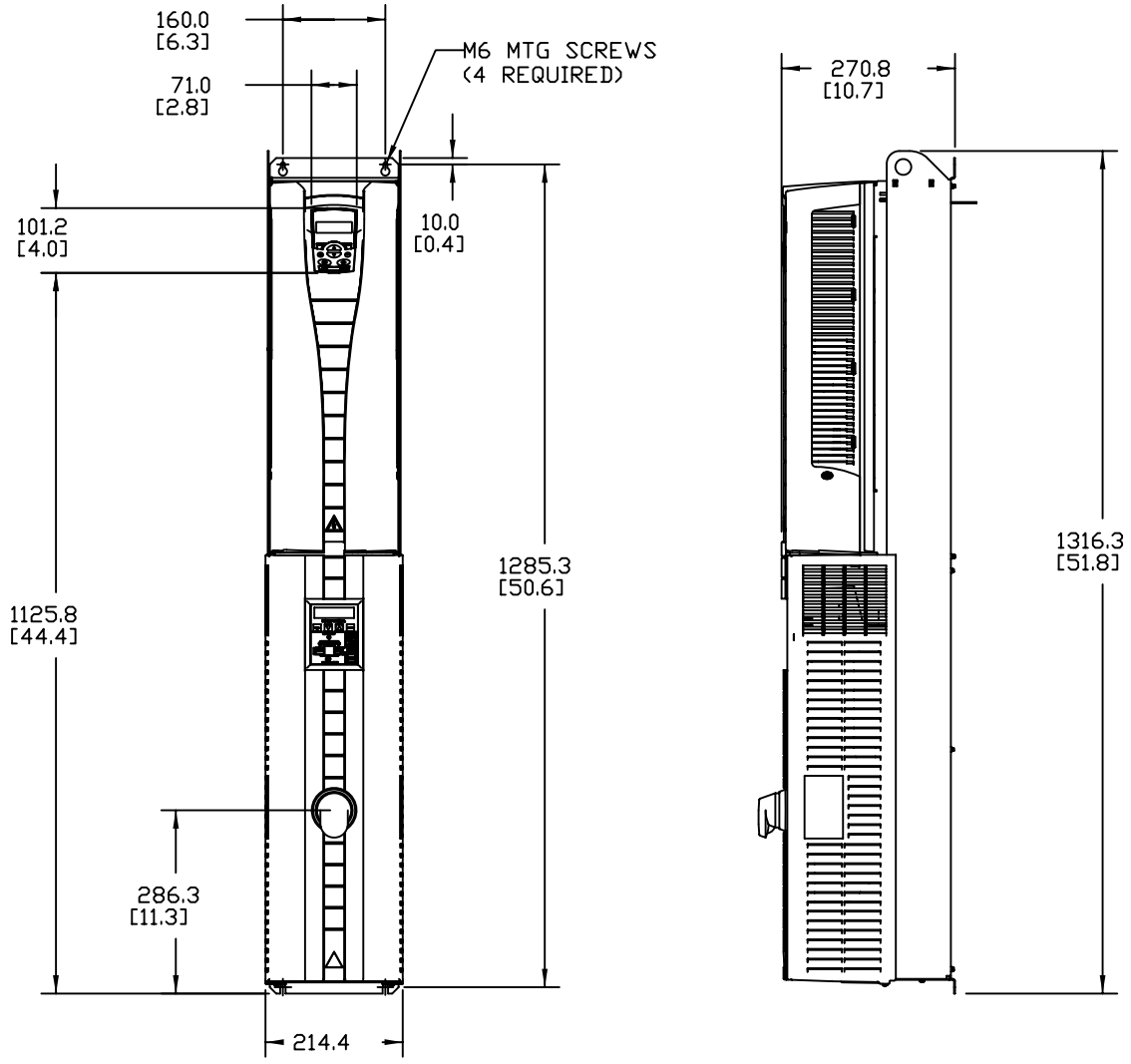
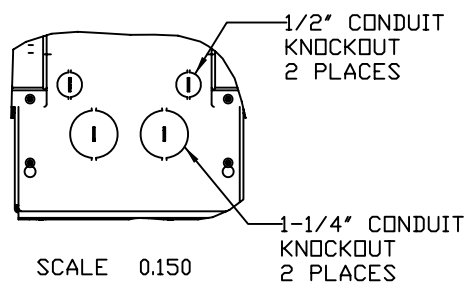
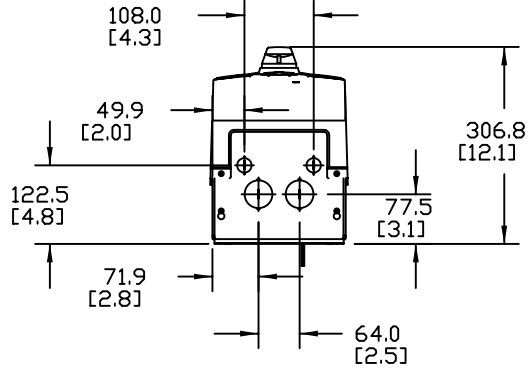


3AUA000016374	PDMREV:D	We reserve all rights in this document and in the information contained therein. Reproduction, use or disclosure to third parties without express authority is strictly forbidden. ©ABB Inc. (US)
1A_R4_REDWOOD_TOP (ASSEM)	A.0	

Third angle projection. Original drawing made with Pro/ENGINEER. Set the correct scale factor when adding dimensions after DWG/DXF projection.



- NOTES:  
 1) DIMENSIONS SHOWN ARE IN mm [inches].  
 2) PRODUCT WEIGHT: 42 kg [92 lbs.].



F-3BUA0980502-k, rev. 2, 10-21-04

Cust. Doc. No. ABB Ref. No.		Based on		Customer	
Prep. B.SCHRAM	24-JUL-07	Title	DIMENSION DRAWING	Doc. des.	DIMENSION DRAWING
Check. B.SCHRAM	24-JUL-07		E-CLIPSE V4 TYPE 1	Scale	0.088
Appr. D.TRUETTNER	24-JUL-07			Form	A
Project name		Weight kg		Resp.dept.	45069
<b>ABB</b> Inc.				Rev.ind.	A (AP)
				Lang.	EN
				Doc. No.	3AUA000016374
				Sheet	1
				Total	1