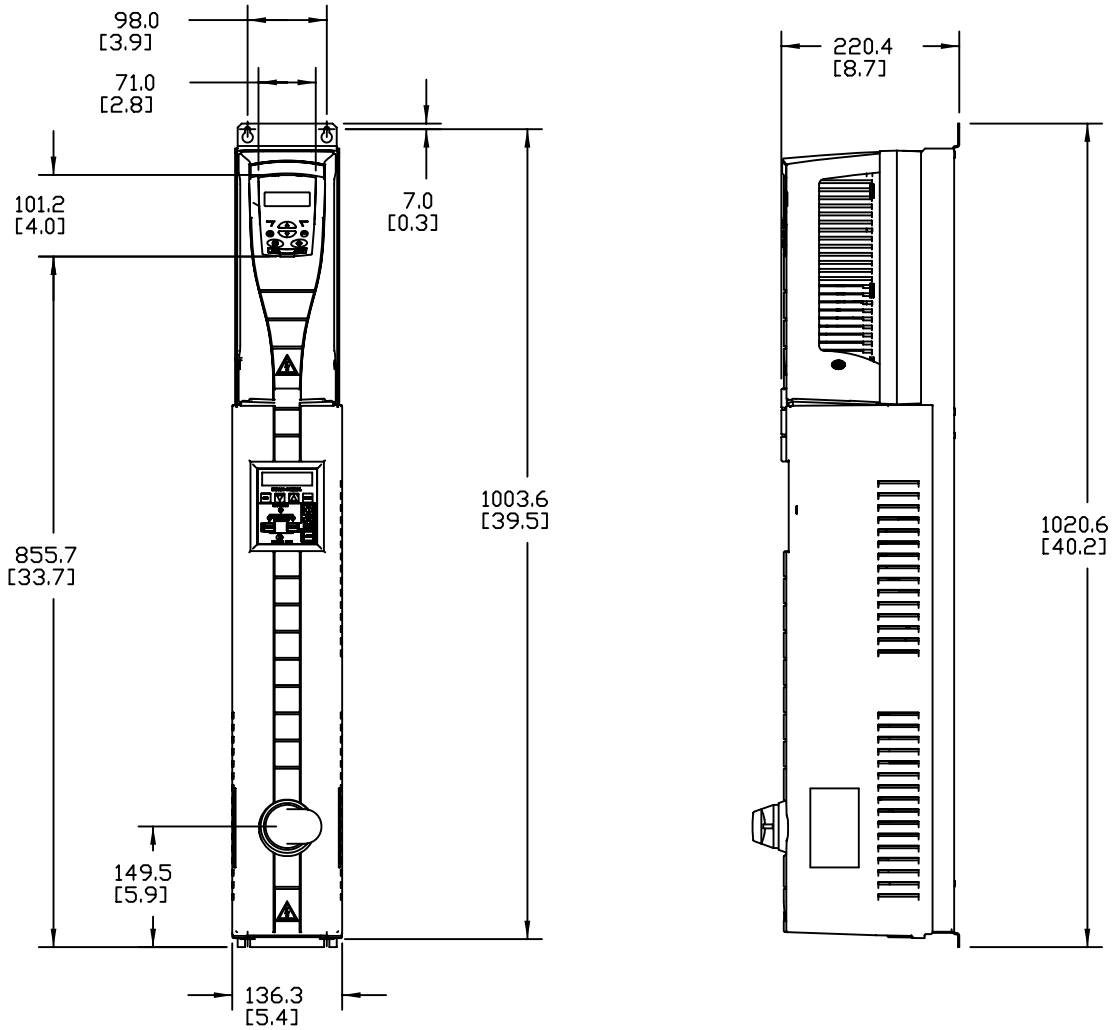
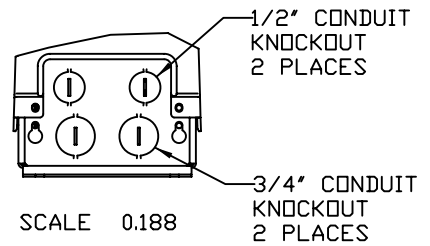
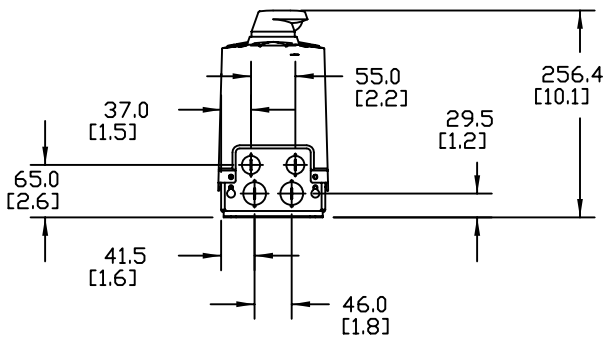


Third angle projection. Original drawing made with Pro/ENGINEER. Set the correct scale factor when adding dimensions after DWG/DXF projection.



- NOTES:
- 1) DIMENSIONS SHOWN ARE IN mm [inches].
 - 2) PRODUCT WEIGHT: 15 kg [32 lbs.].



F-3BUA0980502-k, rev. 2, 10-21-04

Cust. Doc. No.		Based on		Customer					
ABB Ref. No.									
Prep.	B.SCHRAM	30-JUL-07	Title	DIMENSION DRAWING, E-CLIPSE V1 TYPE 1	Doc. des.	Scale	Form		
Check.	B.SCHRAM	30-JUL-07			DIMENSION DRAWING	0.110	A		
Appr.	D.TRUETTNER	30-JUL-07			Resp.dept.	45069	Rev.ind.		A (AP)
Project name			Doc. No.		3AUA0000016371		Sheet		1
Weight kg			ABB Inc.				Total		1