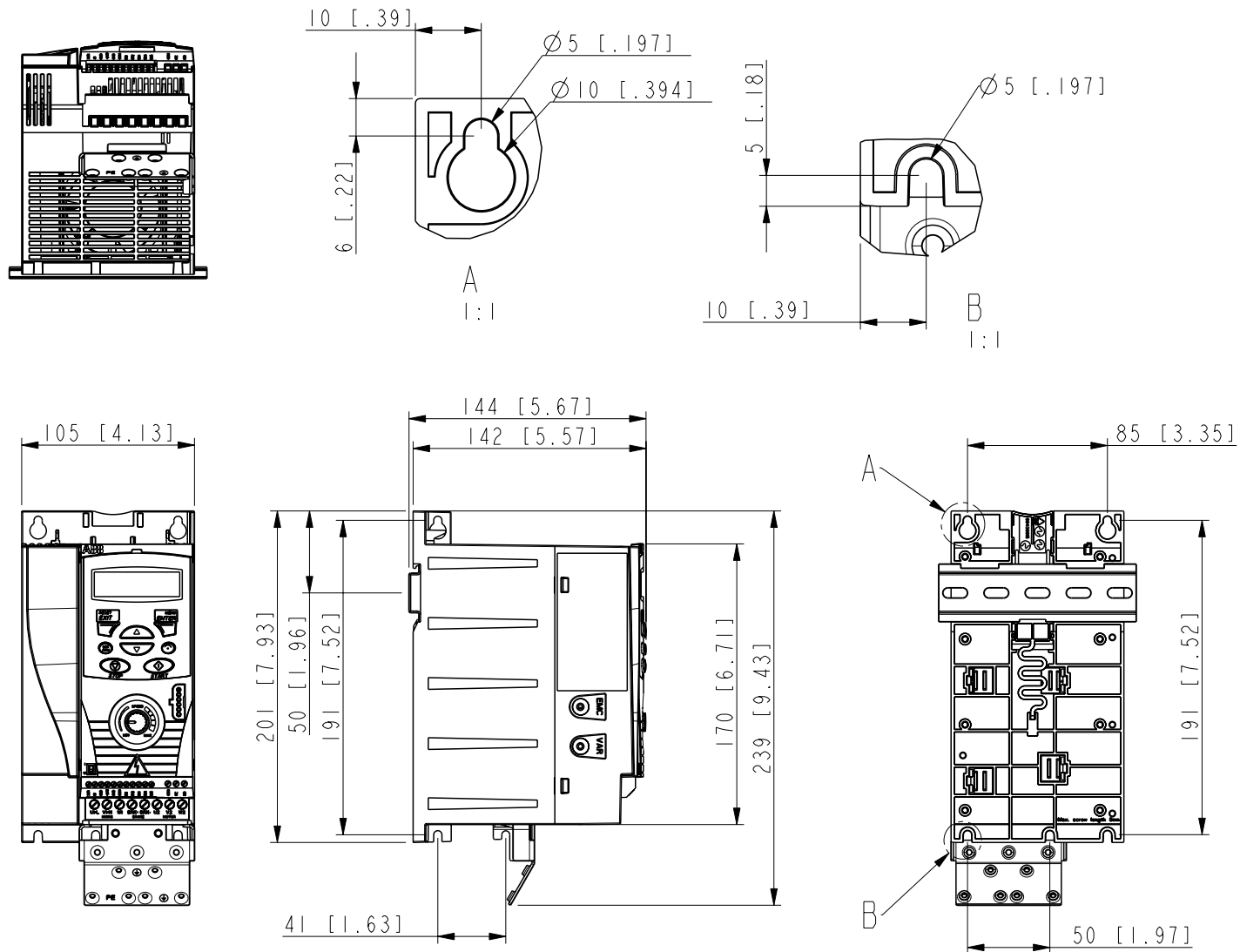


We reserve all rights in this document and in the information contained therein. Reproduction, use or disclosure to third parties without express authority is strictly forbidden.
© ABB Oy

A.2+
A.2

68613264
68613264 (ASSEM)

First angle projection. Original drawing made with Pro/ENGINEER. Set the correct scale factor when adding dimensions after DWG/DXF conversion.



Based on	Prepared	J. TUOMOLA	21-DEC-05	Title	DIMENSION DRAWING		Doc. des.	Scale	Form		
Customer	Check.	M. NUPPONEN	21-DEC-05		R2 IP20		DIMENSION DRAWING	1:4	A4		
	Appr.	V. PALOJOKI	21-DEC-05		ACSI50		Resp.dept.	EGC	Rev.ind.	A (AP)	
Cust. Doc. No.	Project name					Doc. No.		3AFE68613264		Lang.	EN
ABB Ref. No.	Weight kg	0.00				Sheet		1		Total	