

We reserve all rights in this document and in the information contained therein. Reproduction, use or disclosure to third parties without express authority is strictly forbidden.  
© ABB Oy. PROPRIETARY AND SECRET INFORMATION. CONFIDENTIAL

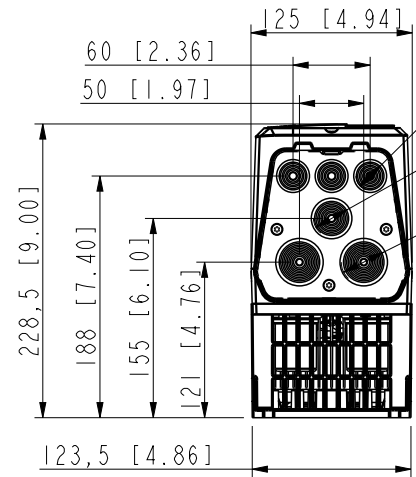
3AXD50000103782  
TIMBER\_R2\_MAIN\_ASSEMBLY (ASSEM) - .61

30-Mar-17 E. Peltoluhta

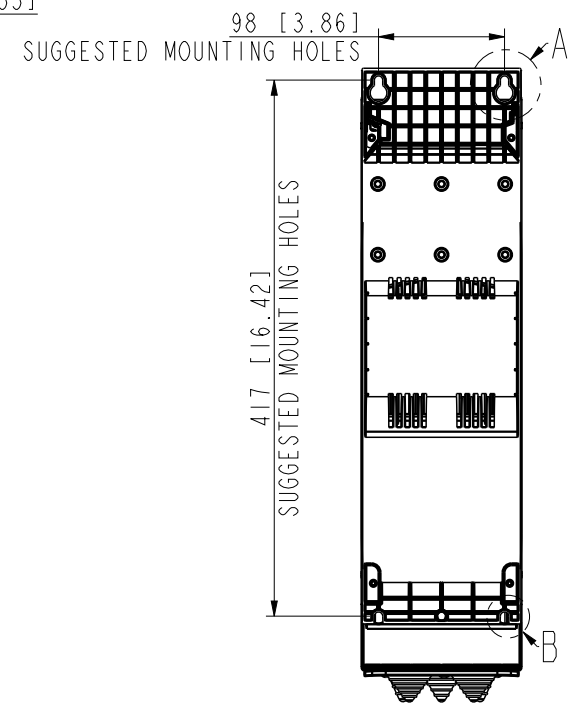
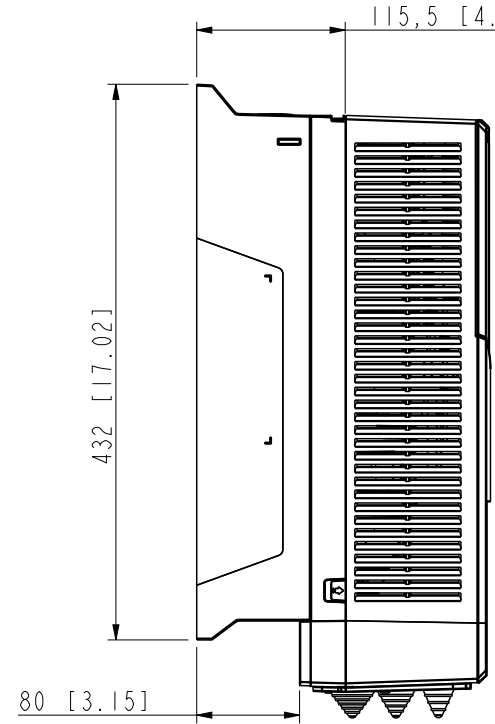
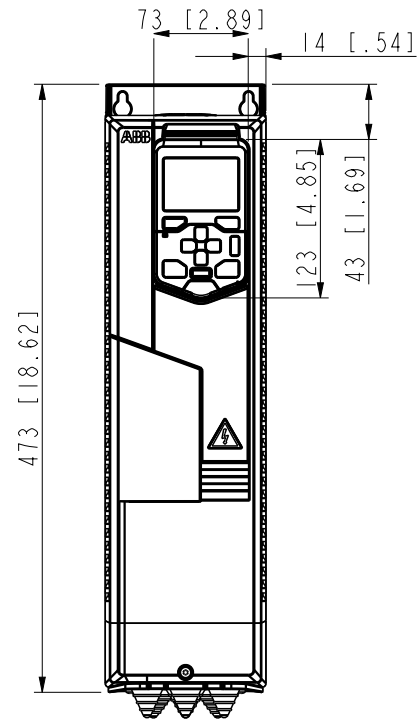
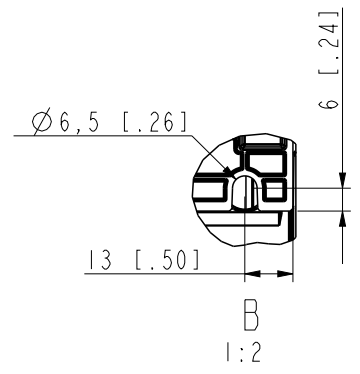
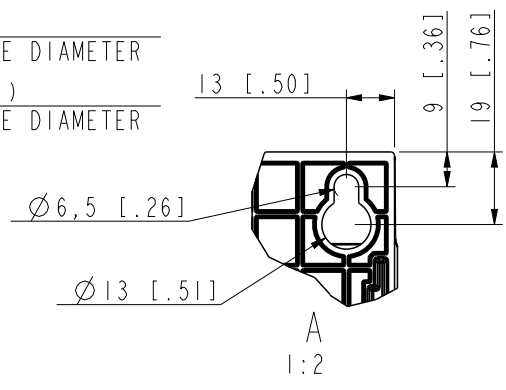
Initial Approval

First angle projection. Original drawing made with 3D CAD. Set the correct scale factor when adding dimensions after DWG/DXF conversion.

IP21



- PLATE HOLE  $\varnothing 22$  [0.87] (3 Pcs.)
- GROMMET UP TO  $\varnothing 15$  [0.59] CABLE DIAMETER
- PLATE HOLE  $\varnothing 28$  [1.11]
- GROMMET UP TO  $\varnothing 20$  [0.79] CABLE DIAMETER
- PLATE HOLE  $\varnothing 35$  [1.38] (2 Pcs.)
- GROMMET UP TO  $\varnothing 25$  [0.98] CABLE DIAMETER



Based on	Prepared	E. Peltoluhta	30-Mar-17
Customer	Check.		30-Mar-17
	Appr.		30-Mar-17
Cust. Doc. No.	Project name		
DMS Number	Weight kg	257855.28	

Title	DIMENSION DRAWING
	ACX580-01 R2 IP21
	ACX580-01



Doc. des.	Scale	Form	
DIMENSION DRAWING	17:100	A4	
Resp.dept.	Rev.ind.	- .0 (DR)	Lang. EN
Doc. No.	3AXD50000103782		Sheet 1
			Total 1