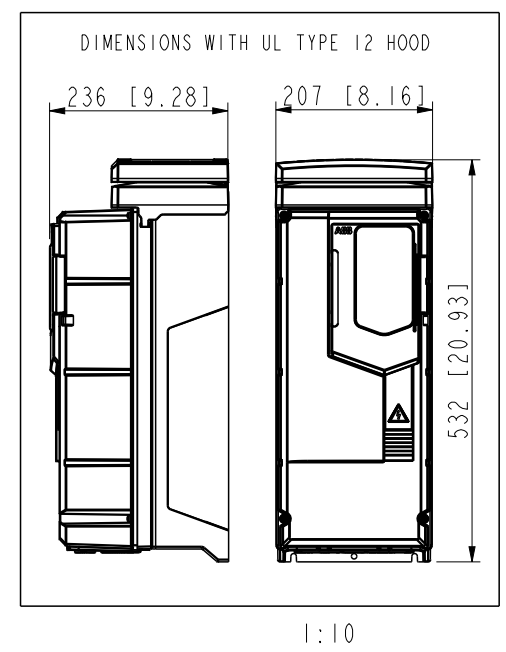
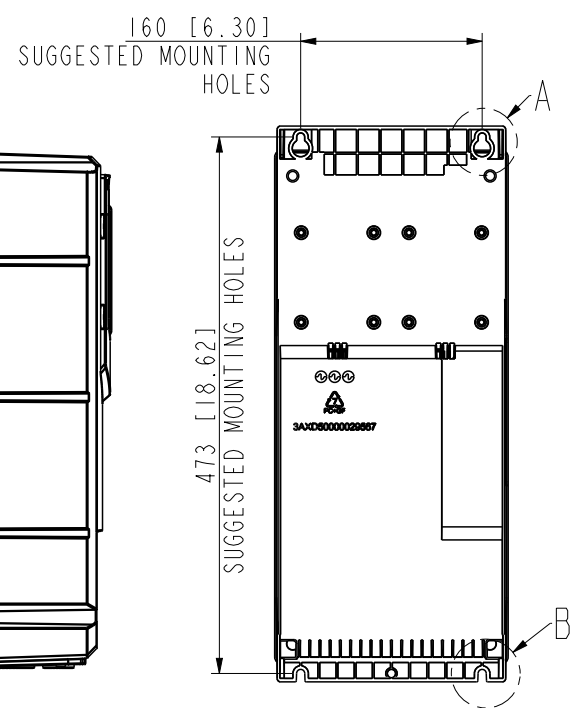
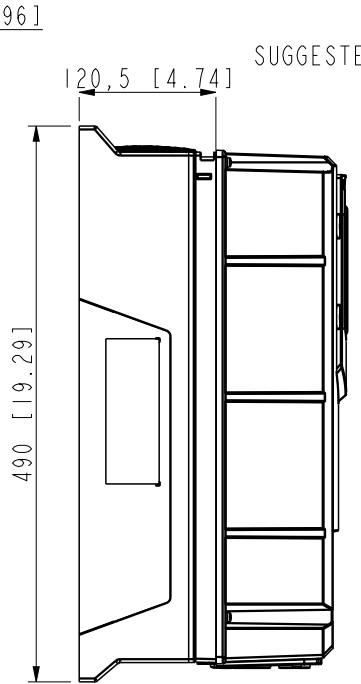
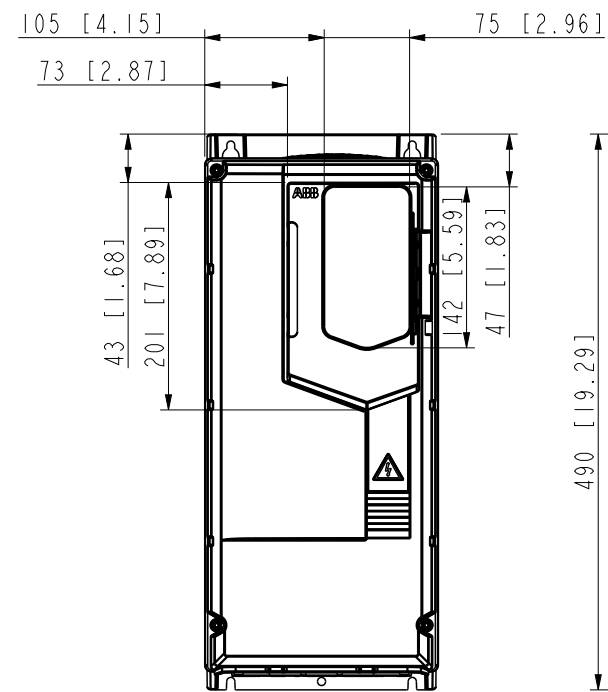
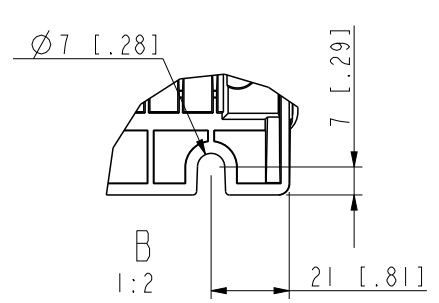
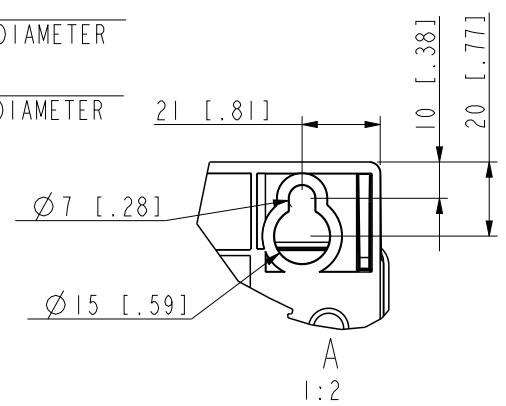
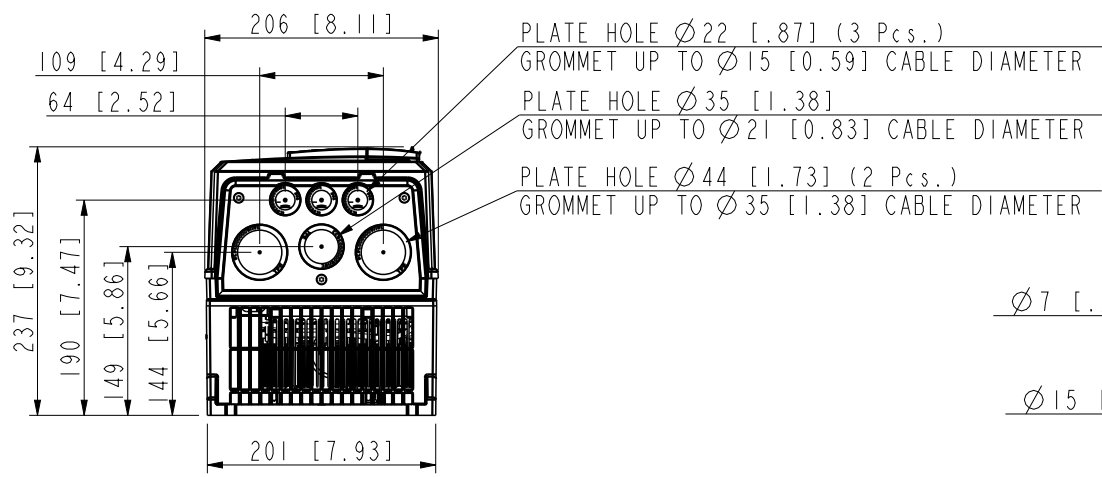


We reserve all rights in this document and in the information contained therein. Reproduction, use or disclosure to third parties without express authority is strictly forbidden.  
© ABB Oy. PROPRIETARY AND SECRET INFORMATION. CONFIDENTIAL

3AXD50000103980  
ACX580-01\_R3\_MAIN\_ASSEMBLY (ASSEMBLY)

First angle projection. Original drawing made with 3D CAD. Set the correct scale factor when adding dimensions after DWG/DXF conversion.

IP55



Based on	Prepared E. Peltoluhta	30-Mar-17
Customer	Check.	30-Mar-17
	Appr.	30-Mar-17
Cust. Doc. No.	Project name	
DMS Number	3AXD10000602519	Weight kg 605975.78

Title	DIMENSION DRAWING
	ACX580-01 R3 IP55
	ACX580-01



Doc. des.	Scale	Form	
DIMENSION DRAWING	3:20	A4	
Resp.dept.	Rev.ind.	- .1 (DR)	Lang. EN
Doc. No.	3AXD50000103980		Sheet 1
			Total 1