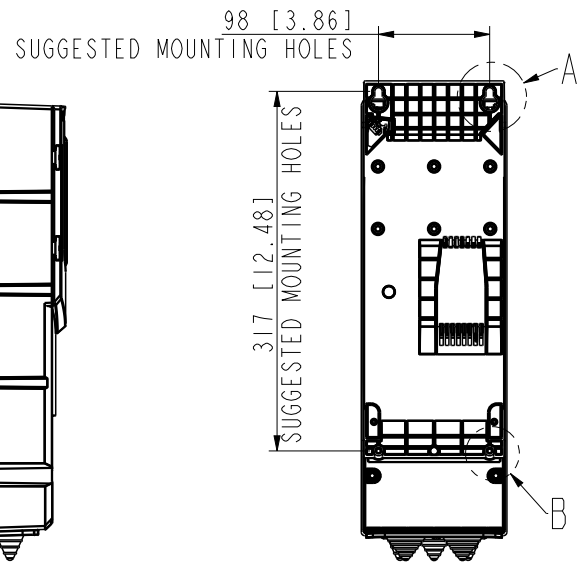
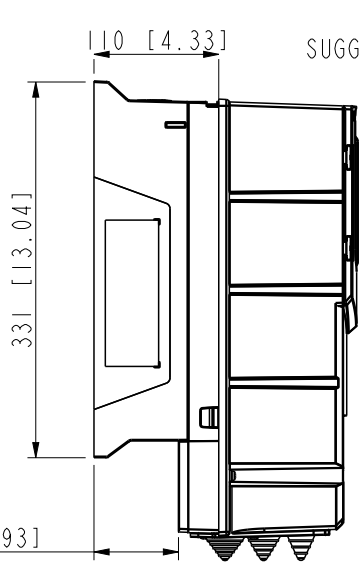
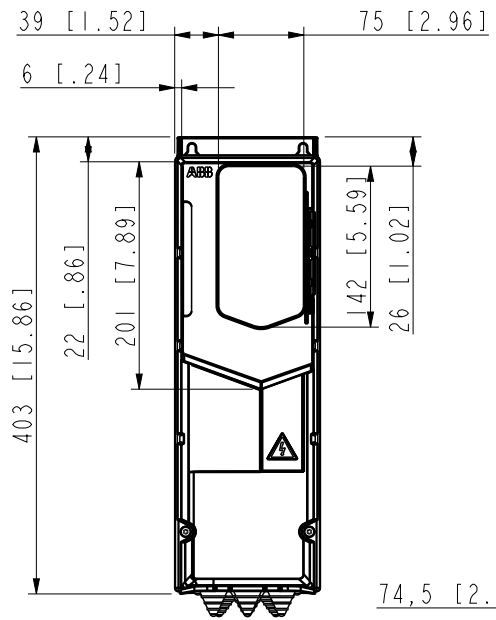
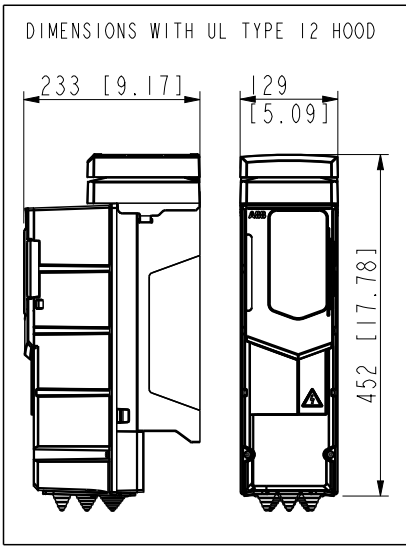
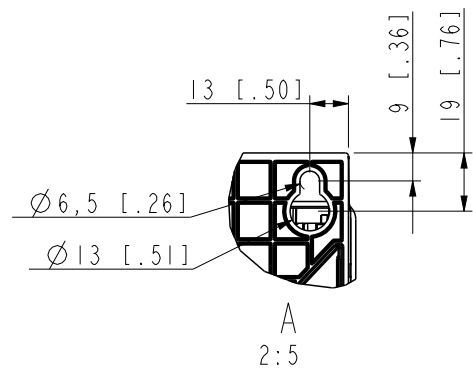
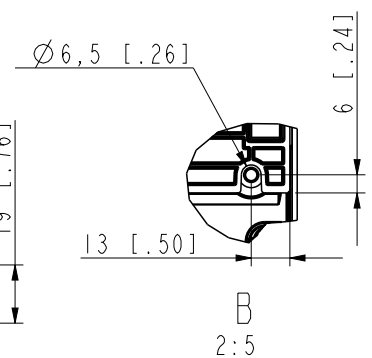
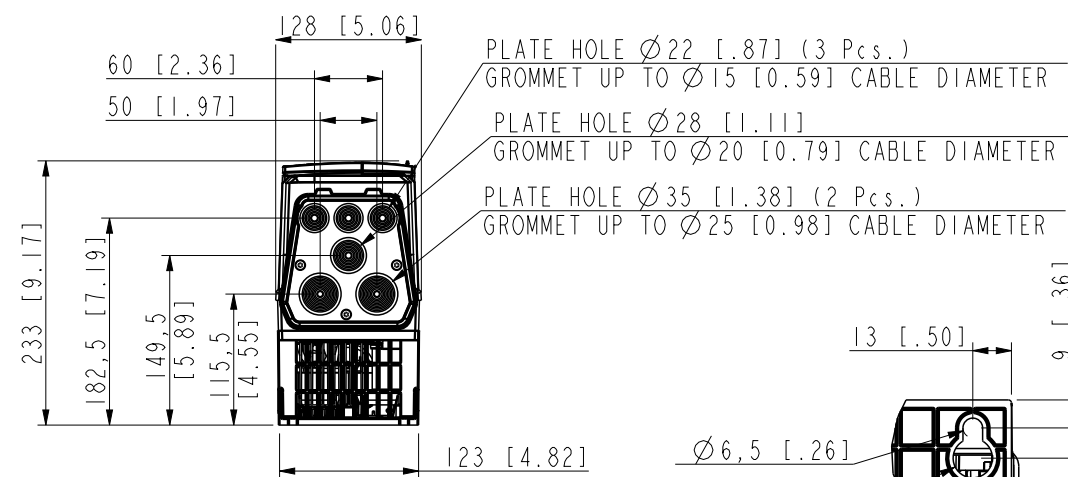


We reserve all rights in this document and in the information contained therein. Reproduction, use or disclosure to third parties without express authority is strictly forbidden.
 © ABB Oy. PROPRIETARY AND SECRET INFORMATION. CONFIDENTIAL
 3AXD50000102549
 TIMBER_RI_MAIN_ASSEMBLY (ASSEM) - .51
 - .2+

First angle projection. Original drawing made with 3D CAD. Set the correct scale factor when adding dimensions after DWG/DXF conversion.

IP55



Based on	Prepared E. Peltoluhta 27-Mar-17	Title DIMENSION DRAWING	Doc. des.	Scale 3:20	Form A4	
Customer	Check. 27-Mar-17	ACX580-01 RI IP55	DIMENSION DRAWING	Rev.ind. - .2 (DR)	Lang. EN	
Cust. Doc. No.	Appr. 27-Mar-17	ACX580-01	Resp.dept.	Doc. No. 3AXD50000102549		Sheet 1
DMS Number 3AXD10000601699	Project name	Weight kg 257851.61			Total 1	