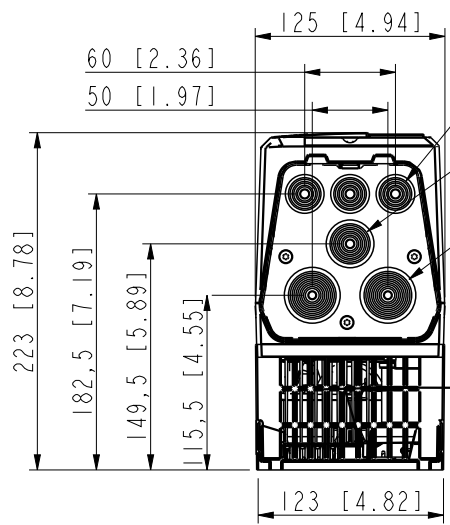


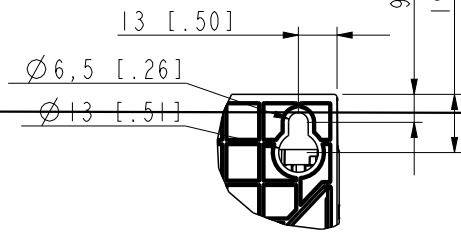
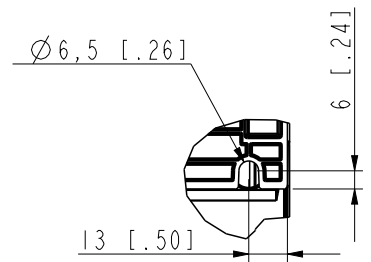
3AXD50000102303
 TIMBER_RI_MAIN_ASSEMBLY (ASSEM) -.5I
 Initial Approval
 We reserve all rights in this document and in the information contained therein. Reproduction, use or disclosure to third parties without express authority is strictly forbidden.
 © ABB Oy. PROPRIETARY AND SECRET INFORMATION. CONFIDENTIAL
 27-Mar-17 E. Peltoluhta

First angle projection. Original drawing made with 3D CAD. Set the correct scale factor when adding dimensions after DWG/DXF conversion.

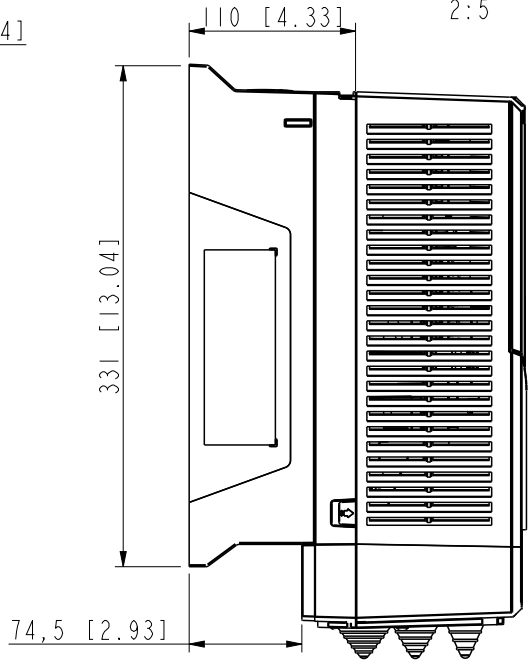
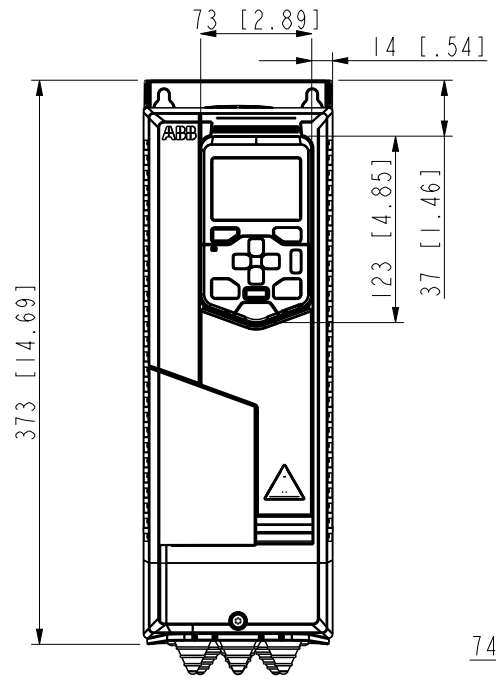
IP21



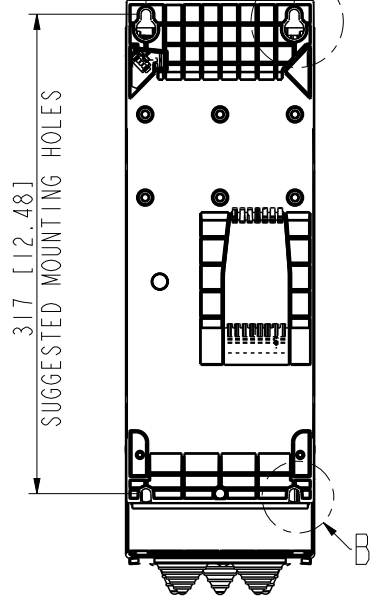
- PLATE HOLE $\varnothing 22$ [0.87] (3 Pcs.)
GROMMET UP TO $\varnothing 15$ [0.59] CABLE DIAMETER
- PLATE HOLE $\varnothing 28$ [1.11]
GROMMET UP TO $\varnothing 20$ [0.79] CABLE DIAMETER
- PLATE HOLE $\varnothing 35$ [1.38] (2 Pcs.)
GROMMET UP TO $\varnothing 25$ [0.98] CABLE DIAMETER



A
2:5



98 [3.86]
SUGGESTED MOUNTING HOLES



Based on	Prepared	E. Peltoluhta	27-Mar-17
Customer	Check.		27-Mar-17
	Appr.		27-Mar-17
Cust. Doc. No.	Project name		
DMS Number	3AXD10000601652	Weight kg	257851.61

Title	DIMENSION DRAWING
	ACX580-01 RI IP21
	ACX580-01



Doc. des.	Scale	Form	
DIMENSION DRAWING	1:5	A4	
Resp.dept.	Rev.ind.	-.0 (DR)	Lang.
Doc. No.	3AXD50000102303		EN
			Sheet
			1
			Total
			1