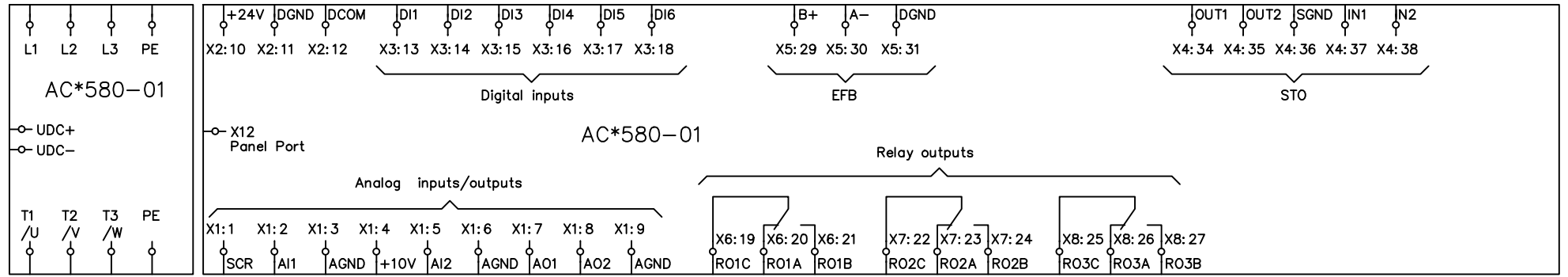


We reserve all rights in this document and in the information contained therein. Reproduction, use or disclosure to third parties without express authority is strictly forbidden. Copr. ABB Oy

Wiring Connection Diagram2



Cust. Doc. No.	Prep. 02.02.2015 Ahola Terho	Title WIRING CONNECTION DIAGRAM	Product Circuit Diagram	Item Des.
Cust. Ref. No.	App. 02.02.2016 Matinlauri Antti	ACS580-01, ACH580-01, ACQ580-01	EFS2	
Customer	Project	FRAMES R4-R5	Resp. Dept. EJO	Rev. Ind. A Sheet 2
ABB			ABB Ref. No.	Lang. Eng Cont. 3
			ABB Doc. No. 3AXD10000404024	