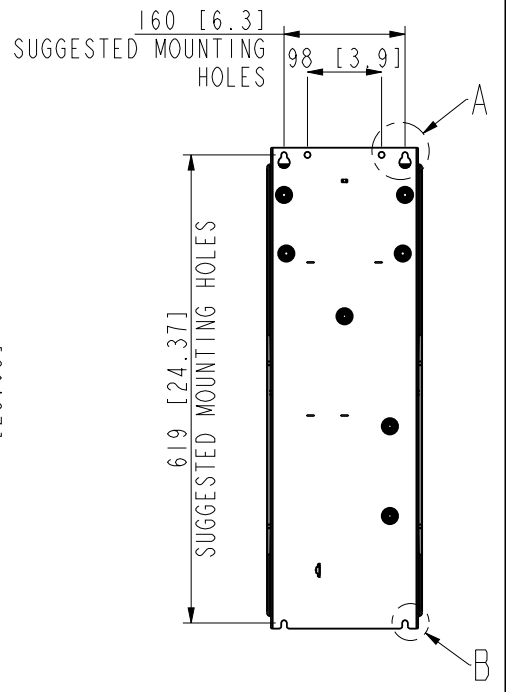
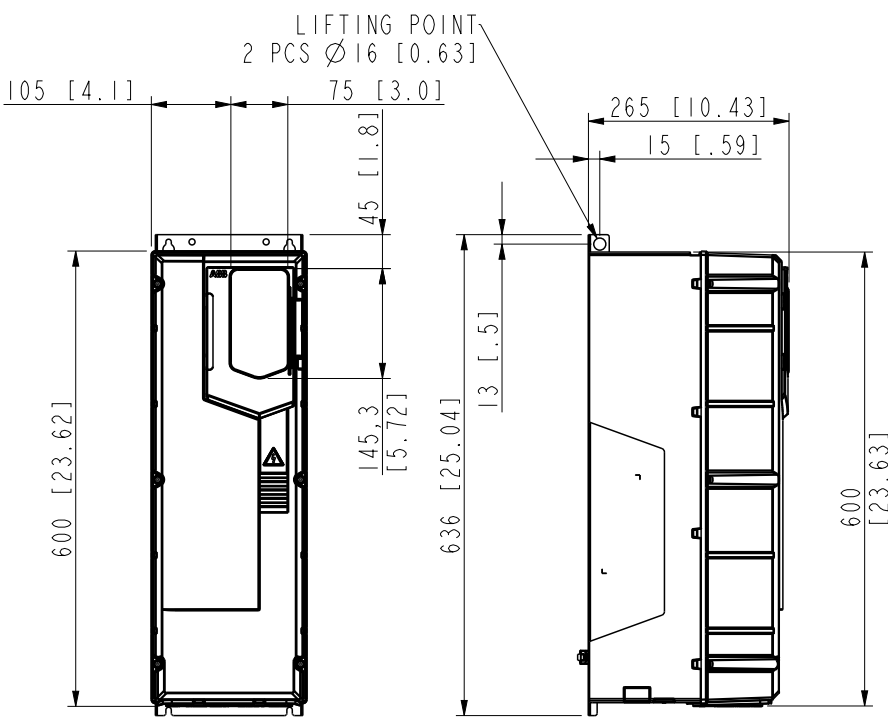
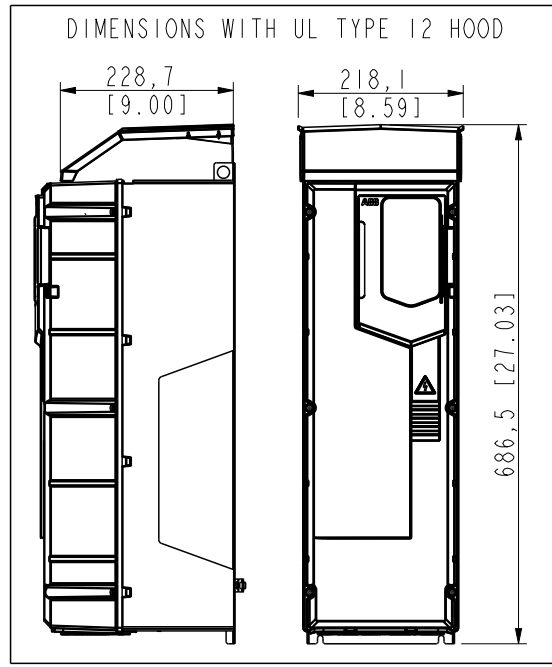
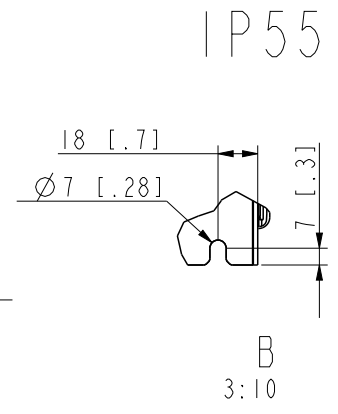
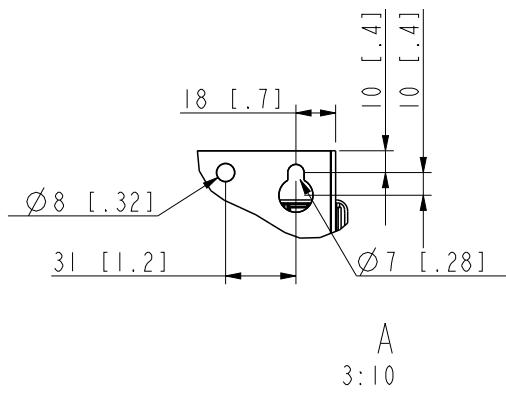
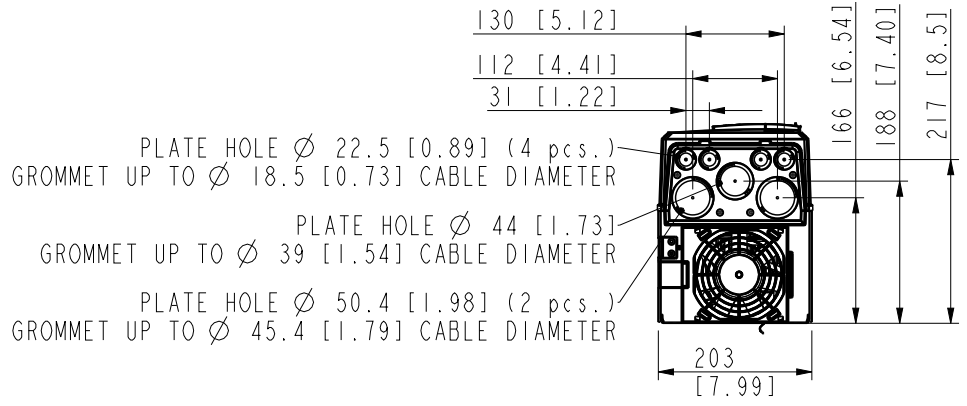


We reserve all rights in this document and in the information contained therein. Reproduction, use or disclosure to third parties without express authority is strictly forbidden.
 © ABB Oy. PROPRIETARY AND SECRET INFORMATION. CONFIDENTIAL
 *** Initial Approval
 Dimensions Updated

3AXD50000027258
 ACX580-01_R4_MAIN_ASSY (ASSEM) -.53+
 06-May-15 D.Crawley 500000650980
 09-Aug-16 A.Piirainen 500000746105

First angle projection. Original drawing made with 3D CAD. Set the correct scale factor when adding dimensions after DWG/DXF conversion.



Based on	Prepared	D.Crawley	06-May-15
Customer	Check.	J.Savolainen	09-Aug-16
	Appr.	J.Viman	09-Aug-16
Cust. Doc. No.	Project name		
DMS Number	3AXD10000427933		
	Weight kg		

Title DIMENSION DRAWING
 R4 IP55 DIMENSION DRAWING
 ACX580

ABB

Doc. des.	Scale	Form	
DIMENSION DRAWING	1:10	A4	
Resp.dept.	Rev.ind.	B (AP)	Lang. EN
Doc. No.	3AXD50000027258		Sheet 1
			Total 1