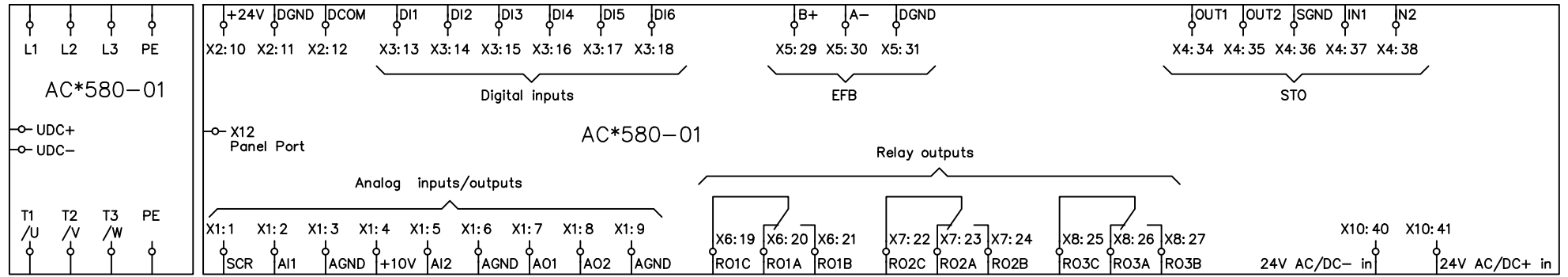


We reserve all rights in this document and in the information contained therein. Reproduction, use or disclosure to third parties without express authority is strictly forbidden. Copr. ABB Oy

Wiring Connection Diagram 3



Cust. Doc. No.	Prep. 02.02.2015 Ahola Terho	Title WIRING CONNECTION DIAGRAM ACS580-01, ACH580-01, ACQ580-01 FRAMES R6-R9 <b>ABB</b>	Product Circuit Diagram	Item Des.
Cust. Ref. No.	App. 02.02.2016 Matinlauri Antti		Resp. Dept. EJO	Rev. Ind. A Sheet 3
Customer	Project		ABB Ref. No.	Lang. Eng Cont. -
			ABB Doc. No. 3AXD10000404024	