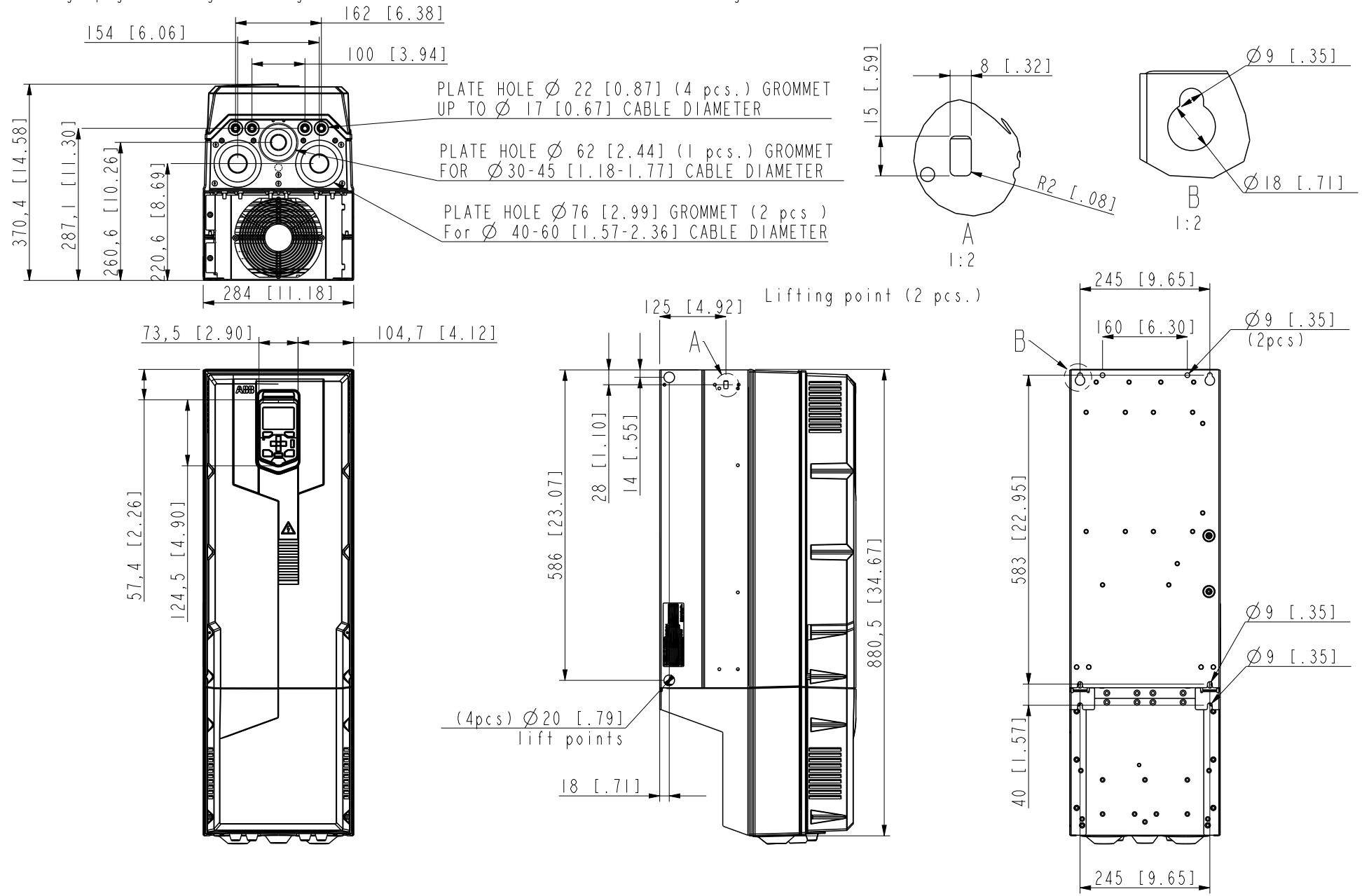


3AXD5000009133  
 ST\_MAIN-ASSEMBLY (ASSEM)  
 B.8+  
 -.125+  
 Initial Approval  
 Grommets dimension modified

500000466273  
 500000691868  
 I. Jutila  
 J. Zhuang  
 26-Aug-13  
 25-Nov-15

First angle projection. Original drawing made with 3D CAD. Set the correct scale factor when adding dimensions after DWG/DXF conversion.



|                            |                                 |                         |                             |                  |          |         |
|----------------------------|---------------------------------|-------------------------|-----------------------------|------------------|----------|---------|
| Based on                   | Prepared I. Jutila 26-Aug-13    | Title DIMENSION DRAWING | Doc. des. DIMENSION DRAWING | Scale 1:10       | Form A4  |         |
| Customer                   | Check. S. Poikolainen 08-Jan-16 | R7 DIMENSION DRAWING    | Resp. dept.                 | Rev. ind. B (AP) | Lang. EN |         |
| Cust. Doc. No.             | Appr. J. Savolainen 08-Jan-16   | ACX580                  | Doc. No. 3AXD5000009133     | Sheet 1          |          | Total 1 |
| DMS Number 3AXD10000258995 | Project name ACX580, R7         | Weight kg               |                             |                  |          |         |
|                            |                                 |                         |                             |                  |          |         |