

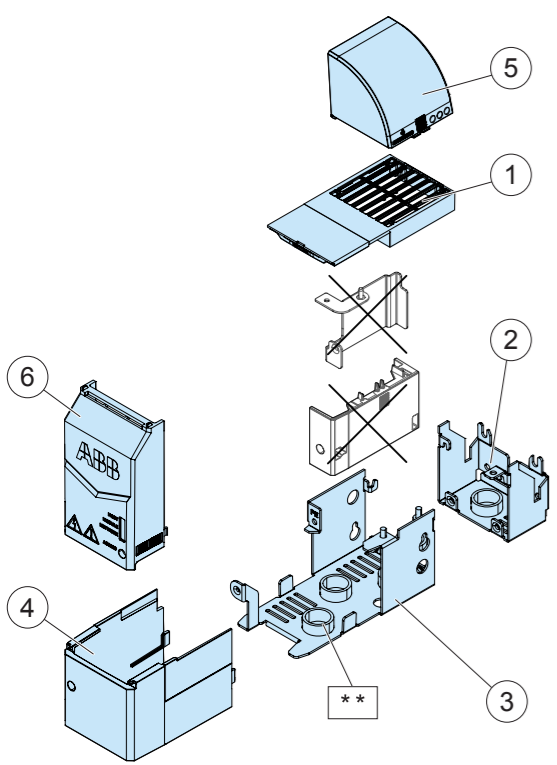
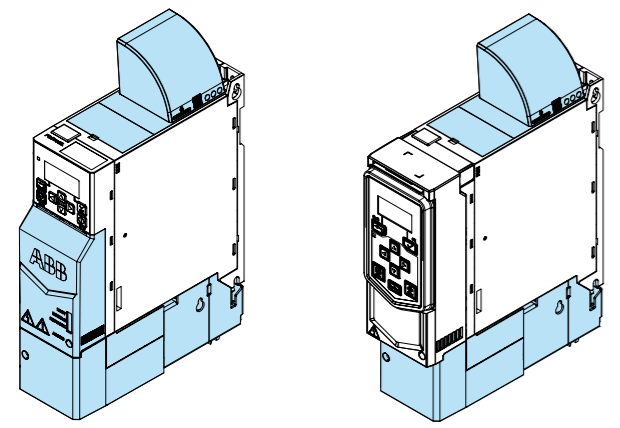
Installation guide

UL Type 1 kit for ACS380 and ACS480 drives, frames R0 to R2

3AXD50000235254 Rev D EN 2018-12-19

ACS380

ACS480 / ACH480*

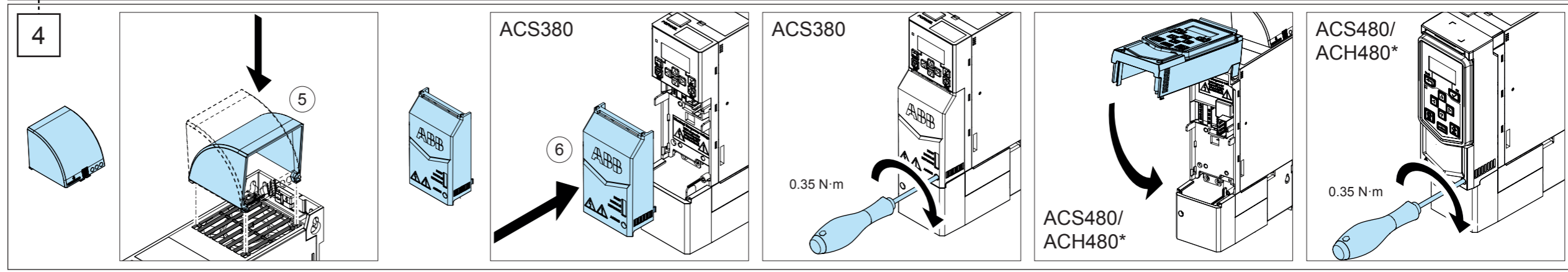
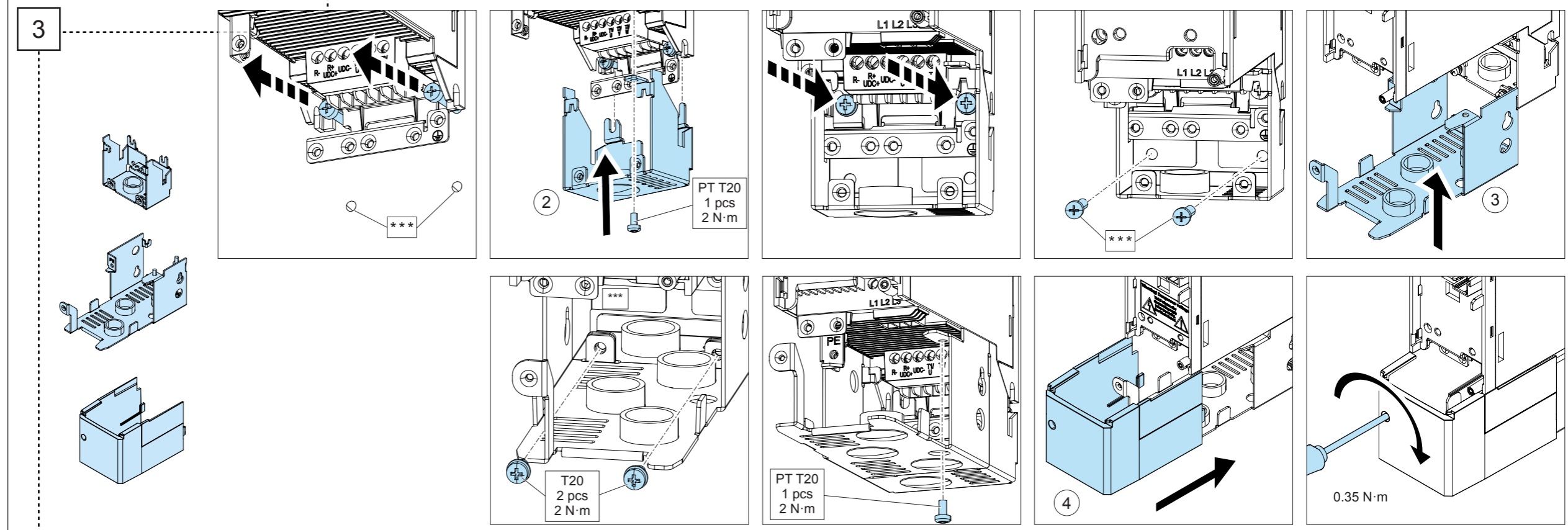
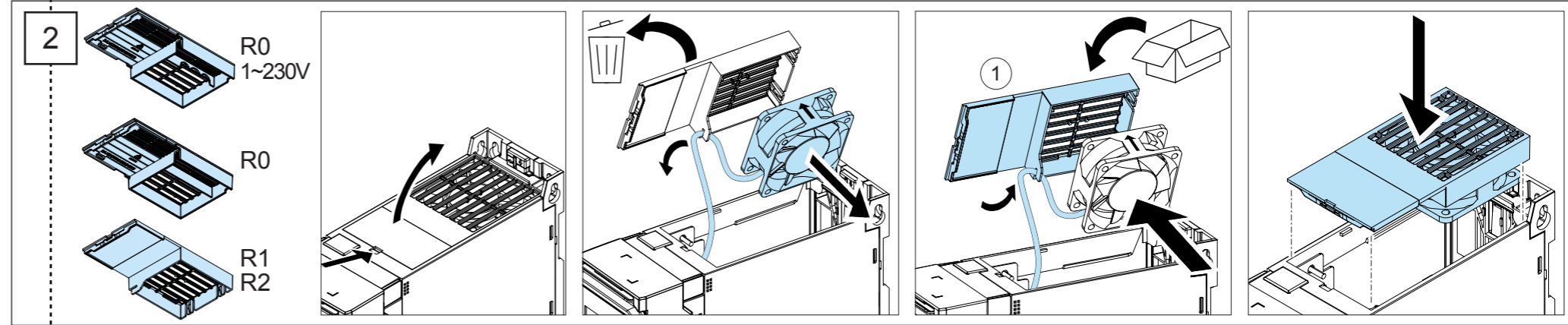
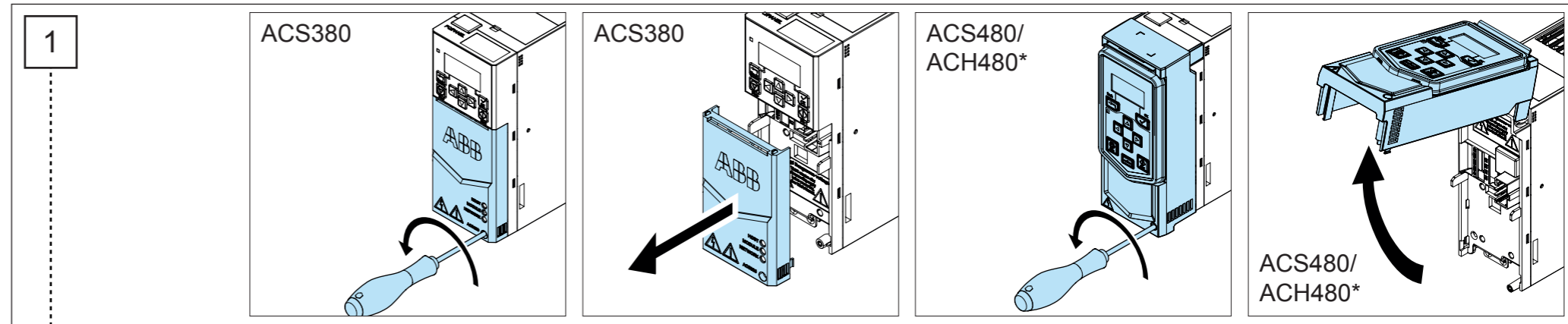


- T20 Torx, 2 pcs
- PT T20 Torx, 2 pcs

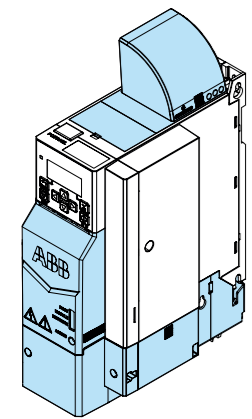
* = Also for ACS530, ACS560, ACH480 or similar.

** = Insert plastic plugs into unused conduit plate holes. Plastic plugs are included in the delivery.

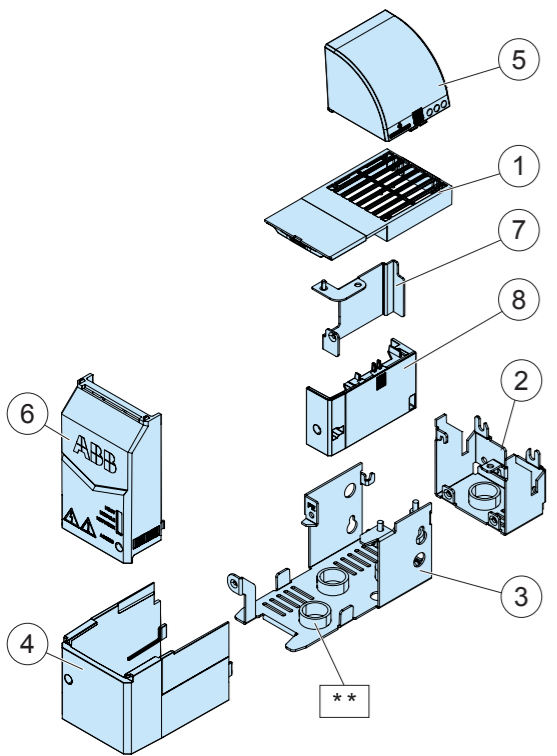
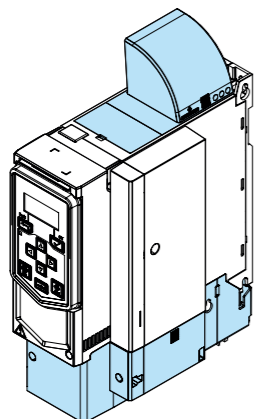
*** = Make two holes for the wall/ base fastening (if not yet done). The fastening screws are user-defined. They are not included in the delivery.



ACS380 with BTAC (option +L535) or BREL (option +L511)



ACS480 / ACH480* with BTAC (option +L535) or BREL (option +L511)



- T20 Torx, 2 pcs
- PT T20 Torx, 2 pcs

* = Also for ACS530, ACS560, ACH480 or similar.

** = Insert plastic plugs into unused conduit plate holes. Plastic plugs are included in the delivery.

*** = Make two holes for the wall/ base fastening (if not yet done). The fastening screws are user-defined. They are not included in the delivery.

