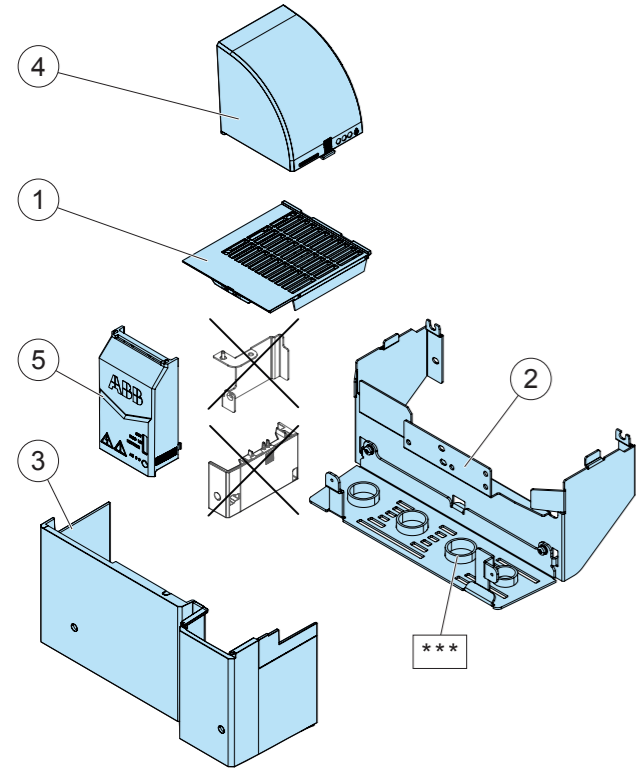
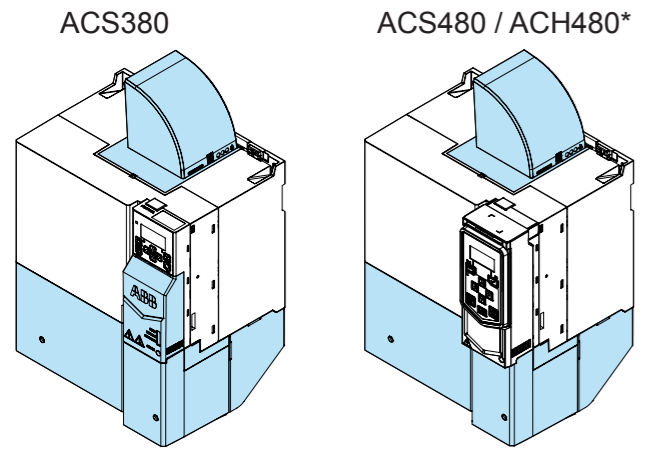


Installation guide

UL Type 1 kit for ACS380 and ACS480 drives, frames R3 to R4

3AXD50000242375 Rev D EN 2018-12-19



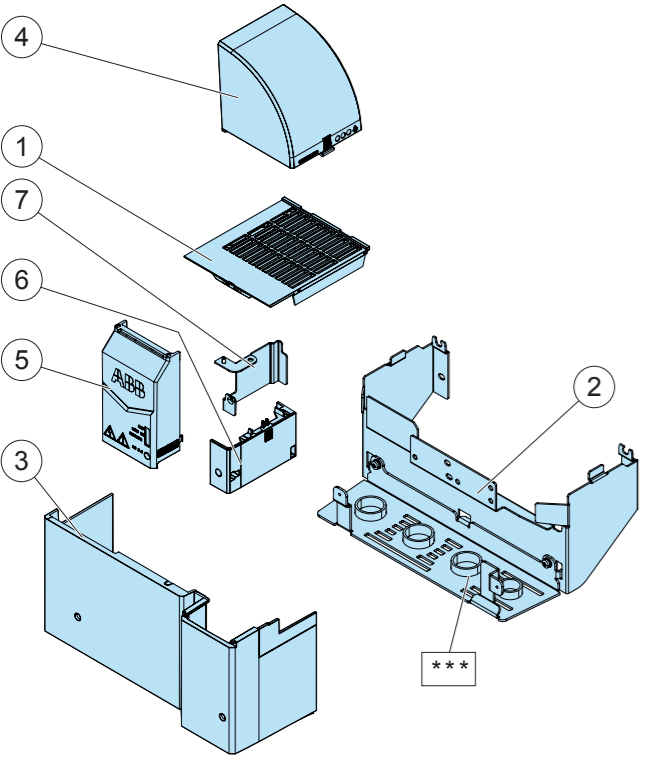
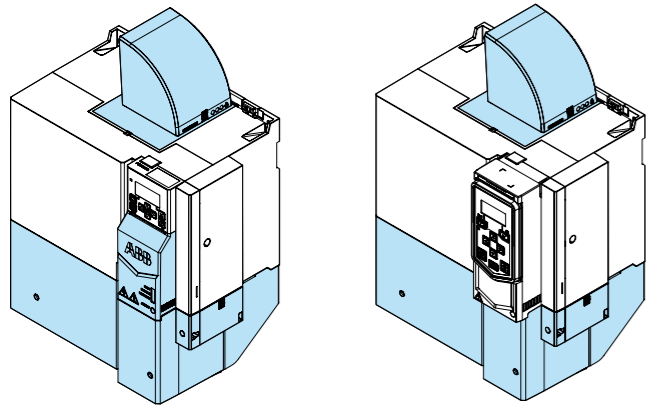
T20 Torx, 2 pcs

* = Also for ACS530, ACS560, ACH480 or similar.
 ** = Make two holes for the wall/base fastening (if not yet done), and attach the fastening screws. The screws are user-defined. They are not included in the delivery.
 *** = Insert plastic plugs into unused conduit plate holes. Plastic plugs are included in the delivery.

<p>1</p>	<p>ACS380</p>	<p>ACS380</p>	<p>ACS480/ ACH480*</p>	<p>ACS480/ ACH480*</p>
<p>2</p> <p>Only R3</p>				
<p>3</p>				<p>T20 2 pcs, 2 N·m</p> <p>**</p>
<p>4</p>		<p>ACS380</p> <p>0.35 N·m</p>	<p>ACS480/ ACH480*</p>	<p>ACS480/ ACH480*</p> <p>0.35 N·m</p>

ACS380 with
BTAC (option +L535) or
BREL (option +L511)

ACS480 / ACH480* with
BTAC (option +L535) or
BREL (option +L511)



 T20 Torx, 2 pcs

* = Also for ACS530, ACS560, ACH480 or similar.

** = Make two holes for the wall/base fastening (if not yet done), and attach the fastening screws. The screws are user-defined. They are not included in the delivery.

*** = Insert plastic plugs into unused conduit plate holes. Plastic plugs are included in the delivery.

