

Vibration Damper Installation Guide

ACS800-01-0016-2...-0070-2, -0025-3...-0165-3, -0030-5...-0205-5, -0011-7...-0205-7
ACS800-U1-0016-2...-0070-2, -0030-5...-0205-5, -0011-7...-0205-7
ACS800-11, ACS800-U11, ACS800-31, ACS800-U31

+C131

Vibration dampers

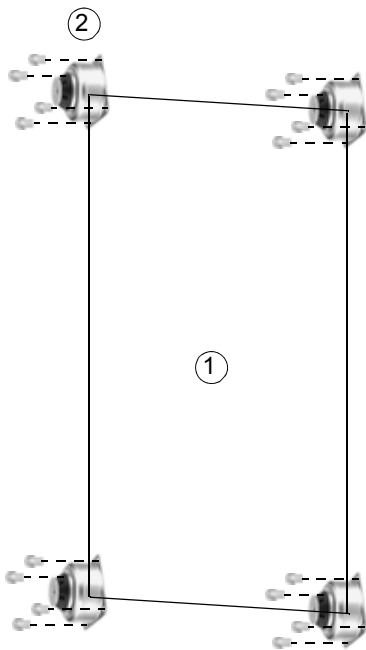
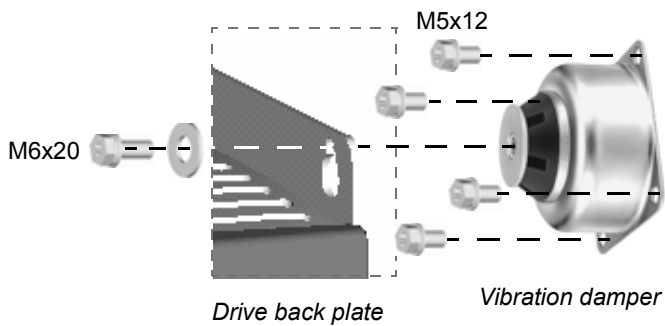
This guide concerns the following vibration dampers:

- GC3-35MS (kit code 68295556) for frame sizes R4 and R5 of ACS800-01 and ACS800-U1 units
- GC3-50MS (kit code 68295581) for frame size R6 of ACS800-01 and ACS800-U1 units and for frame sizes R5 and R6 of ACS800-11, ACS800-U11, ACS800-31 and ACS800-U31 units.

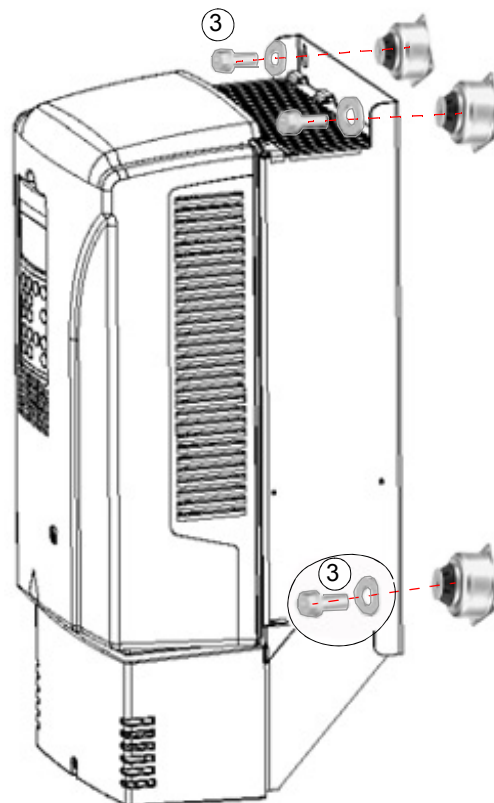
The dampers are recommended for marine, compressor and other applications where the drive will be subjected to vibration.

Fastening procedure

1. Mark the fastening points to the wall. For the locations, see the dimensional drawings in the *ACS800-01/U1 Hardware Manual* [3AFE64382101 (English)], *ACS800-11/U11 Hardware Manual* [3AFE68367883 (English)] or *ACS800-31/U31 Hardware Manual* [3AFE68599954 (English)].
2. Fasten the vibration dampers to the wall with four screws using the template on the next page for the alignment.
3. Fasten the drive to the vibration dampers with M6×20 screws through the fastening holes at the back of the unit.

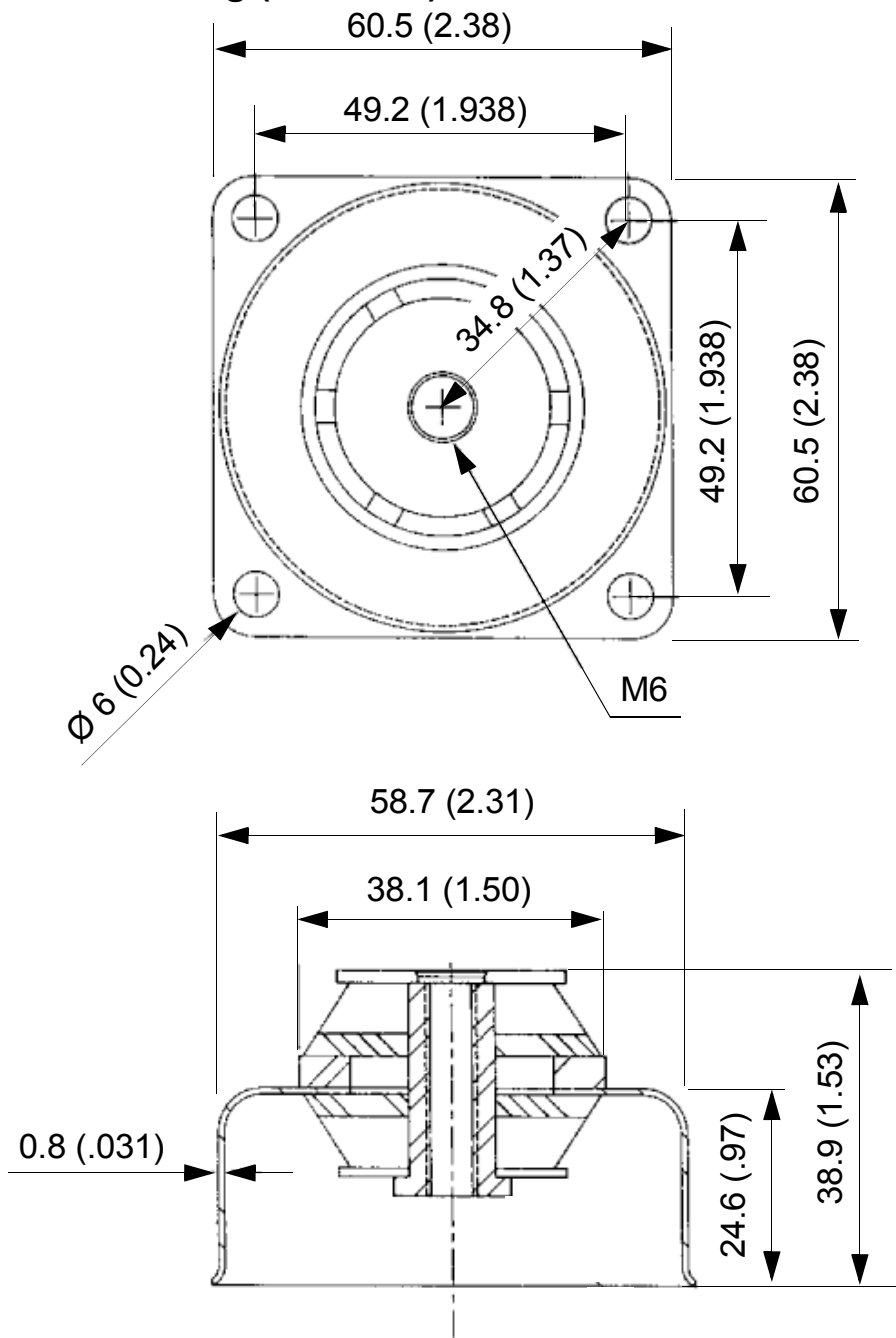


View of fastening the vibration dampers to wall



View of fastening the drive to wall

Note for ACS800-11/U11 and ACS800-31/U31 units of frame size R6: Use six vibration dampers (three at the top edge and three at bottom edge). Two damper kits are needed for one drive. Three damper kits are needed for two drives.

Dimensional drawing (scale 1:1)



3AFE68295351 Rev B EN
EFFECTIVE: 23.3.2007

ABB Oy

AC Drives

P.O. Box 184

FI-00381 HELSINKI

FINLAND

Telephone +358 10 22 11

Fax +358 10 22 22681

Internet www.abb.com

ABB Inc.

Automation Technologies

Drives & Motors

16250 West Glendale Drive

New Berlin, WI 53151

USA

Telephone 262 785-3200

800-HELP-365

Fax 262 780-5135

ABB Beijing Drive Systems Co. Ltd.

No. 1, Block D, A-10 Jiuxianqiao Beilu

Chaoyang District

Beijing, P.R. China, 100015

Telephone +86 10 5821 7788

Fax +86 10 5821 7618

Internet www.abb.com