

CATALOG

Softstarters

PSR, PSE and PSTX



Motors use almost one third of the world's generated electricity. So it is safe to say that reliable motor operation is crucial to our modern way of life.

Contents

04	ABB softstarters
06	Common applications for softstarters
08	Motor starting
12	Softstarters portfolio
16	Wall mounting
17	Certifications and approvals
18	PSR
29	PSE
41	PSTX
60	Fieldbus communications
62	Marketing materials and tools
64	Services to match your needs

ABB softstarters

How we are helping the industry

A softstarter from ABB offers you several values and benefits. Whether you are a consultant, OEM, panel builder or end-user, A softstarter will add to your business value by securing motor reliability, improving installation efficiency and increasing application productivity.



SECURE
MOTOR
Reliability

ABB softstarters help increase your motors lifetime by protecting it from electrical stress. Starting currents are easily optimized to your load, application and motor size. Over ten motor protection features are included to keep your motor safe from different load and network irregularities.



IMPROVE
INSTALLATION
Efficiency

Reduce your installation time and panel size by having all features you need built into your softstarter. Our softstarters are easy to install thanks to their compact design and many built-in features. The built-in bypass saves energy and space while reducing heat generation. A complete motor starting solution in one unit.



INCREASE
APPLICATION
Productivity

Reduce the number of stops in your production by allowing your softstarter to do more than just starting. Our softstarters reduce the mechanical stress on your motor application, which will increase your uptime. Torque control, pump cleaning, motor brake and many other features enable you to operate your process at its full potential.



Xylem - South Africa

ABB softstarters providing efficiency to the mining industry

One of Xylem's water solutions helps to prevent flooding in mines. Previous softstarters needed a lot of extra protection equipment. Xylem was looking for a simpler solution that would ensure reliability even at 3,500 meters depth. Reducing the number of components by 80 percent, shortened installation time by 60 percent. Costs cut to half has helped Xylem sell twice as many panels with softstarters as before.



Installation time reduced by **60%**



Total panel cost reduced by **50%**

For more examples of how ABB softstarters are helping the industry, visit: <https://new.abb.com/drives/softstarters-campaigns>

Common applications for softstarters

Pumps, fans, compressors and conveyors

A softstarter can do wonders with your operations. Packed with useful features, it reduces the wear of your equipment, improve the reliability of your processes and increase overall productivity.



01 Softstarters controlling pumps



02 Softstarters controlling fans

Pump

Eliminating water hammering with torque control

Water hammering is a common problem with pumps and typically results in wear in pipes and valves when starting and stopping the pump. The ABB softstarter feature torque control provides a soft pipe fill during start and eliminates water hammering during stop. The benefits are prolonged lifetime of the system and increased uptime.

Keep pipes and pumps clean

Many pumps risk getting clogged over time. This will cause reduced flow and increased risk of pump damage. Thanks to the feature to reverse the direction of the flow and start again with kick-start, ABB softstarters can help prevent and solve pump clogging and associated downtime.

Avoid running dry with underload protection

Damages due to pumps running dry can be avoided with the softstarter feature dry pump protection, called underload protection. It stops the motor which saves the pump from additional wear and contributes to prolonging its lifetime.

01



Fans

Soft starting adjusted to application

Fans normally have a high moment of inertia, which makes starting tough and current high. Using an ABB softstarter, the voltage is increased gradually during start, which reduces the current and removes the inrush peak. It is possible to adjust the settings to fit almost any starting condition, from unloaded to fully loaded.

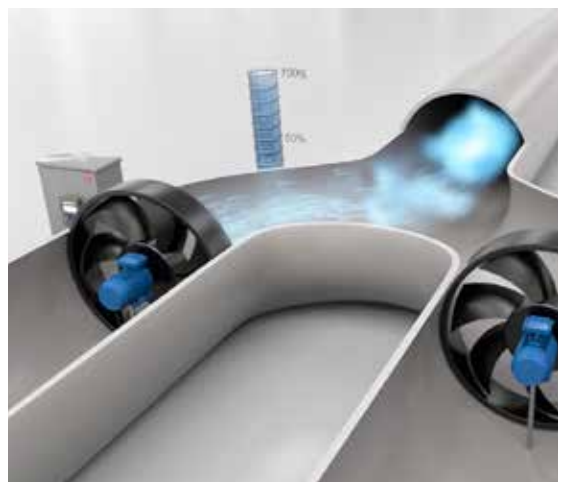
Fast stops with motor braking

It can also take a long time to stop a fan. With the dynamic brake feature, also called flux braking, the stopping time can be reduced. This improves process safety when the load has a high moment of inertia and makes fan operation easier for the operator.

Avoid unwanted movements with stand still brake

An idle fan that is rotating backwards, due to wind or airflow from another fan, can be kept still using the stand still brake. It prevents unwanted airflow and improves the control of the system without the need for an external mechanical brake.

02





03 Softstarters controlling compressors



04 Softstarters controlling conveyor belts

Compressors

Full control of current with current limit

Many applications are sensitive to high or variable starting currents. The feature current limit makes it possible to start the motor securely even in a weaker network, improving the availability of the equipment and system. Reducing the current means reducing the stress on cables, network and motor.

Full voltage start for scroll compressors

For scroll compressors it is often necessary to start the motor in a very short time while still maintaining a low starting current. Full voltage start is a start mode that gives you almost a direct start but without the current peak.

Phase reversal protection for problem-free commissioning

A motor rotating in the wrong direction, which may occur due to connecting the phases wrongly, may cause severe damage to a compressor. Using phase reversal protection, the motor won't start in the wrong direction, avoiding costly compressor downtime and repairs.

03



Conveyors

Avoid overheating with overload protection

Too much material on a conveyor belt may cause overload and overheating, reducing the reliability and longevity of the motor. ABB's overload protection feature shuts down the motor in case of overload, avoiding overheating.

Increased flexibility with jog with slow speed

After stopping the belt, it may be necessary to run the motor at low speed to correctly position the belt before resuming operation. The jog with slow speed feature makes it possible to position the belt manually, in both forward and reverse direction, before re-starting the belt. This improves process efficiency and eliminates the need for a variable speed drive, a considerably more expensive solution for solving the problem.

Continuous operation with limp mode

Shorted thyristor is a possible problem for a softstarter, putting it out of operation until the component has been replaced. Using limp mode, the softstarter will continue to work with one thyristor shorted, avoiding costly unplanned stoppages.

04



Motor starting

Why motor starting and stopping matters

There are some common issues associated with starting and stopping electrical motors. Depending on requirement, different starting and stopping methods can be used.



Direct-on-line

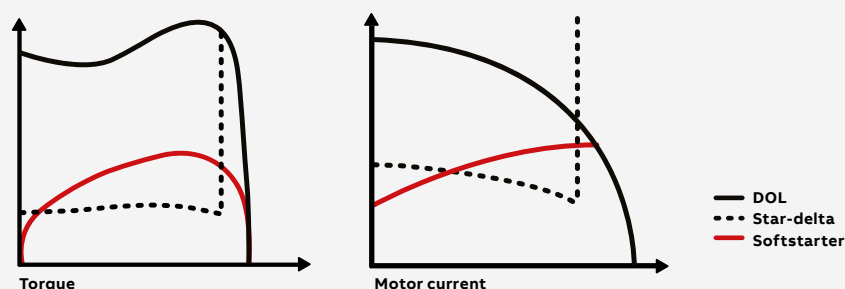
Direct-on-line starting (DOL) is the easiest and most commonly used starting method. It is suitable for stable networks and mechanically stiff and well-dimensioned shaft systems due to the high current and torque generated during start. DOL starting is uncontrolled, which means that the motor will start with maximum current and torque regardless of load type.



Star-delta

A star-delta starter reduces current and torque during start. The starting current is about one third compared to direct-on-line starting, although it also reduces the starting torque to about 25 percent. Star-delta is not adjustable, so if the torque is reduced too much, the motor will not start. Current peaks will happen when switching from star to delta connection.

Typical torque and current curves from starting a motor using DOL, star-delta and softstarter.





Softstarter

Like direct-on-line and star delta starters, softstarters are used to start and stop motors in full-speed applications. It eliminates common problems associated with motor starting and stopping, including electrical surges, spikes and high inrush currents. Because it offers soft starting and stopping, a softstarter is the optimal compromise between a direct-on-line or star-delta starter and a variable speed drive in many full-speed motor applications.



Variable speed drive

Like a softstarter, a variable speed drive (VSD) can perform soft motor starting and stopping. However, the VSD was designed primarily to control motor speed, resulting in energy efficient motor operation in variable speed applications. Using a VSD with the sole purpose of ensuring soft starting and stopping of full-speed motors can therefore be considered an unnecessarily advanced solution.

Comparison between different starting methods

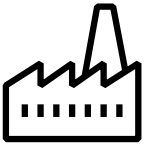
The table below describes which problems are prevented, using the most common starting methods.

Comparison	Starting method type			
	Direct on line DOL	Star-delta start Y/D	Softstarter	Drive
Reduce high inrush current	No	Yes	Yes	Yes
Reduce heavy wear on bearings, shafts, gear boxes, etc	No	Reduced	Yes	Yes
Prevent slipping belts	No	Reduced	Yes	Yes
Remove torque/current peaks	No	No	Yes	Yes
Prevent water hammering in piping system	No	No	Yes	Yes
Need of variable speed control	No	No	No	Yes

ABB softstarters

A part of your motor starting solution

Motor starting requires several components to work perfectly together. ABB is a one-stop shop for motor starting, offering all the necessary components and complete motor starting solutions, proven together in numerous installations worldwide.



Can I use a softstarter for an ATEX motor?

ABB softstarter PSTX can be used to start ATEX classified motors in Ex environments if the following considerations are taken into account:

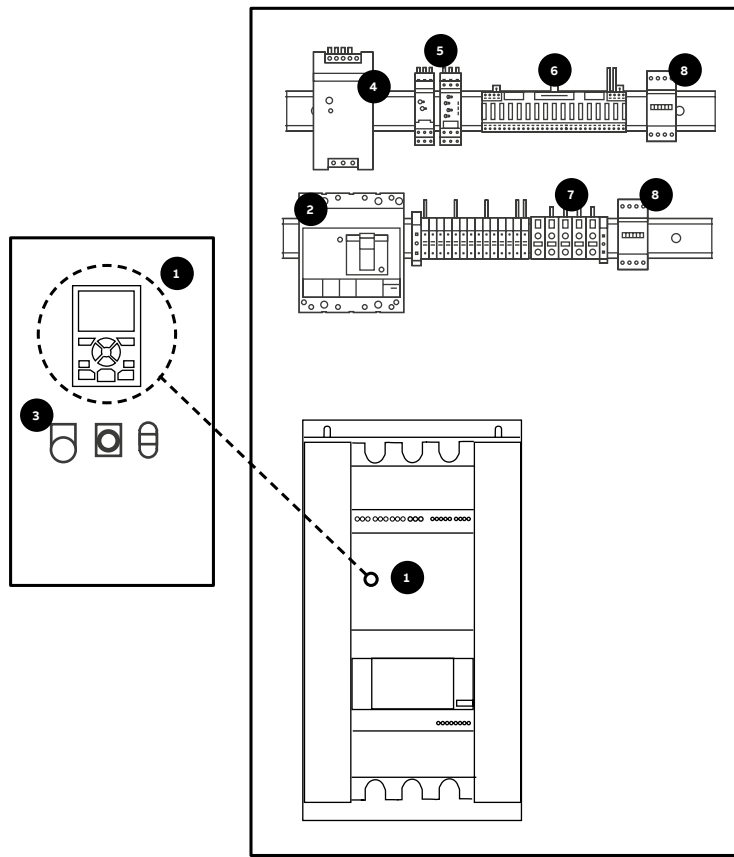
- The softstarter has to be placed outside the Ex area. Either in another location or inside an ATEX approved panel.
- A separate ATEX approved overload relay from ABB has to be used together with a line contactor. This overload relay will replace the built-in EOL in The softstarter and has an ATEX approved tripping curve.
- Select softstarter according to normal or heavy-duty start depending on application and line contactor and overload relay with type 2 coordination.



Can I use a softstarter on a ship?

ABB softstarters PSE and PSTX have marine approvals and are certified for marine environment.

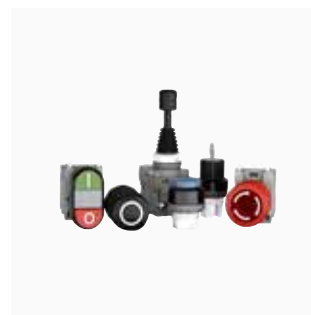
Ships uses IT-networks which means that there is a floating electrical ground. It is possible to use an ABB softstarter in such a network but it is recommended to not connect the functional ground on the softstarter to the ship to avoid disturbances from the network to effect the electronics inside the softstarter.



01 Softstarter
 - Soft start and stop with reduced current
 - Features to improve process productivity
 - Detachable keypad for front door mounting on a panel



02 Short circuit breaker MCCB
 - Short circuit protection of motor
 - Possibility for electrical isolation



03 Pilot devices
 - Remote control of motor
 - Indication of Softstarter and motor status with light and sound
 - Emergency stop of motor



04 Power supply CP-E
 - Possible to use 24V AC/DC equipments in the panel, e.g. PLC



05 Liquid level monitoring relays CM-ENS
 - Monitoring and signalling the water level



06 PLC AC500
 - Automatic control
 - Remote communication



07 Terminal blocks SNK range
 - Easy installation of control wires



08 Line contactor AF
 - Isolation at stop
 - Isolation at faults
 - Emergency stop
 - Back-up DOL starter

Softstarters portfolio

Overview



PSR - The compact range

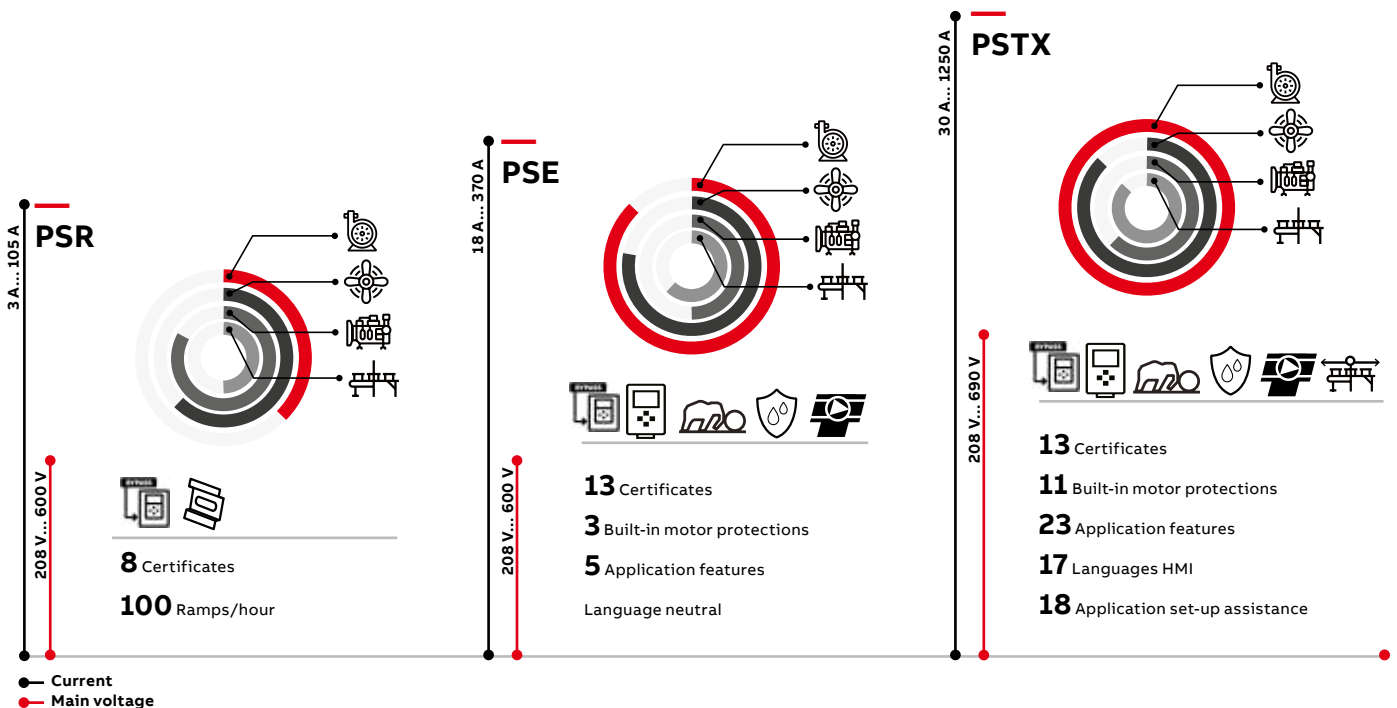
PSR is our most compact softstarter with basic benefits and values. PSR can handle up to 100 starts per hour. Suitable for small motors.

PSE - The efficient range

The new generation PSE is a true general purpose softstarter. It's a perfect balance between high starting capacity and cost efficiency. Now featuring built-in fieldbus communication.

PSTX - The advanced range

PSTX is our most advanced softstarter with full control and motor protection built-in. PSTX is the most complete alternative for any motor starting application. Featuring built-in modbus and anybus modules that support all major communication protocols.



Softstarters selection

ABB softstarters offering consists of three ranges, covering every need. The products help you secure motor reliability, improve installation efficiency and increase application productivity.



PSR – The compact range

- When soft start and stop benefits and values are requested
- When operating a small motor
- When up to 100 starts per hour are requested

PSE – The efficient range

- When there is limited space
- When common softstarter functions and protections are needed
- When communication is needed

PSTX – The advanced range

- When full control and motor protection is needed
- When an advanced softstarter with an extensive functionality is needed
- When motor is connected inside delta or in 690 V

Step Process

1 Determine softstarter series

First, determine the softstarter series that fulfill the needs of the application and motor. Use the guide on the left to explore the three series and the power range each one covers.

2 Match the softstarter size with the motor current

When the softstarter series is selected, the correct size should now be determined.

The selection of a softstarter is based on the current. Find the softstarter that corresponds to the motor current.

3 Fine tune and select the correct size

The last step is to fine tune the selection, and there are three different factors to consider:

- Normal or a heavy load: If the load is characterized as a heavy load, select the next size softstarter in the series.
- High ambient temperature
- High altitude

Use the equations and the table on the right to find the correct de-rating equation.

Note: If the application is more complicated and there are specific requirements on acceleration time, maximum starting current or many starts per hour, the software proSoft should be used for a fine tuned selection.

Altitude formula

De-rate for altitudes between 1000-4000 m or 3280-13123 ft with the following equations for all softstarters:

In meters: % of I_e = 100 – (x-1000)/150

In feet: % of FLA = 100 – (y-3280)/480

Where x/y is the actual altitude in m/ft

Temperature equations

PSTX and PSR In Celsius: 40...60 oC: Reduce I_e with 0.8%/oC

PSTX and PSR In Fahrenheit: 104...140 oF: Reduce FLA with 0.44%/oF

PSE In Celsius: 40...60 oC: Reduce I_e with 0.6%/oC

PSE In Fahrenheit: 104...140 oF: Reduce FLA with 0.33%/oF

Typical applications

Normal duty start

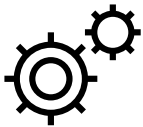
Bow thrusters
Centrifugal pump
Compressors
Conveyor belt (short)
Elevator

Heavy duty

Centrifugal fan
Conveyor belt (long)
Crusher
Stirrer
Sawmill

Softstarters benefits and features

Case studies



SECURE MOTOR Reliability

Increase your motors lifetime...

With ABB softstarters, starting currents are easily optimized to your load, application and motor size.

...by protecting it from electrical stresses.

Over ten motor protection features are included to keep your motor safe from overloads and network irregularities.

RHOSS keeps air flowing with secured reliability

RHOSS, an HVAC specialist from Italy has managed to reduce the starting currents by 60% while keeping the short starting time that a scroll compressor needs.

Starting currents reduced by 60%



IMPROVE INSTALLATION Efficiency

Reduce your installation time and panel size...

ABB softstarters are easy to install thanks to their compact design and many built-in features.

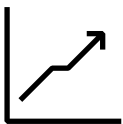
...by having everything that you need built in.

Built-in bypass saves energy and space while reducing heat generation: a complete motor starting solution in one unit designed and verified by ABB.

Xylem - South Africa ABB softstarters providing efficiency to the mining industry

Xylem reducing the number of components by 80%, shortened installation time by 60%. Costs cut to half has helped Xylem sell twice as many panels with softstarters as before.

Total panel costs reduced by 50%



INCREASE APPLICATION Productivity

Reduce the number of production stops...

ABB softstarters reduce mechanical stress on your application which increases uptime.

...by letting the softstarter do more than just starting.

Torque control, pump cleaning, motor break and many more features enables you to use your process to its full potential.

Yantai Guhe cuts costs by stopping pumps

Increasing application productivity at Yantai Guhe, a leading Chinese pump manufacturer, increasing productivity by solved water hammering with PSE and are now saving costs and winning orders.

Reduced maintenance costs by 40%



Softstarter features	PSR	PSE	PSTX
Current limit	-	●	●
Current limit ramp and dual current limit	-	-	●
Electronic motor overload protection	-	●	●
Dual overload protection	-	-	●
Underload protection	-	●	●
Power factor underload protection	-	-	●
Locked rotor protection	-	●	●
Current/Voltage imbalance protection	-	-	●
Phase reversal protection	-	-	●
Customer defined protection	-	-	●
Motor heating	-	-	●
PTC/PT100 input for motor protection	-	-	●
Overvoltage/undervoltage protection	-	-	●
Earth-fault protection	-	-	●

● = standard, ○ = option, - = not available



Softstarter features	PSR	PSE	PSTX
Built-in bypass	●	●	●
Inside-delta connection possible	-	-	●
Graphical display and keypad	-	●	●
Detachable keypad	-	-	●
Motor runtime and start count	-	-	●
Programmable warning functions	-	-	●
Diagnostics	-	-	●
Overload time-to-trip	-	-	●
Overload time-to-cool	-	-	●
Analog output	-	●	●
Fieldbus communication	○	●	●
Event log	-	○	●
Multiple languages	-	-	17
Electricity metering	-	-	●

● = standard, ○ = option, - = not available



Softstarter features	PSR	PSE	PSTX
Torque control	-	●	●
Torque limit	-	-	●
Coated PCBA	-	●	●
Limp mode	-	-	●
Jog with slow speed forward/ reverse	-	-	●
Dynamic brake	-	-	●
Stand still brake	-	-	●
Sequence start	-	-	●
Full voltage start	-	-	●
Kick start	-	●	●
Automatic pump cleaning	-	-	●

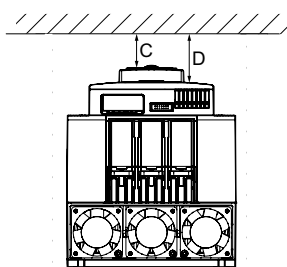
● = standard, ○ = option, - = not available

Wall mounting

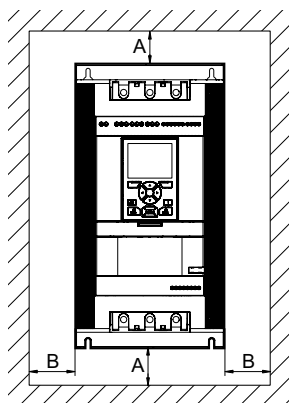
Instructions

Product	Minimum distance to wall mm (in)			
	A	B	C	D
PSR				
PSR3 ... PSR16	0	0	25 (0.98)	N/A
PSR25 ... PSR30	0	0	25 (0.98)	N/A
PSR37 ... PSR45	0	0	25 (0.98)	N/A
PSR60 ... PSR105	0	0	25 (0.98)	N/A
PSE				
PSE18 ... PSE105	100 (3.94)	10 (0.39)	20 (0.79)	N/A
PSE142 ... PSE170	100 (3.94)	10 (0.39)	20 (0.79)	N/A
PSE210 ... PSE370	100 (3.94)	10 (0.39)	20 (0.79)	N/A
PSTX				
PSTX30 ... PSTX105	100 (3.94)	10 (0.39)	20 (0.79)	35 (1.38)
PSTX142 ... PSTX170	100 (3.94)	10 (0.39)	20 (0.79)	35 (1.38)
PSTX210 ... PSTX370	100 (3.94)	10 (0.39)	20 (0.79)	35 (1.38)
PSTX470 ... PSTX570	150 (5.91)	15 (0.59)	20 (0.79)	35 (1.38)
PSTX720 ... PSTX840	150 (5.91)	15 (0.59)	20 (0.79)	35 (1.38)
PSTX1050 ... PSTX1250	150 (5.91)	15 (0.59)	20 (0.79)	35 (1.38)

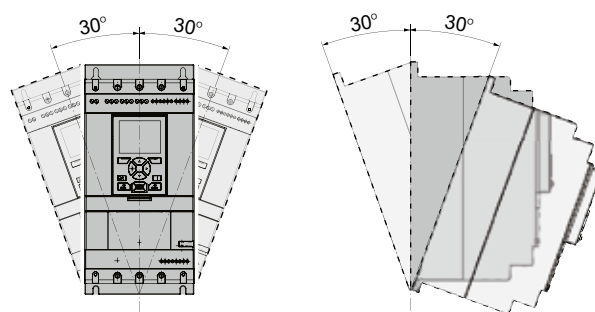
Minimum distance to front



Minimum distance to wall



Maximum mounting angle










Items included in the box with the softstarter

	Multi-language manual	Terminal kit	Cable and mounting kit for detachable keypad
PSR3 ... PSR105	•	—	—
PSE18 ... PSE370	•	•	—
PSTX30 ... PSTX1250	•	—	•

Certifications and approvals

The table below shows the certifications and approvals for ABB softstarters. For other certifications and/or approvals, please contact ABB.

Certifications and approvals													
Abbreviation approved in	Certifications							Approvals: ship classification societies					
	 CE EU	 cULus Canada USA	 CCC China	 EAC Russia	 ANCE Mexico	 C-tick Australia	 KC Korea	ABS	DNV GL	Lloyd's Register	CCS	PRS	Class NK
PSR3 ... PSR105	•	•	•	•	•	•	•	—	—	—	—	—	—
PSE18 ... PSE370	•	•	•	•	•	•	•	•	•	•	•	•	•
PSTX30 ... PSTX1250	•	•	•	•	•	•	•	•	•	•	•	•	•

Note: • Standard design approved, the products wear the certification mark when it is required.

Directives and standards

No. 2006/95/EC	Low voltage equipment
No. 2004/108/EC	Electromagnetic compatibility
EN 60947-1	Low-voltage switchgear and controlgear - Part 1: General rules
EN 60947-4-2	AC semiconductor motor controllers and starters
UL 508	Industrial Control Equipment
CSA C22.2 No 14	Industrial Control Equipment

The PSR softstarter is the most compact of all the softstarter ranges which allows for design of a compact starting equipment.

The PSR combined with a manual motor starter makes up a far more compact starting solution than the complex star-delta starter, and with the built-in bypass, the energy losses inside the softstarter are highly reduced.

PSR

The compact range

20	Introduction
22	Coordination examples
23	Ordering details
24	Accessories
25	Technical data
26	Main dimensions
27	Circuit diagrams

PSR - The compact range

Introduction



Feature list

- Rated operational current: 3...105 A
- Operational voltage: 208...600 V AC
- Wide rated control supply voltage: 100...240 V AC, 50/60 Hz or 24 V AC/DC
- Two-phase controlled
- Soft start with voltage ramp
- Soft stop with voltage ramp
- Built-in bypass for energy saving and easy installation
- Easy set-up by three potentiometers
- Fieldbus communication with fieldbus plug adapter and the fieldbus plug
- Run and Top of Ramp relays available for monitoring
- Connection kits available for connection to ABB's manual motor starters (MMS)



Reduce the electrical stresses and keep the motor protected with the MMS

The PSR reduces the starting current for the motor. The possibility to connect it to the manual motor starter makes it possible to build a compact and complete starting solution with overload and short-circuit protection.



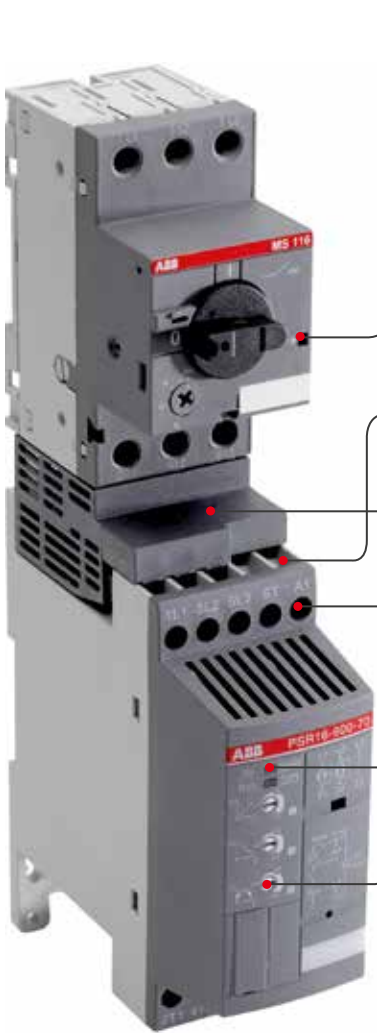
Saving time and money with built-in bypass and easy set-up


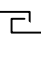

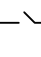


On the PSR, the bypass is built in and verified by ABB, saving you time during installation and space in your panel. Set-up is done through three potentiometers making it very fast and easy.



Reduce the mechanical stresses on your motor

Soft start and stop with PSR will reduce mechanical wear and tear on the application and increase the availability and uptime.

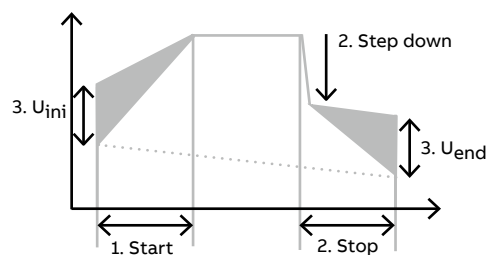


- 
Motor protection with manual motor starter
 Use the PSR together with the MMS to get a complete motor starter with soft start and stop together with overload and short circuit protection.
- 
Connection kit (optional)
 The connection kits simplifies installation of the PSR by making the connection to the MMS screwless.
- 
Screw or DIN-rail mounted
 PSR is fast and easy to install by using screw mounting or DIN-rail mounting (PSR3 ... PSR45).
- 
Output signal relays
 PSR has output relays for Run and Top of ramp (PSR25 ... PSR105).
- 
LED indicators
 PSR has LED indicators for On/Ready and Run/Top of ramp.
- 
Three potentiometers for settings
 Set-up is made very easy with only three potentiometers, for start ramp time, stop ramp time and initial/end voltage level.



Settings

- 1. Start = 1...20 sec
- 2. Stop = 0...20 sec - including the step down voltage Step down = 2% reduction for each second increased stop ramp
- 3. U_{ini} = 40...70% results in end voltage = 30...60%



PSR - The compact range

Coordination examples



PSR3 ... PSR16



PSR25 ... PSR30



PSR37 ... PSR45



PSR60 ... PSR105

Normal start In-line connected

Softstarter	PSR3	PSR6	PSR9	PSR12	PSR16	PSR25	PSR30	PSR37	PSR45	PSR60	PSR72	PSR85	PSR105 ²⁾
(400 V) kW	1.5	3	4	5.5	7.5	11	15	18.5	22	30	37	45	55
IEC, max. A	3.9	6.8	9	12	16	25	30	37	45	60	72	85	105
(440-480 V) hp	2	3	5	7.5	10	15	20	25	30	40	50	60	75
UL, max. FLA	3.4	6.1	9	11	15.2	24.2	28	34	46.2	59.4	68	80	104
Using manual motor starters type 1 coordination will be achieved ¹⁾	Manual motor starter (50 kA) 400 V, 40 °C												
	MS116	MS116	MS116	MS132	MS132	MS132	MS132	MS165	MS165	MS165	MS495	MS495	MS495
Using gG fuses type 1 coordination will be achieved ¹⁾	Fuse protection (50 kA) gG Fuse												
	10 A	16 A	25 A	32 A	32 A	50 A	63 A	100 A	125 A	125 A	200 A	200 A	250 A
Suitable switch fuse for the above gG fuses ¹⁾	Switch fuse												
	OS32G							OS125G		OS250			
J-type fuses for UL coordination ¹⁾	Max. fuse, J-type												
	35 A	35 A	35 A	35 A	35 A	60 A	60 A	90 A	90 A	110 A	125 A	150 A	200 A
Overload protection is used to protect the motor from over heating ¹⁾	Thermal overload relay												
	TF42DU							TA75DU			TA110DU		
The line contactor is not required for the softstarter itself but often used to open if OL trips ¹⁾	Line contactor												
	AF9	AF9	AF9	AF12	AF16	AF26	AF30	AF38	AF52	AF65	AF80	AF96	AF116

¹⁾ These are an example of coordination. For more examples see: applications.it.abb.com/SOC

²⁾ Can be used with MS495 up to 100 A

PSR - The compact range

Normal starts, class 10, in-line

Ordering details



PSR3 ... PSR16



PSR25 ... PSR30



PSR37 ... PSR45



PSR60 ... PSR105

Rated operational voltage U_e , 208...600 V AC, Rated control supply voltage, U_s , 100...240 V AC, 50/60 Hz

IEC Rated operational power			UL/CSA Rated operational power						FLA	Type	Order code	Weight	
230 V	400 V	500 V	current	200/208 V	220/240 V	440/480 V	550/600 V	current				kg	lb
P_e	P_e	P_e	I_e	P_e	P_e	P_e	P_e	FLA					
kW	kW	kW	A	hp	hp	hp	hp	A					
0.75	1.5	2.2	3.9	0.5	0.75	2	2	3.4	PSR3-600-70	1SFA896103R7000	0.45	0.99	
1.5	3	4	6.8	1	1.5	3	5	6.1	PSR6-600-70	1SFA896104R7000	0.45	0.99	
2.2	4	4	9	2	2	5	7.5	9	PSR9-600-70	1SFA896105R7000	0.45	0.99	
3	5.5	5.5	12	3	3	7.5	10	11	PSR12-600-70	1SFA896106R7000	0.45	0.99	
4	7.5	7.5	16	3	5	10	10	15.2	PSR16-600-70	1SFA896107R7000	0.45	0.99	
5.5	11	15	25	7.5	7.5	15	20	24.2	PSR25-600-70	1SFA896108R7000	0.65	1.43	
7.5	15	18.5	30	7.5	10	20	25	28	PSR30-600-70	1SFA896109R7000	0.65	1.43	
7.5	18.5	22	37	10	10	25	30	34	PSR37-600-70	1SFA896110R7000	1.00	2.20	
11	22	30	45	15	15	30	40	46.2	PSR45-600-70	1SFA896111R7000	1.00	2.20	
15	30	37	60	20	20	40	50	59.4	PSR60-600-70	1SFA896112R7000	2.20	4.85	
22	37	45	72	20	25	50	60	68	PSR72-600-70	1SFA896113R7000	2.27	5.00	
22	45	55	85	25	30	60	75	80	PSR85-600-70	1SFA896114R7000	2.27	5.00	
30	55	55	105	30	40	75	100	104	PSR105-600-70	1SFA896115R7000	2.27	5.00	

Rated operational voltage U_e , 208...600 V AC, Rated control supply voltage, U_s , 24 V AC/DC, 50/60 Hz

IEC Rated operational power			UL/CSA Rated operational power						FLA	Type	Order code	Weight	
230 V	400 V	500 V	current	200/208 V	220/240 V	440/480 V	550/600 V	current				kg	lb
P_e	P_e	P_e	I_e	P_e	P_e	P_e	P_e	FLA					
kW	kW	kW	A	hp	hp	hp	hp	A					
0.75	1.5	2.2	3.9	0.5	0.75	2	2	3.4	PSR3-600-11	1SFA896103R1100	0.45	0.99	
1.5	3	4	6.8	1	1.5	3	5	6.1	PSR6-600-11	1SFA896104R1100	0.45	0.99	
2.2	4	4	9	2	2	5	7.5	9	PSR9-600-11	1SFA896105R1100	0.45	0.99	
3	5.5	5.5	12	3	3	7.5	10	11	PSR12-600-11	1SFA896106R1100	0.45	0.99	
4	7.5	7.5	16	3	5	10	10	15.2	PSR16-600-11	1SFA896107R1100	0.45	0.99	
5.5	11	15	25	7.5	7.5	15	20	24.2	PSR25-600-11	1SFA896108R1100	0.65	1.43	
7.5	15	18.5	30	7.5	10	20	25	28	PSR30-600-11	1SFA896109R1100	0.65	1.43	
7.5	18.5	22	37	10	10	25	30	34	PSR37-600-11	1SFA896110R1100	1.00	2.20	
11	22	30	45	15	15	30	40	46.2	PSR45-600-11	1SFA896111R1100	1.00	2.20	
15	30	37	60	20	20	40	50	59.4	PSR60-600-11	1SFA896112R1100	2.20	4.85	
22	37	45	72	20	25	50	60	68	PSR72-600-11	1SFA896113R1100	2.27	5.00	
22	45	55	85	25	30	60	75	80	PSR85-600-11	1SFA896114R1100	2.27	5.00	
30	55	55	105	30	40	75	100	104	PSR105-600-11	1SFA896115R1100	2.27	5.00	

PSR - The compact range

Accessories



01 Connection kit for PSRC3...16



02 Connection kit for PSRC25...30



03 Connection kit for PSRC37...45



04 Connection kit for PSRC60...72



05 Fan



06 Terminal enlargements



07 Fieldbus plug adapter

Connection kit

Article	breaker type	Type	Order code	Pkg qty	kg	lb
PSRC3...16	MS116/132	PSR16-MS116	1SFA896211R1001	1	0.022	0.049
PSRC25...30	MS132	PSR30-MS132	1SFA896212R1001	1	0.040	0.088
PSRC37...45	MS165	PSR45-MS165	1SFA896216R1001	1	0.050	0.110
PSRC60...72	MS165	PSR60-MS165	1SFA896215R1001	1	0.050	0.110
PSRC60...105	MS495	PSR105-MS495	1SAM501903R1001	1	0.034	0.075

Fan

Article	Type	Order code	Pkg qty	kg	lb
PSRC3...16	PSR-FAN3-45A	1SFA896311R1001	1	0.010	0.022
PSRC25...30	PSR-FAN60-105A	1SFA896313R1001	1	0.013	0.029

Terminal enlargements

Article	Type	Order code	Pkg qty	kg	lb
PSRC60... PSRC105	PSLW-72	1SFA899002R1072	1	0.150	0.033

Note:

Wire range mm² 1 x 10...50 mm², 2 x 10...25 mm²

Fieldbus plug adapter with cable

Article	Type	Order code	Pkg qty	kg	lb
Fieldbus plug adapter	PS-FBPA	1SFA896312R1002	1	0.060	0.132

PSR - The compact range

Technical data

Softstarter types	PSR3	PSR6	PSR9	PSR12	PSR16	PSR25	PSR30	PSR37	PSR45	PSR60	PSR72	PSR85	PSR105
Max. Power loss at rated I _e	0.7 W	2.9 W	6.5 W	11.5 W	20.5 W	25 W	36 W	5.5 W	8.1 W	3.6 W	5.2 W	7.2 W	6.6 W

Technical data	
Rated insulation voltage U _i	600 V
Rated operational voltage U _e	208...600 V +10%/-15%, 50/60 Hz ±5%
Rated control supply voltage U _s	100...240 V AC, 50/60Hz ±5% or 24 V AC/DC, +10%/-15%
Starting capacity at I _e	4 x I _e for 6 sec.
Maximum altitude	4000 m (13123 ft) ³⁾
Number of starts per hour	
standard	10 ¹⁾
with aux. fan	20 ¹⁾
Ambient temperature	
during operation	-25...+60 °C (-13...+140 F) ²⁾
during storage	-40...+70 °C (-40...+158 F)
Degree of protection	
main circuit	PSR3 - PSR30: IP20 PSR37 - PSR105: IP10
control circuit	PSR3 - PSR30: IP20
Power consumption:	
at 100...240 V AC	PSR3 - PSR30: 12 VA PSR37 - PSR105: 10 VA
at 24 V AC/DC	PSR3 - PSR30: 5 W PSR37 - PSR105: 10 VA
Signal relays for run signal: PSR3.. 105	
Resistive load	3 A
AC-15 (contactor)	0.5 A
Signal relays for top of ramp signal: PSR25... 105	
Resistive load	3 A
AC-15 (contactor)	0.5 A
LED	
For On/Ready	Green
For Run/Top of ramp	Green
Settings	
Ramp time during start	1...20 sec.
Ramp time during stop	0...20 sec.
Initial- and end voltage	40...70%

¹⁾ Valid for 50% on time and 50% off time. If other data is required, contact your local ABB office.

²⁾ Above 40 °C (104 F) up to max. 60 °C (140 F) reduce the rated current with 0.8% per °C (0.44% per F).

³⁾ When used at high altitudes, above 1000 meters (3281 ft) up to 4000 meters (13123 ft), de-rate the rated current using the following formula.

$$[\% \text{ of } I_e = 100 - \frac{x-1000}{150}] \quad x = \text{actual altitude of the softstarter in meter.}$$

Number of starts per hour using PSR softstarters								
Motor current I _e	Starts/hour without auxiliary fan							
	10	20	30	40	50	60	80	100
3 A	PSR3	PSR3	PSR3	PSR3	PSR3	PSR3	PSR3	PSR6
6 A	PSR6	PSR6	PSR6	PSR6	PSR6	PSR9	PSR9	PSR9
9 A	PSR9	PSR9	PSR9	PSR12	PSR12	PSR12	PSR16	PSR25
12 A	PSR12	PSR12	PSR12	PSR16	PSR25	PSR25	PSR30	PSR30
16 A	PSR16	PSR25	PSR25	PSR25	PSR30	PSR30	PSR37	PSR37
25 A	PSR25	PSR30	PSR37	PSR37	PSR37	PSR45	PSR45	PSR60
30 A	PSR30	PSR37	PSR37	PSR45	PSR45	PSR60	PSR60	PSR72
37 A	PSR37	PSR45	PSR45	PSR60	PSR60	PSR72	PSR85	PSR105
45 A	PSR45	PSR45	PSR60	PSR60	PSR72	PSR85	PSR105	-
60 A	PSR60	PSR60	PSR72	PSR85	PSR105	PSR105	-	-
72 A	PSR72	PSR85	PSR105	PSR105	-	-	-	-
85 A	PSR85	PSR105	PSR105	-	-	-	-	-
105 A	PSR105	-	-	-	-	-	-	-

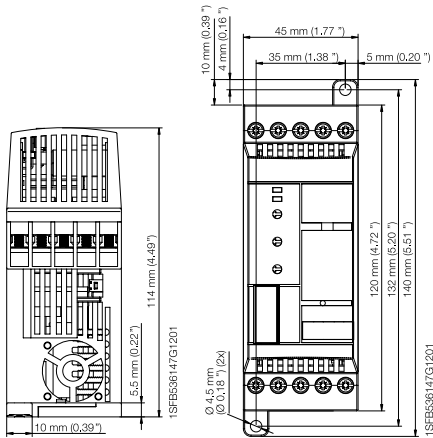
Number of starts per hour using PSR softstarters								
Motor current I _e	Starts/hour with auxiliary fan							
	10	20	30	40	50	60	80	100
3 A	PSR3	PSR3	PSR3	PSR3	PSR3	PSR3	PSR3	PSR3
6 A	PSR6	PSR6	PSR6	PSR6	PSR6	PSR6	PSR6	PSR9
9 A	PSR9	PSR9	PSR9	PSR9	PSR9	PSR12	PSR12	PSR12
12 A	PSR12	PSR12	PSR12	PSR12	PSR12	PSR16	PSR25	PSR25
16 A	PSR16	PSR16	PSR25	PSR25	PSR25	PSR25	PSR30	PSR30
25 A	PSR25	PSR2	PSR30	PSR37	PSR37	PSR37	PSR37	PSR45
30 A	PSR30	PSR30	PSR37	PSR37	PSR45	PSR45	PSR45	PSR45
37 A	PSR37	PSR37	PSR45	PSR45	PSR45	PSR45	PSR60	PSR60
45 A	PSR45	PSR45	PSR45	PSR60	PSR60	PSR60	PSR72	PSR72
60 A	PSR60	PSR60	PSR60	PSR72	PSR72	PSR85	PSR105	-
72 A	PSR72	PSR72	PSR72	PSR85	PSR105	PSR105	-	-
85 A	PSR85	PSR85	PSR105	PSR105	-	-	-	-
105 A	PSR105	PSR105	-	-	-	-	-	-

Data based on an ambient temperature of 40° (104 F), starting current of 4 x I_e and ramp time 6 seconds. For more optimized selection or to use PSR for heavy-duty starts, please use the softstarter selection tool.

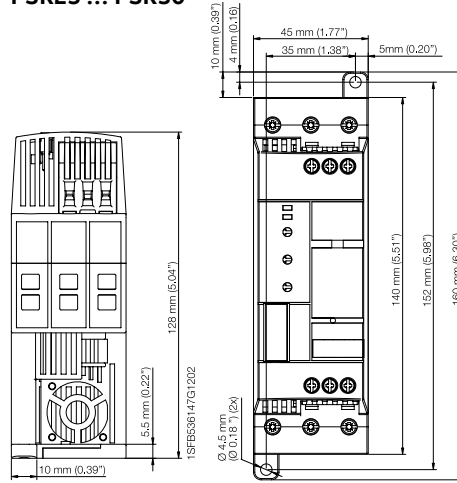
PSR - The compact range

Main dimensions

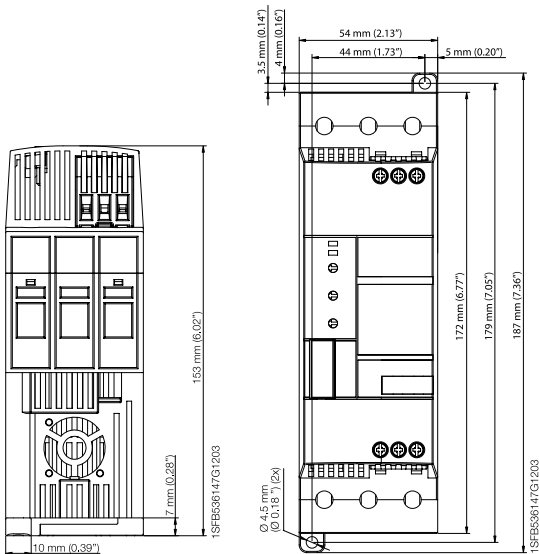
PSR3 ... PSR16



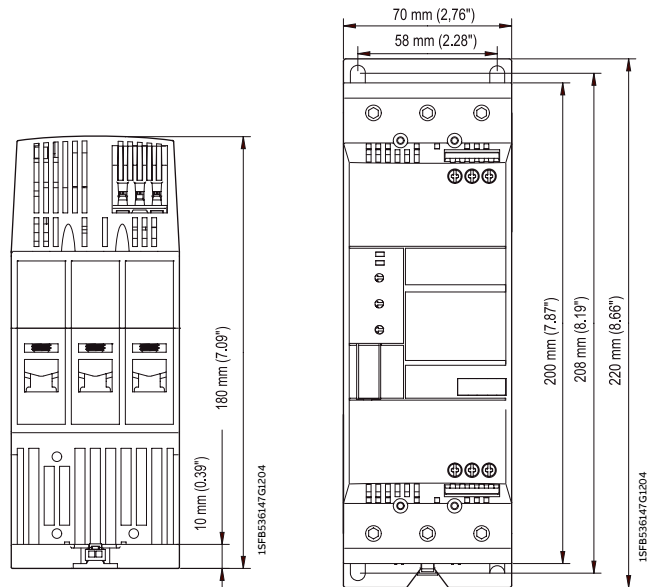
PSR25 ... PSR30



PSR37 ... PSR45



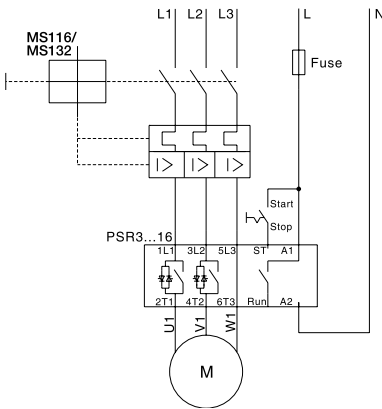
PSR60 ... PSR105



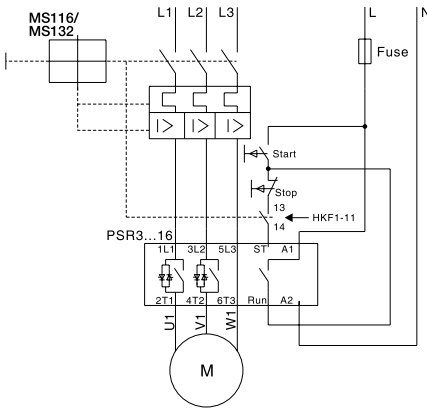
PSR - The compact range

Circuit diagrams

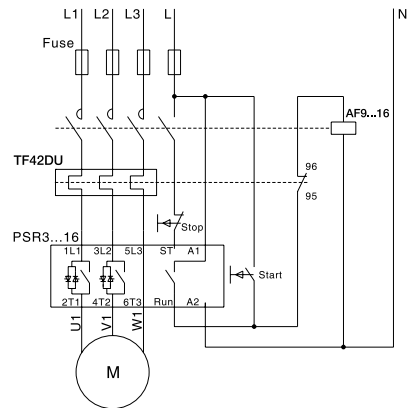
PSR3 ... PSR16 With MMS



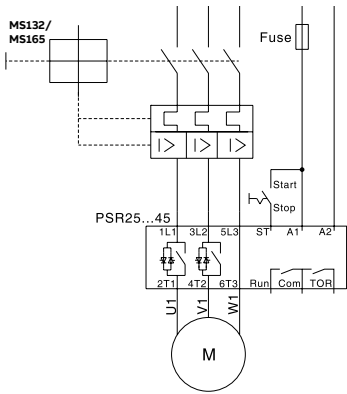
With MMS and auxiliary contact



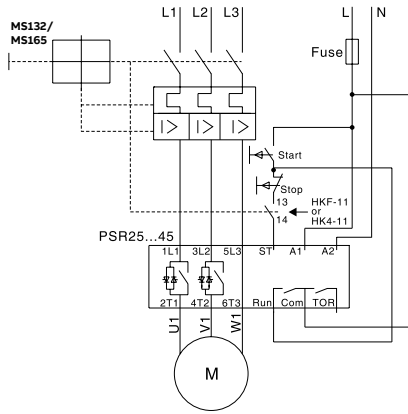
With fuses, contactor and O.L.



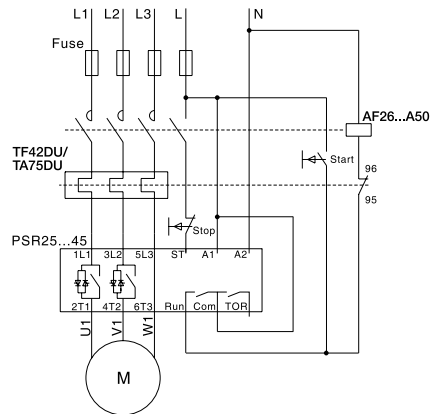
PSR25 ... PSR45 With MMS



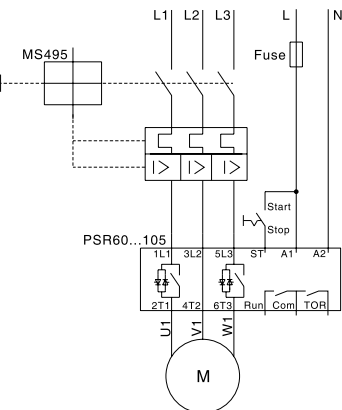
With MMS and auxiliary contact



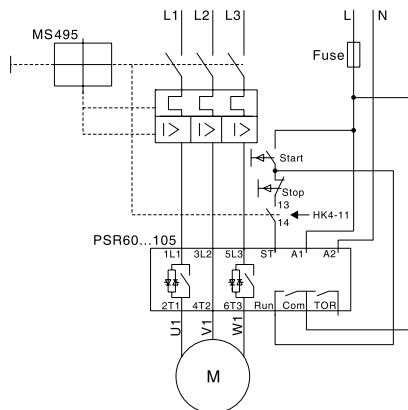
With fuses, contactor and O.L.



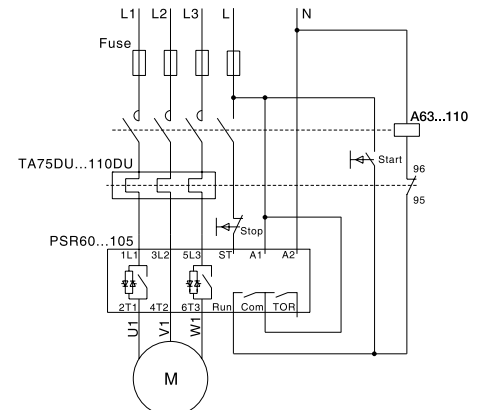
PSR60 ... PSR105 With MMS



With MMS and auxiliary contact



With fuses, contactor and O.L.



The PSE has been designed to meet the most common requirements from the water segment and is specialized on pump operation. It combines the requested protections with a very compact design and built-in bypass. Remote operation with external keypad or over fieldbus is available as an option.

PSE

The efficient range

30	Introduction
32	Coordination examples
33	Ordering details
34	Accessories
36	Technical data
38	Dimensions
39	Circuit diagrams

PSE - The efficient range

Introduction



Feature list

- Rated operational current: 18...370 A
- Operational voltage: 208...600 V AC
- Wide rated control supply voltage: 100...250 V AC, 50/60 Hz
- Voltage ramp and torque control for both start and stop
- Two-phase controlled
- Current limit
- Kick-start
- Built-in bypass for energy saving and easy installation
- Illuminated display that uses symbols to become language neutral
- External keypad rated IP66 (Type 1, 4X,12) as an option
- Fieldbus communication with fieldbus plug adapter and the fieldbus plug
- Analog output for display of motor current
- Electronic overload protection
- Underload protection
- Locked rotor protection



Basic motor protection and current limit

The PSE includes the most important protections for handling different load situations that can happen to pumps e.g. overload and underload. The current limit gives you more control of the motor during start and allows you to start your motor in weaker networks.



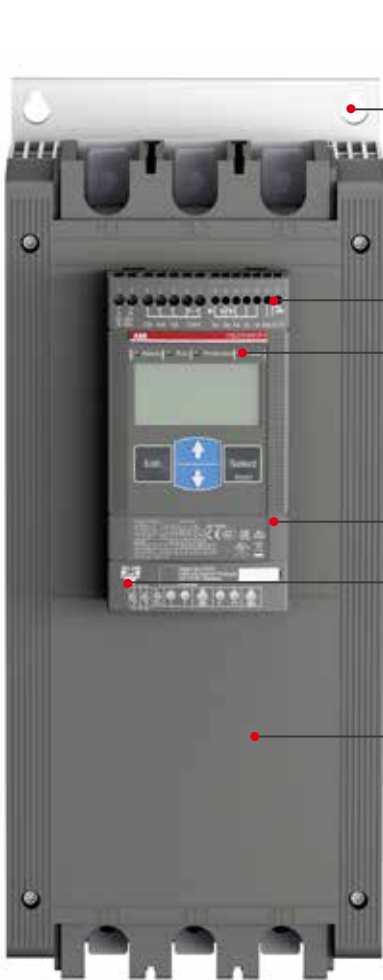
Saving time and money with built-in bypass and compact design

On the PSE, the bypass is built in and verified by ABB, saving you time during installation and space in your panel. The keypad is language neutral and illuminated for easy set-up and operation in field. The compact design makes installation fast and easy.



Torque control for elimination of water hammering in pumps

Torque control is the most efficient way to stop a full speed pump. The PSE has a special torque stop ramp that is designed together with a pump manufacturer to eliminate water hammering in an optimal way.



Screw mounting

PSE is fast easy to install by using screw mounting.



Digital input for start, stop and reset

PSE is controlled through digital inputs using the internal 24 V DC source. This allows easy control with e.g. push buttons or relays.



Output signal relays for run, top of ramp and event

Three output signal relays for indicating that the motor is running, that the softstarter is in top of ramp and if any event has happened. The relays can be used e.g. with pilot lights or to control a line contactor.



NEW Modbus- RTU

Built-in Modbus- RTU fieldbus communication for monitoring and control. Support for all major communication protocols.



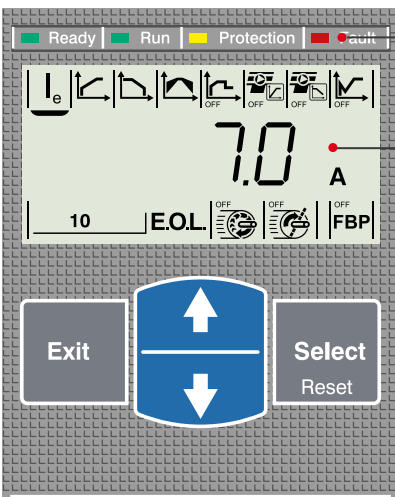
Coated PCB

Coated circuit boards protecting from dust, moist and corrosive atmosphere



Torque control

The torque control function the absolutely best possible stop of pumps without water hammering and pressure surges.



LED indicators

- Green ready LED
 - Flashing - Control supply
 - Steady - Main power available
- Green run LED
 - Flashing - Ramping up/down
 - Steady - TOR
- Yellow protection LED
- Red fault LED



Illuminated and language-neutral display with icons

The display on PSE uses icons for fast and easy set-up of parameters. Each icon indicates a different parameter to set and makes navigation and setting of parameters easy.

PSE - The efficient range

Coordination examples



Normal start In-line connected

Softstarter	PSE18	PSE25	PSE30	PSE37	PSE45	PSE60	PSE72	PSE85	PSE105
(400 V) kW	7.5	11	15	18.5	22	30	37	45	55
IEC, max. A	18	25	30	37	45	60	72	85	106
(440-480 V) hp	10	15	20	25	30	40	50	60	75
UL, max. FLA	18	25	28	34	42	60	68	80	104

Using MCCB only,
type 1 coordination
will be achieved ¹⁾

MCCB (400 V, 40 °C)

MCCB (35 kA)	T2N160	T2N160	T2N160	T2N160	T2N160	T2N160	T2N160	T2N160	T3N250
MCCB (50 kA)	T2S160	T2S160	T2S160	T2S160	T2S160	T2S160	T2S160	T2S160	T3S250

To achieve type 2
coordination, semi-
conductor fuses
must be used ¹⁾

Fuse protection (85 kA), Semiconductor fuses, Bussmann

170M1563	170M1564	170M1566	170M1567	170M1568	170M1569	170M1571	170M1572	170M3819
----------	----------	----------	----------	----------	----------	----------	----------	----------

Suitable switch fuse for
recommended semi-
conductor fuses ¹⁾

Switch fuse

OS32GD	OS32GD	OS32GD	OS63GD	OS63GD	OS63GD	OS125GD	OS125GD	OS250D
--------	--------	--------	--------	--------	--------	---------	---------	--------

The line contactor is not
required for the softstarter
itself but often used
to open if OL trips ¹⁾

Line contactor

AF26	AF26	AF30	AF38	AF52	AF65	AF80	AF96	AF116
------	------	------	------	------	------	------	------	-------

Softstarter	PSE142	PSE170	PSE210	PSE250	PSE300	PSE370
(400 V) kW	75	90	110	132	160	200
IEC, max. A	143	171	210	250	300	370
(440-480 V) hp	100	125	150	200	250	300
UL, max. FLA	130	169	192	248	302	361

Using MCCB only,
type 1 coordination
will be achieved ¹⁾

MCCB (400 V, 40 °C)

MCCB (35 kA)	T3N250	T3N250	T4N320	T5N400	T5N400	T5N630
MCCB (50 kA)	T3S250	T3S250	T4S320	T5S400	T5S400	T5S630

To achieve type 2
coordination, semi-conductor
fuses must be used ¹⁾

Fuse protection (85kA), Semiconductor fuses, Bussmann

170M5809	170M5810	170M5812	170M5813	170M6812	170M6813
----------	----------	----------	----------	----------	----------

Suitable switch fuse for
recommended semi-
conductor fuses ¹⁾

Switch fuse

OS400D	OS400D	OS400D	OS400D	OS630D	OS630D
--------	--------	--------	--------	--------	--------

The line contactor is not
required for the softstarter
itself but often used to
open if OL trips ¹⁾

Line contactor

AF146	AF190	AF265	AF265	AF305	AF370
-------	-------	-------	-------	-------	-------

¹⁾ These are an example of coordination. For more examples see: applications.it.abb.com/SOC

PSE - The efficient range

Ordering details



Normal starts, class 10, in-line Rated operational voltage U_e , 208-600 V, Rated control supply voltage U_s , 100-250 V AC, 50/60 Hz

IEC Rated operational power			UL/CSA Rated operational power						FLA	Type	Order code	Weight	
230 V	400 V	500 V	current	200/208 V	220/240 V	440/480 V	550/600 V	current				kg	lb
P_e	P_e	P_e	I_e	P_e	P_e	P_e	P_e	FLA					
kW	kW	kW	A	hp	hp	hp	hp	A			kg	lb	
4	7.5	11	18	5	5	10	15	18	PSE18-600-70	1SFA897101R7000	2.40	5.29	
5.5	11	15	25	7.5	7.5	15	20	25	PSE25-600-70	1SFA897102R7000	2.40	5.29	
7.5	15	18.5	30	7.5	10	20	25	28	PSE30-600-70	1SFA897103R7000	2.40	5.29	
9	18.5	22	37	10	10	25	30	34	PSE37-600-70	1SFA897104R7000	2.40	5.29	
11	22	30	45	10	15	30	40	42	PSE45-600-70	1SFA897105R7000	2.40	5.29	
15	30	37	60	20	20	40	50	60	PSE60-600-70	1SFA897106R7000	2.40	5.29	
18.5	37	45	72	20	25	50	60	68	PSE72-600-70	1SFA897107R7000	2.50	5.51	
22	45	55	85	25	30	60	75	80	PSE85-600-70	1SFA897108R7000	2.50	5.51	
30	55	75	106	30	40	75	100	104	PSE105-600-70	1SFA897109R7000	2.50	5.51	
40	75	90	143	40	50	100	125	130	PSE142-600-70	1SFA897110R7000	4.20	9.26	
45	90	110	171	60	60	125	150	169	PSE170-600-70	1SFA897111R7000	4.20	9.26	
59	110	132	210	60	75	150	200	192	PSE210-600-70-1	1SFA897112R7001	8.45	18.63	
75	132	160	250	75	100	200	250	248	PSE250-600-70-1	1SFA897113R7001	10.55	23.26	
90	160	200	300	100	100	250	300	302	PSE300-600-70-1	1SFA897114R7001	10.55	23.26	
110	200	250	370	125	150	300	350	361	PSE370-600-70-1	1SFA897115R7001	10.55	23.26	

Heavy-duty starts, class 30, in-line Rated operational voltage U_e , 208...600 V, Rated control supply voltage U_s , 100...250 V AC, 50/60 Hz

IEC Rated operational power			UL/CSA Rated operational power						FLA	Type	Order code	Weight	
230 V	400 V	500 V	current	200/208 V	220/240 V	440/480 V	550/600 V	current				kg	lb
P_e	P_e	P_e	I_e	P_e	P_e	P_e	P_e	FLA					
kW	kW	kW	A	hp	hp	hp	hp	A			kg	lb	
3	5.5	7.5	12	3	3	7.5	10	11	PSE18-600-70	1SFA897101R7000	2.40	5.29	
4	7.5	11	18	5	5	10	15	18	PSE25-600-70	1SFA897102R7000	2.40	5.29	
5.5	11	15	25	7.5	7.5	15	20	25	PSE30-600-70	1SFA897103R7000	2.40	5.29	
7.5	15	18.5	30	7.5	10	20	25	28	PSE37-600-70	1SFA897104R7000	2.40	5.29	
9	18.5	22	37	10	10	25	30	34	PSE45-600-70	1SFA897105R7000	2.40	5.29	
11	22	30	45	10	15	30	40	42	PSE60-600-70	1SFA897106R7000	2.40	5.29	
15	30	37	60	20	20	40	50	60	PSE72-600-70	1SFA897107R7000	2.50	5.51	
18.5	37	45	72	20	25	50	60	68	PSE85-600-70	1SFA897108R7000	2.50	5.51	
22	45	55	85	25	30	60	75	80	PSE105-600-70	1SFA897109R7000	2.50	5.51	
30	55	75	106	30	40	75	100	104	PSE142-600-70	1SFA897110R7000	4.20	9.26	
40	75	90	143	40	50	100	125	130	PSE170-600-70	1SFA897111R7000	4.20	9.26	
45	90	110	171	60	60	125	150	169	PSE210-600-70-1	1SFA897112R7001	8.45	18.63	
59	110	132	210	60	75	150	200	192	PSE250-600-70-1	1SFA897113R7001	10.55	23.26	
75	132	160	250	75	100	200	250	248	PSE300-600-70-1	1SFA897114R7001	10.55	23.26	
90	160	200	300	100	100	250	300	302	PSE370-600-70-1	1SFA897115R7001	10.55	23.26	

PSE - The efficient range

Accessories



01 Cable connectors for CU cables

Cable connectors for Cu cables

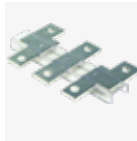
Article	Wire range mm ²	Tightening torque max Nm	Type	Order code	Pkg qty	kg	lb
PSE142 ... PSE170	6...120	14	-	1SDA066917R1	3	0.182	0.401
PSE142 ... PSE170	2 x (50...120)	16	LZ185-2C/120	1SFN074709R1000	3	0.100	0.220
PSE210 ... PSE370	16...300	25	-	1SDA055016R1	3	0.385	0.454



02 Cable connectors for CU & AL cables

Cable connectors for Al and Cu cables

Article	Wire range mm ²	Tightening torque max Nm	Type	Order code	Pkg qty	kg	lb
PSE142 ... PSE170	95...185	31	-	1SDA054988R1	3	0.140	0.309
PSE210 ... PSE370	185...240	43	-	1SDA055020R1	3	0.244	0.538



03 Terminal enlargements

Terminal enlargements

Article	Dimensions hole ø mm ²	bar mm ²	Type	Order code	Pkg qty	kg	lb
PSE18 ... PSE105	6.5	15 x 3	LW110	1SFN074307R1000	1	0.065	0.142
PSE142 ... PSE170	10.5	17.5 x 5	LW185	1SFN074707R1000	1	0.291	0.642
PSE210 ... PSE370	10.5	20 x 5	LW300	1SFN075107R1000	1	0.494	1.089



04 Terminal kit

Terminal kit

Article	Type	Order code	Pkg qty	kg	lb
PSE142...PSE170	PSLE-185	1SFA899221R1002	1	0.342	0.754
PSE210...370	PSLE-300	1SFA899221R1003	1	0.300	0.661



05 Terminal extension

Terminal extension

Article	Type	Order code	Pkg qty	kg	lb
PSE142 ... PSE170 8.5 17.5 x 5	LX205	1SFN074810R1000	1	0.250	5.551
PSE210 ... PSE370 10.5 20 x 5	LX370	1SFN075410R1000	1	0.350	0.772

PSE - The efficient range

Accessories



01 Terminal shrouds

Terminal shrouds

Article	Type	Order code	Pkg qty	kg	lb
PSE18... PSE105, Screw terminals	LT140-30L	1SFN124203R1000	2	0.070	0.154
PSE142... PSE170, short for use with cable clamps	LT185-AC	1SFN124701R1000	2	0.050	0.110
PSE142... PSE170, long for use with compression lugs	LT185-AL	1SFN124703R1000	2	0.220	0.485
PSE210... PSE370, short for use with cable clamps	LT300-AC	1SFN125101R1000	2	0.085	0.187
PSE210... PSE370, long for use with compression lugs	LT300-AL	1SFN125103R1000	2	0.280	0.617



02 External keypad

External keypad including a 3m cable

Article	Type	Order code	Pkg qty	kg	lb
PSE18 ... PSE370	PSEEK	1SFA897100R1001	1	0.317	0.699



03 USB cable

USB cable for Service Engineer Tool

Article	Type	Order code	Pkg qty	kg	lb
PSE18 ... PSE370	PSECA	1SFA897201R1001	1	0.141	0.311



04 Fieldbus plug adaptor

Fieldbus plug connection, cable included

Article	Type	Order code	Pkg qty	kg	lb
Fieldbus plug adaptor	PS-FBPA	1SFA896312R1002	1	0.060	0.132



05 Terminal extensions retrofit kit

Terminal extensions retrofit kit

Article	Type	Order code	Pkg qty	kg	lb
Terminal extensions retrofit kit	LXR370	1SFA899222R1003	1	0.450	0.992



06 Modbus adapter

Modbus adapter

Article	Type	Order code	Pkg qty	kg	lb
Modbus adapter	PS-MBIA	1SFA899300R1020	1	0.011	0.024

PSE - The efficient range

Technical data

Technical data	PSE18 ... PSE370
Rated insulation voltage U_i	600 V
Rated operational voltage U_e	208...600 V +10%/-15%
Rated control supply voltage U_s	100...250 V +10%/-15%, 50/60 Hz \pm 10 %
Rated control circuit voltage U_c	Internal 24 V DC
Starting capacity at I_e	$4 \times I_e$ for 10 sec.
Number of starts per hour	10 ¹⁾
Maximum Altitude	4000 m (13123 ft) ³⁾
Overload capability	
Overload class	10
Ambient temperature	
During operation	-25...+60 °C (-13...+140 F) ²⁾
During storage	-40...+70 °C (-40...+158 F)
Degree of protection	
Main circuit	IP00
Supply and control circuit	IP20
Main circuit	
Built-in bypass	Yes
Cooling system	fan cooled (thermostat controlled)
HMI for settings	
Display	4 7-segments and icons. Illuminated
Keypad	2 selection keys and 2 navigation keys
Main settings	
Setting current	Size dependent
Ramp time during start	1...30 sec
Ramp time during stop	0...30 sec
Initial/end voltage	30...70%
Current limit	$1.5...7 \times I_e$
Torque control for start	Yes / No
Torque control for stop	Yes / No
Kick start	Off, 30...100%
Signal relays	
Number of signal relays	3
K2	Run signal
K3	TOR (bypass) signal
K1	Event signal
Rated operational voltage U_e	100-250 V AC/24 V DC ⁴⁾
Rated thermal current I_{th}	3 A
Rated operational current I_e at AC-15 ($U_e = 250$ V)	1.5 A

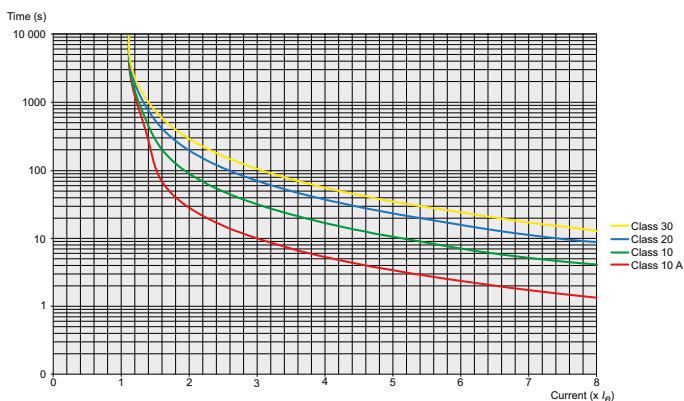
Technical data	PSE18 ... PSE370
Analog output	
Output signal reference	4...20 mA
Type of output signal	I Amp
Scaling	Fixed at $1.2 \times I_e$
Control circuit	
Number of inputs	3 (start, stop, reset of faults)
Signal indication LED	
On / Ready	Green flashing / steady
Run / TOR	Green flashing / steady
Protection	Yellow
Fault	Red
Protections	
Electronic overload	Yes (Class 10A, 10, 20, 30)
Locked rotor protection	Yes
Underload protection	Yes
Fieldbus connection	
ABB Fieldbus plug	Yes (option)
NEW Built-in modbus	Yes
External keypad	
Display	LCD type
Ambient temperature	
During operation	-25...+60 °C (-13...+140 F)
During storage	-40...+70 °C (-40...+158 F)
Degree of protection	IP66

¹⁾ Valid for 50% on time and 50% off time. If other data is required, contact your local ABB office.

²⁾ Above 40 °C (104 F) up to max. 60 °C (140 F) reduce the rated current with 0.6% per °C (0.33% per F).

³⁾ When used at high altitudes, above 1000 meters (3281 ft) up to 4000 meters (13123 ft), de-rate the rated current using the following formula. [% of $I_e = 100 - \frac{x - 1000}{150}$] x = actual altitude of the softstarter in meters.

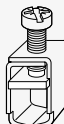
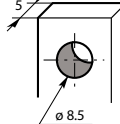
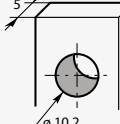






⁴⁾ A common voltage needs to be used for all 3 signal relays.



Tripping curves for the integrated electronic overload protection
PSE has an integrated electronic overload protection that can be set to four different tripping classes. Below you find a curve for each tripping class in cold state.

PSE - The efficient range

Technical data

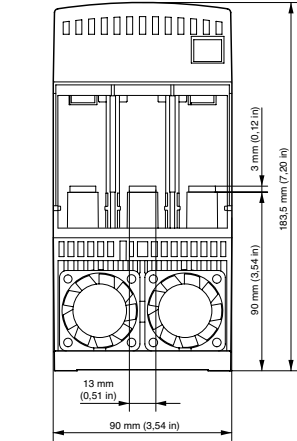
						
Main terminals						
Article		PSE18... 105	PSE142... 170	PSE210... 370		
Cu cable - Flexible 1 x mm²		2.5...70 mm ²	6...120 mm ²	16...300 mm ²		
 Clamp type		Included	1SDA066917R1	1SDA055016R1		
Tightening torque		8 Nm	14 Nm	25 Nm		
Cu cable - Flexible 2 x mm²		2.5...70 mm ²	50...120 mm ²	-		
 Clamp type		Included	1SFN074709R1000	-		
Tightening torque		8 Nm	16 NM	-		
Cu cable - Stranded 1 x mm²		2.5...70 mm ²	6...120 mm ²	16...300 mm ²		
 Clamp type		Included	1SDA066917R1	1SDA055016R1		
Tightening torque		8 Nm	14 Nm	25 Nm		
Cu cable - Stranded 2 x mm²		2.5...70 mm ²	50...120 mm ²	-		
 Clamp type		Included	1SFN074709R1000	-		
Tightening torque		8 Nm	16 NM	-		
Al cable - Stranded 1 x mm²		-	95...185 mm ²	185...240		
 Clamp type		-	1SDA054988R1	1SDA055020R1		
Tightening torque		-	31 Nm	43 Nm		
Lugs						
 Width		22 mm (0.866 in)	24 mm (0.945 in)	30 mm (1.181 in)		
Diameter>=		6.5 mm (0.256 in)	8.5 mm (0.335 in)	10.2 mm (0.402 in)		
Tightening torque		9 Nm (80 in lb)	18 Nm (159 in lb)	28 Nm (248 in lb)		
Connection capacity acc to UL/CSA 1 x AWG/kcmil		6...2/0	6...300 kcmil	4...400 kcmil		
Clamp type		Included	ATK185	ATK300		
Tightening torque		71 in lb	300 in lb	375 in lb		
Connection capacity acc to UL/CSA 2 x AWG/kcmil		-	-	4...500 kcmil		
Clamp type		-	-	ATK300/2		
Tightening torque		-	-	375 in lb		
Supply and control circuit						
Cu cable - Stranded 1 x mm ²		0.75...2.5 mm ² (19...14 AWG)				
Cu cable - Stranded 2 x mm ²		0.75...1.5 mm ² (19...16 AWG)				
Tightening torque		0.5 Nm (4.4 in lb)				
Fuse ratings and power losses						
Softstarter	Current range	Max power loss at rated I _n	Max fuse rating - main circuit ¹⁾			Power requirements supply circuit Holding (VA) / Pull-in (VA)
	A		Bussmann fuses, DIN43 620 (Knife)			
	A	W	A	Type	Size	
PSE18	5.4...18.0	0.2	40	170M1563	000	16/19.9
PSE25	7.5...25.0	0.4	50	170M1564	000	16/19.9
PSE30	9.0...30.0	0.5	80	170M1566	000	16/19.9
PSE37	11.1...37.0	0.8	100	170M1567	000	16/19.9
PSE45	13.5...45.0	1.2	125	170M1568	000	16/19.9
PSE60	18.0...60.0	2.2	160	170M1569	000	16/19.9
PSE72	21.6...72.0	3.1	250	170M1571	000	16/19.9
PSE85	25.5...85.0	4.3	315	170M1572	000	16/19.9
PSE105	31.8...106.0	6.6	400	170M3819	1*	16/19.9
PSE142	42.9...143.0	12.1	450	170M5809	2	16/31
PSE170	51.3...171.0	17.6	500	170M5810	2	16/31
PSE210	63.0...210.0	8.8	630	170M5812	2	21/244
PSE250	75.0...250.0	12.5	700	170M5813	2	21/244
PSE300	90.6...302.0	18.0	800	170M6812	3	21/244
PSE370	111.0...370.0	27.4	900	170M6813	3	21/244

¹⁾ For the supply circuit 6 A delayed, for MCB use C characteristics.

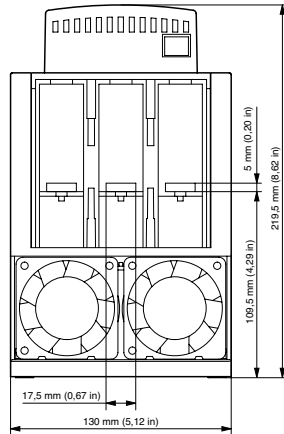
PSE - The efficient range

Dimensions

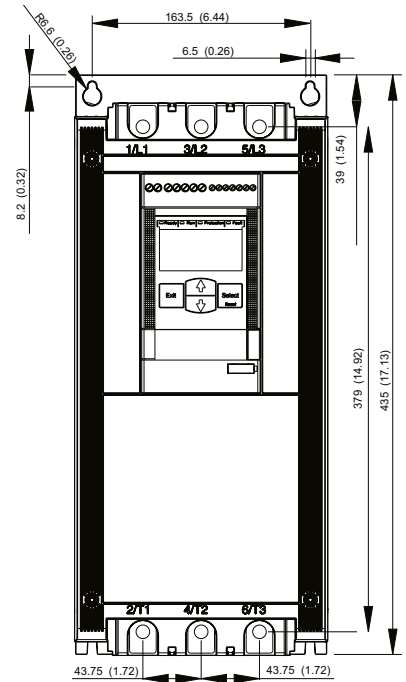
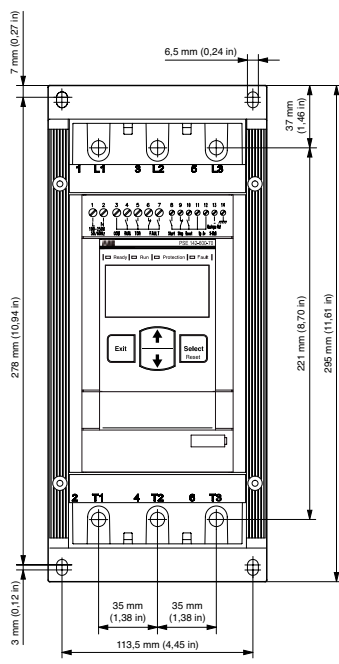
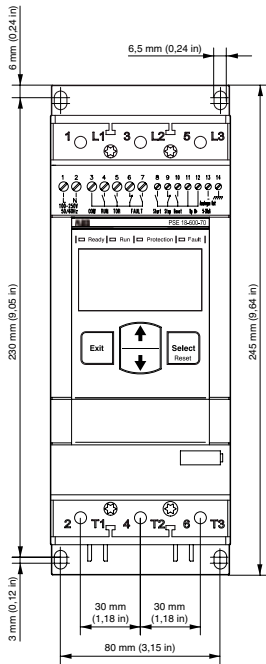
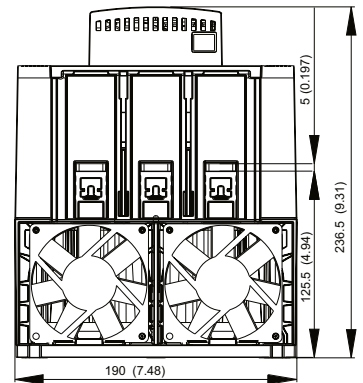
PSE18... 105



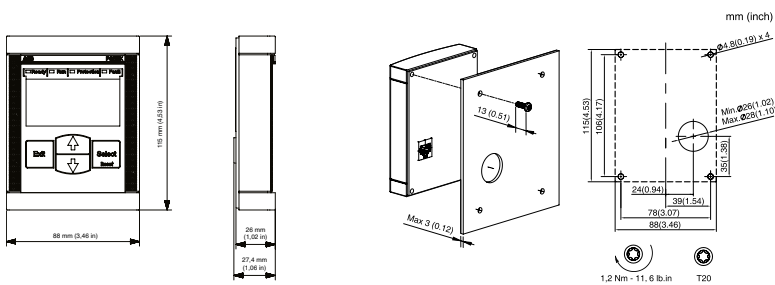
PSE142... 170



PSE210... 370



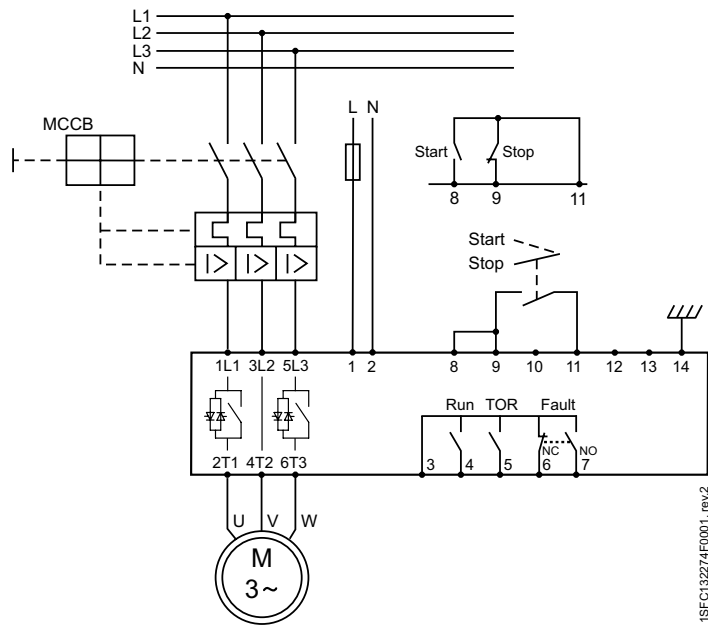
External keypad (PSEK)



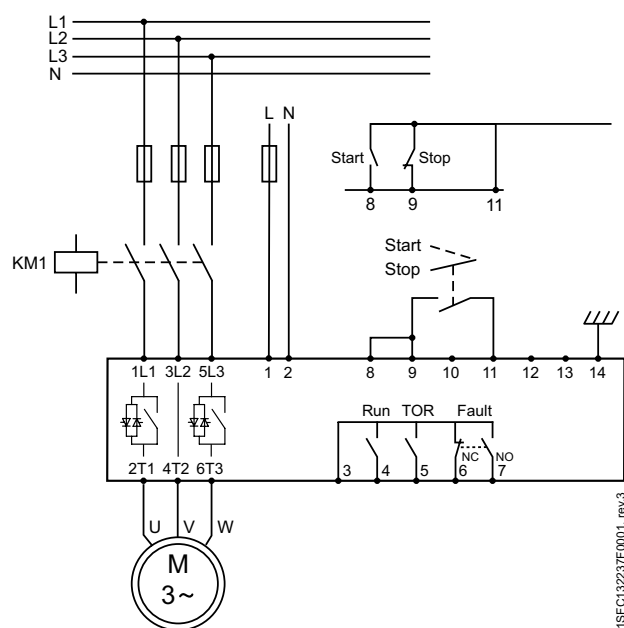
PSE - The efficient range

Circuit diagrams

—
PSE18... 370
With MCCB and line contactor



—
With fuses and line contactor



The PSTX combines many years of research and product development with extensive knowledge of application specific requirements and needs. It is our latest advancement in motor control & protection, and it adds new functionality and increased reliability.

PSTX

The advanced range

42	Introduction
44	Coordination examples
46	Ordering details
50	Accessories
52	Technical data
56	Dimensions
58	Circuit diagrams

PSTX - The advanced range

Introduction



Feature list

- Rated operational current: 30 to 1250 A
- Three-phase controlled
- Operational voltage: 208 – 690 VAC
- Wide rated control supply voltage: 100 – 250 V, 50/60 Hz (inside-delta: 2160 A)
- Both in-line and inside-delta connection
- Detachable keypad rated IP66 (4X outdoor)
- Graphical display with 17 languages for easy setup and operation
- Built-in bypass for energy saving and easy installation
- Built-in Modbus RTU for monitoring and control
- Support for all major communication protocols
- Analog output for measurement of current, voltage, power factor etc.



SECURE
MOTOR

Reliability

Complete motor protection

The PSTX offers complete motor protection in only one unit and is able to handle both load and network irregularities. PT-100, earth fault protection and over/under voltage protection along with many other functions keep your motor safer than ever. PSTX also offers three types of current limit: standard, dual and ramp. This gives you full control of your motor during start. It also allows you to use your motor in weaker networks.



IMPROVE
INSTALLATION

Efficiency

Built-in bypass saves time and energy

When reaching full speed, the PSTX will activate its bypass. This saves energy while reducing the softstarters heat generation. On the PSTX, the bypass is built in and verified by ABB, saving you time during installation and space in your panel.



INCREASE
APPLICATION

Productivity

Complete control of pumps

Time to use your processes to their full potential. The PSTX features many application enhancing features, including torque control: the most efficient way to start and stop pumps. The pump cleaning feature can reverse pump flow and clean out pipes, securing uptime of your pump system.



•IP66 HMI

A user-friendly and clear display saves you time and resources during both setup and operation. The detachable keypad is standard on all PSTX softstarters with IP66 and 4x outdoor for tough environments.



Jog with slow speed forward & reverse

The slow speed forward and backward jog feature will make you more flexible when operating e.g. conveyor belts and cranes.



Coated PCB

Coated circuit boards protecting from dust, moist and corrosive atmosphere



Heavy duty

Designed to handle heavy applications such as centrifugal fan, mill and mixers.



Torque control

The torque control function the absolutely best possible stop of pumps without water hammering and pressure surges.



Customizable

The PSTX has 17 pre-installed languages along with options to customize your own specific home screens (up to seven different). You can use your customized home screens to show status information important to your process and hide information that is not.



Easy to learn

A large graphical display along with built-in assistants make learning how to handle the PSTX fun and simple. The interface resembles other interfaces from ABB which will streamline and help with training of field personnel.



Detachable

The PSTX comes with a detachable keypad as standard. It can be placed on your panel door, meaning you do not have to interrupt your process in order to read status information or to change settings.

PSTX - The advanced range

Coordination examples



Normal start In-line connected

PSTX30... PSTX105

PSTX142... PSTX170

Softstarter	PSTX30	PSTX37	PSTX45	PSTX60	PSTX72	PSTX85	PSTX105	PSTX142	PSTX170
In-Line connected	15	18.5	22	30	37	45	55	75	90
(400 V) kW	30	37	45	60	72	85	106	143	171
IEC, max. A	20	25	30	40	50	60	75	100	125
UL, max. FLA	28	34	42	60	68	80	104	130	169
Using manual motor starter or MCCB, type 1 coordination will be achieved. ¹⁾	MCCB (50 kA) 400 V, 40 °C								
	XT2S160	XT2S160	XT2S160	XT2S160	XT2S160	XT2S160	XT2S160	XT2S160	XT4S250
Using gG fuses, type 1 coordination will be achieved. To achieve type 2 coordination, semiconductor fuses must be used. ¹⁾	Fuse protection (80 kA), Semiconductor fuses, Bussmann								
	170M1567	170M1568	170M1569	170M1569	170M1571	170M1572	170M3819	170M5810	170M5812
Suitable switch fuse for the recommended semiconductor fuses. ¹⁾	Switch fuse								
	OS32G	OS63G	OS63G	OS63G	OS125G	OS125G	OS250	OS400	OS400
The line contactor is not required for the softstarter itself but often used to open if OL trips ¹⁾	Line contactor								
	AF30	AF38	AF52	AF65	AF80	AF96	AF116	AF146	AF190

¹⁾ These is an example of coordination. For more examples see: applications.it.abb.com/SOC

PSTX - The advanced range

Coordination examples



PSTX210... PSTX370



PSTX470... PSTX570



PSTX720... PSTX840



PSTX1050... PSTX1250

Softstarter	PSTX210	PSTX250	PSTX300	PSTX370	PSTX470	PSTX570	PSTX720	PSTX840	PSTX1050	PSTX1250
In-Line connected	110	132	160	200	250	315	400	450	560	710
(400 V) kW	210	250	300	370	470	570	720	840	1050	1250
IEC, max. A	150	200	250	300	400	500	600	700	900	1000
UL, max. FLA	192	248	302	361	480	590	720	840	1062	1250
Using manual motor starter or MCCB, type 1 coordination will be achieved. ¹⁾	MCCB (50 kA) 400 V, 40 °C									
	T4S320	T5S400	T5S400	T5S630	T7S800	T7S800	T7S1250	T7S1250	E2.2N 2000	
Using gG fuses, type 1 coordination will be achieved. To achieve type 2 coordination, semiconductor fuses must be used. ¹⁾	Fuse protection (80 kA), Semiconductor fuses, Bussmann									
	170M5812	170M5813	170M6812	170M6813	170M6813	170M6814	170M8554	170M6018	170M6020	170M6021
Suitable switch fuse for the recommended semiconductor fuses. ¹⁾	Switch fuse									
	OS400	OS400	OS630	OS630	OS630	OS630	OS800	-	-	-
The line contactor is not required for the softstarter itself but often used to open if OL trips. ¹⁾	Line contactor									
	AF265	AF265	AF305	AF370	AF580	AF580	AF750	AF1350	AF1650	-

¹⁾ These is an example of coordination. For more examples see: applications.it.abb.com/SOC

PSTX - The advanced range

Normal starts, class 10, in-line

Ordering details



PSTX30... PSTX105 PSTX142... PSTX170 PSTX210... PSTX370 PSTX470... PSTX570 PSTX720... PSTX840 PSTX1050... PSTX1250

Rated operational voltage U_e , 208...600 V , rated control supply voltage U_s , 100...250 V AC, 50/60 Hz

IEC Rated operational power			UL/CSA Rated operational power					pkg/1pce				
400V	500V	690V	current	200/208V	220/240V	440/480V	550/600V	current	Type	Order code	kg	lb
P_e	P_e	P_e	I_e	P_e	P_e	P_e	P_e	FLA				
kW	kW	kW	A	hp	hp	hp	hp	A				
15	18.5	-	30	7.5	10	20	25	28	PSTX30-600-70	1SFA898103R7000	6.10	13.45
18.5	22	-	37	10	10	25	30	34	PSTX37-600-70	1SFA898104R7000	6.10	13.45
22	25	-	45	10	15	30	40	42	PSTX45-600-70	1SFA898105R7000	6.10	13.45
30	37	-	60	20	20	40	50	60	PSTX60-600-70	1SFA898106R7000	6.10	13.45
37	45	-	72	20	25	50	60	68	PSTX72-600-70	1SFA898107R7000	6.10	13.45
45	55	-	85	25	30	60	75	80	PSTX85-600-70	1SFA898108R7000	6.10	13.45
55	75	-	106	30	40	75	100	104	PSTX105-600-70	1SFA898109R7000	6.10	13.45
75	90	-	143	40	50	100	125	130	PSTX142-600-70	1SFA898110R7000	9.60	21.16
90	110	-	171	50	60	125	150	169	PSTX170-600-70	1SFA898111R7000	9.60	21.16
110	132	-	210	60	75	150	200	192	PSTX210-600-70	1SFA898112R7000	12.70	27.99
132	160	-	250	75	100	200	250	248	PSTX250-600-70	1SFA898113R7000	12.70	27.99
160	200	-	300	100	100	250	300	302	PSTX300-600-70	1SFA898114R7000	12.70	27.99
200	257	-	370	125	150	300	350	361	PSTX370-600-70	1SFA898115R7000	12.70	27.99
250	315	-	470	150	200	400	500	480	PSTX470-600-70	1SFA898116R7000	25.00	55.12
315	400	-	570	200	200	500	600	590	PSTX570-600-70	1SFA898117R7000	25.00	55.12
400	500	-	720	250	300	600	700	720	PSTX720-600-70	1SFA898118R7000	46.20	101.85
450	600	-	840	300	350	700	800	840	PSTX840-600-70	1SFA898119R7000	46.20	101.85
560	730	-	1050	400	450	900	1000	1062	PSTX1050-600-70	1SFA898120R7000	64.20	141.54
710	880	-	1250	400	500	1000	1200	1250	PSTX1250-600-70	1SFA898121R7000	64.70	142.64

Rated operational voltage U_e , 208...690 V , rated control supply voltage U_s , 100...250 V AC, 50/60 Hz

IEC Rated operational power			UL/CSA Rated operational power					pkg/1pce				
400V	500V	690V	current	200/208V	220/240V	440/480V	550/600V	current	Type	Order code	kg	lb
P_e	P_e	P_e	I_e	P_e	P_e	P_e	P_e	FLA				
kW	kW	kW	A	hp	hp	hp	hp	A				
15	18.5	25	30	7.5	10	20	25	28	PSTX30-690-70	1SFA898203R7000	6.10	13.45
18.5	22	30	37	10	10	25	30	34	PSTX37-690-70	1SFA898204R7000	6.10	13.45
22	25	37	45	10	15	30	40	42	PSTX45-690-70	1SFA898205R7000	6.10	13.45
30	37	55	60	20	20	40	50	60	PSTX60-690-70	1SFA898206R7000	6.10	13.45
37	45	59	72	20	25	50	60	68	PSTX72-690-70	1SFA898207R7000	6.10	13.45
45	55	75	85	25	30	60	75	80	PSTX85-690-70	1SFA898208R7000	6.10	13.45
55	75	90	106	30	40	75	100	104	PSTX105-690-70	1SFA898209R7000	6.10	13.45
75	90	132	143	40	50	100	125	130	PSTX142-690-70	1SFA898210R7000	9.60	21.16
90	110	160	171	50	60	125	150	169	PSTX170-690-70	1SFA898211R7000	9.60	21.16
110	132	184	210	60	75	150	200	192	PSTX210-690-70	1SFA898212R7000	12.70	27.99
132	160	220	250	75	100	200	250	248	PSTX250-690-70	1SFA898213R7000	12.70	27.99
160	200	257	300	100	100	250	300	302	PSTX300-690-70	1SFA898214R7000	12.70	27.99
200	257	355	370	125	150	300	350	361	PSTX370-690-70	1SFA898215R7000	12.70	27.99
250	315	450	470	150	200	400	500	480	PSTX470-690-70	1SFA898216R7000	25.00	55.12
315	400	560	570	200	200	500	600	590	PSTX570-690-70	1SFA898217R7000	25.00	55.12
400	500	710	720	250	300	600	700	720	PSTX720-690-70	1SFA898218R7000	46.20	101.85
450	600	800	840	300	350	700	800	840	PSTX840-690-70	1SFA898219R7000	46.20	101.85
560	730	1000	1050	400	450	900	1000	1062	PSTX1050-690-70	1SFA898220R7000	64.20	141.54
710	880	1200	1250	400	500	1000	1200	1250	PSTX1250-690-70	1SFA898221R7000	64.70	142.64

PSTX - The advanced range

Heavy-duty starts, class 30, in-line

Ordering details



PSTX30... PSTX105 PSTX142... PSTX170 PSTX210... PSTX370 PSTX470... PSTX570 PSTX720... PSTX840 PSTX1050... PSTX1250

Rated operational voltage U_e , 208...600 V, rated control supply voltage U_s , 100...250 V AC, 50/60 Hz

IEC Rated operational power			UL/CSA Rated operational power						pkg/1pce			
400V	500V	690V	current	200/208V	220/240V	440/480V	550/600V	current				
P_e	P_e	P_e	I_e	P_e	P_e	P_e	P_e	FLA	Type	Order code	weight	
kW	kW	kW	A	hp	hp	hp	hp	A			kg	lb
11	15	-	22	5	7.5	15	20	25	PSTX30-600-70	1SFA898103R7000	6.10	13.45
15	18.5	-	30	7.5	10	20	25	28	PSTX37-600-70	1SFA898104R7000	6.10	13.45
18.5	22	-	37	10	10	25	30	34	PSTX45-600-70	1SFA898105R7000	6.10	13.45
22	25	-	45	10	15	30	40	42	PSTX60-600-70	1SFA898106R7000	6.10	13.45
30	37	-	60	20	20	40	50	60	PSTX72-600-70	1SFA898107R7000	6.10	13.45
37	45	-	72	20	25	50	60	68	PSTX85-600-70	1SFA898108R7000	6.10	13.45
45	55	-	85	25	30	60	75	80	PSTX105-600-70	1SFA898109R7000	6.10	13.45
55	75	-	106	30	40	75	100	104	PSTX142-600-70	1SFA898110R7000	9.60	21.16
75	90	-	143	40	50	100	125	130	PSTX170-600-70	1SFA898111R7000	9.60	21.16
90	110	-	171	50	60	125	150	169	PSTX210-600-70	1SFA898112R7000	12.70	27.99
110	132	-	210	60	75	150	200	192	PSTX250-600-70	1SFA898113R7000	12.70	27.99
132	160	-	250	75	100	200	250	248	PSTX300-600-70	1SFA898114R7000	12.70	27.99
160	200	-	300	100	100	250	300	302	PSTX370-600-70	1SFA898115R7000	12.70	27.99
200	257	-	370	125	150	300	350	361	PSTX470-600-70	1SFA898116R7000	25.00	55.12
250	315	-	470	150	200	400	500	480	PSTX570-600-70	1SFA898117R7000	25.00	55.12
315	400	-	570	200	200	500	600	590	PSTX720-600-70	1SFA898118R7000	46.20	101.85
400	500	-	720	250	300	600	700	720	PSTX840-600-70	1SFA898119R7000	46.20	101.85
450	600	-	840	300	350	700	800	840	PSTX1050-600-70	1SFA898120R7000	64.20	141.54
560	730	-	1050	400	450	900	1000	1062	PSTX1250-600-70	1SFA898121R7000	64.70	142.64

Rated operational voltage U_e , 208...690 V, rated control supply voltage U_s , 100...250 V AC, 50/60 Hz

IEC Rated operational power			UL/CSA Rated operational power						pkg/1pce			
400V	500V	690V	current	200/208V	220/240V	440/480V	550/600V	current				
P_e	P_e	P_e	I_e	P_e	P_e	P_e	P_e	FLA	Type	Order code	weight	
kW	kW	kW	A	hp	hp	hp	hp	A			kg	lb
11	15	18.5	22	5	7.5	15	20	25	PSTX30-690-70	1SFA898203R7000	6.10	13.45
15	18.5	25	30	7.5	10	20	25	28	PSTX37-690-70	1SFA898204R7000	6.10	13.45
18.5	22	30	37	10	10	25	30	34	PSTX45-690-70	1SFA898205R7000	6.10	13.45
22	25	37	44	10	15	30	40	42	PSTX60-690-70	1SFA898206R7000	6.10	13.45
30	37	55	60	20	20	40	50	60	PSTX72-690-70	1SFA898207R7000	6.10	13.45
37	45	59	72	20	25	50	60	68	PSTX85-690-70	1SFA898208R7000	6.10	13.45
45	55	75	85	25	30	60	75	80	PSTX105-690-70	1SFA898209R7000	6.10	13.45
55	75	90	106	30	40	75	100	104	PSTX142-690-70	1SFA898210R7000	9.60	21.16
75	90	132	143	40	50	100	125	130	PSTX170-690-70	1SFA898211R7000	9.60	21.16
90	110	160	171	50	60	125	150	169	PSTX210-690-70	1SFA898212R7000	12.70	27.99
110	132	184	210	60	75	150	200	192	PSTX250-690-70	1SFA898213R7000	12.70	27.99
132	160	220	250	75	100	200	250	248	PSTX300-690-70	1SFA898214R7000	12.70	27.99
160	200	257	300	100	100	250	300	302	PSTX370-690-70	1SFA898215R7000	12.70	27.99
200	257	355	370	125	150	300	350	361	PSTX470-690-70	1SFA898216R7000	25.00	55.12
250	315	450	470	150	200	400	500	480	PSTX570-690-70	1SFA898217R7000	25.00	55.12
315	400	560	570	200	200	500	600	590	PSTX720-690-70	1SFA898218R7000	46.20	101.85
400	500	710	720	250	300	600	700	720	PSTX840-690-70	1SFA898219R7000	46.20	101.85
450	600	800	840	300	350	700	800	840	PSTX1050-690-70	1SFA898220R7000	64.20	141.54
560	730	1000	1050	400	450	900	1000	1062	PSTX1250-690-70	1SFA898221R7000	64.70	142.64

PSTX - The advanced range

Normal starts, class 10, inside delta

Ordering details



PSTX30 ... PSTX105 PSTX142 ... PSTX170 PSTX210 ... PSTX370 PSTX470 ... PSTX570 PSTX720 ... PSTX840 PSTX1050 ... PSTX1250

Rated operational voltage U_e , 208...600 V, rated control supply voltage U_s , 100...250 V AC, 50/60 Hz

IEC Rated operational power			UL/CSA Rated operational power								pkg/1pce		
400V	500V	690V	current	200/208V	220/240V	440/480V	550/600V	current		Type	Order code	kg	lb
P_e	P_e	P_e	I_e	P_e	P_e	P_e	P_e	FLA					
kW	kW	kW	A	hp	hp	hp	hp	A					
25	30	-	52	10	15	30	40	48		PSTX30-600-70	1SFA898103R7000	6.10	13.45
30	37	-	64	15	20	40	50	58		PSTX37-600-70	1SFA898104R7000	6.10	13.45
37	45	-	76	20	25	50	60	72		PSTX45-600-70	1SFA898105R7000	6.10	13.45
55	75	-	105	30	40	75	100	103		PSTX60-600-70	1SFA898106R7000	6.10	13.45
59	80	-	124	30	40	75	100	117		PSTX72-600-70	1SFA898107R7000	6.10	13.45
75	90	-	147	40	50	100	125	138		PSTX85-600-70	1SFA898108R7000	6.10	13.45
90	110	-	181	60	60	150	150	180		PSTX105-600-70	1SFA898109R7000	6.10	13.45
132	160	-	245	75	75	150	200	225		PSTX142-600-70	1SFA898110R7000	9.60	21.16
160	200	-	300	75	100	200	250	292		PSTX170-600-70	1SFA898111R7000	9.60	21.16
184	250	-	360	100	125	250	300	332		PSTX210-600-70	1SFA898112R7000	12.70	27.99
220	295	-	430	150	150	350	450	429		PSTX250-600-70	1SFA898113R7000	12.70	27.99
257	355	-	515	150	200	450	500	523		PSTX300-600-70	1SFA898114R7000	12.70	27.99
355	450	-	640	200	250	500	600	625		PSTX370-600-70	1SFA898115R7000	12.70	27.99
450	600	-	814	250	300	600	700	830		PSTX470-600-70	1SFA898116R7000	25.00	55.12
540	700	-	987	300	350	700	800	1020		PSTX570-600-70	1SFA898117R7000	25.00	55.12
710	880	-	1247	400	500	1000	1200	1240		PSTX720-600-70	1SFA898118R7000	46.20	101.85
800	1000	-	1455	500	600	1200	1500	1450		PSTX840-600-70	1SFA898119R7000	46.20	101.85
1000	1250	-	1810	600	700	1500	1800	1830		PSTX1050-600-70	1SFA898120R7000	64.20	141.54
1200	1500	-	2160	800	900	1800	2000	2160		PSTX1250-600-70	1SFA898121R1000	64.70	142.64

Rated operational voltage U_e , 208...690 V, rated control supply voltage U_s , 100...250 V AC, 50/60 Hz

IEC Rated operational power			UL/CSA Rated operational power								pkg/1pce		
400V	500V	690V	current	200/208V	220/240V	440/480V	550/600V	current		Type	Order code	kg	lb
P_e	P_e	P_e	I_e	P_e	P_e	P_e	P_e	FLA					
kW	kW	kW	A	hp	hp	hp	hp	A					
25	30	45	52	10	15	30	40	48		PSTX30-690-70	1SFA898203R7000	6.10	13.45
30	37	55	64	15	20	40	50	58		PSTX37-690-70	1SFA898204R7000	6.10	13.45
37	45	59	76	20	25	50	60	72		PSTX45-690-70	1SFA898205R7000	6.10	13.45
55	75	90	105	30	40	75	100	103		PSTX60-690-70	1SFA898206R7000	6.10	13.45
59	80	110	124	30	40	75	100	117		PSTX72-690-70	1SFA898207R7000	6.10	13.45
75	90	132	147	40	50	100	125	138		PSTX85-690-70	1SFA898208R7000	6.10	13.45
90	110	160	181	60	60	150	150	180		PSTX105-690-70	1SFA898209R7000	6.10	13.45
132	160	220	245	75	75	150	200	225		PSTX142-690-70	1SFA898210R7000	9.60	21.16
160	200	257	300	75	100	200	250	292		PSTX170-690-70	1SFA898211R7000	9.60	21.16
184	250	315	360	100	125	250	300	332		PSTX210-690-70	1SFA898212R7000	12.70	27.99
220	295	400	430	150	150	350	450	429		PSTX250-690-70	1SFA898213R7000	12.70	27.99
257	355	500	515	150	200	450	500	523		PSTX300-690-70	1SFA898214R7000	12.70	27.99
355	450	600	640	200	250	500	600	625		PSTX370-690-70	1SFA898215R7000	12.70	27.99
450	600	800	814	250	300	600	700	830		PSTX470-690-70	1SFA898216R7000	25.00	55.12
540	700	960	987	300	350	700	800	1020		PSTX570-690-70	1SFA898217R7000	25.00	55.12
710	880	1200	1247	400	500	1000	1200	1240		PSTX720-690-70	1SFA898218R7000	46.20	101.85
800	1000	1400	1455	500	600	1200	1500	1450		PSTX840-690-70	1SFA898219R7000	46.20	101.85
1000	1250	1700	1810	600	700	1500	1800	1830		PSTX1050-690-70	1SFA898220R7000	64.20	141.54
1200	1500	2000	2160	800	900	1800	2000	2160		PSTX1250-690-70	1SFA898221R7000	64.70	142.64

PSTX - The advanced range

Heavy-duty starts, class 30, inside delta

Ordering details



PSTX30 ... PSTX105 PSTX142 ... PSTX170 PSTX210 ... PSTX370 PSTX470 ... PSTX570 PSTX720 ... PSTX840 PSTX1050 ... PSTX1250

Rated operational voltage U_e , 208...600 V, rated control supply voltage U_s , 100...250 V AC, 50/60 Hz

IEC Rated operational power			UL/CSA Rated operational power						pkg/1pce			
400V	500V	690V	current	200/208V	220/240V	440/480V	550/600V	current	Type	Order code	Weight	
P_e	P_e	P_e	I_e	P_e	P_e	P_e	P_e	FLA			kg	lb
kW	kW	kW	A	hp	hp	hp	hp	A				
18.5	25	-	42	7.5	10	25	30	34	PSTX30-600-70	1SFA898103R7000	6.10	13.45
25	30	-	52	10	15	30	40	48	PSTX37-600-70	1SFA898104R7000	6.10	13.45
30	37	-	64	15	20	40	50	58	PSTX45-600-70	1SFA898105R7000	6.10	13.45
37	45	-	76	20	25	50	60	72	PSTX60-600-70	1SFA898106R7000	6.10	13.45
55	75	-	105	30	40	75	100	103	PSTX72-600-70	1SFA898107R7000	6.10	13.45
59	80	-	124	30	40	75	100	117	PSTX85-600-70	1SFA898108R7000	6.10	13.45
75	90	-	147	40	50	100	125	138	PSTX105-600-70	1SFA898109R7000	6.10	13.45
90	110	-	181	60	60	150	150	180	PSTX142-600-70	1SFA898110R7000	9.60	21.16
132	160	-	245	75	75	150	200	225	PSTX170-600-70	1SFA898111R7000	9.60	21.16
160	200	-	300	75	100	200	250	292	PSTX210-600-70	1SFA898112R7000	12.70	27.99
184	250	-	360	100	125	250	300	332	PSTX250-600-70	1SFA898113R7000	12.70	27.99
220	295	-	430	150	150	350	450	429	PSTX300-600-70	1SFA898114R7000	12.70	27.99
257	355	-	515	150	200	450	500	523	PSTX370-600-70	1SFA898115R7000	12.70	27.99
355	450	-	640	200	250	500	600	625	PSTX470-600-70	1SFA898116R7000	25.00	55.12
450	600	-	814	250	300	600	700	830	PSTX570-600-70	1SFA898117R7000	25.00	55.12
540	700	-	987	300	350	700	800	1020	PSTX720-600-70	1SFA898118R7000	46.20	101.85
710	880	-	1247	400	500	1000	1200	1240	PSTX840-600-70	1SFA898119R7000	46.20	101.85
800	1000	-	1455	500	600	1200	1500	1450	PSTX1050-600-70	1SFA898120R7000	64.20	141.54
1000	1250	-	1810	600	700	1500	1800	1830	PSTX1250-600-70	1SFA898121R7000	64.70	142.64

Rated operational voltage U_e , 208...690 V, rated control supply voltage U_s , 100...250 V AC, 50/60 Hz

IEC Rated operational power			UL/CSA Rated operational power						pkg/1pce			
400V	500V	690V	current	200/208V	220/240V	440/480V	550/600V	current	Type	Order code	Weight	
P_e	P_e	P_e	I_e	P_e	P_e	P_e	P_e	FLA			kg	lb
kW	kW	kW	A	hp	hp	hp	hp	A				
18.5	25	37	42	7.5	10	25	30	34	PSTX30-690-70	1SFA898203R7000	6.10	13.45
25	30	45	52	10	15	30	40	48	PSTX37-690-70	1SFA898204R7000	6.10	13.45
30	37	55	64	15	20	40	50	58	PSTX45-690-70	1SFA898205R7000	6.10	13.45
37	45	59	76	20	25	50	60	72	PSTX60-690-70	1SFA898206R7000	6.10	13.45
55	75	90	105	30	40	75	100	103	PSTX72-690-70	1SFA898207R7000	6.10	13.45
59	80	110	124	30	40	75	100	117	PSTX85-690-70	1SFA898208R7000	6.10	13.45
75	90	132	147	40	50	100	125	138	PSTX105-690-70	1SFA898209R7000	6.10	13.45
90	110	160	181	60	60	150	150	180	PSTX142-690-70	1SFA898210R7000	9.60	21.16
132	160	220	245	75	75	150	200	225	PSTX170-690-70	1SFA898211R7000	9.60	21.16
160	200	257	300	75	100	200	250	292	PSTX210-690-70	1SFA898212R7000	12.70	27.99
184	250	315	360	100	125	250	300	332	PSTX250-690-70	1SFA898213R7000	12.70	27.99
220	295	400	430	150	150	350	450	429	PSTX300-690-70	1SFA898214R7000	12.70	27.99
257	355	500	515	150	200	450	500	523	PSTX370-690-70	1SFA898215R7000	12.70	27.99
355	450	600	640	200	250	500	600	625	PSTX470-690-70	1SFA898216R7000	25.00	55.12
450	600	800	814	250	300	600	700	830	PSTX570-690-70	1SFA898217R7000	25.00	55.12
540	700	960	987	300	350	700	800	1020	PSTX720-690-70	1SFA898218R7000	46.20	101.85
710	880	1200	1247	400	500	1000	1200	1240	PSTX840-690-70	1SFA898219R7000	46.20	101.85
800	1000	1400	1455	500	600	1200	1500	1450	PSTX1050-690-70	1SFA898220R7000	64.20	141.54
1000	1250	1700	1810	600	700	1500	1800	1830	PSTX1250-690-70	1SFA898221R7000	64.70	142.64

PSTX - The advanced range

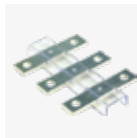
Accessories



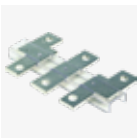
01 Cable connectors for CU cables



02 Cable connectors for AL cables



03 Terminal extensions



04 Terminal enlargements



05 Terminal shrouds

Cable connectors for Cu cables

Article	Wire range mm ²	Tightening torque max Nm	Type	Order code	Pkg qty	kg	lb
PSTX142 ... PSTX170	6-120	8	-	1SDA066917R1	3	0.182	0.401
PSTX142 ... PSTX170	2 x (50-95)	16	LZ185-2C/120	1SFN074709R1000	3	0.300	0.661
PSTX210 ... PSTX370	16-240	25	-	1SDA055016R1	3	0.358	0.789
PSTX210 ... PSTX370	2 x (70-185)	22	OZXB4/1	1SCA022194R0890	1	0.190	0.419
PSTX470 ... PSTX570	2 x (120-240)	35	-	1SDA013922R1	3	0.570	1.257
PSTX570 ... PSTX1050	3 x (70-185)	45	-	1SDA013956R1	3	0.570	1.257

Cable connectors for Al cables

Article	Wire range mm ²	Tightening torque max Nm	Type	Order code	Pkg qty	kg	lb
PSTX142 ... PSTX170	95-185	31	-	1SDA054988R1	3	0.140	0.309
PSTX210 ... PSTX370	185-240	43	-	1SDA055020R1	3	0.244	0.538
PSTX470 ... PSTX1050	2 x (120-240)	31	-	1SDA023380R1	3	0.110	0.243

Terminal extensions

Article	Dimensions hole ø mm2	bar mm	Type	Order code	Pkg qty	kg	lb
PSTX142 ... PSTX170	8.5	17.5 x 5	LX205	1SFN074810R1000	1	0.250	5.551
PSTX210 ... PSTX370	10.5	20 x 5	LX370	1SFN075410R1000	1	0.350	0.772
PSTX470 ... PSTX570	10.5	25 x 5	LX460	1SFN075710R1000	1	0.500	1.102
PSTX720 ... PSTX840	13	40 x 6	LX750	1SFN076110R1003	1	0.850	1.874

Terminal enlargements

Article	Dimensions hole ø mm2	bar mm	Type	Order code	Pkg qty	kg	lb
PSTX30 ... PSTX105	6.5	15 x 3	LW110	1SFN074307R1000	1	0.066	0.146
PSTX142 ... PSTX170	10.5	17.5 x 5	LW205	1SFN074807R1000	1	0.250	5.551
PSTX210 ... PSTX370	10.5	20 x 5	LW370	1SFN075407R1000	1	0.450	0.992
PSTX470 ... PSTX570	10.5	25 x 5	LW460	1SFN075707R1000	1	0.730	1.609
PSTX720 ... PSTX840	13	40 x 6	LW750	1SFN076107R1000	1	1.230	2.712

Terminal shrouds

Article	Description	Type	Order code	Pkg qty	kg	lb
PSTX142 ... PSTX170	short for use with cable clamps	LT205-30C	1SFN124801R1000	2	0,050	0.110
PSTX142 ... PSTX170	long for use with compression lugs	LT205-30L	1SFN124803R1000	2	0.220	0.485
PSTX210 ... PSTX370	short for use with cable clamps	LT370-30C	1SFN125401R1000	2	0.035	0.077
PSTX210 ... PSTX370	long for use with compression lugs	LT370-30L	1SFN125403R1000	2	0.280	0.617
PSTX210 ... PSTX370	long and deep for use with extending cable clamps, ATK300/2 and OZXB4	LT370-30D	1SFN125406R1000	2	0.150	0.331
PSTX470 ... PSTX570	short for use with cable clamps	LT460-AC	1SFN125701R1000	2	0.100	0.220
PSTX470 ... PSTX570	long for use with compression lugs	LT460-AL	1SFN125703R1000	2	0.800	1.764
PSTX720 ... PSTX1250	short for use with cable clamps	LT750-AC	1SFN126101R1000	2	0.120	0.265
PSTX720 ... PSTX1250	long for use with compression lugs	LT750-AL	1SFN126103R1000	2	0.825	1.819

PSTX - The advanced range

Accessories



01 USB cable

02
- Profibus DP-V1
- Modbus RTU

03 DeviceNet



04 BACnet MS/TP

05
- BACnet IP
- EtherCAT
- EtherNet/IP
- Modbus TCP
- Profinet IO

PSTX USB cable

Article	Type	Order code	Pkg qty	kg	lb
PSTX USB Cable	PSCA-1	1SFA899314R1001	1	0.054	0.119

Anybus connection accessory for communication protocol suitable for PSTX30 ...PSTX1250

Article	Type	Order code	Pkg qty	kg	lb
Profibus	AB-PROFIBUS-1	1SFA899300R1001	1	0.031	0.683
DeviceNet	AB-DEVICENET-1	1SFA899300R1002	1	0.042	0.093
Modbus-RTU	AB-MODBUS-RTU-1	1SFA899300R1003	1	0.042	0.093
NEW BACnet IP	AB-BACNET-IP-2	1SFA899300R1004	1	0.028	0.062
EtherNet/IP (2-port)	AB-ETHERNET-IP-2	1SFA899300R1006	1	0.028	0.062
Modbus/TCP (2-port)	AB-MODBUS-TCP-2	1SFA899300R1008	1	0.028	0.062
Profinet (2-port)	AB-PROFINET-IO-2	1SFA899300R1010	1	0.028	0.062
NEW BACnet MS/TP	AB-BACNET-MSTP-1	1SFA899300R1011	1	0.042	0.093
NEW EtherCAT	AB-ETHERCAT-IP-2	1SFA899300R1012	1	0.028	0.062

Fieldbus plug connection, cable included

Article	Type	Order code	Pkg qty	kg	lb
Fieldbus plug adaptor	PS-FBPA	1SFA896312R1002	1	0.060	0.132

I/O module, 24 V DC digital input

Article	Type	Order code	Pkg qty	kg	lb
Extension module for I/O	DX111-FBP.0	1SAJ611000R0101	1	0.220	0.485
Extension module for I/O 24 VDC	DX122-FBP.0	1SAJ622000R0101	1	0.220	0.485

PSTX - The advanced range

Technical data

Technical data	PSTX30... 1250
Rated insulation voltage U_i	690V
Rated operational voltage U_e	208...600 V, 208...690V +10% / -15%, 50/60Hz \pm 10%
Rated control supply voltage U_s	100...250 V +10%/-15%, 50/60Hz \pm 10%
Rated control circuit voltage U_c	Internal or external 24 V DC
Starting capacity at I_e	4 x I_e for 10 sec
Number of starts per hour	10 for PSTX30 ... PSTX370 ¹⁾ 6 for PSTX470 ... PSTX1250 ¹⁾
Overload capability	Overload class 10
Maximum altitude	4000 m (13123 ft) ³⁾
Ambient temperature	
During operation	-25...+60 °C, (-13...+140 F) ²⁾
During storage	-40...+70 °C, (-40...+158 F)
Degree of protection	
Main circuit	-
Supply and control circuit	IP20
Main circuit	
Built-in bypass contactor	Yes
Cooling system - Fan cooled	Yes (thermostat controlled)
HMI for settings (Human Machine Interface)	
Display	LCD type, graphical
Languages	Arabic, Chinese, Czech, Dutch, English, Finnish, French, German, Greek, Indonesian, Italian, Polish, Portuguese, Russian, Spanish, Swedish and Turkish
Keypad	2 selection keys, 4 navigation keys, start key, stop key, info key and remote/local key
Signal relays	
Number of programmable signal relays	3 (each relay can be programmed to None, Run, Top of ramp, Event group 0-6, Sequence 1-3 Run, Sequence 1-3 Top of ramp or Run reverse)
K4	Default as Run signal
K5	Default as Top of Ramp (Bypass) signal
K6	Default as Event group 0 (Faults)
Rated operational voltage, U_e	250 V AC/24 V DC
Rated thermal current I_{th}	5 A
Rated operational current I_e at AC-15 ($U_e=250$ V)	1.5 A
Analog output	
Output signal reference	0...10 V, 0...10 mA, 0...20 mA, 4...20 mA
Type of output signal	Motor current (A), Main voltage (V), Active power (kW), Active power (HP), Reactive power (kVAr), Apparant power (kVArh), Active energy (kWh), Reactive energy (kVArh), cos phi, Motor temperature (%), Thyristor temperature (%), Motor voltage (%), Main frequency (Hz), PT100 temperature (centigrade), PTC resistance (Ohm)

Control circuit	
Number of inputs	2 (start, stop)
Number of additional programmable inputs	3 (each input can be programmed to: None, Reset, Enable, Slow speed forward (Jog), Slow speed reverse (Jog), Motor heating, Stand still brake, Start reverse, User defined protection, Emergency mode (active high), Emergency mode (active low), Fieldbus disable control, Start 1, Start 2, Start 3, Switch to remote control or Cancel brake)
Signalling indication LED	
Ready	Green
Run	Green
Fault	Red
Protection	Yellow
External keypad	
Detachable keypad	Yes
Display	LCD type, graphical
Ambient temperature	
During operation	-25...+60 °C, (-13...+140 F)
During storage	-40...+70 °C, (-40...+158 F)
Degree of protection	IP66 (Type 1, 4X, 12)
Start and stop functions	
Soft start with voltage ramp	Linear voltage ramp, suitable for most applications
Soft stop with voltage ramp	Used to prolong the stop sequence
Soft start with torque control	Linear torque ramp, the best way to start pumps
Soft stop with torque control	Commonly used to reduce water hammering in pumps
Kick start	More power in the start for heavy duty applications.
Full voltage start	0.5 second start ramp for applications with need of high starting torque
Sequence start	Start multiple motors with one softstarter
Current limit	Limits the current below a specified value
Dual current limit	Consist of a low level, a high level and a time between them
Current limit ramp	A linear increase of the current from the low to the high level
Torque limit	Limit the torque to between 20-200%
Pre-start function	Use Motor heating, Stand still brake or Jog automatically prior to start ramp
Jog with slow speed, forward and reverse	Run the motor in three different speeds, both forward and reverse
Start reverse (external contactors)	Internal logic that allows control of external contactors for reverse start
Dynamic brake	Provides a braking force to decrease stop time

¹⁾ Valid for normal start (class 10) for 50% on time and 50% off time. If other data is required, contact your local ABB office.

²⁾ Above 40 °C (104 F) up to max. 60 °C (140 F) reduce the rated current with 0,8% per °C (0,44% per F).

³⁾ When used at high altitudes, above 1000 meters (3281 ft) up to 4000 meters (13123 ft), de-rate the rated current using the following formula.

[% of $I_e = 100 - \frac{x-1000}{1000}] \times$ = actual altitude of the softstarter in meter, [% of $I_e = 100 - \frac{x-3280}{1000}] \times$ = actual altitude of the softstarter in feet. For de-rating of voltage, contact your local ABB office. 150

PSTX - The advanced range

Technical data

Fieldbus connection	
Built-in Modbus RTU	Yes, with RS485 interface on terminals 23 and 24
Connection for Anybus	Yes, including most common protocols, see catalog for details
Connection for ABB Fieldbus plug	Yes, compatible with a special adapter, see catalog for details
Protections	
Electronic overload protection, EOL	User defined, class 10A, 10, 20, 30
Dual overload (separate overload for start and run)	Possible to set separate overloads for start and full speed
PTC connection	User defined temperature control with external PTC sensor
PT-100 connection	User defined temperature control with external PT-100 sensor
Locked rotor protection	Prevents start if motor is stuck, e.g. stuck pumps and conveyors
Current underload protection	Stops the process if the load is too light, e.g. a pump running dry
Current imbalance protection	User defined, checks current imbalance between the phases
Power factor underload protection	User defined, trip if power factor is out of range
Under voltage protection	User defined, prevents the motor from stalling in weak networks
Over voltage protection	User defined, prevents the motor from damage at high voltage levels
Voltage imbalance protection	User defined, checks voltage imbalance between the phases
Earth fault protection / ground fault protection	User defined, 0.1-1.0 sec, stops the process if earth fault is detected
Phase reversal protection	Prevents start if phases are connected in the wrong order
Bypass open protection	Trips if the bypass is open when it should be closed
User defined protection	Programmable input, can be used with external protection device
Too long current limit protection	User defined, trips when the current has been at the current limit for too long time
HMI failure protection	Indicates communication failure between softstarter and HMI
Fieldbus failure protection	Indicates communication failure between softstarter and PLC
Extension IO failure protection	Indicates communication failure between softstarter and IO module
Max number of starts/hour	Prevents start if the thyristors gets too warm (thus used over specification)
Too long start time protection	User defined, trips when the starting time exceeds a set value
External faults detection	
Phase loss	Yes
High current	Yes
Low control supply voltage	Yes
Faulty usage	Yes, e.g. using limp mode inside-delta
Faulty connection	Yes
Bad network quality	Yes

For all functions and features see installation and commissioning manual, available on <https://new.abb.com/drives/softstarters>

Warnings	
Current underload warning	User defined on/off
Current imbalance warning	User defined on/off
Voltage imbalance warning	User defined on/off
Thyristor overload warning (SCR)	User defined on/off
Electronic overload Time-to-trip	User defined on/off
Short circuit warning (for Limp mode)	User defined on/off, for Limp mode
Over voltage warning	User defined on/off
Under voltage warning	User defined on/off
Power factor underload warning	User defined on/off
Locked rotor warning	User defined on/off
Faulty fan warning	User defined on/off
THD(U) - Total Harmonic Distortion warning	User defined on/off
Motor runtime limit warning	User defined on/off
Phase loss warning (for stand by)	User defined on/off, for stand by
EOL warning	User defined on/off
Internal faults detection	
Thyristor overload	Yes
Short circuit	Yes
Open circuit thyristor or gate	Yes
Heat sink over temperature	Yes
Shunt fault	Yes
PTC input	
Switch off resistance	2825 ohm ± 20%
Switch on resistance	1200 ohm ± 20%
Other functions	
Real time clock	Can maintain time when the softstarter isn't powered up, 48 h back-up
Event log	Log of events such as trips, parameters changed and operation
Emergency mode	To keep the softstarter running regardless of trip or failure. Activated via DI
Automatic restart	In case of trip and stopped motor, the softstarter can restart itself
Keypad password	Lock the keypad to inhibit unauthorized motor control
Pump cleaning	Can reverse pump flow and clean out pipes
Electronic overload Time-to-cool	Time until the motor is ready to be restarted after an EOL trip
Thyristor runtime measurement	Measures most electrical variables, e.g. voltage, current and power
Auto phase sequence detection	Detection of the phase sequence
Electricity metering	Measures most electrical variables, e.g. voltage, current and power
Motor heating	DC injection in all windings to heat up the motor. Useful in cold or humid environment
Stand still brake	Prevents the motor from moving, useful to keep fans from reversing
Voltage sags detection	User defined
Limp mode with two-phase motor control if one set of thyristors is shorted	Can keep process running until planned maintenance

PSTX - The advanced range

Technical data

Fuse ratings and power losses

Softstarter	Current range	Max power loss at rated I_e	Max fuse rating - main circuit ^{1) 2)}			Power requirements supply circuit Holding (VA) / Pull-in (VA)
	A		W	A	Type	
PSTX30	9.0...30.0	0.8	100	170M1567	000	49/51
PSTX37	11.1...37.0	1.2	125	170M1568	000	49/51
PSTX45	13.5...45.0	1.8	160	170M1569	000	49/51
PSTX60	18.0...60.0	3.2	160	170M1569	000	49/51
PSTX72	21.6...72.0	4.7	250	170M1571	000	49/51
PSTX85	22.5...85.0	6.5	315	170M1572	000	49/51
PSTX105	31.8...106.0	10	400	170M3819	1*	49/51
PSTX142	42.9...143.0	18	500	170M5810	2	49/53
PSTX170	51.3...171.0	26	630	170M5812	2	49/53
PSTX210	63.0...210.0	48	630	170M5812	2	56/276
PSTX250	75.0...250.0	68	700	170M5813	2	56/276
PSTX300	90.0...300.0	97	800	170M6812	3	56/276
PSTX370	111.0...370.0	148	900	170M6813	3	56/276
PSTX470	141.0...470.0	99	900	170M6813	3	67/434
PSTX570	171.0...570.0	146	1000	170M6814	3	67/434
PSTX720	216.0...720.0	78	1250	170M8554	3	61/929
PSTX840	252.0...840.0	106	1500	170M6018	3	61/929
PSTX1050 ³⁾	315.0...1050.0	165	1800	170M6020	3	68/929
PSTX1250 ^{3) 4)}	375.0...1250.0	234	2000	170M6021	3	68/929

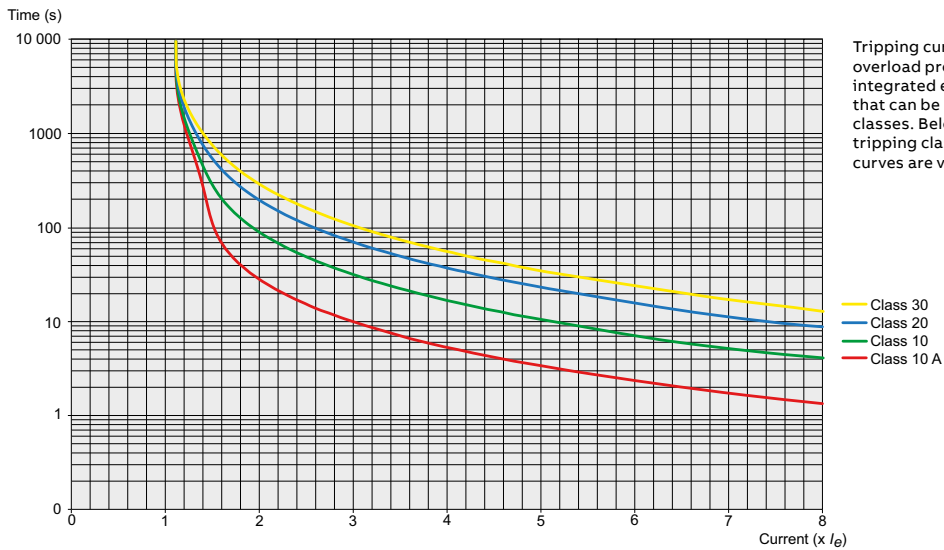
¹⁾ For the supply circuit 6 A delayed, for MCB use C characteristics.

²⁾ For inside delta connection the fuses shall be placed inside the delta. Contact ABB for more information.

³⁾ 170M6019 with fuse rating 1600 A should be used for 690 V version.


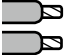


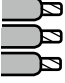



⁴⁾ For 690 V version, Bussmann fuses are only available for motors with rated current up to 1150 A.

Tripping curves for electronic overload protection (cold) for PSE and PSTX



PSTX - The advanced range

Technical data

Main terminals						
Article	PSTX30 ... PSTX105	PSTX142 ... PSTX170	PSTX210 ... PSTX370	PSTX470 ... PSTX570	PSTX720 ... PSTX1050	PSTX1250
 Cu cable - flexible 1 x mm²	10...70 mm ²	6...120 mm ²	16...240 mm ²	-	-	-
Clamp type	Included	1SDA066917R1	1SDA055016R1	-	-	-
Tightening torque	8 Nm	14 Nm	25 Nm	-	-	-
 Cu cable - flexible 2 x mm²	6...35 mm ²	50...95 mm ²	70...185 mm ²	-	-	-
Clamp type	Included	LZ185-2C/120 1SFN074709R1000	OZXB4 ¹⁾ 1SCA022194R0890	-	-	-
Tightening torque	8 Nm	16 Nm	22 Nm	-	-	-
 Cu cable - Stranded 1 x mm²	10...95 mm ²	6...150 mm ²	16...300 mm ²	-	-	-
Clamp type	Included	1SDA066917R1	1SDA055016R1	-	-	-
Tightening torque	8 Nm	14 Nm	25 Nm	-	-	-
 Cu cable - Stranded 2 x mm²	6...35 mm ²	50...120 mm ²	70...185 mm ²	120...240 mm ²	-	-
Clamp type	Included	LZ185 - 2C/120 1SFN074709R1000	OZXB4 ¹⁾ 1SCA022194R0890	1SDA013922R1	-	-
Tightening torque	8 Nm	16 Nm	22 Nm	35 Nm	-	-
 Cu cable - Stranded 3 x mm²	-	-	-	-	70...185 mm ²	-
Clamp type	-	-	-	-	1SDA013956R1	-
Tightening torque	-	-	-	-	45 Nm	-
 Al cable - Stranded 1 x mm²	-	95...185 mm ²	185...240 mm ²	-	-	-
Clamp type	-	1SDA0549881R1	1SDA055020R1	-	-	-
Tightening torque	-	31 Nm	43 Nm	-	-	-
 Al cable - Stranded 2 x mm²	-	-	-	120...240 mm ²	-	-
Clamp type	-	-	-	1SDA023380R1	-	-
Tightening torque	-	-	-	31 Nm	-	-
 Lugs Width ≤	-	24 mm (0.945 in)	32 mm (1.260 in)	47 mm (1.850 in)	50 mm (1.969 in)	50 mm (1.969 in)
Diameter ≥	-	8 mm (0.355 in)	10.2 mm (0.402 in)	10.5 mm (0.413 in)	12.5 mm (0.492 in)	13 mm (0.519 in)
Tightening torque	-	18 Nm (160 in lb)	28 Nm (248 in lb)	35 Nm (310 in lb)	45 Nm (398 in lb)	45 Nm (398 in lb)
Connection capacity acc to UL / CSA 1 x AWG / kcmil	6...2/0	6...300 kcmil	4...400 kcmil	-	-	-
Clamp type	Included	ATK185	ATK300	-	-	-
Tightening torque	71 in lb	300 in lb	375 in lb	-	-	-
Connection capacity acc to UL / CSA 2 x AWG / kcmil	-	-	4...500 kcmil	2/0...500 kcmil	2/0...500 kcmil	-
Clamp type	-	-	ATK300/2 ²⁾	ATK580/2	ATK580/2	-
Tightening torque	-	-	375 in lb	375 in lb	375 in lb	-
Connection capacity acc to UL / CSA 3 x AWG / kcmil	-	-	-	2/0...500 kcmil	2/0...500 kcmil	-
Clamp type	-	-	-	ATK750/3	ATK750/3	-
Tightening torque	-	-	-	375 in lb	375 in lb	-
Supply and control circuit						
Cu cable - Stranded 1 x mm ²	0.75...2.5 mm ² (19...14 AWG)					
Cu cable - Stranded 2 x mm ²	0.75...1.5 mm ² (19...16 AWG)					
Tightening torque	0.5 Nm (4.4 in lb)					

¹⁾ Terminal shrouds 1SFN125406R1000 must be used.

²⁾ Terminal shrouds 1SFN125406R1000 can be used.

PSTX integrated bypass ratings

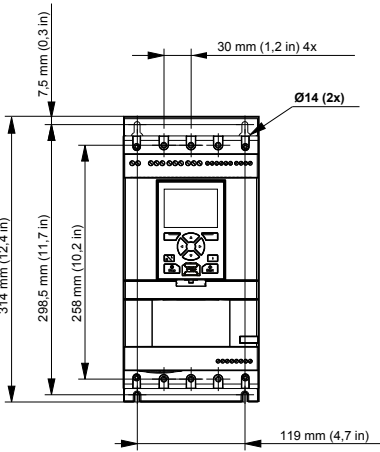
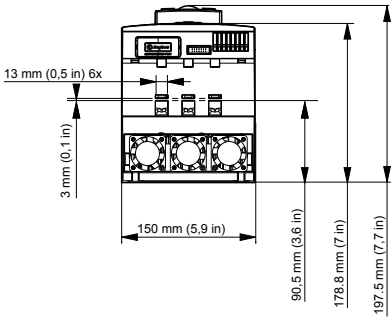
All ABB's softstarters are equipped with a built-in bypass contactor. This bypass contactor is rated AC-1 since it only make and break the motor in full speed at the rated current of the softstarter. However, in the PSTX470-PSTX1050 products, the bypass contactors has also a lower rated AC-3 rating which is shown in the table below.

Softstarter	PSTX470... PSTX570	PSTX720... PSTX1050	PSTX1250
Integrated contactor	AF370	AF750	AF1250
AC-3 rating at 400 V	370 A	750 A	-
IEC AC-3 Rated operational power at 400 V	200 kW	400 kW	-
UL/CSA 3-phase motor rating at 480 V	300 hp	600 hp	-

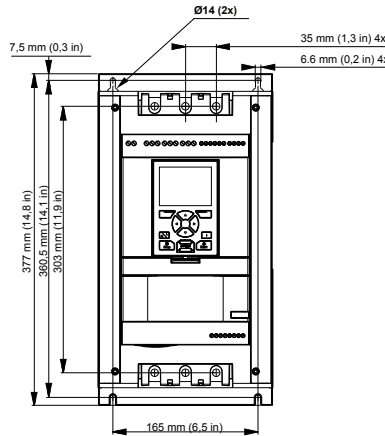
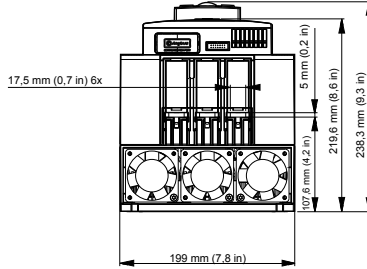
PSTX - The advanced range

Dimensions

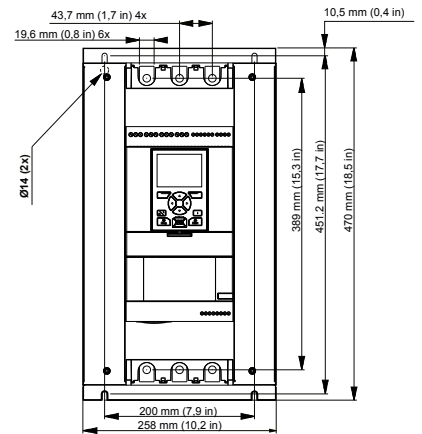
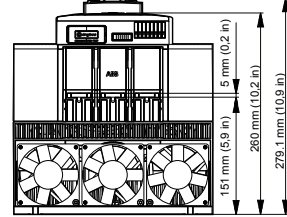
PSTX30... 105



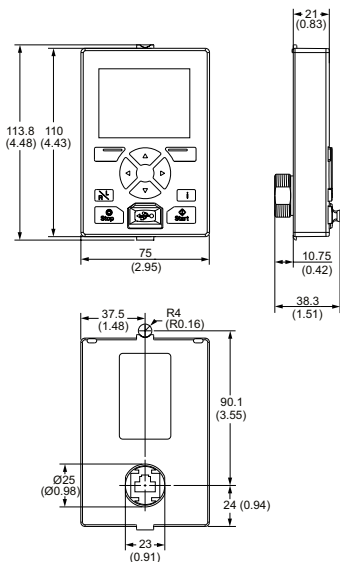
PSTX142... 170



PSTX210... 370



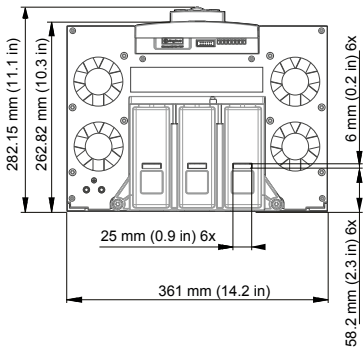
PSTX detachable keypad



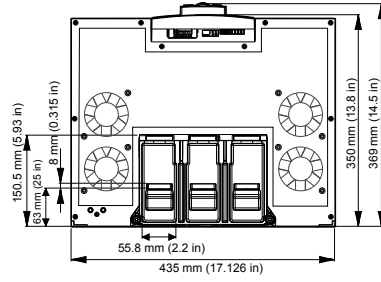
PSTX - The advanced range

Dimensions

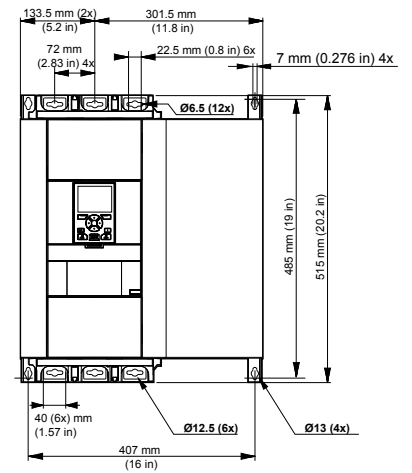
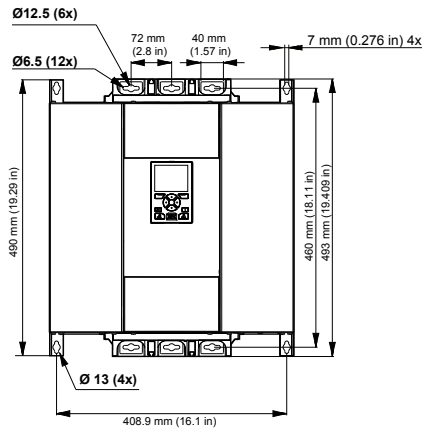
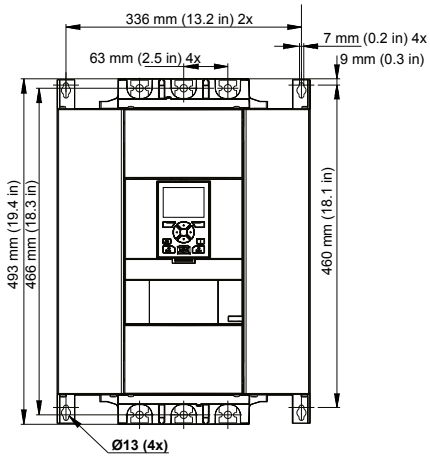
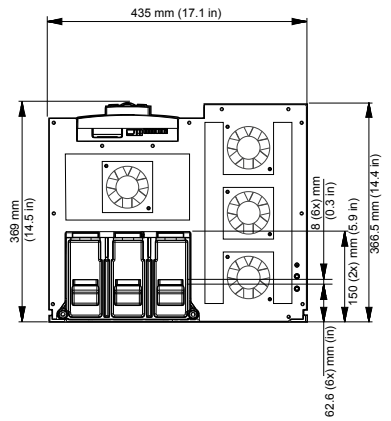
PSTX470... 570



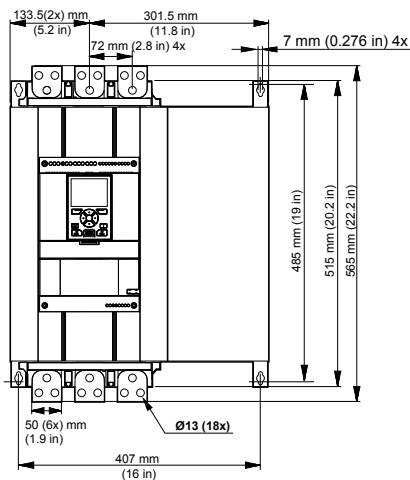
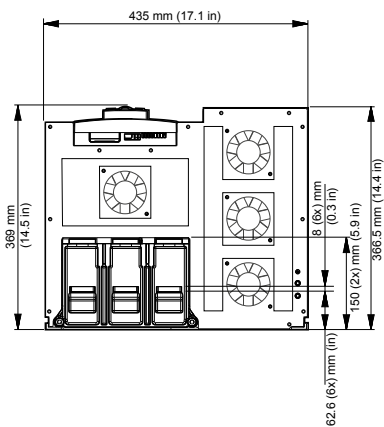
PSTX720... 840



PSTX1050



PSTX1250



PSTX - The advanced range

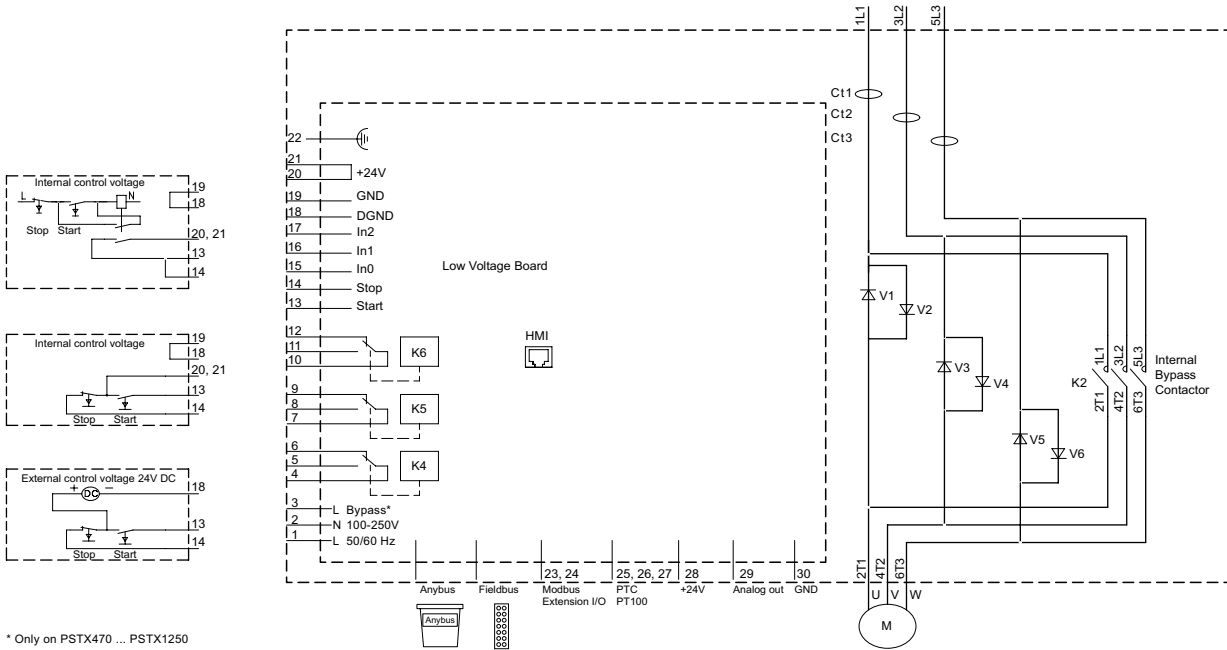
Circuit diagrams



CAUTION

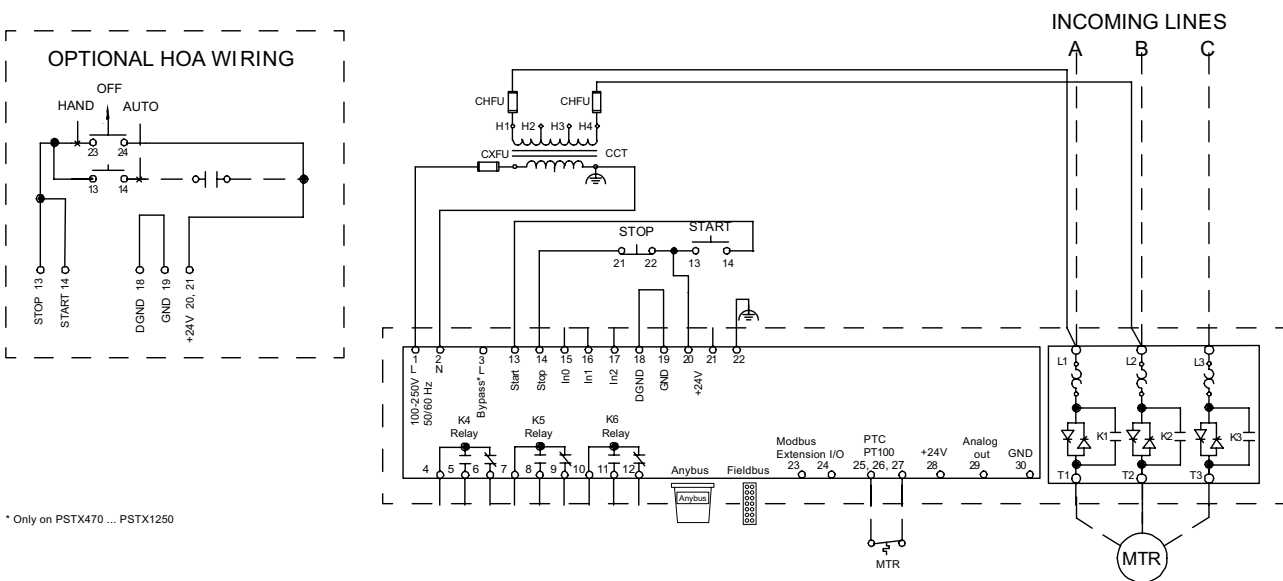
Terminal 22 is a function earth, it is not a protective earth. It shall be connected to the mounting plate.

PSTX30 ... PSTX1250 IEC circuit diagram



* Only on PSTX470 ... PSTX1250

PSTX30 ... PSTX1250 UL circuit diagram



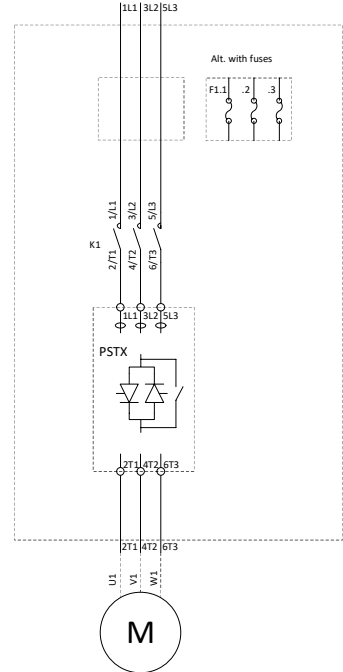
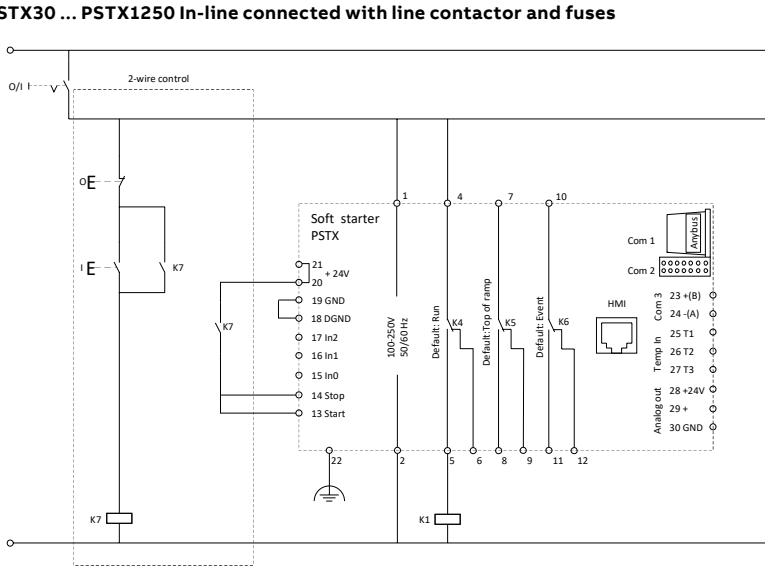
* Only on PSTX470 ... PSTX1250

For more circuit diagrams see <https://new.abb.com/drives/softstarters>

PSTX - The advanced range

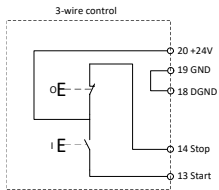
Circuit diagrams

PSTX30 ... PSTX1250 In-line connected with line contactor and fuses

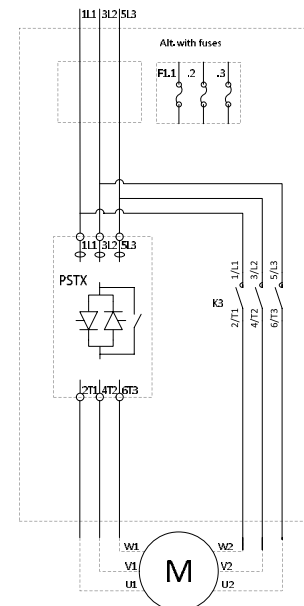
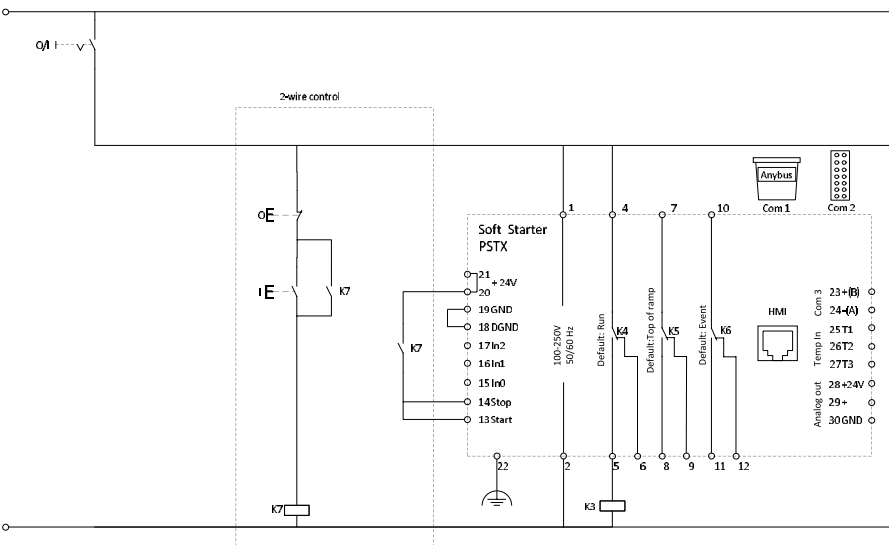


Coil consumption for main contactors.
 Pul-in max 15A
 Holding max 1.5A

If the pull-in or holding values are higher, the main contactors must be controlled via an auxiliary contactor.

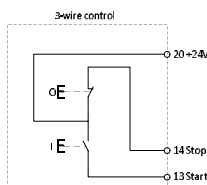


PSTX30 ... PSTX1250 Inside-delta connected with contactor and fuses



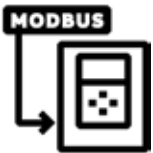
Coil consumption for Inside Delta contactor.
 Pul-in max 15A
 Holding max 1,5A

If the pull-in or holding values are Higher, the Inside Delta contactor must be controlled via an auxiliary contactor.



Fieldbus communication

For PSR, PSE and PSTX



Fieldbus communication interface offering

PSR, PSE and PSTX softstarters can be connected to a fieldbus network for monitoring and control. All major industrial fieldbus protocols are covered with different accessories making the installation very flexible.

Built-in Modbus-RTU for PSTX and PSE

- Built-in Modbus RTU communication interface
- Easy to install using the Modbus RTU adaptor which is included with the Softstarter
- Through this communication interface it is possible to get full control and status information of the Softstarter as well as reading- and writing parameters

Anybus connection for PSTX

- Anybus connection accessory for communication protocol suitable for PSTX30... PSTX1250



01 PROFIBUS



02 DeviceNet



03 Modbus RTU



04 BACnet IP



05 EtherNet IP



06 Modbus TCP



07 PROFINET



08 BACnet MS/TP



09 EtherCAT

Anybus connection accessory for communication protocol suitable for PSTX30 ...PSTX1250

Article	Type	Order code	Pkg qty	kg	lb
Profibus	AB-PROFIBUS-1	1SFA899300R1001	1	0.031	0.683
DeviceNet	AB-DEVICENET-1	1SFA899300R1002	1	0.042	0.093
Modbus-RTU	AB-MODBUS-RTU-1	1SFA899300R1003	1	0.042	0.093
NEW BACnet IP	AB-BACNET-IP-2	1SFA899300R1004	1	0.028	0.062
EtherNet/IP (2-port)	AB-ETHERNET-IP-2	1SFA899300R1006	1	0.028	0.062
Modbus/TCP (2-port)	AB-MODBUS-TCP-2	1SFA899300R1008	1	0.028	0.062
Profinet (2-port)	AB-PROFINET-IO-2	1SFA899300R1010	1	0.028	0.062
NEW BACnet MS/TP	AB-BACNET-MSTP-1	1SFA899300R1011	1	0.042	0.093
NEW EtherCAT	AB-ETHERCAT-IP-2	1SFA899300R1012	1	0.028	0.062

ABB Fieldbus interface

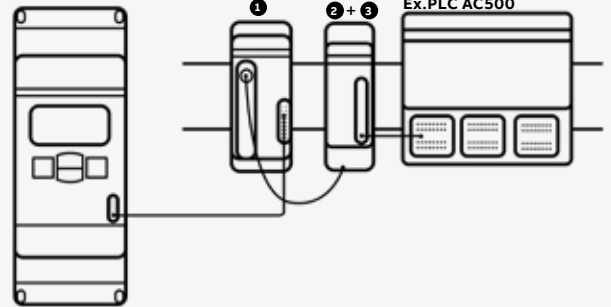
For PSR, PSE and PSTX

Fieldbus communication interface offering Available communication protocols for softstarters

Communication	PSR	PSE	PSTX
Modbus RTU	●	●	●
Profibus	●	●	●
DeviceNet	●	●	●
Modbus TCP	-	●	-

● = Standard, -- = not available

Softstarters:
PSR, PSE or PSTX



01 Fieldbus plug adapter



02 Fieldbus plug kit



03 Modbus RTU



04 Profibus



05 DeviceNET

1 Fieldbus plug adapter with cable

Article	Type	Order code	Pkg qty	kg	lb
Fieldbus plug adapter	PS-FBPA	1SFA896312R1002	1	0.060	0.132

2 Fieldbus plug kit for mounting fieldbus plug adapter together with fieldbus plugs Includes: Holder, cable, cable holder and 2 terminal blocks

Article	Type	Order code	Pkg qty	kg	lb
Accessory kit	PS-FBPK	1SFA899320R1002	1	0.150	0.331

3 Fieldbus communication interface **Order from EL**

Article	Type	Order code	Pkg qty	kg	lb
Modbus-RTU					
Modbus RTU communication interface; terminal block for fieldbus connection included	MRP31.0	1SAJ251000R0001	1	0.039	0.086
Cable from MRP31.0 to drawer outside, length 1.5 m	CDP24.150	1SAJ929240R0015	1	0.060	0.132
Profibus					
Profibus DP communication interface	PDP32.0	1SAJ242000R0001	1	0.050	0.110
Cable from PDP32.0 to drawer outside, length 1.5 m	CDP24.150	1SAJ929240R0015	1	0.060	0.132
DeviceNet					
DeviceNet communication interface; terminal block for fieldbus connection included	DNP31.0	1SAJ231000R0001	1	0.039	0.086
Cable from DNP31.0 to drawer outside, length 1.5 m	CDP24.150	1SAJ929240R0015	1	0.060	0.132
Modbus-TCP					
Ethernet Modbus TCP interface	MTQ22-FBP	1SAJ260000R0100	1	0.172	0.379
Cable ETH-X1/X4-M12 female, length 1.5m	CDP17-FBP.150	1SAJ929170R0015	1	0.075	0.165

Note: See separate catalog for fieldbus communication interfaces: [Link](#)
For more information visit the Universal Motor Controller website: [Link](#)

Marketing materials and tools

It is easy to access more information about ABB softstarters online. On our web page you will find tools for selection, coordination tables, CAD drawings and different types of documentation.



Selection tools

Advanced selection tool: prosoft

Download here

> [LINK](#)

Online softstarter selection tool

Fast and easy selection of softstarter on any device

> [LINK](#)



Webpages External

Softstarter main page

> [LINK](#)

PSR - The compact range

> [LINK](#)

PSE - The efficient range

> [LINK](#)

PSTX - The advanced range

> [LINK](#)



Coordination & SoftstarterCare

Coordination tables

Online tool for coordination with short circuit protection, overload protection and line contactor.

> [LINK](#)



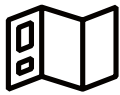
SoftstarterCare™

Service Engineer Tool

Software for easy set-up of PSE and PSTX, using a PC.

> [LINK](#)





Marketing materials

How to order printed materials

You can easily order marketing materials via Hansaprit.

> [LINK](#)

Panorama

> [LINK](#)

Posters

> [LINK](#)

Manuals

> [LINK](#)



Drawing & Pictures

Download 2D and 3D drawings in any format

Use our Cadenas portal to download CAD drawings to all our Softstarters.

> [LINK](#)



Demo units

Demo units

Demonstration unit without power electronics, contains pushbuttons for demonstrations and short form manual



Type	Order code	Weight (1 pce) kg
PSR - softstarters and accessories	1SFA896599R1001	0.01
PSE105	1SFA897109R7008	2.40
PSTX105	1SFA898109R7008	2.95

Services to match your needs

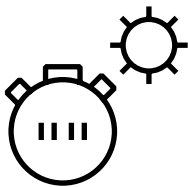
Your service needs depend on your operation, life cycle of your equipment and business priorities. We have identified our customers four most common needs and defined service options to satisfy them. What is your choice to keep your drives at peak performance?

Is uptime your priority?

Keep your drives and softstarters running with precisely planned and executed maintenance.

Example services include:

- Installation and Commissioning
- Spare Parts
- Preventive Maintenance
- ABB Drive and softstarter Care agreement
- Drive and softstarter Exchange



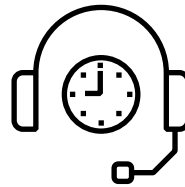
Operational efficiency

Is rapid response a key consideration?

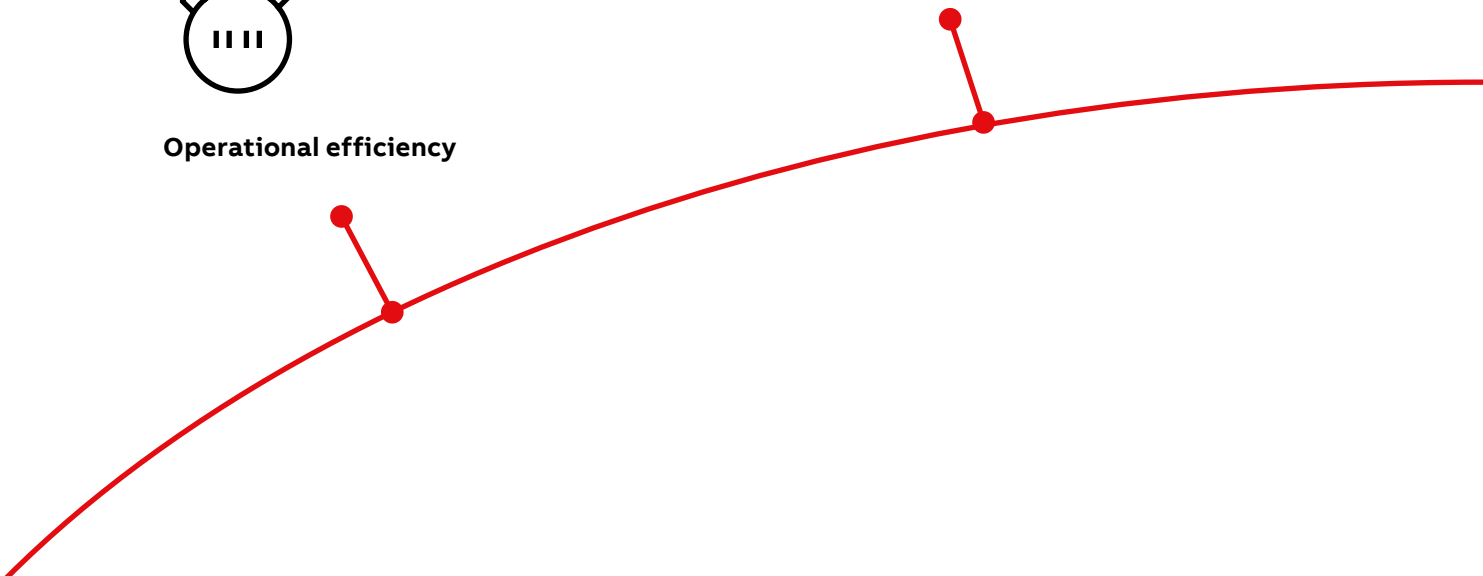
If your drives and softstarters require immediate action, our global network is at your service.

Example services include:

- Technical Support
- On-site Repair
- Response time agreements
- Training



Rapid response



Drives and softstarters service

Your choice, your future

The future of your drives and softstarters depends on the service you choose.

Whatever you choose, it should be a well-informed decision. No guesswork. We have the expertise and experience to help you find and implement the right service for your drive equipment. You can start by asking yourself these two critical questions:

- Why should my drive and softstarter be serviced?
- What would my optimal service options be?

From here, you have our guidance and full support along the course you take, throughout the entire lifetime of your drives.

Need to extend your assets' lifetime?

Maximize your drive's lifetime with our services.

Example services include:

- Upgrades, Retrofits and Modernization
- Replacement, Disposal and Recycling



Life cycle management

Is performance most critical to your operation?

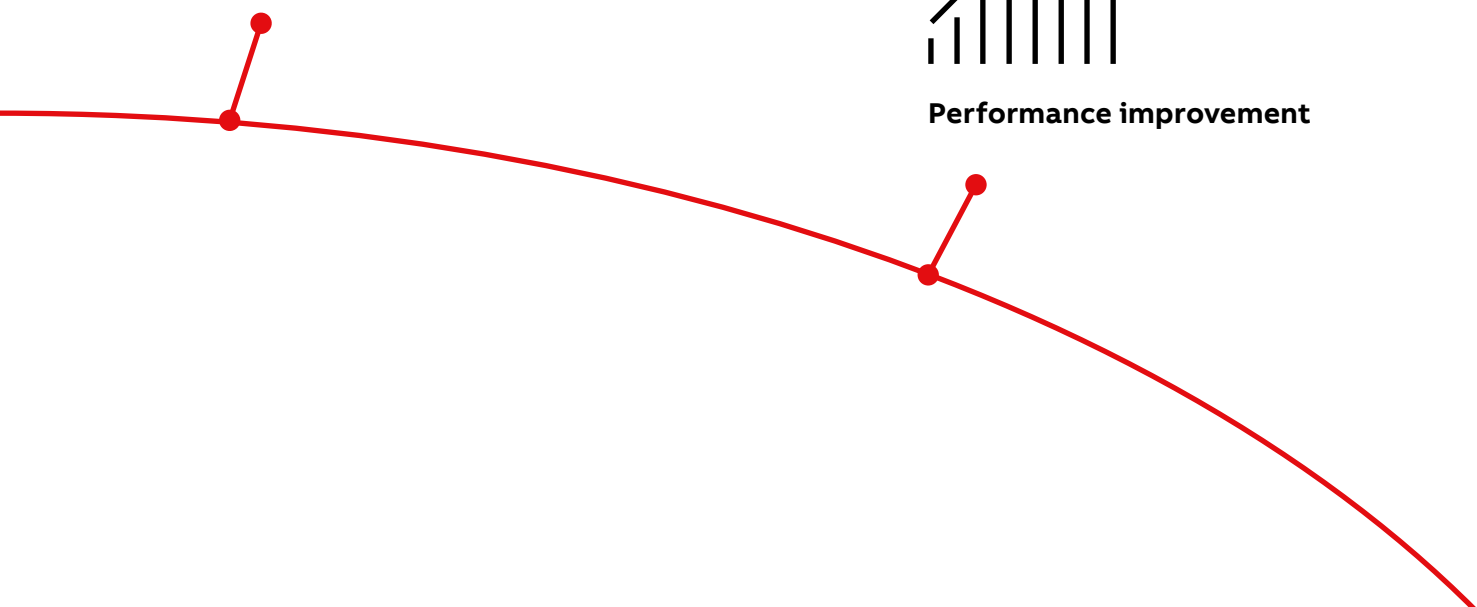
Get optimal performance out of your machinery and systems.

Example services include:

- Consulting
- Inspection and Diagnostics
- Upgrades, Retrofits and Modernization
- Workshop Repair
- Tailored services



Performance improvement



—
For more information, please contact
your local ABB representative or visit
<https://new.abb.com/drives/softstarters>



To get more information,
install QR code reader on
your mobile device, scan the
code and see more.