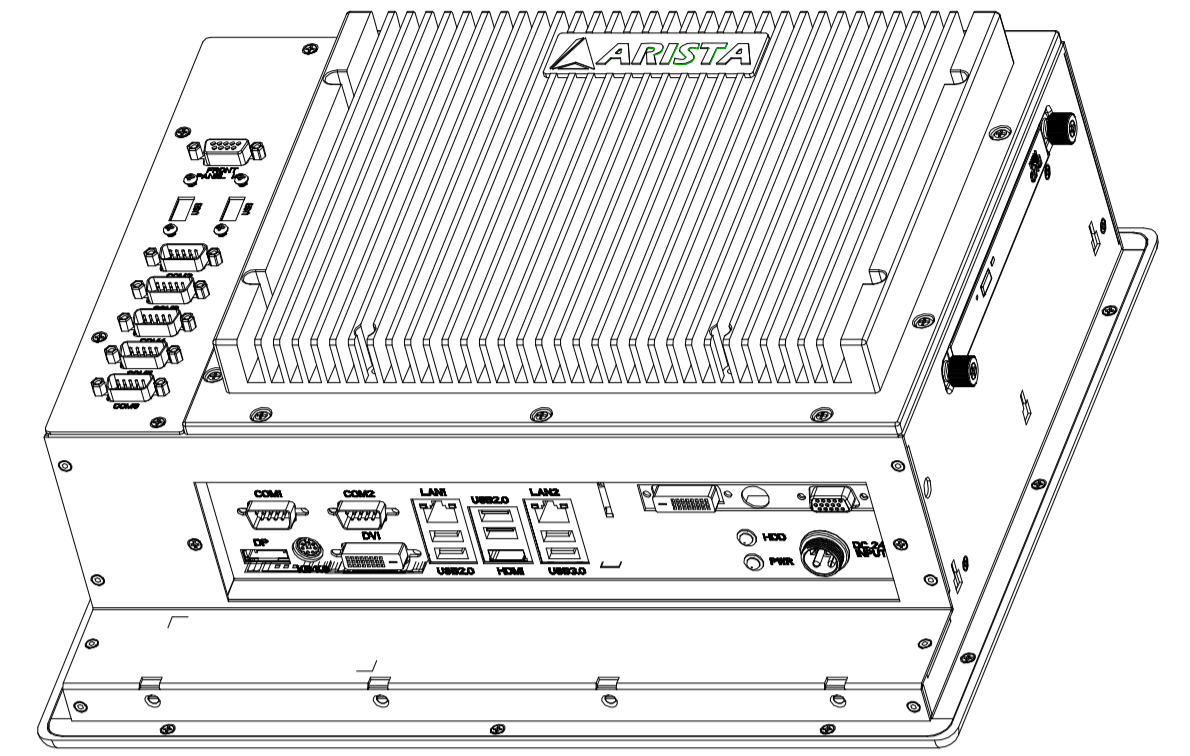
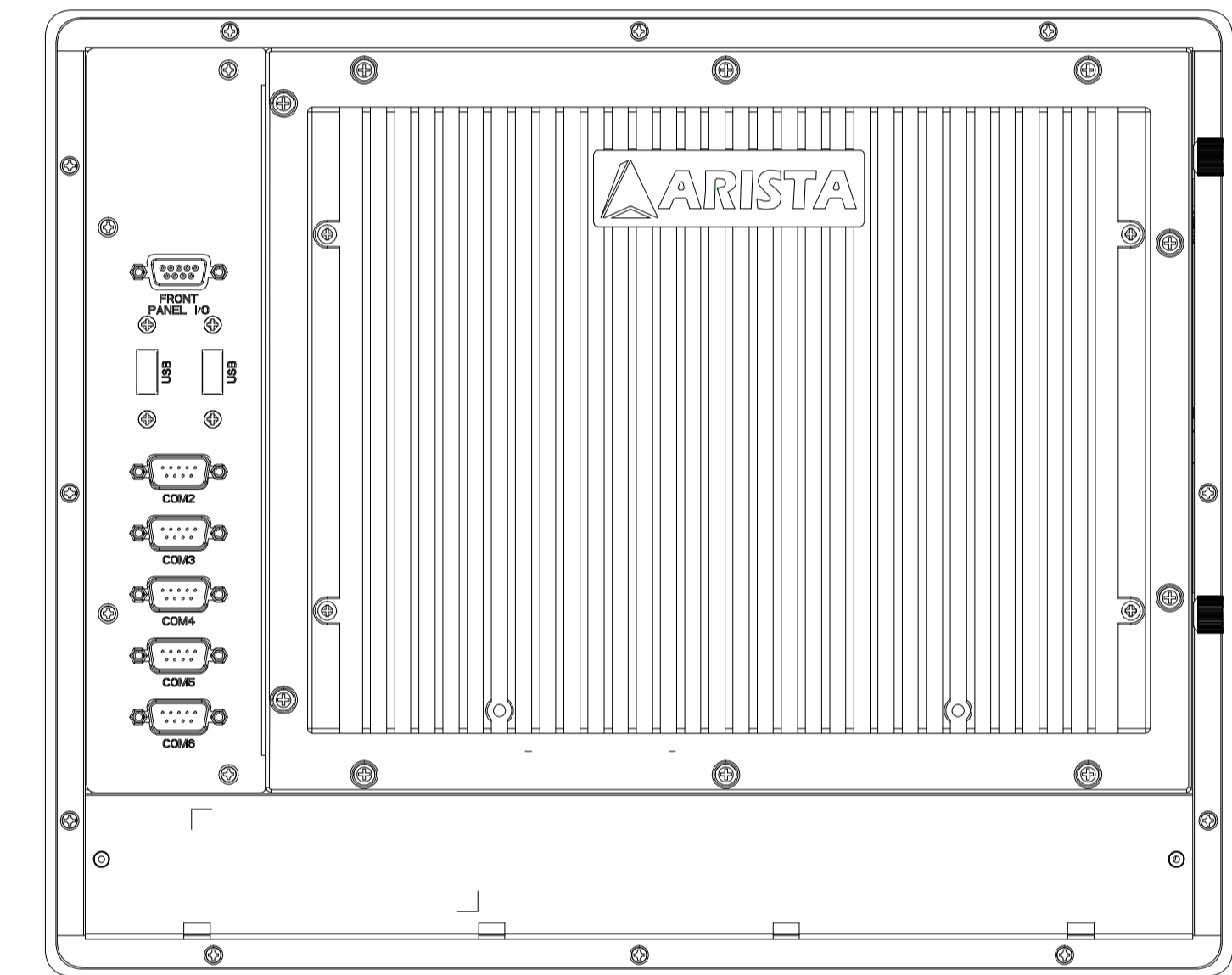


比例 0.350



比例 0.350



PARTS LIST				
ITEM	QTY	DESCRIPTION	P/N	

ALL DIMENSIONS IN MILLIMETRES  
 THIRD ANGLE PROJECTION

The information disclosed on this document is the exclusive property of ARISTA CORPORATION. Reproduction, disclosure, or the use of this document or information without the written permission of ARISTA CORPORATION is prohibited.

TOLERANCES	A	B	C
0-30mm	±0.1	±0.25	±0.6
30-120mm	±0.15	±0.46	±1.1
120-315mm	±0.2	±0.6	±1.6
>315mm	±0.3	±1.1	±2.5

ZONE	REV	DESCRIPTION	DATE	APPROVED
REVISIONS				
ARISTA CORPORATION 41300 Boyce Rd, Fremont, CA 94538				
TITLE 0_ARP-2215AP-G00_2D				
SIZE	FSCM NO.	DWG NO.	REV	
D			A	
DESIGN	比例 0.500	INV. NO.	SHEET	OF