

TEMPERATURE    POWER

100°F    300 KW



Smart Battery



USB 3.0



CFast

# ARP-3600AP Series

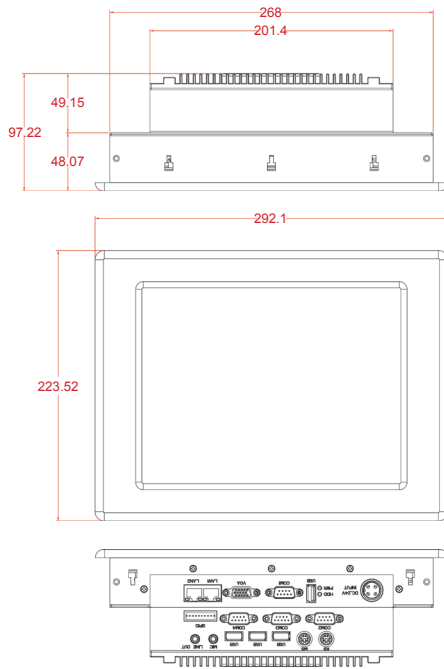
## 5-Wire Resistive Touch Panel Computers



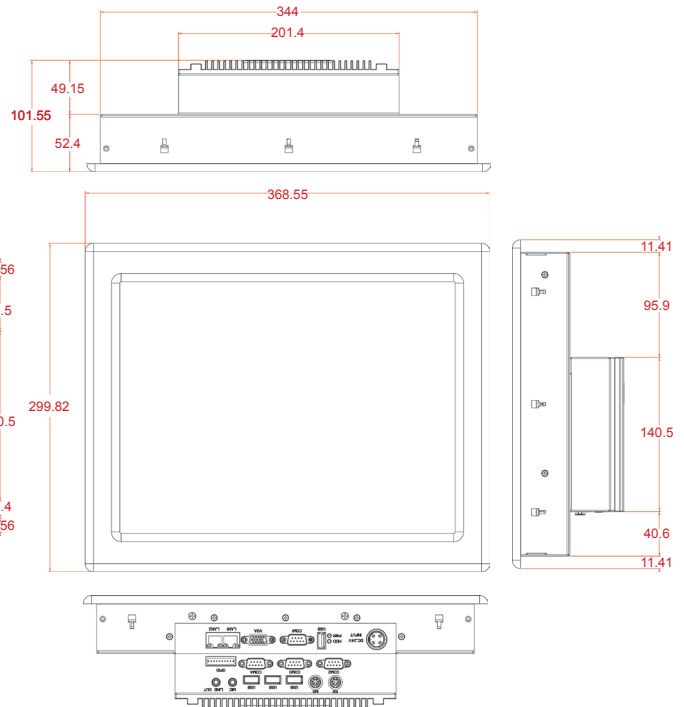
Specifications	ARP-3610AP-B01	ARP-3615AP-B01
<b>LCD Display</b>		
Display Size (Diagnol)	10.4 inch	15.0 inch
Resolution	800 x 600	1024 x 768
Backlight Lifetime (Hours)	50,000	50,000
<b>Visual Characteristics</b>		
Colors	16.2 millions	16.7 millions
Aspect ratio	4:3	4:3
Viewing angle (V/H)	140° / 170°	140° / 170°
Response time (Typical)	12 ms	5 ms
Pixel Pitch (mm)	0.264 x 0.264	0.297 x 0.297
Contrast ratio	700 : 1	700 : 1
Brightness	400 nits	300 nits
<b>Touch Screen</b>		
Technology	5 Wire Resistive	5 Wire Resistive
Touch rating	35 million touches	35 million touches
MTBF	490,000 hours	490,000 hours
Interface	USB	USB
<b>Front Bezel</b>		
NEMA 4	Black Powder Coated	Black Powder Coated
NEMA 4x	Stainless Steel (Optional)	Stainless Steel (Optional)
Rack Mount Bezel	N/A	N/A
<b>System</b>		
CPU	Intel N270 1.6GHz ATOM CPU	Intel N270 1.6GHz ATOM CPU
Chipset	945GSE + ICH7M	945GSE + ICH7M
Memory	Up to 2GB DDR2 SO-DIMM	Up to 2GB DDR2 SO-DIMM
Video Controller	Intel Integrated Graphic Controller	Intel Integrated Graphic Controller
External Video Output	VGA	VGA
Storage Option	SATA DOM	SATA DOM
Compact Flash	N/A	N/A
Keyboard / Mouse	USB / PS2	USB / PS2
Audio	Mic In, Line Out	Mic In, Line Out
Watchdog Timer	YES	YES
Remote Boot	PXE, ACP	PXE, ACP
Expansion Slot	Mini PCIe x 1	Mini PCIe x 1
<b>I/O Communication</b>		
USB Port	4 x USB 2.0	4 x USB 2.0
Serial Port	1 x RS-232/422/485, 3x RS-232	1 x RS-232/422/485, 3x RS-232
IEEE 1394	N/A	N/A
LAN	2 x Gigabit	2 x Gigabit
Parallel	N/A	N/A
GPIO	4 x DI, 4 x DO	4 x DI, 4 x DO
<b>Smart Battery</b>		
External Smart Battery	N/A	N/A
<b>OS Support</b>		
OS Support	Win7 Pro, Win Embedded 7	Win7 Pro, Win Embedded 7
<b>Power / Thermal Specs</b>		
Power Requirement (Max)	110VAC / 0.3A, 24VDC / 1.4A	110VAC / 0.4A, 24VDC / 1.6A
Power Consumption (Max)	34 W	39 W
Heat Dissipation	114 BTU/hr	133 BTU/hr
<b>Physical Information</b>		
Mounting	Panel Mount	Panel Mount
Net Weight	8 Lbs / 3.62 Kg	13 Lbs / 5.90 Kg
Physical Dimension	11.50 x 8.80 x 3.83 inch 292.1 x 223.5 x 97.2 mm	14.51 x 11.80 x 4.00 inch 368.6 x 299.8 x 101.6 mm
Recommended Cutout Dimension (WxH)	10.75 x 8.09 inch 273.0 x 205.4 mm	13.74 x 11.10 inch 349.0 x 282.0 mm
<b>Environmental</b>		
Operating Temp	0~50°C (32~122°F)	0~50°C (32~122°F)
Storage Temp	-20~60°C (-4~140°F)	-20~60°C (-4~140°F)
Relative Humidity	0~95%	0~95%
Rating	Bezel meets NEMA 4/4X requirement	Bezel meets NEMA 4/4X requirement
Certification	N/A	N/A

Ordering Information		
	ARP-36XXAP-B01-003-DR	ARP-36XXAP-B01-P03-DR
LCD Display	Standard	Standard
Touch Screen	5-Wire	5-Wire
Bezel	Black Powder Coated	Black Powder Coated
CPU	N270 ATOM CPU	N270 ATOM CPU
Memory	1GB DDR2	1GB DDR2
Storage	N/A	N/A
ACP Enabled	ACP	PXE
Power Supply	110/220VAC Input	110/220VAC Input

## ARP-3610AP-B01



## ARP-3615AP-B01

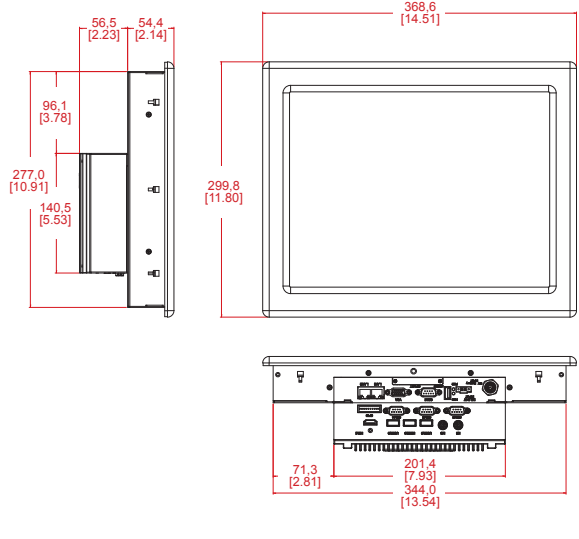
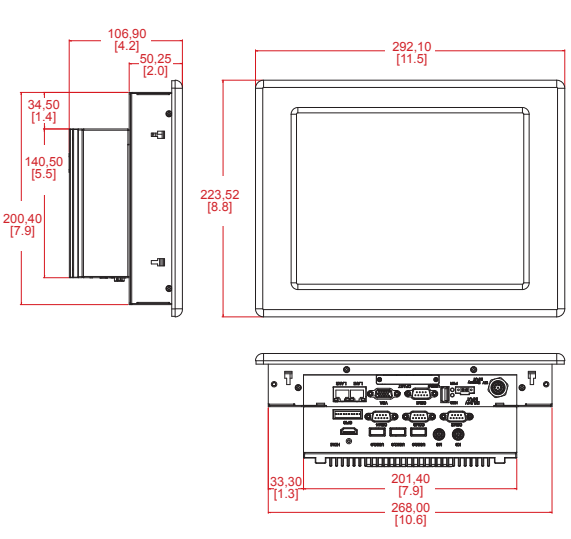


Specifications	ARP-3610AP-E01	ARP-3615AP-E01	ARP-3617AP-E01
<b>LCD Display</b>			
Display Size (Diagnol)	10.4 inch	15.0 inch	17.0 inch
Resolution	800 x 600	1024 x 768	1280 x 1024
Backlight Lifetime (Hours)	50,000	50,000	50,000
<b>Visual Characteristics</b>			
Colors	16.2 million	16.7 million	16.7 million
Aspect ratio	4:3	4:3	5:4
Viewing angle (V/H)	140° / 170°	140° / 160°	140° / 160°
Response time (Typical)	12 ms	8 ms	30 ms
Pixel Pitch (mm)	0.264 x 0.264	0.264 x 0.264	0.264 x 0.264
Contrast ratio	700 : 1	700 : 1	800 : 1
Brightness	400 nits	400 nits	350 nits
<b>Touch Screen</b>			
Technology	5 Wire Resistive	5 Wire Resistive	5 Wire Resistive
Touch rating	35 million touches	35 million touches	35 million touches
MTBF	490,000 hours	490,000 hours	490,000 hours
Interface	USB	USB	USB
<b>Front Bezel</b>			
NEMA 4	Black Powder Coated	Black Powder Coated	Black Powder Coated
NEMA 4x	Stainless Steel (Optional)	Stainless Steel (Optional)	Stainless Steel (Optional)
Rack Mount Bezel	N/A	N/A	N/A
<b>System</b>			
CPU	Intel E3845 1.91GHz QUADCORE ATOM CPU	Intel E3845 1.91GHz QUADCORE ATOM CPU	Intel E3845 1.91GHz QUADCORE ATOM CPU
Chipset	Bay Trail	Bay Trail	Bay Trail
Memory	Up to 8GB DDR3 SO-DIMM	Up to 8GB DDR3 SO-DIMM	Up to 8GB DDR3 SO-DIMM
Video Controller	Intel Gen7 Intel Graphics DX 11, OGL3.2	Intel Gen7 Intel Graphics DX 11, OGL3.2	Intel Gen7 Intel Graphics DX 11, OGL3.2
External Video Output	VGA, HDMI	VGA, HDMI	VGA, HDMI
Storage Option	SATA DOM, 2.5" HDD, 2.5" SSD	SATA DOM, 2.5" HDD, 2.5" SSD	SATA DOM, 2.5" HDD, 2.5" SSD
Compact Flash	N/A	N/A	N/A
Keyboard / Mouse	USB / PS2	USB / PS2	USB / PS2
Audio	N/A	N/A	N/A
Watchdog Timer	Programmable 1 - 255 sec	Programmable 1 - 255 sec	Programmable 1 - 255 sec
Remote Boot	PXE	PXE	PXE
Expansion Slot	Mini PCIe x2	Mini PCIe x2	Mini PCIe x2
<b>I/O Communication</b>			
USB Port	1 x USB 3.0, 3 x USB 2.0	1 x USB 3.0, 3 x USB 2.0	1 x USB 3.0, 3 x USB 2.0
Serial Port	4 x RS-232/422/485	4 x RS-232/422/485	4 x RS-232/422/485
IEEE 1394	N/A	N/A	N/A
LAN	2 x Gigabit	2 x Gigabit	2 x Gigabit
Parallel	N/A	N/A	N/A
GPIO	4 x DI, 4 x DO	4 x DI, 4 x DO	4 x DI, 4 x DO
<b>Smart Battery</b>			
External Smart Battery	Optional	Optional	Optional
<b>OS Support</b>			
OS Support	Windows 7 & up	Windows 7 & up	Windows 7 & up
<b>Power / Thermal Specs</b>			
Power Requirement (Max)			
Power Consumption (Max)			
Heat Dissipation			
<b>Physical Information</b>			
Mounting	Panel Mount	Panel Mount	Panel Mount
Net Weight			
Physical Dimension (WxHxD)	11.50 x 8.80 x 4.20 inch 292.1 x 223.5 x 106.9 mm	14.51 x 11.80 x 4.37 inch 368.6 x 299.8 x 110.9 mm	15.88 x 13.34 x 4.58 inch 403.4 x 338.8 x 116.3 mm
Recommended Cutout Dimension (WxH)	10.80 x 8.10 inch 273.0 x 205.4 mm	13.74 x 11.11 inch 349.0 x 282.0 mm	15.06 x 12.64 inch 382.5 x 321.0 mm
<b>Environmental</b>			
Operating Temp	0~50°C (32~122°F)	0~50°C (32~122°F)	0~50°C (32~122°F)
Storage Temp	-20~60°C (-4~140°F)	-20~60°C (-4~140°F)	-20~60°C (-4~140°F)
Relative Humidity	0~95%	0~95%	0~95%
Rating	Bezel meets NEMA 4/4X requirement	Bezel meets NEMA 4/4X requirement	Bezel meets NEMA 4/4X requirement
Certification	N/A	N/A	N/A

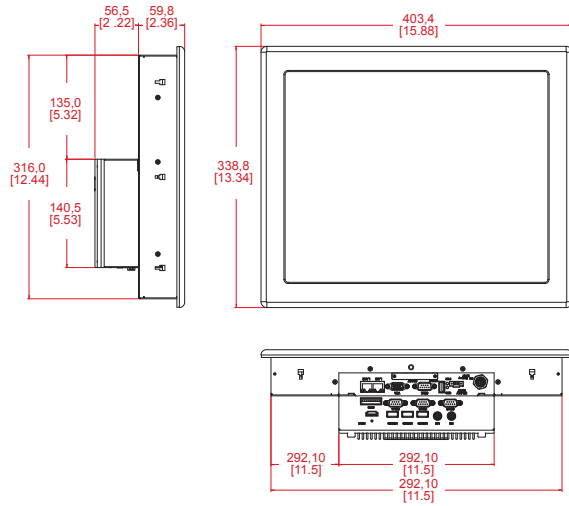
Specifications	ARP-3619AP-E01	ARP-3621AP-E01	ARP-3624AP-E01
<b>LCD Display</b>			
Display Size (Diagnol)	19.0 inch	21.5 inch	24 inch
Resolution	1280 x 1024	1920 x 1080	1920 x 1080
Backlight Lifetime (Hours)	50,000	50,000	50,000
<b>Visual Characteristics</b>			
Colors	16.7 million	16.7 million	16.7 million
Aspect ratio	5:4	16:9	16:9
Viewing angle (V/H)	160° / 170°	178° / 178°	178° / 178°
Response time (Typical)	5 ms	14 ms	12 ms
Pixel Pitch (mm)	0.294 x 0.294	0.248 x 0.248	0.276 x 0.276
Contrast ratio	1000 : 1	1000 : 1	5000 : 1
Brightness	450 nits	250 nits	250 nits
<b>Touch Screen</b>			
Technology	5 Wire Resistive	5 Wire Resistive	5 Wire Resistive
Touch rating	35 million touches	35 million touches	35 million touches
MTBF	490,000 hours	490,000 hours	490,000 hours
Interface	USB	USB	USB
<b>Front Bezel</b>			
NEMA 4	Black Powder Coated	Black Powder Coated	Black Powder Coated
NEMA 4x	Stainless Steel (Optional)	Stainless Steel (Optional)	Stainless Steel (Optional)
Rack Mount Bezel	N/A	N/A	N/A
<b>System</b>			
CPU	Intel E3845 1.91GHz QUADCORE ATOM CPU	Intel E3845 1.91GHz QUADCORE ATOM CPU	Intel E3845 1.91GHz QUADCORE ATOM CPU
Chipset	Bay Trail	Bay Trail	Bay Trail
Memory	Up to 8GB DDR3 SO-DIMM	Up to 8GB DDR3 SO-DIMM	Up to 8GB DDR3 SO-DIMM
Video Controller	Intel Gen7 Intel Graphics DX 11, OGL3.2	Intel Gen7 Intel Graphics DX 11, OGL3.2	Intel Gen7 Intel Graphics DX 11, OGL3.2
External Video Output	VGA, HDMI	VGA, HDMI	VGA, HDMI
Storage Option	SATA DOM, 2.5" HDD, 2.5" SSD	SATA DOM, 2.5" HDD, 2.5" SSD	SATA DOM, 2.5" HDD, 2.5" SSD
Compact Flash	N/A	N/A	N/A
Keyboard / Mouse	USB / PS2	USB / PS2	USB / PS2
Audio	N/A	N/A	N/A
Watchdog Timer	Programmable 1 - 255 sec	Programmable 1 - 255 sec	Programmable 1 - 255 sec
Remote Boot	PXE	PXE	PXE
Expansion Slot	Mini PCIe x2	Mini PCIe x2	Mini PCIe x2
<b>I/O Communication</b>			
USB Port	1 x USB 3.0, 3 x USB 2.0	1 x USB 3.0, 3 x USB 2.0	1 x USB 3.0, 3 x USB 2.0
Serial Port	4 x RS-232/422/485	4 x RS-232/422/485	4 x RS-232/422/485
IEEE 1394	N/A	N/A	N/A
LAN	2 x Gigabit	2 x Gigabit	2 x Gigabit
Parallel	N/A	N/A	N/A
GPIO	4 x DI, 4 x DO	4 x DI, 4 x DO	4 x DI, 4 x DO
<b>Smart Battery</b>			
External Smart Battery	Optional	Optional	Optional
<b>OS Support</b>			
OS Support	Windows 7 & up	Windows 7 & up	Windows 7 & up
<b>Power / Thermal Specs</b>			
Power Requirement (Max)			
Power Consumption (Max)			
Heat Dissipation			
<b>Physical Information</b>			
Mounting	Panel Mount	Panel Mount	Panel Mount
Net Weight			
Physical Dimension (WxHxD)	17.80 x 14.60 x 4.86 inch 452.1 x 370.8 x 123.6 mm	20.98 x 12.99 x 4.57 inch 533.0 x 330.0 x 116.3	23.91 x 14.50 x 4.51 inch 607.3 x 368.3 x 114.6 mm
Recommended Cutout Dimension (WxH)	17.01 x 13.81 inch 432.0 x 350.6 mm	19.92 x 12.35 inch 506.0 x 313.7 mm	23.22 x 13.81 inch 589.8 x 350.7 mm
<b>Environmental</b>			
Operating Temp	0~50°C (32~122°F)	0~50°C (32~122°F)	0~50°C (32~122°F)
Storage Temp	-20~60°C (-4~140°F)	-20~60°C (-4~140°F)	-20~60°C (-4~140°F)
Relative Humidity	0~95%	0~95%	0~95%
Rating	Bezel meets NEMA 4/4X requirement	Bezel meets NEMA 4/4X requirement	Bezel meets NEMA 4/4X requirement
Certification	N/A	N/A	N/A

Ordering Information		
	ARP-36XXAP-E01-011-DR	ARP-36XXAP-E01-015-DR
LCD Display	Standard	Standard
Touch Screen	5-Wire	5-Wire
Bezel	Black Powder Coated	Stainless Steel
CPU	E3845 ATOM CPU	E3845 ATOM CPU
Memory	8GB DDR3	8GB DDR3
Storage	2.5" SATA HDD	2.5" SATA HDD
ACP Enabled	N/A	N/A
Power Supply	110/220VAC Input	110/220VAC Input
	ARP-36XXAP-E01-031-DR	ARP-36XXAP-E01-035-DR
LCD Display	Standard	Standard
Touch Screen	5-Wire	5-Wire
Bezel	Black Powder Coated	Stainless Steel
CPU	E3845 ATOM CPU	E3845 ATOM CPU
Memory	8GB DDR3	8GB DDR3
Storage	2.5" SATA SSD	2.5" SATA SSD
ACP Enabled	N/A	N/A
Power Supply	110/220VAC Input	110/220VAC Input

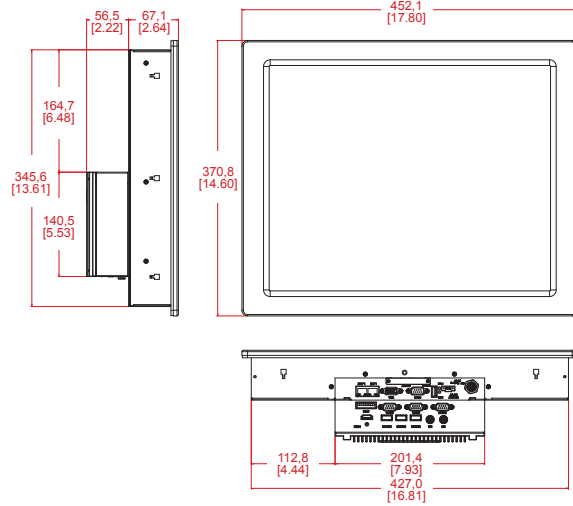
ARP-3610AP-E01	ARP-3615AP-E01
----------------	----------------



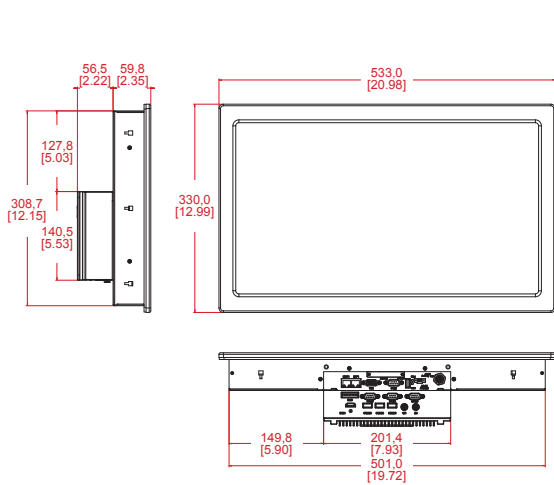
**ARP-3617AP-E01**



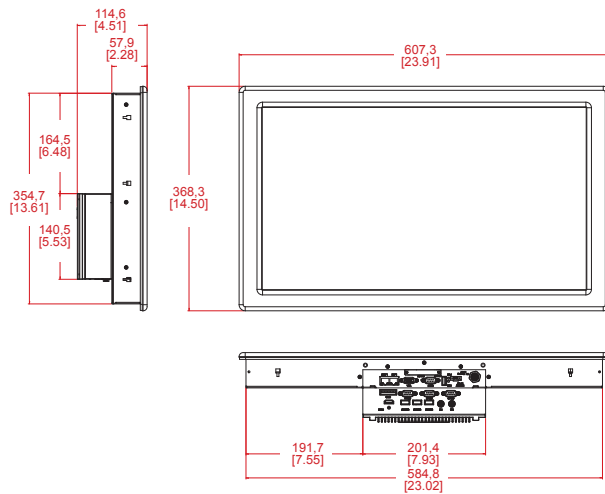
**ARP-3619AP-E01**



**ARP-3621AP-E01**



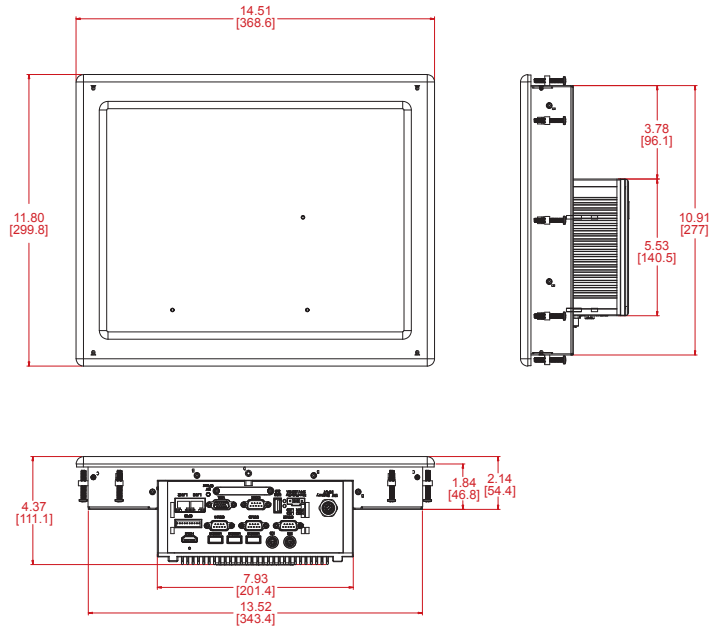
**ARP-3624AP-E01**



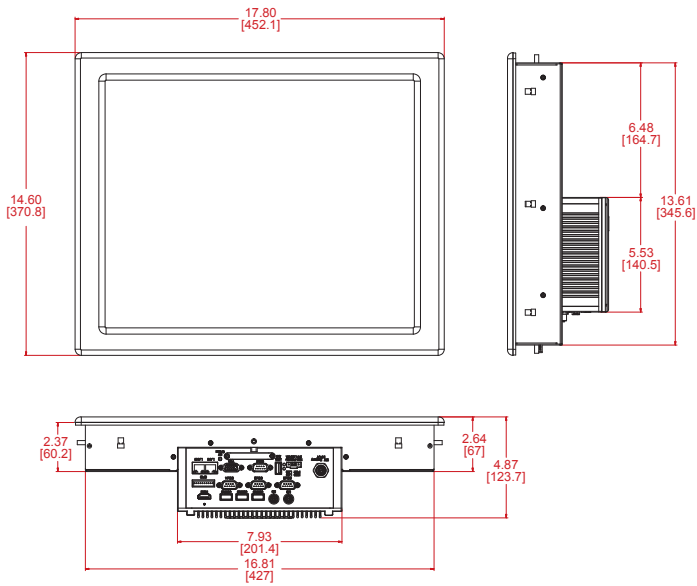
Specifications	ARP-3615AP-H01	ARP-3619AP-H01	ARP-3621AP-H01
<b>LCD Display</b>			
Display Size (Diagnol)	15.0 inch	19.0 inch	21.5 inch
Resolution	1024 x 768	1280 x 1024	1920 x 1080
Backlight Lifetime (Hours)	50,000	50,000	50,000
<b>Visual Characteristics</b>			
Colors	16.7 million	16.7 million	16.7 million
Aspect ratio	4:3	5:4	16:9
Viewing angle (V/H)	140° / 160°	160° / 170°	178° / 178°
Response time (Typical)	8 ms	5 ms	14 ms
Pixel Pitch (mm)	0.264 x 0.264	0.294 x 0.294	0.248 x 0.248
Contrast ratio	700 : 1	1000 : 1	1000 : 1
Brightness	300 nits	450 nits	250 nits
<b>Touch Screen</b>			
Technology	5 Wire Resistive	5 Wire Resistive	5 Wire Resistive
Touch rating	35 million touches	35 million touches	35 million touches
MTBF	490,000 hours	490,000 hours	490,000 hours
Interface	USB	USB	USB
<b>Front Bezel</b>			
NEMA 4	Black Powder Coated	Black Powder Coated	Black Powder Coated
NEMA 4x	Stainless Steel (Optional)	Stainless Steel (Optional)	Stainless Steel (Optional)
Rack Mount Bezel	N/A	N/A	N/A
<b>System</b>			
CPU	2.6/3.4 GHz i7-6600U, 2.4/3.0 GHz i5-6300U, 1.6 GHz Celeron-3855U	2.6/3.4 GHz i7-6600U, 2.4/3.0 GHz i5-6300U, 1.6 GHz Celeron-3855U	2.6/3.4 GHz i7-6600U, 2.4/3.0 GHz i5-6300U, 1.6 GHz Celeron-3855U
Chipset	By CPU	By CPU	By CPU
Memory	Up to 16GB DDR4 SO-DIMM	Up to 16GB DDR4 SO-DIMM	Up to 16GB DDR4 SO-DIMM
Video Controller	INTEL HD Graphics 520	INTEL HD Graphics 520	INTEL HD Graphics 520
External Video Output	VGA, HDMI	VGA, HDMI	VGA, HDMI
Storage Option	SATA DOM, 2.5" HDD, 2.5" SSD, CFast Card	SATA DOM, 2.5" HDD, 2.5" SSD, CFast Card	SATA DOM, 2.5" HDD, 2.5" SSD, CFast Card
Compact Flash	Optional	Optional	Optional
Keyboard / Mouse	USB, PS/2	USB, PS/2	USB, PS/2
Audio	N/A	N/A	N/A
Watchdog Timer	YES	YES	YES
Remote Boot	PXE, ThinManager Ready	PXE, ThinManager Ready	PXE, ThinManager Ready
Expansion Slot	Mini PCIe x 1	Mini PCIe x 1	Mini PCIe x 1
<b>I/O Communication</b>			
USB Port	1 x USB 3.0, 3 x USB 2.0	1 x USB 3.0, 3 x USB 2.0	1 x USB 3.0, 3 x USB 2.0
Serial Port	4x RS-232/422/485	4x RS-232/422/485	4x RS-232/422/485
IEEE 1394	N/A	N/A	N/A
LAN	2 x Gigabit	2 x Gigabit	2 x Gigabit
Parallel	N/A	N/A	N/A
GPIO	4 x DI, 4 x DO	4 x DI, 4 x DO	4 x DI, 4 x DO
<b>Smart Battery</b>			
External Smart Battery	Optional	Optional	Optional
<b>OS Support</b>			
OS Support	Windows 10	Windows 10	Windows 10
<b>Power / Thermal Specs</b>			
Power Requirement (Max)			
Power Consumption (Max)			
Heat Dissipation			
<b>Physical Information</b>			
Mounting	Panel Mount	Panel Mount	Panel Mount
Net Weight			
Physical Dimension (WxHxD)	14.51 x 11.80 x 4.37 inch 368.6 x 299.8 x 110.9 mm	17.80 x 14.60 x 4.86 inch 452.1 x 370.8 x 123.6 mm	20.98 x 12.99 x 4.57 inch 533.0 x 330.0 x 116.3
Recommended Cutout Dimension (WxH)	13.74 x 11.11 inch 349.0 x 282.0 mm	17.01 x 13.81 inch 432.0 x 350.6 mm	19.92 x 12.35 inch 506.0 x 313.7 mm
<b>Environmental</b>			
Operating Temperature	0-50°C (32~122°F)	0-50°C (32~122°F)	0-50°C (32~122°F)
Storage Temperature	-20~60°C (-4~140°F)	-20~60°C (-4~140°F)	-20~60°C (-4~140°F)
Relative Humidity	0~95%	0~95%	0~95%
IP/MENA Rating	Bezel meets NEMA 4/4X requirement	Bezel meets NEMA 4/4X requirement	Bezel meets NEMA 4/4X requirement
Certification	N/A	N/A	N/A



**ARP-3615AP-H01**



**ARP-3619AP-H01**



**ARP-3621AP-H01**

