



Smart Battery



USB 3.0



CFast

ARP-3800AP Series

Multi Touch Panel Computers

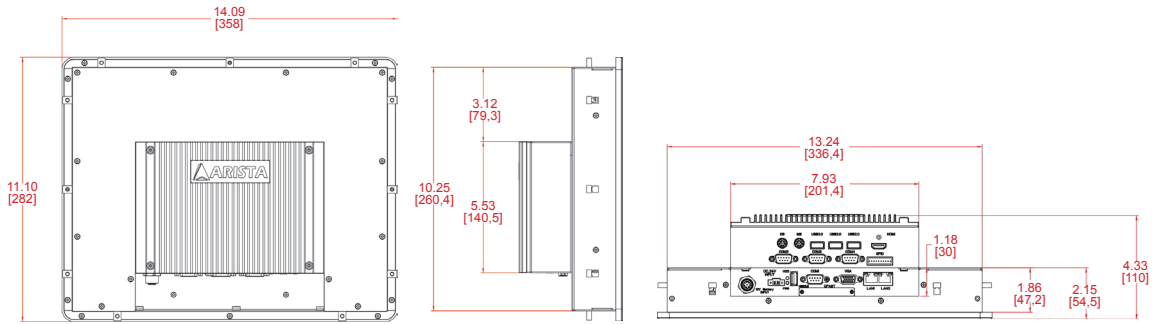


Specifications	ARP-3815AP-E01	ARP-3817AP-E01	ARP-3819AP-E01
LCD Display			
Display Size (Diagnol)	15.0 inch	17.0 inch	19.0 inch
Resolution	1024 x 768	1280 x 1024	1280 x 1024
Backlight Lifetime (Hours)	50,000	50,000	50,000
Visual Characteristics			
Colors	16.7 millions	16.7 millions	16.7 millions
Aspect ratio	4:3	5:4	5:4
Viewing angle (V/H)	140° / 160°	140° / 160°	160° / 170°
Response time (Typical)	8 ms	30 ms	5 ms
Pixel Pitch (mm)	0.297 x 0.297	0.264 x 0.264	0.294 x 0.294
Contrast ratio	700 : 1	800 : 1	1000 : 1
Brightness	300 nits	350 nits	450 nits
Touch Screen			
Technology	Projected capacitive touch	Projected capacitive touch	Projected capacitive touch
Touch rating	50 Million Touches	50 Million Touches	50 Million Touches
Interface	USB	USB	USB
Front Bezel			
NEMA 4	Aluminum	Aluminum	Aluminum
NEMA 4x	Stainless Steel (Optional)	Stainless Steel (Optional)	Stainless Steel (Optional)
Rack Mount Bezel	N/A	N/A	N/A
System			
CPU	Intel E3845 1.91GHz Quad Core ATOM CPU	Intel E3845 1.91GHz Quad Core ATOM CPU	Intel E3845 1.91GHz Quad Core ATOM CPU
Chipset	Bay Trail	Bay Trail	Bay Trail
Memory	Up to 8GB DDR3 SO-DIMM	Up to 8GB DDR3 SO-DIMM	Up to 8GB DDR3 SO-DIMM
Video Controller	Intel Gen7 Intel Graphics DX 11, OGL3.2	Intel Gen7 Intel Graphics DX 11, OGL3.2	Intel Gen7 Intel Graphics DX 11, OGL3.2
External Video Output	VGA, HDMI	VGA, HDMI	VGA, HDMI
Storage Option	SATA DOM, 2.5" HDD, 2.5" SSD	SATA DOM, 2.5" HDD, 2.5" SSD	SATA DOM, 2.5" HDD, 2.5" SSD
Compact Flash	N/A	N/A	N/A
Keyboard / Mouse	USB / PS2	USB / PS2	USB / PS2
Audio	N/A	N/A	N/A
Watchdog Timer	Programmable 1 - 255 sec	Programmable 1 - 255 sec	Programmable 1 - 255 sec
Remote Boot	PXE	PXE	PXE
Expansion Slot	Mini PCIe x2	Mini PCIe x2	Mini PCIe x2
I/O Communication			
USB Port	1 x USB 3.0, 3 x USB 2.0	1 x USB 3.0, 3 x USB 2.0	1 x USB 3.0, 3 x USB 2.0
Serial Port	4 x RS-232/422/485	4 x RS-232/422/485	4 x RS-232/422/485
IEEE 1394	N/A	N/A	N/A
LAN	2 x Gigabit	2 x Gigabit	2 x Gigabit
Parallel	N/A	N/A	N/A
GPIO	4 x DI, 4 x DO	4 x DI, 4 x DO	4 x DI, 4 x DO
Smart Battery			
External Smart Battery	Optional	Optional	Optional
OS Support			
OS Support	Windows 7 & up	Windows 7 & up	Windows 7 & up
Power / Thermal Specs			
Power Requirement (Max)			
Power Consumption (Max)			
Heat Dissipation			
Physical Information			
Mounting	Panel Mount	Panel Mount	Panel Mount
Net Weight			
Physical Dimension	14.09 x 11.10 x 4.33 inch 358.0 x 282.0 x 110.0 mm	15.43 x 12.76 x 4.40 inch 392.0 x 324.0 x 111.7 mm	16.58 x 13.90 x 4.46 inch 428.0 x 353.0 x 113.2 mm
Recommended Cutout Dimension (WxH)	13.44 x 10.45 inch 341.4 x 265.4 mm	14.78 x 12.11 inch 375.4 x 307.4 mm	16.20 x 13.25 inch 411.4 x 336.4 mm
Environmental			
Operating Temperature	0~50°C (32~122°F)	0~50°C (32~122°F)	0~50°C (32~122°F)
Storage Temperature	-20~60°C (-4~140°F)	-20~60°C (-4~140°F)	-20~60°C (-4~140°F)
Relative Humidity	0~95%	0~95%	0~95%
IP/MENA Rating	Bezel meets NEMA 4/4X requirement	Bezel meets NEMA 4/4X requirement	Bezel meets NEMA 4/4X requirement
Certification	N/A	N/A	N/A

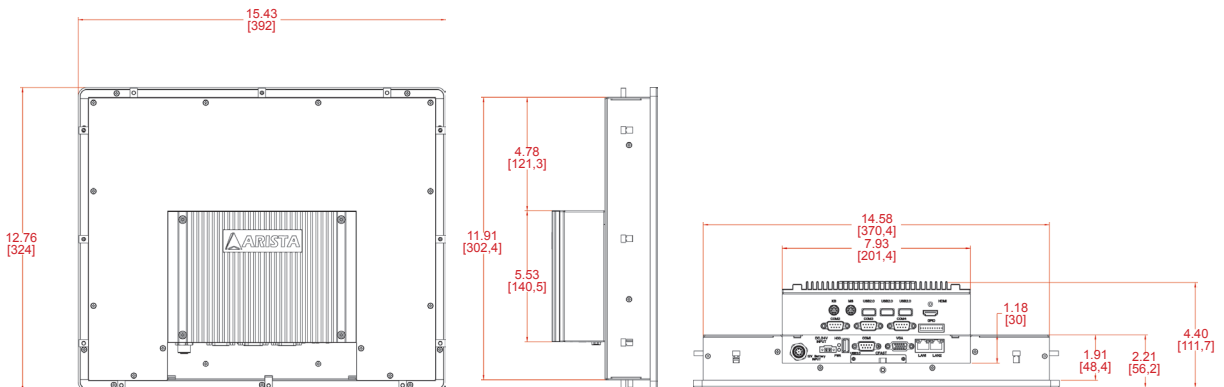
Specifications	ARP-3821AP-E01	ARP-3824AP-E01	
LCD Display			
Display Size (Diagnol)	21.5 inch	24 inch	
Resolution	1920 x 1080	1920 x 1080	
Backlight Lifetime (Hours)	50,000	50,000	
Visual Characteristics			
Colors	16.7 millions	16.7 millions	
Aspect ratio	16:9	16:9	
Viewing angle (V/H)	178° / 178°	178° / 178°	
Response time (Typical)	14 ms	25 ms	
Pixel Pitch (mm)	0.248 x 0.248	0.276 x 0.76	
Contrast ratio	1000 : 1	5000 : 1	
Brightness	250 nits	250 nits	
Touch Screen			
Technology	Projected capacitive touch	Projected capacitive touch	
Touch rating	50 Million Touches	50 Million Touches	
Interface	USB	USB	
Front Bezel			
NEMA 4	Aluminum	Aluminum	
NEMA 4x	Stainless Steel (Optional)	Stainless Steel (Optional)	
Rack Mount Bezel	N/A	N/A	
System			
CPU	Intel E3845 1.91GHz Quad Core ATOM CPU	Intel E3845 1.91GHz Quad Core ATOM CPU	
Chipset	Bay Trail	Bay Trail	
Memory	Up to 8GB DDR3 SO-DIMM	Up to 8GB DDR3 SO-DIMM	
Video Controller	Intel Gen7 Intel Graphics DX 11, OGL3.2	Intel Gen7 Intel Graphics DX 11, OGL3.2	
External Video Output	VGA, HDMI	VGA, HDMI	
Storage Option	SATA DOM, 2.5" HDD, 2.5" SSD	SATA DOM, 2.5" HDD, 2.5" SSD	
Compact Flash	N/A	N/A	
Keyboard / Mouse	USB / PS2	USB / PS2	
Audio	N/A	N/A	
Watchdog Timer	Programmable 1 - 255 sec	Programmable 1 - 255 sec	
Remote Boot	PXE	PXE	
Expansion Slot	Mini PCIe x2	Mini PCIe x2	
I/O Communication			
USB Port	1 x USB 3.0, 3 x USB 2.0	1 x USB 3.0, 3 x USB 2.0	
Serial Port	4 x RS-232/422/485	4 x RS-232/422/485	
IEEE 1394	N/A	N/A	
LAN	2 x Gigabit	2 x Gigabit	
Parallel	N/A	N/A	
GPIO	4 x DI, 4 x DO	4 x DI, 4 x DO	
Smart Battery			
External Smart Battery	Optional	Optional	
OS Support			
OS Support	Windows 7 & up	Windows 7 & up	
Power / Thermal Specs			
Power Requirement (Max)			
Power Consumption (Max)			
Heat Dissipation			
Physical Information			
Mounting	Panel Mount	Panel Mount	
Net Weight			
Physical Dimension	20.91 x 12.94 x 4.46 inch 531.0 x 328.8 x 113.3 mm	22.98 x 14.44 x 4.34 inch 583.7 x 366.7 x 110.2 mm	
Recommended Cutout Dimension (WxH)	20.09 x 12.13 inch 510.2 x 308.0 mm	22.33 x 13.79 inch 567.1 x 350.1 mm	
Environmental			
Operating Temperature	0~50°C (32~122°F)	0~50°C (32~122°F)	
Storage Temperature	-20~60°C (-4~140°F)	-20~60°C (-4~140°F)	
Relative Humidity	0~95%	0~95%	
IP/MENA Rating	Bezel meets NEMA 4/4X requirement	Bezel meets NEMA 4/4X requirement	
Certification	N/A	N/A	

Ordering Information		
	ARP-38XXAP-E01-011-DR	ARP-38XXAP-E01-015-DR
LCD Display	Standard	Standard
Touch Screen	Projected capacitive	Projected capacitive
Bezel	Aluminum	Stainless Steel
CPU	E3845 ATOM CPU	E3845 ATOM CPU
Memory	8GB DDR3	8GB DDR3
Storage	2.5" SATA HDD	2.5" SATA HDD
ACP Enabled	N/A	N/A
Power Supply	110/220VAC Input	110/220VAC Input
	ARP-38XXAP-E01-031-DR	ARP-38XXAP-E01-035-DR
LCD Display	Standard	Standard
Touch Screen	Projected capacitive	Projected capacitive
Bezel	Aluminum	Stainless Steel
CPU	E3845 ATOM CPU	E3845 ATOM CPU
Memory	8GB DDR3	8GB DDR3
Storage	2.5" SATA SSD	2.5" SATA SSD
ACP Enabled	N/A	N/A
Power Supply	110/220VAC Input	110/220VAC Input

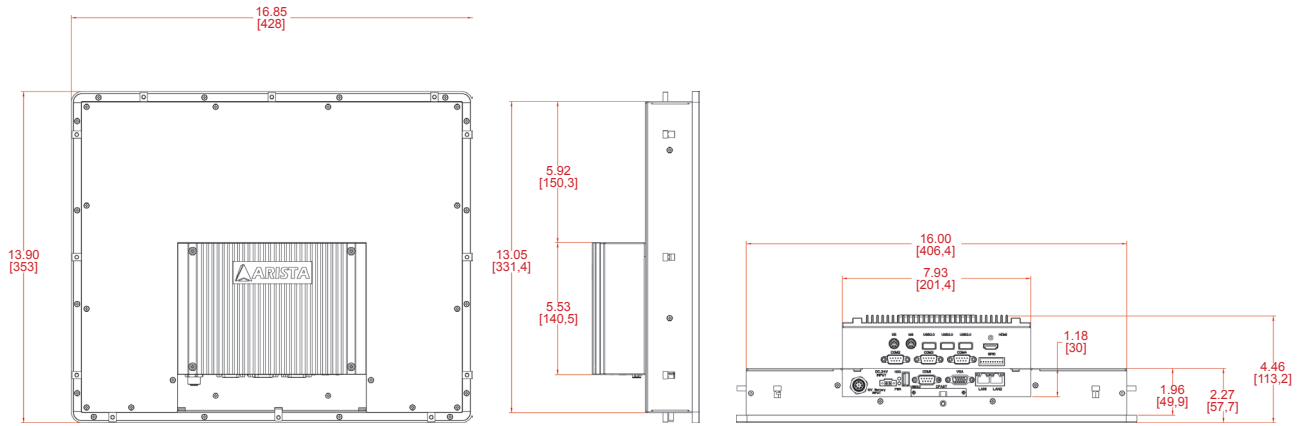
ARP-3815AP-E01



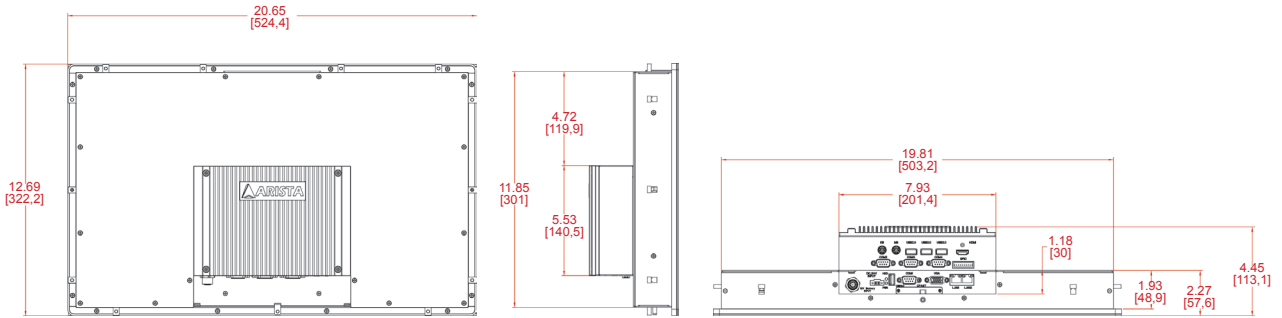
ARP-3817AP-E01



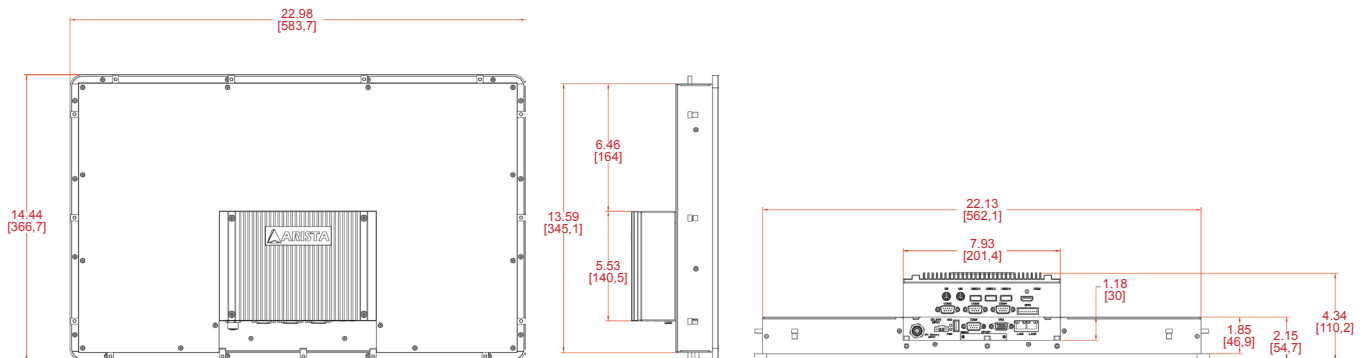
ARP-3819AP-E01



ARP-3821AP-E01

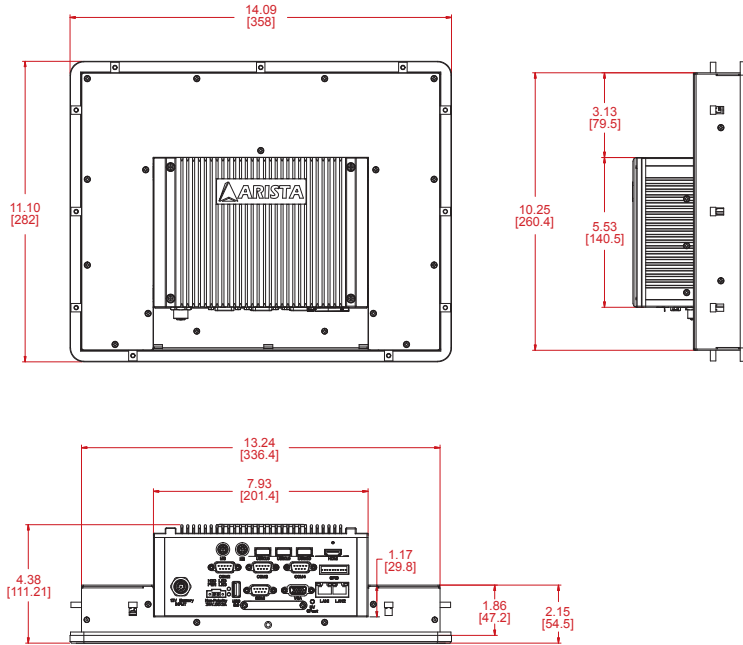


ARP-3824AP-E01



Specifications	ARP-3815AP-H01	ARP-3819AP-H01	ARP-3821AP-H01
LCD Display			
Display Size (Diagnol)	15.0 inch	19.0 inch	21.5 inch
Resolution	1024 x 768	1280 x 1024	1920 x 1080
Backlight Lifetime (Hours)	50,000	50,000	50,000
Visual Characteristics			
Colors	16.7 million	16.7 million	16.7 million
Aspect ratio	4:3	5:4	16:9
Viewing angle (V/H)	140° / 160°	160° / 170°	178° / 178°
Response time (Typical)	8 ms	5 ms	14 ms
Pixel Pitch (mm)	0.264 x 0.264	0.294 x 0.294	0.248 x 0.248
Contrast ratio	700 : 1	1000 : 1	1000 : 1
Brightness	300 nits	450 nits	250 nits
Touch Screen			
Technology	Projected capacitive touch	Projected capacitive touch	Projected capacitive touch
Touch rating	50 million touches	50 million touches	50 million touches
MTBF	490,000 hours	490,000 hours	490,000 hours
Interface	USB	USB	USB
Front Bezel			
NEMA 4	Aluminum	Aluminum	Aluminum
NEMA 4x	Stainless Steel (Optional)	Stainless Steel (Optional)	Stainless Steel (Optional)
Rack Mount Bezel	N/A	N/A	N/A
System			
CPU	2.6/3.4 GHz i7-6600U, 2.4/3.0 GHz i5-6300U, 1.6 GHz Celeron-3855U	2.6/3.4 GHz i7-6600U, 2.4/3.0 GHz i5-6300U, 1.6 GHz Celeron-3855U	2.6/3.4 GHz i7-6600U, 2.4/3.0 GHz i5-6300U, 1.6 GHz Celeron-3855U
Chipset	By CPU	By CPU	By CPU
Memory	Up to 16GB DDR4 SO-DIMM	Up to 16GB DDR4 SO-DIMM	Up to 16GB DDR4 SO-DIMM
Video Controller	INTEL HD Graphics 520	INTEL HD Graphics 520	INTEL HD Graphics 520
External Video Output	VGA, HDMI	VGA, HDMI	VGA, HDMI
Storage Option	SATA DOM, 2.5" HDD, 2.5" SSD, CFast Card	SATA DOM, 2.5" HDD, 2.5" SSD, CFast Card	SATA DOM, 2.5" HDD, 2.5" SSD, CFast Card
Compact Flash	Optional	Optional	Optional
Keyboard / Mouse	USB, PS/2	USB, PS/2	USB, PS/2
Audio	N/A	N/A	N/A
Watchdog Timer	YES	YES	YES
Remote Boot	PXE, ThinManager Ready	PXE, ThinManager Ready	PXE, ThinManager Ready
Expansion Slot	Mini PCIe x 1	Mini PCIe x 1	Mini PCIe x 1
I/O Communication			
USB Port	1 x USB 3.0, 3 x USB 2.0	1 x USB 3.0, 3 x USB 2.0	1 x USB 3.0, 3 x USB 2.0
Serial Port	4x RS-232/422/485	4x RS-232/422/485	4x RS-232/422/485
IEEE 1394	N/A	N/A	N/A
LAN	2 x Gigabit	2 x Gigabit	2 x Gigabit
Parallel	N/A	N/A	N/A
GPIO	4 x DI, 4 x DO	4 x DI, 4 x DO	4 x DI, 4 x DO
Smart Battery			
External Smart Battery	Optional	Optional	Optional
OS Support			
OS Support	Windows 10	Windows 10	Windows 10
Power / Thermal Specs			
Power Requirement (Max)			
Power Consumption (Max)			
Heat Dissipation			
Physical Information			
Mounting	Panel Mount	Panel Mount	Panel Mount
Net Weight			20 Lbs / 9.07 Kg
Physical Dimension (WxHxD)	14.09 x 11.10 x 4.33 inch 358.0 x 282.0 x 110.0 mm	16.58 x 13.90 x 4.46 inch 428.0 x 353.0 x 113.2 mm	20.91 x 12.94 x 4.46 inch 531.0 x 328.8 x 113.3 mm
Recommended Cutout Dimension (WxH)	13.44 x 10.45 inch 341.4 x 265.4 mm	16.20 x 13.25 inch 411.4 x 336.4 mm	20.09 x 12.13 inch 510.2 x 308.0 mm
Environmental			
Operating Temperature	0-50°C (32~122°F)	0-50°C (32~122°F)	0-50°C (32~122°F)
Storage Temperature	-20~60°C (-4~140°F)	-20~60°C (-4~140°F)	-20~60°C (-4~140°F)
Relative Humidity	0~95%	0~95%	0~95%
IP/MENA Rating	Bezel meets NEMA 4/4X requirement	Bezel meets NEMA 4/4X requirement	Bezel meets NEMA 4/4X requirement
Certification	N/A	N/A	N/A

ARP-3815AP-H01



ARP-3819AP-H01

ARP-3821AP-H01

