



ARP-5500AX Series

Wash Down Area Touch Panel Thin Clients
Class 1 Div 2 Hazardous Zone



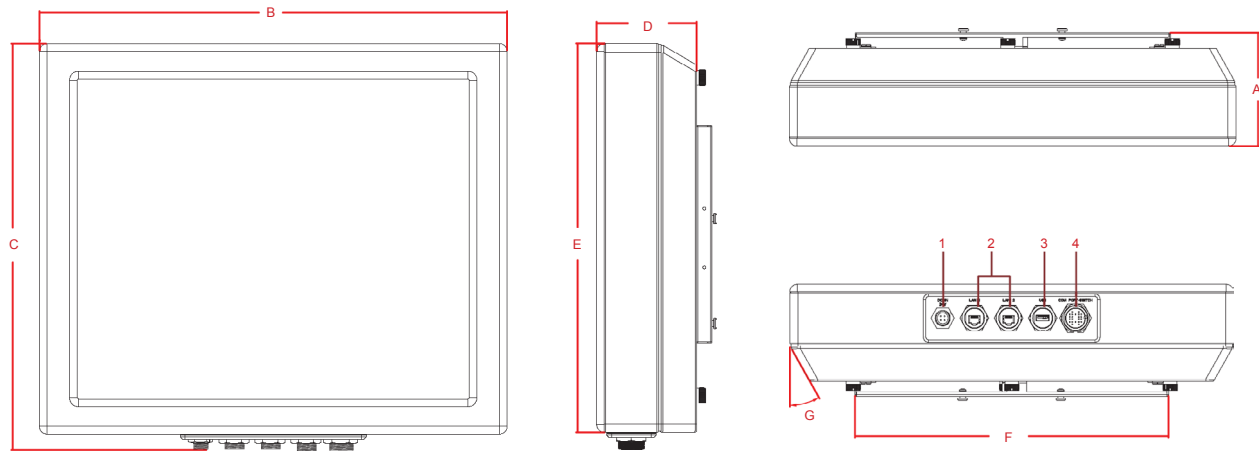
THINMANAGER

Specifications	ARP-5515AX-G01	ARP-5517AX-G01	ARP-5519AX-G01	ARP-5521AX-G01
LCD Display				
Display Size (Diagonal)	15 inch	17 inch	19 inch	21.5 inch
Resolution	1024 x 768	1280 x 1024	1280 x 1024	1920 x 1080
Backlight Lifetime (Hours)	50,000	50,000	50,000	50,000
Visual Characteristics				
Colors	16.7 millions	16.7 millions	16.7 millions	16.7 millions
Aspect ratio	4:3	5:4	5:4	
Viewing angle (V/H)	140° / 160°	140° / 160°	160° / 170°	178° / 178°
Response time (Typical)	8 ms	30 ms	5 ms	14 ms
Pixel Pitch (mm)	0.264 x 0.264	0.264 x 0.264	0.294 x 0.294	0.248 x 0.248
Contrast ratio	700 : 1	800 : 1	1000 : 1	1000 : 1
Brightness	300 nits	350 nits	450 nits	250 nits
Touch Screen				
Technology	5-Wire Resistive	5-Wire Resistive	5-Wire Resistive	5-Wire Resistive
Touch rating	35 million touches	35 million touches	35 million touches	35 million touches
MTBF	490,000 hours	490,000 hours	490,000 hours	490,000 hours
Interface	USB	USB	USB	USB
System				
CPU	Intel i5 mobile Processor	Intel i5 mobile Processor	Intel i5 mobile Processor	Intel i5 mobile Processor
Chipset	Intel QM77	Intel QM77	Intel QM77	Intel QM77
Memory	8GB DDR3	8GB DDR3	8GB DDR3	8GB DDR3
Video Controller	Intel HD Graphics 4000	Intel HD Graphics 4000	Intel HD Graphics 4000	Intel HD Graphics 4000
External Video Output	N/A	N/A	N/A	N/A
Storage Option	N/A	N/A	N/A	N/A
Compact Flash	N/A	N/A	N/A	N/A
Keyboard / Mouse	USB	USB	USB	USB
Audio	N/A	N/A	N/A	N/A
Watchdog Timer	Programmable 1 - 255 sec	Programmable 1 - 255 sec	Programmable 1 - 255 sec	Programmable 1 - 255 sec
Remote Boot	ACP, PXE	ACP, PXE	ACP, PXE	ACP, PXE
I/O Communication				
USB Port	1 x USB 2.0	1 x USB 2.0	1 x USB 2.0	1 x USB 2.0
Serial Port	2 x RS-232	2 x RS-232	2 x RS-232	2 x RS-232
LAN	2 x Gigabit	2 x Gigabit	2 x Gigabit	2 x Gigabit
Parallel	N/A	N/A	N/A	N/A
GPIO	N/A	N/A	N/A	N/A
ThinManager Support				
ThinManager Support	ThinManager 7 & Up	ThinManager 7 & Up	ThinManager 7 & Up	ThinManager 7 & Up
Power / Thermal Specs				
Power Requirement (Max)	24VDC / 3.54A	24VDC / 3.04A	24VDC / 3.18A	24VDC / 3.96A
Power Consumption (Max)	85 W	73 W	77 W	95 W
Recommended Power Supply	122 W	105 W	109 W	136 W
Heat Dissipation	290 BTU/hr	250 BTU/hr	261 BTU/hr	325 BTU/hr
Physical Information				
Mounting	Pedestal, VESA, Wall and Ceiling mount, Benchtop	Pedestal, VESA, Wall and Ceiling mount, Benchtop	Pedestal, VESA, Wall and Ceiling mount, Benchtop	Pedestal, VESA, Wall and Ceiling mount, Benchtop
Net Weight	46 Lbs / 21.00 kg	48 lbs / 22.00 kg	51 lbs/ 23.00 kg	60 lbs/ 27.22 kg
Physical Dimension (WxHxD)	14.51 x 12.42 x 4.09 inch 368.6 x 315.5 x 103.9 mm	15.88 x 14.07 x 4.36 inch 403.4 x 357.4 x 110.7 mm	17.80 x 15.19 x 4.40 inch 452.1 x 385.8 x 111.8 mm	22.18 x 13.47 x 4.63 inch 563.4 x 342.2 x 117.7 mm
Cutout Dimension (WxH)	N/A	N/A	N/A	N/A
Physical Information				
Operating Temp	0~50°C (32~122°F)	0~50°C (32~122°F)	0~50°C (32~122°F)	0~50°C (32~122°F)
Storage Temp	-20~60°C (-4~140°F)	-20~60°C (-4~140°F)	-20~60°C (-4~140°F)	-20~60°C (-4~140°F)
Relative Humidity	5~95%	5~95%	5~95%	5~95%
IP/NEMA Rating	Meets NEMA 4X requirement	Meets NEMA 4X requirement	Meets NEMA 4X requirement	Meets NEMA 4X requirement
Certification				

Specifications	ARP-5515AX-E01	ARP-5517AX-E01	ARP-5519AX-E01	ARP-5521AX-E01	ARP-5542AX-E01
LCD Display					
Display Size (Diagonal)	15 inch	17 inch	19 inch	21.5 inch	42 inch
Resolution	1024 x 768	1280 x 1024	1280 x 1024	1920 x 1080	1920 x 1080
Backlight Lifetime (Hours)	50,000	50,000	50,000	50,000	50,000
Visual Characteristics					
Colors	16.7 millions	16.7 millions	16.7 millions	16.7 millions	1073 millions
Aspect ratio	4:3	5:4	5:4	16:9	16:9
Viewing angle (V/H)	140° / 160°	140° / 160°	160° / 170°	178° / 178°	178° / 178°
Response time (Typical)	8 ms	30 ms	5 ms	14 ms	8 ms
Pixel Pitch (mm)	0.264 x 0.264	0.264 x 0.264	0.294 x 0.294	0.248 x 0.248	0.484 x 0.484
Contrast ratio	700 : 1	800 : 1	1000 : 1	1000 : 1	4000 : 1
Brightness	300 nits	350 nits	450 nits	250 nits	500 nits
Touch Screen					
Technology	5-Wire Resistive	5-Wire Resistive	5-Wire Resistive	Projected Capacitive	Infrared
Touch rating	35 million touches	35 million touches	35 million touches	50 million touches	N/A
MTBF	490,000 hours	490,000 hours	490,000 hours	N/A	N/A
Interface	USB	USB	USB	USB	USB
System					
CPU	Intel E3845 1.91GHz Quad Core ATOM CPU	Intel E3845 1.91GHz Quad Core ATOM CPU	Intel E3845 1.91GHz Quad Core ATOM CPU	Intel E3845 1.91GHz Quad Core ATOM CPU	Intel E3845 1.91GHz Quad Core ATOM CPU
Chipset	Bay Trail	Bay Trail	Bay Trail	Bay Trail	Bay Trail
Memory	4GB DDR3 SO-DIMM	4GB DDR3 SO-DIMM	4GB DDR3 SO-DIMM	4GB DDR3 SO-DIMM	4GB DDR3 SO-DIMM
Video Controller	Intel Gen7 Intel Graphics DX 11, OGL3.2	Intel Gen7 Intel Graphics DX 11, OGL3.2	Intel Gen7 Intel Graphics DX 11, OGL3.2	Intel Gen7 Intel Graphics DX 11, OGL3.2	Intel Gen7 Intel Graphics DX 11, OGL3.2
External Video Output	N/A	N/A	N/A	N/A	N/A
Storage Option	N/A	N/A	N/A	N/A	N/A
Compact Flash	N/A	N/A	N/A	N/A	N/A
Keyboard / Mouse	USB	USB	USB	USB	USB
Audio	N/A	N/A	N/A	N/A	N/A
Watchdog Timer	Programmable 1 - 255 sec	Programmable 1 - 255 sec	Programmable 1 - 255 sec	Programmable 1 - 255 sec	Programmable 1 - 255 sec
Remote Boot	ACP, PXE	ACP, PXE	ACP, PXE	ACP, PXE	ACP, PXE
Expansion Slot	N/A	N/A	N/A	N/A	N/A
I/O Communication					
USB Port	1 x USB 2.0	1 x USB 2.0	1 x USB 2.0	1 x USB 2.0	1 x USB 2.0
Serial Port	N/A	N/A	N/A	N/A	N/A
LAN	2 x Gigabit	2 x Gigabit	2 x Gigabit	2 x Gigabit	2 x Gigabit
Parallel	N/A	N/A	N/A	N/A	N/A
GPIO	N/A	N/A	N/A	N/A	N/A
ThinManager Support					
External Smart Battery	N/A	N/A	N/A	N/A	N/A
OS Support					
ThinManager Support	Thin Manager 6 & Up	Thin Manager 6 & Up	Thin Manager 6 & Up	Thin Manager 6 & Up	Thin Manager 6 & Up
Power / Thermal Specs					
Power Requirement (Max)	24VDC / 1.17A	24VDC / 1.25A	24VDC / 1.25A	24VDC / 1.58A	24VDC / 7.54A
Power Consumption (Max)	28 W	30 W	30 W	38 W	181 W
Recommended Power Supply	40 W	43 W	43 W	55 W	259 W
Heat Dissipation	96 BTU/hr	103 BTU/hr	103 BTU/hr	130 BTU/hr	618 BTU/hr
Physical Information					
Mounting	Pedestal, VESA, Wall and Ceiling mount, Benchtop	Pedestal, VESA, Wall and Ceiling mount, Benchtop	Pedestal, VESA, Wall and Ceiling mount, Benchtop	Pedestal, VESA, Wall and Ceiling mount, Benchtop	Wall Mount
Net Weight	32 Lbs/ 14.52 kg	34 Lbs / 15.42 Kg	35 Lbs / 15.88 Kg	40 Lbs / 18.14 Kg	110 Lbs/ 50 kg
Physical Dimension (WxHxD)	14.51 x 12.42 x 4.09 inch 368.6 x 315.5 x 103.9 mm	15.88 x 14.07 x 4.36 inch 403.4 x 357.4 x 110.7 mm	17.80 x 15.19 x 4.40 inch 452.1 x 385.8 x 111.8 mm	22.18 x 13.47 x 4.63 inch 563.4 x 342.2 x 117.7 mm	42.87 x 27.29 x 5.38 inch 1089.0 x 693.05 x 136.1 mm
Cutout Dimension (WxH)	N/A	N/A	N/A	N/A	N/A
Physical Information					
Operating Temp	0~50°C (32~122°F)	0~50°C (32~122°F)	0~50°C (32~122°F)	0~50°C (32~122°F)	0~50°C (32~122°F)
Storage Temp	-20~60°C (-4~140°F)	-20~60°C (-4~140°F)	-20~60°C (-4~140°F)	-20~60°C (-4~140°F)	-20~60°C (-4~140°F)
Relative Humidity	0~95%	0~95%	0~95%	0~95%	0~95%
IP/NEMA Rating	Meets NEMA 4X requirement	Meets NEMA 4X requirement	Meets NEMA 4X requirement	Meets NEMA 4X requirement	Meets NEMA 4X requirement
Certification					

Ordering Information		
	ARP-55XXAX-G01-007	ARP-55XXAX-G01-P07
LCD Display	Standard	Standard
Touch Screen	5-Wire	5-Wire
Enclosure	Stainless Steel	Stainless Steel
CPU	i5 Mobile	i5 Mobile
Memory	8GB DDR3	8GB DDR3
Storage	N/A	N/A
Remote Boot	ACP Enable	PXE
Power Supply	110/220VAC Input DIN-Rail	110/220VAC Input DIN-Rail
	ARP-55XXAX-E01-007	ARP-55XXAX-E01-P07
LCD Display	Standard	Standard
Touch Screen	5-Wire	5-Wire
Enclosure	Stainless Steel	Stainless Steel
CPU	E3845 ATOM CPU	E3845 ATOM CPU
Memory	4GB DDR3	4GB DDR3
Storage	N/A	N/A
Remote Boot	ACP Enable	PXE
Power Supply	110/220VAC Input DIN-Rail	110/220VAC Input DIN-Rail

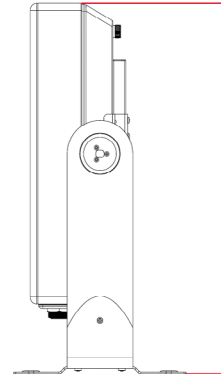
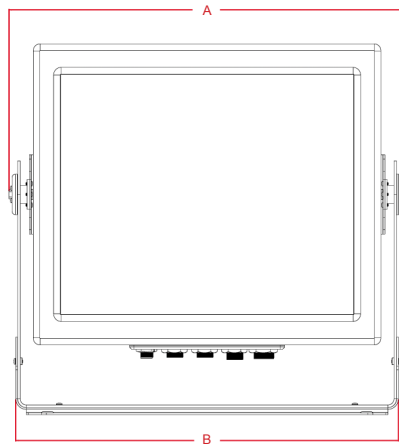
ARP-5500AX Series Line Drawing



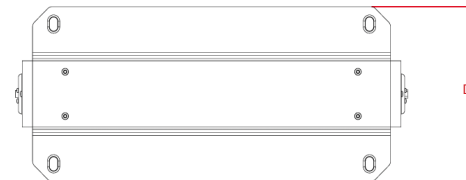
	ARP-5515AX	ARP-5517AX	ARP-5519AX
A	4.09 inch / 103.9 mm	4.36 inch / 110.7 mm	4.4 inch / 111.8 mm
B	14.51 inch / 368.6 mm	15.88 inch / 403.4 mm	17.8 inch / 452.1 mm
C	12.42 inch / 315.5 mm	14.07 inch / 357.4 mm	15.19 inch / 385.8 mm
D	3.5 inch / 88.9 mm	3.77 inch / 95.8 mm	3.81 inch / 96.8 mm
E	11.8 inch / 299.7 mm	13.46 inch / 341.9 mm	14.60 inch / 370.8 mm
F	12.575 inch / 319.4 mm	12.575 inch / 319.4 mm	12.575 inch / 319.4 mm
G	30°	30°	30°

- 1 = Power
- 2 = Ethernet Ports
- 3 = USB
- 4 = 22 Pin Universal Port

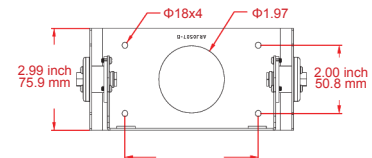
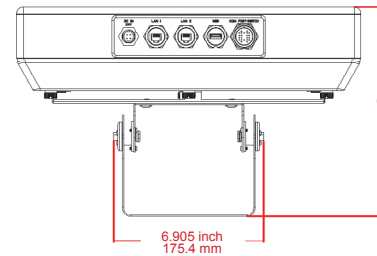
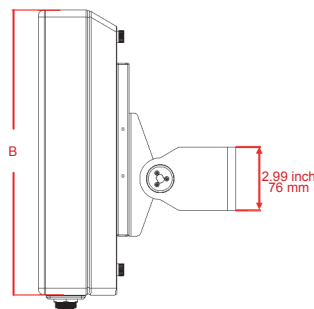
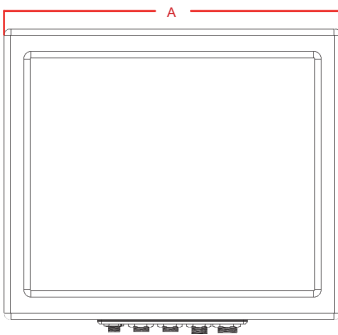
Benchtop Stand Assembly



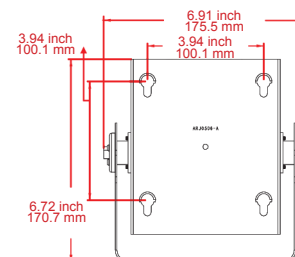
	ARP-5515AX	ARP-5517AX	ARP-5519AX
A	16.79 inch / 426.4 mm	18.09 inch / 459.4 mm	19.86 inch / 504.4 mm
B	16.17 inch / 410.8 mm	17.47 inch / 443.8 mm	19.24 inch / 488.8 mm
C	14.95 inch / 379.7 mm	16.57 inch / 420.9 mm	17.71 inch / 449.8 mm
D	7.87 inch / 200.0 mm	7.87 inch / 200.0 mm	7.87 inch / 200.0 mm



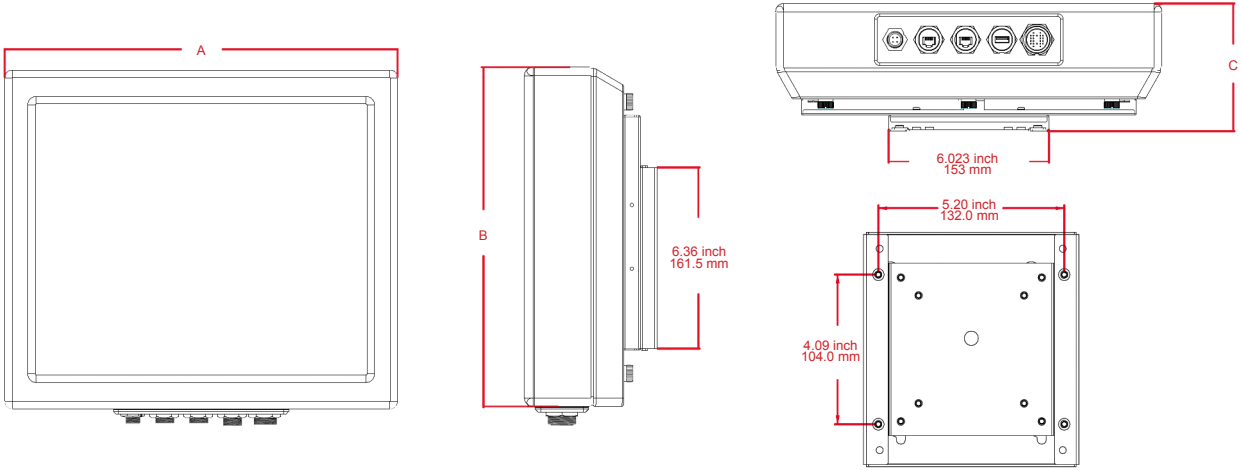
Pedestal Mount Bracket Assembly



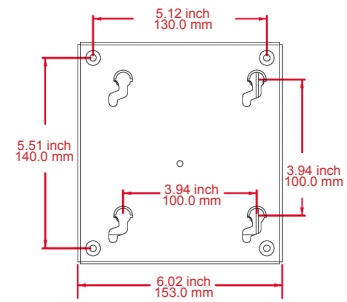
	ARP-5515AX	ARP-5517AX	ARP-5519AX
A	14.51 inch / 368.5mm	15.88 inch / 403.3mm	17.80 inch / 452.1mm
B	11.80 inch / 299.6mm	13.46 inch / 341.8mm	14.60 inch / 370.8mm
C	9.21 inch / 234.0mm	9.48 inch / 240.8mm	9.52 inch / 241.8mm



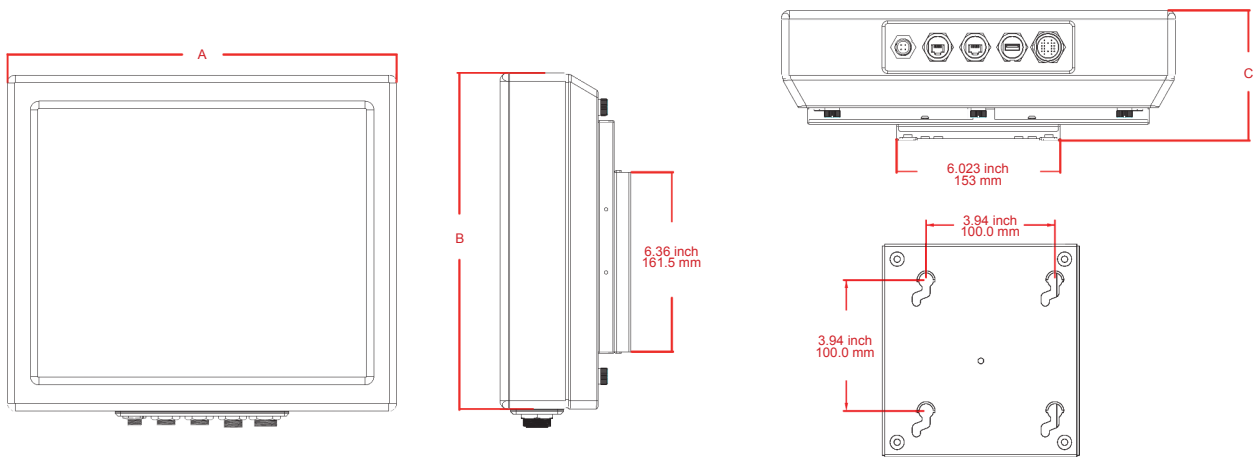
VESA Mount Bracket Assembly



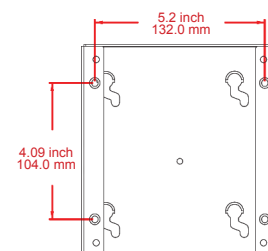
	ARP-5515AX	ARP-5517AX	ARP-5519AX
A	14.51inch / 368.5mm	15.88inch / 403.3mm	17.80inch / 452.1mm
B	11.80inch / 299.6mm	13.46inch / 341.8mm	14.60inch / 370.8mm
C	4.69inch / 119.0mm	4.95inch / 125.8mm	4.99inch / 126.8mm



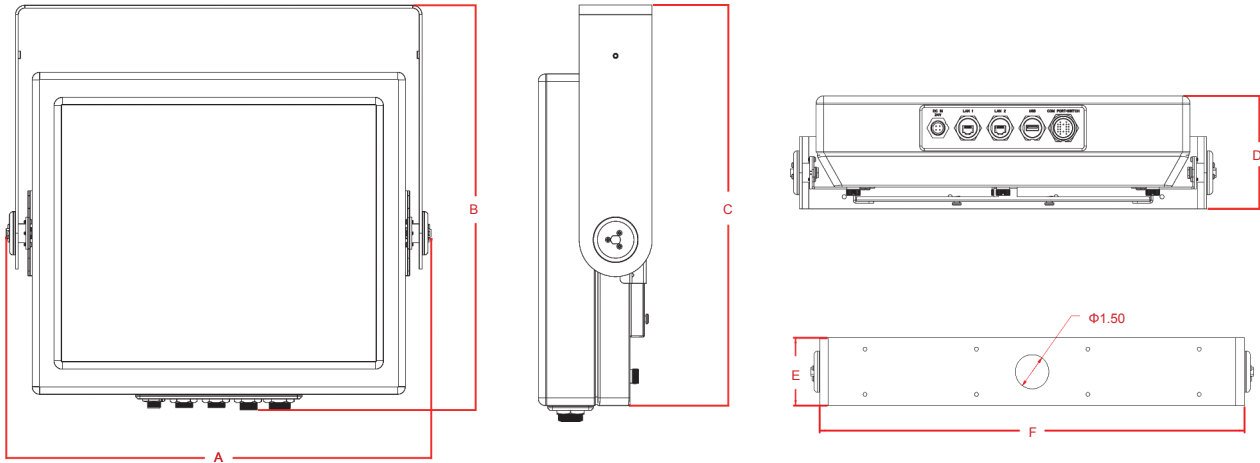
Wall Mount Bracket Assembly



	ARP-5515AX	ARP-5517AX	ARP-5519AX
A	14.51inch / 368.5mm	15.88inch / 403.3mm	17.80inch / 452.1mm
B	11.80inch / 299.6mm	13.46inch / 341.8mm	14.60inch / 370.8mm
C	4.69inch / 119.0mm	4.95inch / 125.8mm	4.99inch / 126.8mm

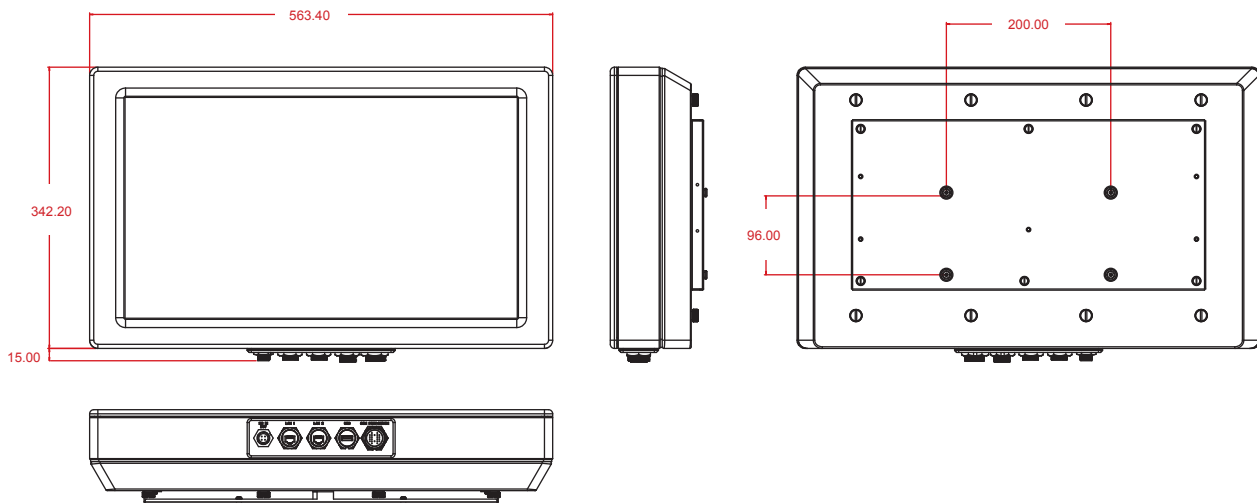


Ceiling Mount Assembly

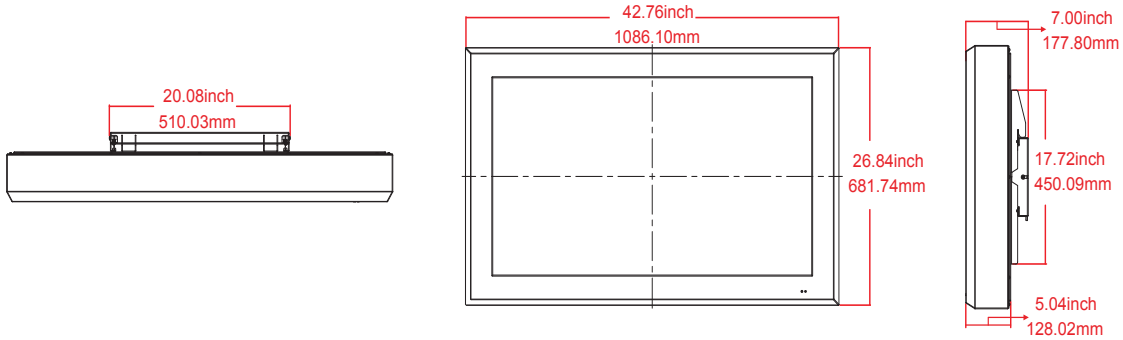


	ARP-5515AX	ARP-5517AX	ARP-5519AX
A	16.79 inch / 426.4 mm	18.09 inch / 459.4 mm	19.86 inch / 504.4 mm
B	15.30 inch / 388.6 mm	16.92 inch / 429.7 mm	18.05 inch / 458.5 mm
C	14.64 inch / 371.8 mm	16.26 inch / 412.9 mm	17.39 inch / 441.8 mm
E	4.41 inch / 112.0 mm	4.68 inch / 118.8 mm	4.72 inch / 119.8 mm
F	2.99 inch / 76.0 mm	2.99 inch / 76.0 mm	2.99 inch / 76.0 mm
G	16.00 inch / 406.4 mm	17.30 inch / 439.4 mm	19.07 inch / 484.4 mm

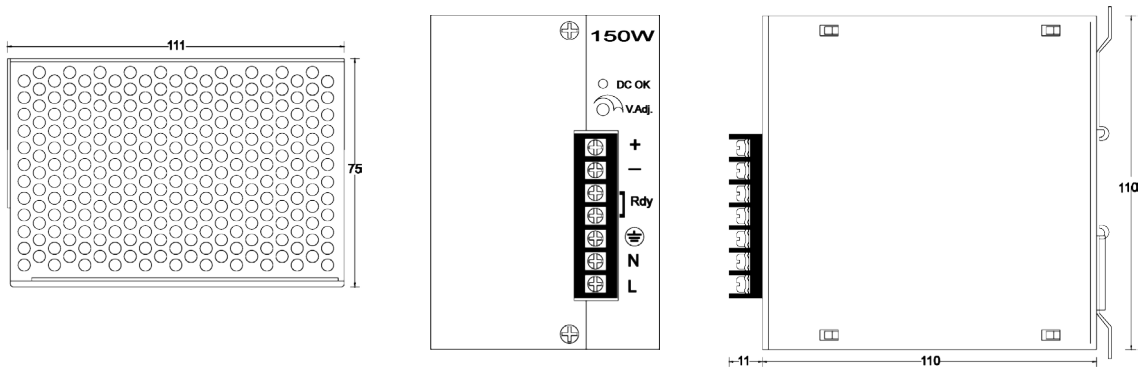
ARP-5521AX-G01



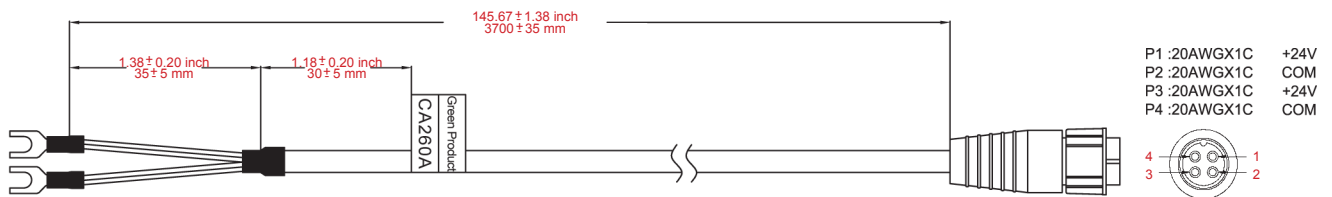
ARP-5524AX-E01



APS-DR1150F-24



Model : CA260A (24 VDC Input power cord)



APS-DR1240C-24

