

ARP-5500AX-E01 Series Waterproof Industrial Computer

ARP-5515AX-E01 ARP-5517AX-E01 ARP-5519AX-E01

ARP-5521AX-E01 ARP-5542AX-E01



USER MANUAL

This manual is a user guide for ARP-5500AX-E01 Series waterproof industrial panel computer. It includes detailed description about how to install and operate the product. Arista Corporation recommends users to read through the entire manual and follow instructions to avoid any kind of obscurity in using the product. For any questions or support, please call us at 1.877.827.4782 Monday through Friday 8:00am to 5:00PM Pacific Time.

Product safety precautions

Read this document before installation, configuration and operation of this equipment. Users are required to familiarize with all the information and applicable standards prior to using this manual. This manual should be saved for future reference and use.

- Relative humidity: 25%~80%
- Storage temperature: -20°C to 60°C(-4F to 140F)
- Operation temperature: 0~50°C(32F to 122F)
- Unplug the unit when not in use for an extended period of time.
- Consult a service technician if the ARP-5500AX-E01 Series waterproof industrial panel computer does not operate normally when you have followed the instructions in this manual.
- Do not attempt to repair this product yourself. Always get a qualified service technician to carry out adjustments or repairs.
- Do not place heavy objects on the unit.
- For any reason a power cord is used, it should be certified by local and national standards and used under guidance of authorized technician.
- Never use a faulty power cord with this unit. Please contact the manufacturer or nearest authorized repair service right away for a replacement if damaged power cord is received.
- The power supply cord is used as the main disconnect device. Ensure that the socket outlet is easily accessible after installation.
- Overloaded AC outlets, extension cords, frayed power cords, and broken plugs are extremely dangerous. They may, and can, result in an electrical shock or fire hazard. Call an authorized service technician for any replacements.
- Hands must be dry when plugging the power cord into an AC outlet to prevent electrical shock. Do not damage the power cord by disassembling, bending, pulling or exposing it to heat as it may cause a fire or electrical shock.
- Make sure to completely insert the power plug into an AC outlet. Insecure connections can cause fire.
- Ensure that the power source is grounded correctly.
- Unplug the unit if cleaning is needed. The unit may be wiped with a dry or slightly damp cloth when the power is off.

Important: Read all the contents of this instruction manual carefully before using the ARP-5500AX-E01 Series waterproof industrial panel computer.

Contents

Product safety precautions	2
Contents	3
Chapter 1 Welcome	4
Features.....	4
Product specifications	5
Unpacking	7
Chapter 2 Basics.....	8
Product Overview.....	8
Configuration.....	14
Physical dimensions	15
Chapter 3 Connections	16
Mounting the computer.....	17
Connecting to keyboard or mouse.....	28
Connecting to network.....	28
Connecting the power supply.....	29
Chapter 4 Driver Installation.....	31
Chipset device driver.....	31
Display driver.....	34
LAN driver.....	38
Audio driver.....	40
Chapter 5 Settings.....	42
Installing the eGalaxTouch Utility.....	42
Using the eGalaxTouch Utility.....	43
Chapter 6 BIOS Setup.....	45
Introduction.....	45
Entering the setup.....	46
Main Menu.....	48
Advanced Menu.....	49
Chipset Menu.....	56
Security Menu.....	59
Boot Menu.....	60
Save&Exit Menu.....	61
Chapter 7 Appendix.....	62
Care and Maintenance	62
Product Limited Warranty.....	63
Disposal and Recycling Information.....	68
Disclaimer and Copyright Notice.....	68

Chapter 1 Welcome

Features

ARP-5500AX-E01 Series of waterproof industrial panel computers are completely sealed and water-resistant. ARP-5500AX-E01 Series operates at 24VDC input, it packs Intel 1.9GHz E3845 Quad Core Atom CPU and up to 8GB memory into compact, slim and fully sealed stainless steel enclosure. The water-proof connectors provides access for dual Gigabit Ethernet ports and one USB port. ARP-5500AX-E01 Series is available in 5 different sizes of LCD display, 15", 17", 19", 21.5" and 42". The resistive touch screen can be operated with or without gloves. The WiFi option extends connectivity at the location where wire networking is not available, moreover, it also supports 3G/4G SIM card wireless network.

- 15", 17", 19", 21.5", 42" industrial waterproof display, 1024 x 768 (15"), 1280 x 1024 (17", 19"), 1920 x 1080 (21.5", 42") resolution
- Stainless Steel Enclosure
- 5-Wire Resistive Touch or Tempered Glass
- Intel 1.9GHz E3845 Quad Core Atom CPU
- 8GB DDR3 SO-DIMM Memory
- Dual Gigabit LAN
- WiFi Connectivity (Optional)
- Supports 3G/4G SIM card wireless network
- 1 x 2.5" SATA HDD

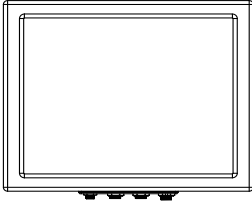
Product specifications

Specifications	ARP-5515AX-E01	ARP-5517AX-E01	ARP-5519AX-E01	ARP-5521AX-E01
LCD Display				
Display Size (Diagnol)	15 inch	17 inch	19 inch	21.5 inch
Resolution	1024 x 768	1280 x 1024	1280 x 1024	1920 x 1080
Backlight Lifetime (Hours)	50,000	50,000	50,000	50,000
Visual Characteristics				
Colors	16.7 million	16.7 million	16.7 millions	16.7 millions
Aspect ratio	4:3	5:4	5:4	16:9
Viewing angle (V/H)	140° / 170°	160° / 140°	160° / 170°	178° / 178°
Response time (Typical)	5ms	30 ms	30ms	14 ms
Pixel Pitch (mm)	0.297 x 0.297	0.264 x 0.264	0.294 x 0.294	0.248 x 0.248
Contrast ratio	700 : 1	800 : 1	1000 : 1	1000 : 1
Brightness	300 nits(max.)	350 nits(max.)	450 nits(max.)	250 nits
Touch Screen				
Technology	5 Wire Resistive	5 Wire Resistive	5 Wire Resistive	5 Wire Resistive
Touch rating	35 million touches	35 million touches	35 million touches	35 million touches
MTBF	490,000 hours	490,000 hours	490,000 hours	490,000 hours
Interface	USB	USB	USB	USB
Driver	Windows 7 & up	Windows 7 & up	Windows 7 & up	Windows 7 & up
System				
CPU	1.9GHz Quad Core E3845	1.9GHz Quad Core E3845	1.9GHz Quad Core E3845	1.9GHz Quad Core E3845
Chipset	Intel Bay Trail	Intel Bay Trail	Intel Bay Trail	Intel Bay Trail
Memory	Up to 8GB DDR3 SO-DIMM	Up to 8GB DDR3 SO-DIMM	Up to 8GB DDR3 SO-DIMM	Up to 8GB DDR3 SO-DIMM
Video Controller	Gen7/Graphics DX11/OGL3.2	Gen7/Graphics DX11/OGL3.2	Gen7/Graphics DX11/OGL3.2	Gen7/Graphics DX11/OGL3.2
Storage Option	2.5" HDD, 2.5" SSD, CFast card	2.5" HDD, 2.5" SSD, CFast card	2.5" HDD, 2.5" SSD, CFast card	2.5" HDD, 2.5" SSD, CFast card
Compact Flash	N/A	N/A	N/A	N/A
Keyboard / Mouse	USB	USB	USB	USB
Audio	N/A	N/A	N/A	N/A
Watchdog Timer	Programmable 1 - 255 sec	Programmable 1 - 255 sec	Programmable 1 - 255 sec	Programmable 1 - 255 sec
Remote Boot	ACP, PXE	ACP, PXE	ACP, PXE	ACP, PXE
Expansion Slot	N/A	N/A	N/A	N/A
I/O Communication				
USB Port	1 x USB 2.0	1 x USB 2.0	1 x USB 2.0	1 x USB 2.0
Serial Port	N/A	N/A	N/A	N/A
LAN	2 x Gigabit	2 x Gigabit	2 x Gigabit	2 x Gigabit
Parallel	N/A	N/A	N/A	N/A
OS Support				
OS Support	Windows 7 & up	Windows 7 & up	Windows 7 & up	Windows 7 & up
Power / Thermal Specs				
Power Requirement (Max)	24VDC/1.17A	24VDC/1.25A	24VDC/1.25A	
Power Consumption (Max)	28W, Recommended Value:40W	30W, Recommended Value:43W	30W, Recommended Value:43W	
Heat Dissipation	96BTU/hr	103BTU/hr	103BTU/hr	
Physical Information				
Mounting	Pedestal, VESA, Wall and Ceiling mount, Benchtop	Pedestal, VESA, Wall and Ceiling mount, Benchtop	Pedestal, VESA, Wall and Ceiling mount, Benchtop	Pedestal, VESA, Wall and Ceiling mount, Benchtop
Net Weight	32Lbs/14.52kg	34Lbs/15.42kg	35Lbs/15.88kg	
Physical Dimension	14.51 X 12.42 X 4.09inch 368.6 X 315.5 X 103.9 mm	15.88 X 14.07 X 4.36inch 403.4 X 357.4 X 110.7 mm	17.80 X 15.19 X 4.40inch 452.1 X 385.8 X 111.8 mm	20.94 X 13.58 X 3.69inch 532.0 X 344.8 X 93.7 mm
Cutout Dimension (WXH)	N/A	N/A	N/A	N/A
Physical Information				
Operating Temp	0~50°C (32~122°F)	0~50°C (32~122°F)	0~50°C (32~122°F)	0~50°C (32~122°F)
Storage Temp	-20~60°C (-4~140°F)	-20~60°C (-4~140°F)	-20~60°C (-4~140°F)	-20~60°C (-4~140°F)
Relative Humidity	0~95% (non-condensing)	0~95% (non-condensing)	0~95% (non-condensing)	0~95% (non-condensing)
IP/NEMA Rating	Meets NEMA 4X	Meets NEMA 4X	Meets NEMA 4X	Meets NEMA 4X
Certification	N/A	N/A	N/A	N/A

Specifications	ARP-5542AX-E01		
LCD Display			
Display Size (Diagnol)	42 inch		
Resolution	1920 x 1080 Full HD		
Backlight Lifetime (Hours)	50,000		
Visual Characteristics			
Colors	1073 million		
Aspect ratio	16:9		
Viewing angle (V/H)	178° / 178°		
Response time (Typical)	8ms		
Pixel Pitch (mm)	0.484 x 0.484		
Contrast ratio	4000:1		
Brightness	500 nits		
Touch Screen			
Technology	Infrared		
Touch rating	N/A		
MTBF	N/A		
Interface	USB		
Driver	Windows 7 & up		
System			
CPU	Intel E3845 1.91GHz Quad Core ATOM CPU		
Chipset	Intel Bay Trail		
Memory	Up to 8GB DDR3 SO-DIMM		
Video Controller	Intel Gen7, Intel Graphics DX 11, OGL3.2		
Storage Option	2.5" HDD, 2.5" SSD, CFast card		
Compact Flash	N/A		
Keyboard / Mouse	USB		
Audio	N/A		
Watchdog Timer	Programmable 1 - 255 sec		
Remote Boot	ACP ,PXE		
Expansion Slot	N/A		
I/O Communication			
USB Port	1 x USB 2.0		
Serial Port	N/A		
LAN	2 x Gigabit		
Parallel	N/A		
OS Support			
OS Support	Windows 7 & up		
Power / Thermal Specs			
Power Requirement (Max)	24VDC/7.54A		
Power Consumption (Max)	181W, Recommended Value:259W		
Heat Dissipation	618 BTU/hr		
Physical Information			
Mounting	Wall mount		
Net Weight	110 Lbs/50 kg		
Physical Dimension	42.87 X 27.29 X 5.38 inch 1089.0 X 693.05 X 136.1 mm		
Cutout Dimension (WxH)	N/A		
Physical Information			
Operating Temp	0~50°C (32~122°F)		
Storage Temp	-20~60°C (-4~140°F)		
Relative Humidity	0~95% (non-condensing)		
IP/NEMA Rating	Meets NEMA 4X		
Certification	N/A		

Unpacking

Open the package and inspect items carefully to make sure no item is damaged and all items listed are present in the package.



ARP-5500AX-E01 Series
waterproof panel computer x1



DIN-Rail AC/DC power supply x1



AC power cable x1

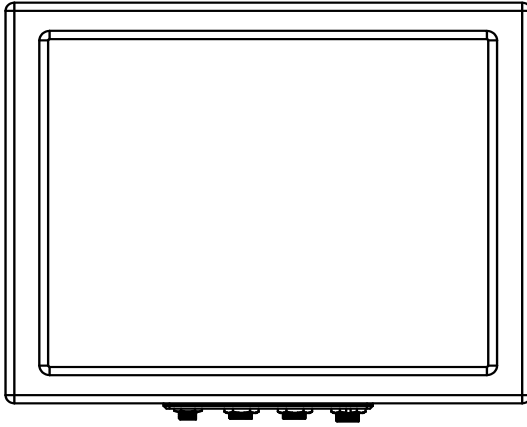


DC power cable x1

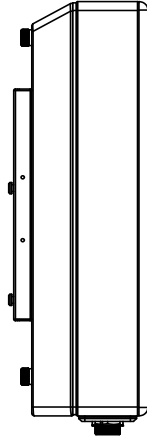
Chapter 2 Basics

Product Overview

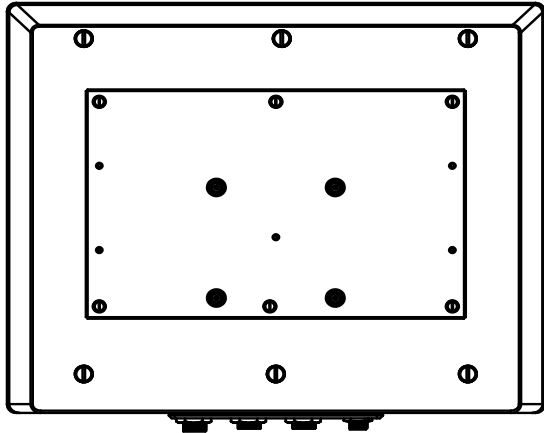
Front



Side

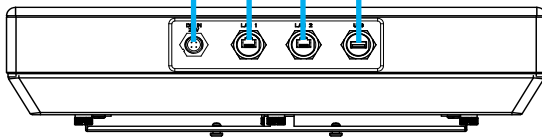


Rear

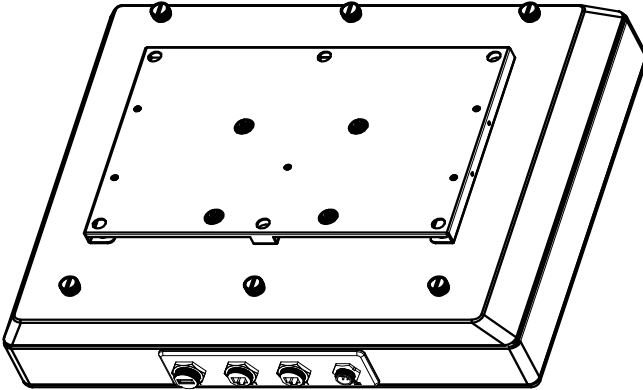
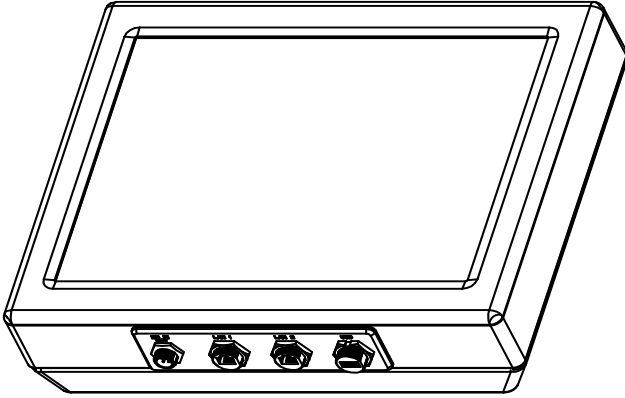


DC-IN 24V power jack RJ45 LAN port USB port

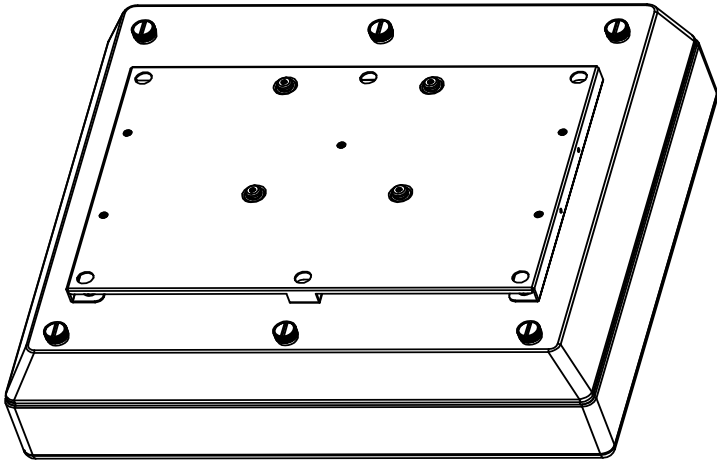
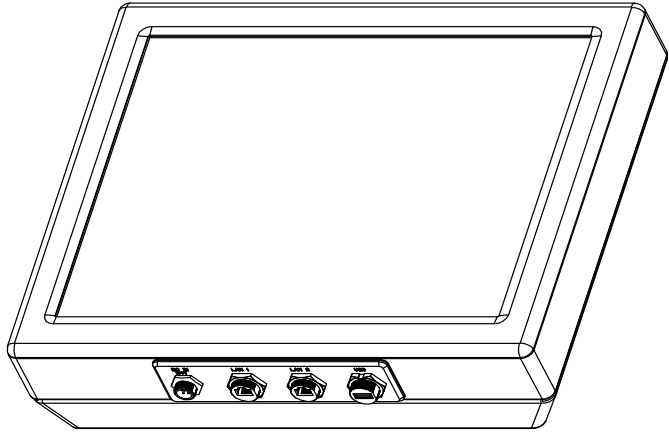
Bottom



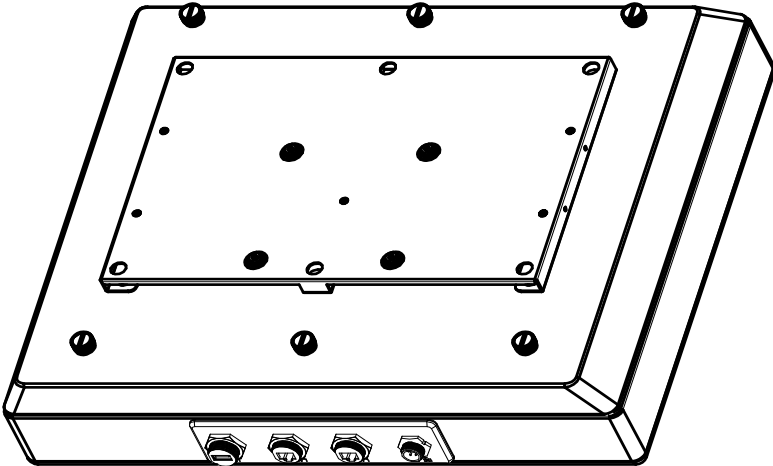
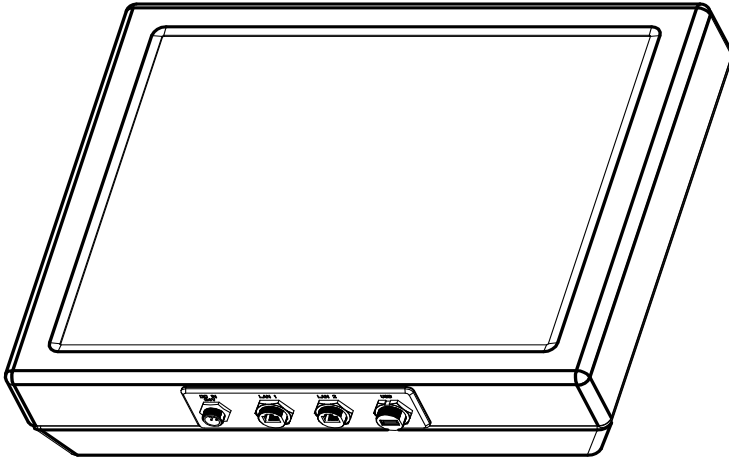
ARP-5515AP-E01



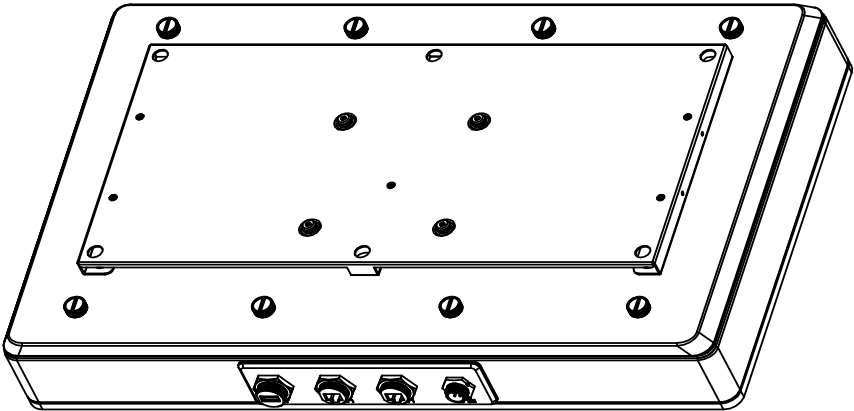
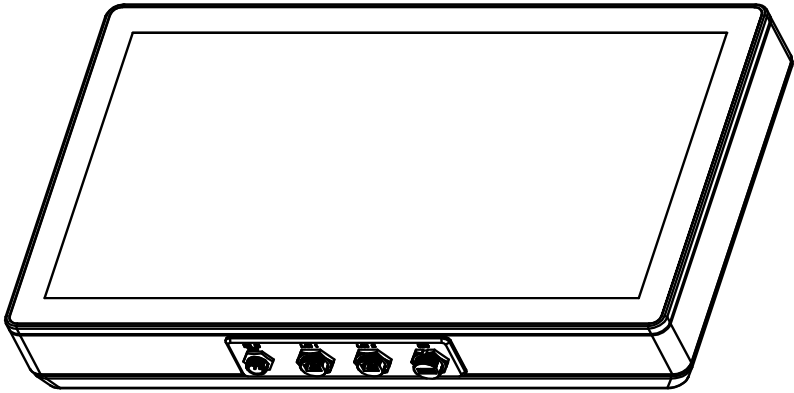
ARP-5517AP-E01



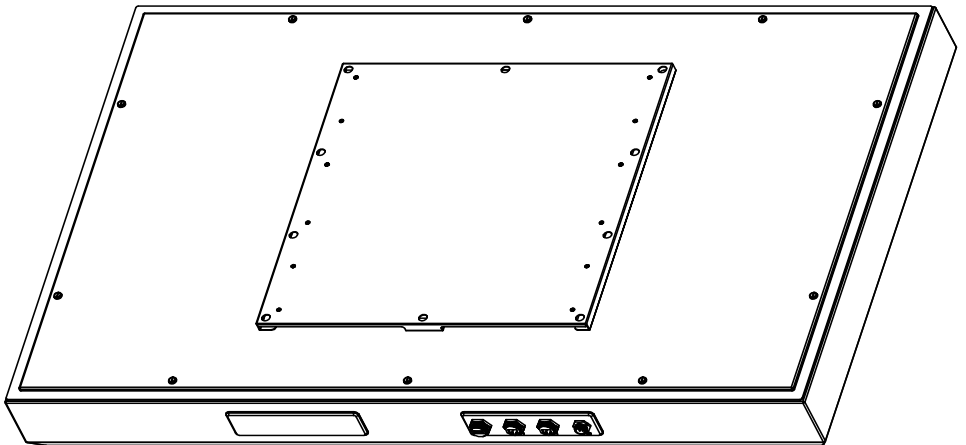
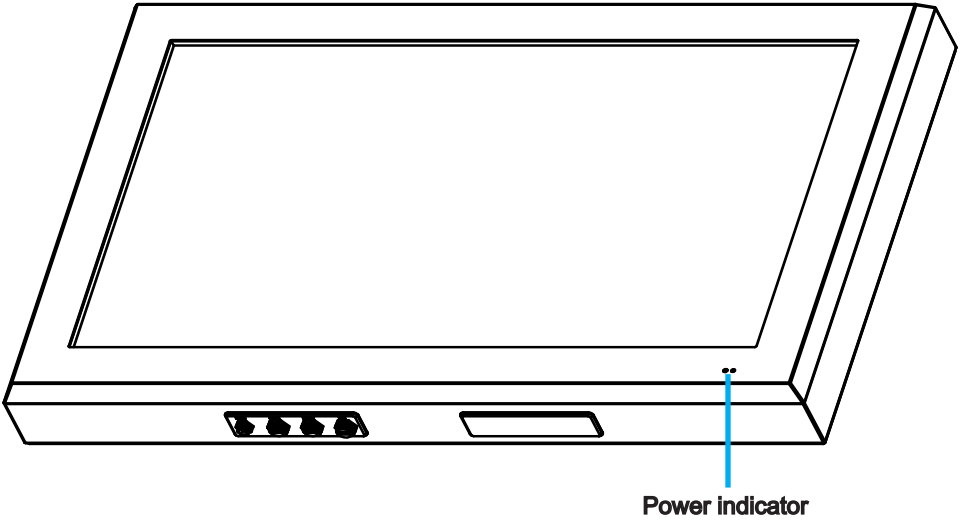
ARP-5519AP-E01



ARP-5521AP-E01



ARP-5542AP-E01



Configuration

There is a label located on the back of the unit that shows the serial number and configuration. The serial number is unique, and the configuration indicates options the unit is built with. The configuration is given in two parts: the model number and the order information.

Model number

The model number can be parsed as follows:

For more detailed technical information, including configuration layout, please contact Arista customer support at (510) 226-1800, ext. 400

ARP - 55□□ - □□□□ - □□□□
 Display Size Motherboard Configuration

Display Size	
15	15-inch
17	17-inch
19	19-inch
21	21-inch
42	42-inch

Motherboard	
E01	Intel E3845 1.91GHz Quad Core ATOM CPU, up to 8GB DDR3 SO-DIMM

Configuration	
007	CPU: E3845 ATOM CPU Memory: 4GB DDR3 Touch screen: 5 Wire Resistive Enclosure: Stainless Steel Remote Boot: ACP Enable Power Supply: 110/220VAC Input DIN-Rail

Bracket Assembly Options

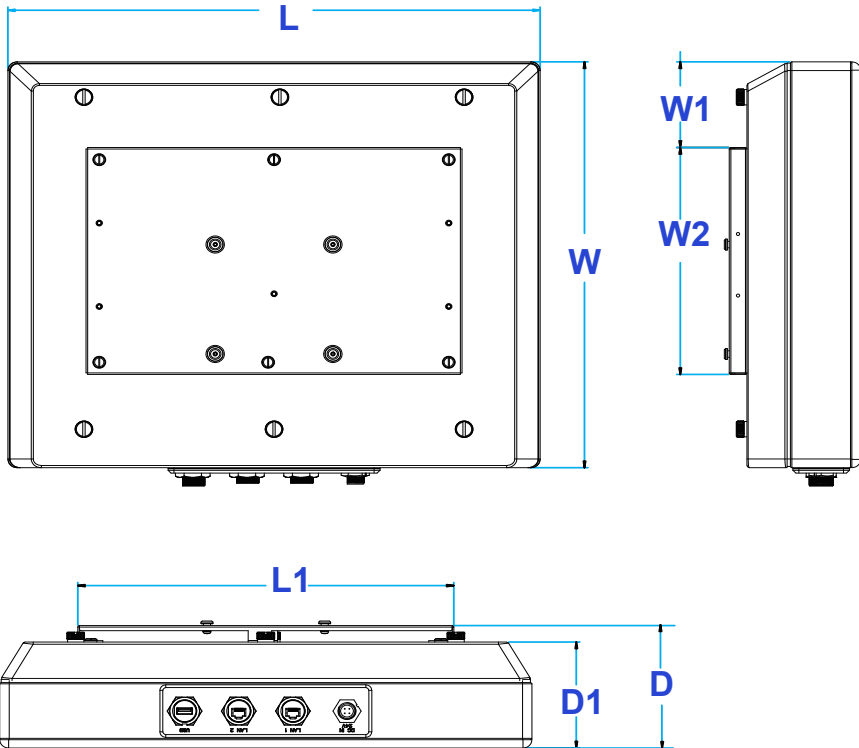
X□□ - □□□□
 Mounting Type Mounting Size

Mounting Type	
TM	Pedestal Mount
VM	VESA Mount
WM	Wall Mount
DS	Benchtop stand
CM	Ceiling Mount

Mounting Size	
000	Common use
001	15-inch
002	17-inch
003	19-inch

Physical dimension

The diagrams below show the physical dimensions of the ARP-5500AX-E01 Series waterproof industrial panel computer.



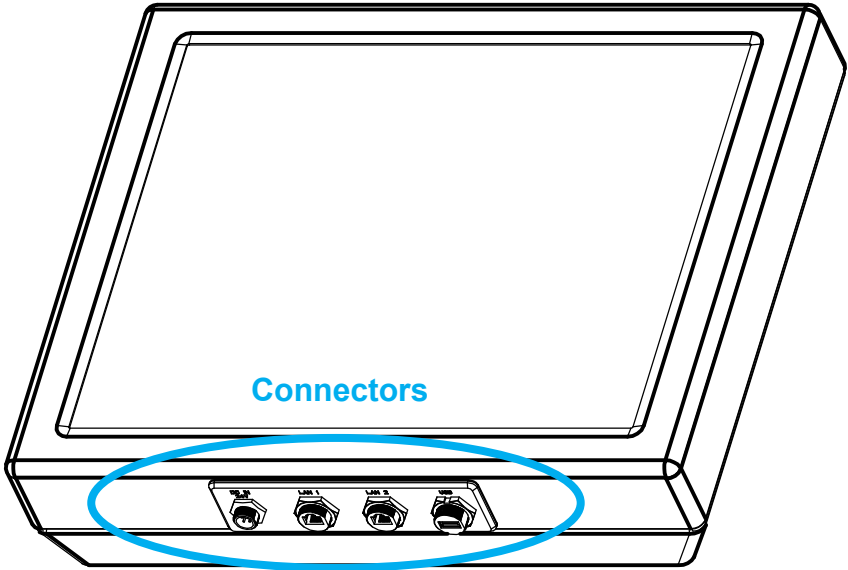
	ARP-5515AX-E01	ARP-5517AX-E01	ARP-5519AX-E01	ARP-5521AX-E01	ARP-5542AX-E01
L	368.5mm/14.51inch	403.3mm/15.88inch	452.1mm/17.80inch	532.0mm/20.94inch	1089.0mm/42.87inch
W	299.8mm/11.80inch	341.8mm/13.46inch	370.8mm/14.60inch	329.8mm/12.98inch	682.0mm/26.85inch
D	104.0mm/4.09inch	110.8mm/4.36inch	111.8mm/4.40inch	93.7mm/3.69inch	136.1mm/5.36inch
L1	319.4mm/12.57inch	319.4mm/12.57inch	319.4mm/12.57inch	431.0mm/16.97inch	450.0mm/17.72inch
W1	42.6mm/1.68inch	63.7mm/2.51inch	78.2mm/3.08inch	57.7mm/2.27inch	116.2mm/4.57inch
W2	207.4mm/8.17inch	207.4mm/8.17inch	207.4mm/8.17inch	207.4mm/8.17inch	449.6mm/17.70inch
D1	89.0mm/3.50inch	95.8mm/3.77inch	96.8mm/3.81inch	78.7mm/3.10inch	121.1mm/4.77inch

Chapter 3 Connections

This section describes connections/connectors available on the ARP-5500AX-E01 Series waterproof industrial panel computer.



Warning! Make sure your computer is grounded at all times, it should be on the same ground as any other equipment connected to its communication ports.



Connectors are located at the bottom of ARP-5500AX-E01 Series industrial computer

Mounting the computer

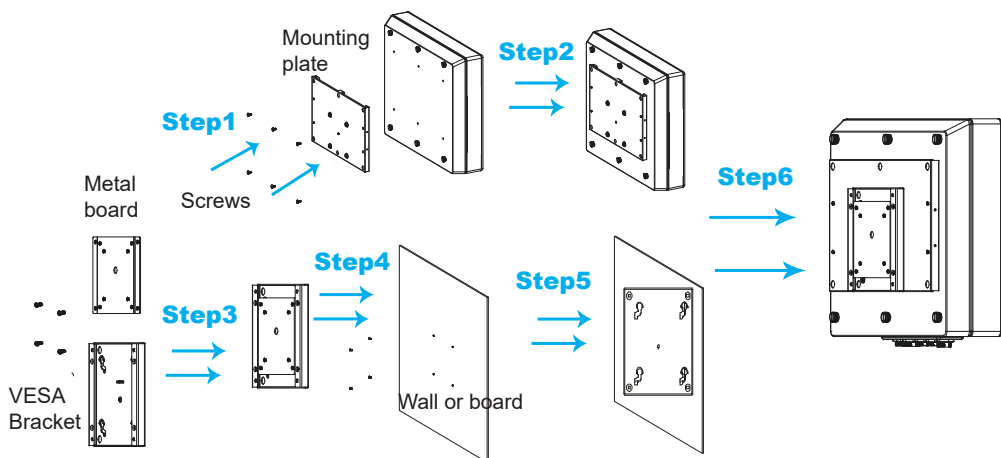
This section outlines how to mount the ARP-5500AX-E01 Series waterproof industrial panel computer. There are five methods available: VESA Mounting, Wall Mounting, Benchtop Stand Mounting, Pedestal Mounting and Ceiling Mounting. Users may choose any of the five mounting methods to suit their needs.

1. VESA Mounting

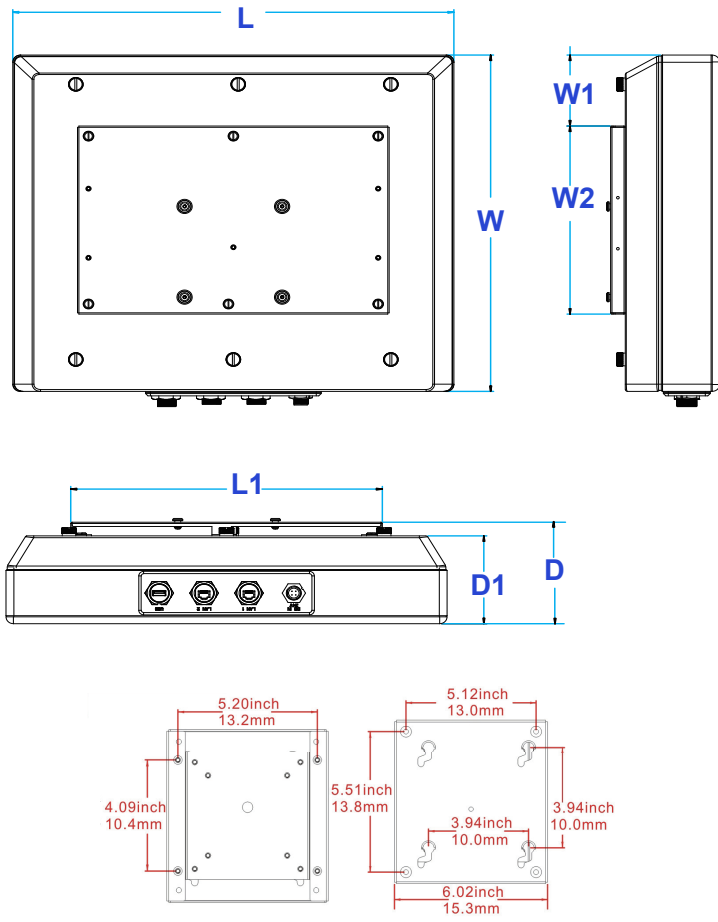
“VESA FDMI Standard” stands for Video Electronics Standards Association Flat Display Mounting Interface Standard. The ARP-5500AX-E01 Series waterproof industrial panel computer needs to be mounted on a VESA-compliant arm or bracket. And holes are pre-drilled on the back of it.

As shown in the figure below, please follow these steps to mount the computer.

- **Step 1:** Place the metal mounting plate on the back of the ARP-5500AX-E01 Series waterproof industrial panel computer, and align holes on the mounting plate with holes on the computer.
- **Step 2:** Use a screwdriver to tighten the six “#8-32UNC” sized screws to fix the metal mounting plate on the computer (Generally, the metal mounting plate is pre-installed on the back of the ARP-5500AX-E01 Series waterproof industrial panel computer.).
- **Step 3:** Place the metal board on the VESA bracket, and tightly bolt four screws to the VESA bracket and metal board.
- **Step 4:** Place the VESA bracket with the metal board on the wall or board, and align holes on the VESA bracket with holes on the wall or board.
- **Step 5:** Use a screwdriver to tighten screws and fix the VESA bracket on the wall or board.
- **Step 6:** Mount the display onto the wall or board through the metal mounting plate and VESA bracket. Ensure that the computer is securely situated onto the wall or board.



Physical dimensions for VESA mounting

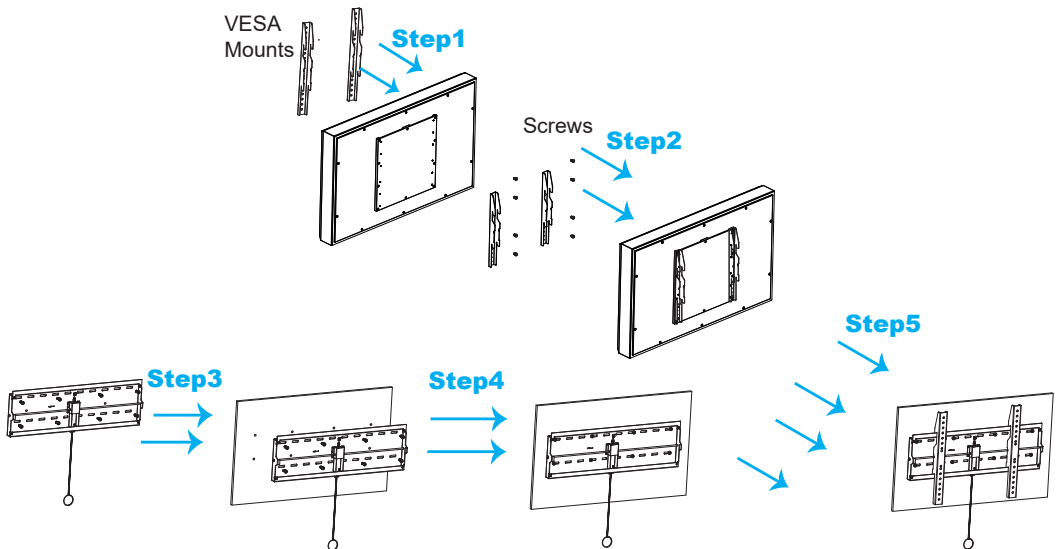


	ARP-5515AX-E01	ARP-5517AX-E01	ARP-5519AX-E01	ARP-5521AX-E01
L	368.5mm/14.51inch	403.3mm/15.88inch	452.1mm/17.80inch	532.0mm/20.94inch
W	299.8mm/11.80inch	341.8mm/13.46inch	370.8mm/14.60inch	329.8mm/12.98inch
D	104.0mm/4.09inch	110.8mm/4.36inch	111.8mm/4.40inch	93.7mm/3.69inch
L1	319.4mm/12.57inch	319.4mm/12.57inch	319.4mm/12.57inch	431.0mm/16.97inch
W1	42.6mm/1.68inch	63.7mm/2.51inch	78.2mm/3.08inch	57.7mm/2.27inch
W2	207.4mm/8.17inch	207.4mm/8.17inch	207.4mm/8.17inch	207.4mm/8.17inch
D1	89.0mm/3.50inch	95.8mm/3.77inch	96.8mm/3.81inch	78.7mm/3.10inch

VESA Mounting for ARP-5542AX-E01 only

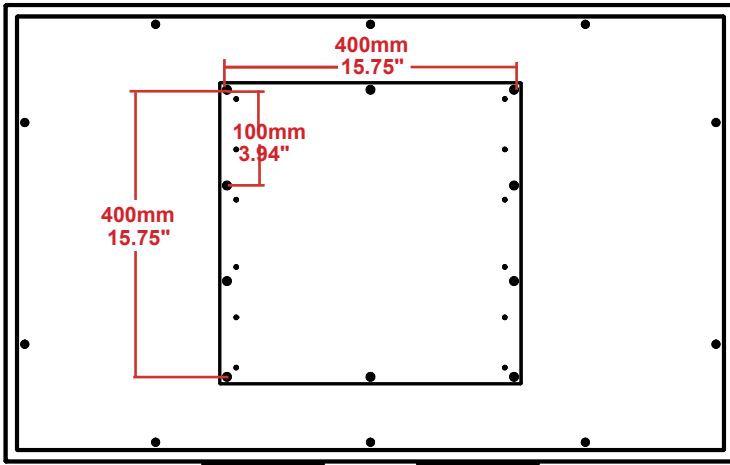
As shown in the figure below, please follow these steps to mount the display.

- **Step 1:** Place two VESA mounts on the back of the ARP-5542AX-E01 Series waterproof industrial panel computer, and align holes on VESA mounts with the holes on the display.
- **Step 2:** Use a screwdriver to tighten the eight "M8" sized screws to fix the VESA mounts on the industrial panel computer.
- **Step 3:** Place one wall bracket on the wall or board, and align holes on the bracket with holes on the wall or board.
- **Step 4:** Use a screwdriver to tighten screws and fix the wall bracket on the wall or board.
- **Step 5:** Mount the ARP-5542AX-E01 industrial panel computer onto the wall or board through the VESA mount and wall bracket.



2. VESA mounting

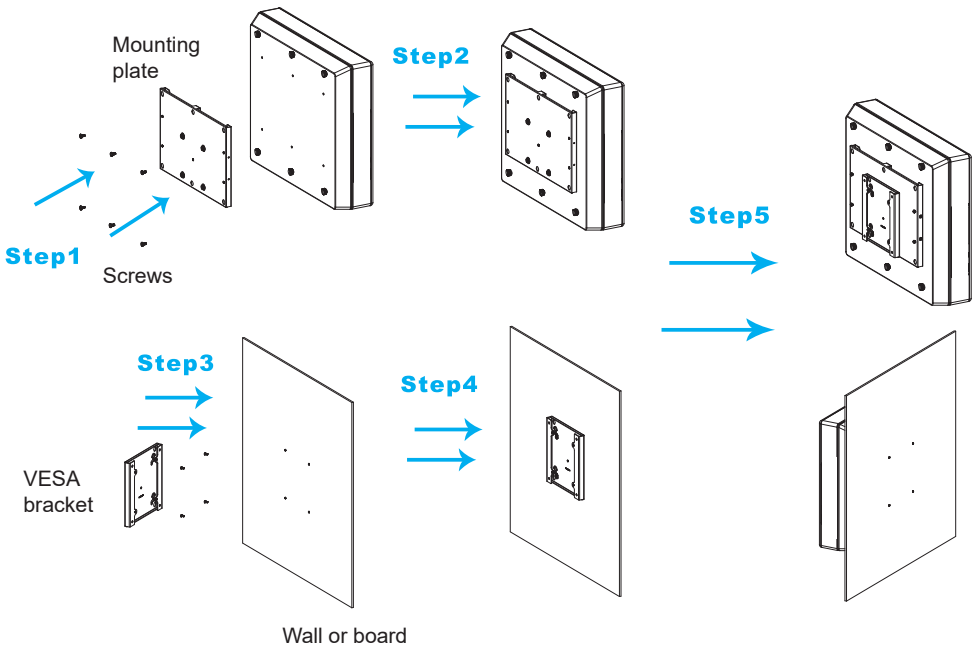
Model Number	Mounting
ARP-5542BP-AX	100 x 400mm/3.94 x 15.75 inch



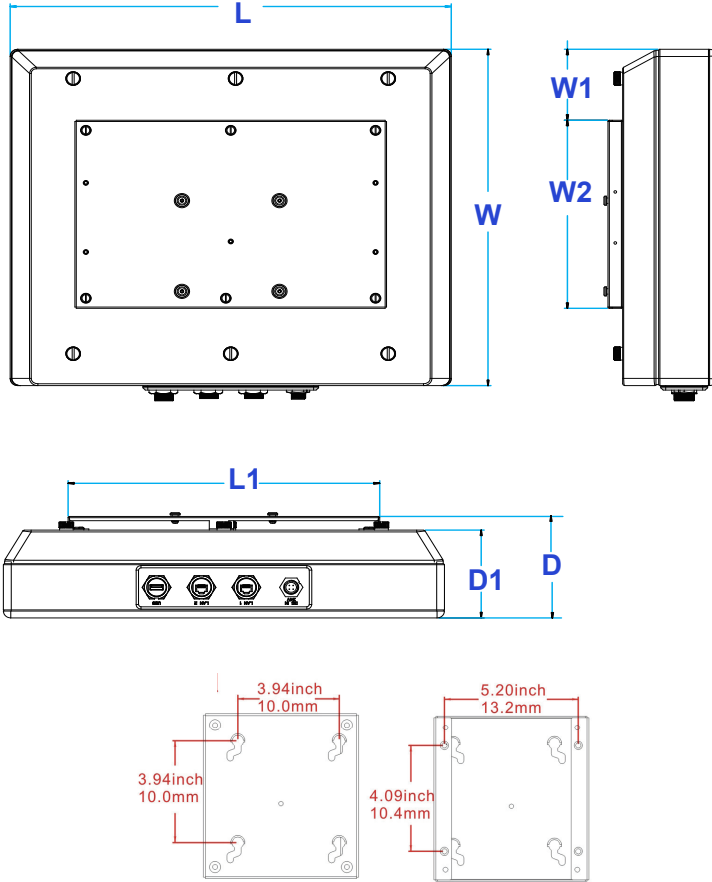
2. Wall mounting

As shown in the figure below, please follow these steps to mount the computer.

- **Step 1:** Place the metal mounting plate on the back of the ARP-5500AX-E01 Series waterproof industrial panel computer, and align holes on the mounting plate with holes on the computer.
- **Step 2:** Use a screwdriver to tighten the six “#8-32UNC” sized screws to fix the metal mounting plate on the computer (Generally, the metal mounting plate is pre-installed on the back of the ARP-5500AX-E01 Series waterproof industrial panel computer.).
- **Step 3:** Place the VESA bracket on the wall or board, and align holes on the VESA bracket with holes on the wall or board.
- **Step 4:** Use a screwdriver to tighten screws to fix the VESA bracket onto the wall or board.
- **Step 5:** Mount the computer onto the wall or board through the mounting plate and VESA bracket. Visually inspect the computer to be sure that it is properly and securely situated onto the wall or board.



Physical dimensions for Wall mounting



	ARP-5515AX-E01	ARP-5517AX-E01	ARP-5519AX-E01	ARP-5521AX-E01
L	368.5mm/14.51inch	403.3mm/15.88inch	452.1mm/17.80inch	532.0mm/20.94inch
W	299.8mm/11.80inch	341.8mm/13.46inch	370.8mm/14.60inch	329.8mm/12.98inch
D	104.0mm/4.09inch	110.8mm/4.36inch	111.8mm/4.40inch	93.7mm/3.69inch
L1	319.4mm/12.57inch	319.4mm/12.57inch	319.4mm/12.57inch	431.0mm/16.97inch
W1	42.6mm/1.68inch	63.7mm/2.51inch	78.2mm/3.08inch	57.7mm/2.27inch
W2	207.4mm/8.17inch	207.4mm/8.17inch	207.4mm/8.17inch	207.4mm/8.17inch
D1	89.0mm/3.50inch	95.8mm/3.77inch	96.8mm/3.81inch	78.7mm/3.10inch

3. Benchtop stand mounting

The ARP-5500AX-E01 Series waterproof industrial panel computer can be placed on a table or bench by mounting it onto the metal benchtop stand. To mount it onto the benchtop stand, you will require mounting screws found in the accessory box.

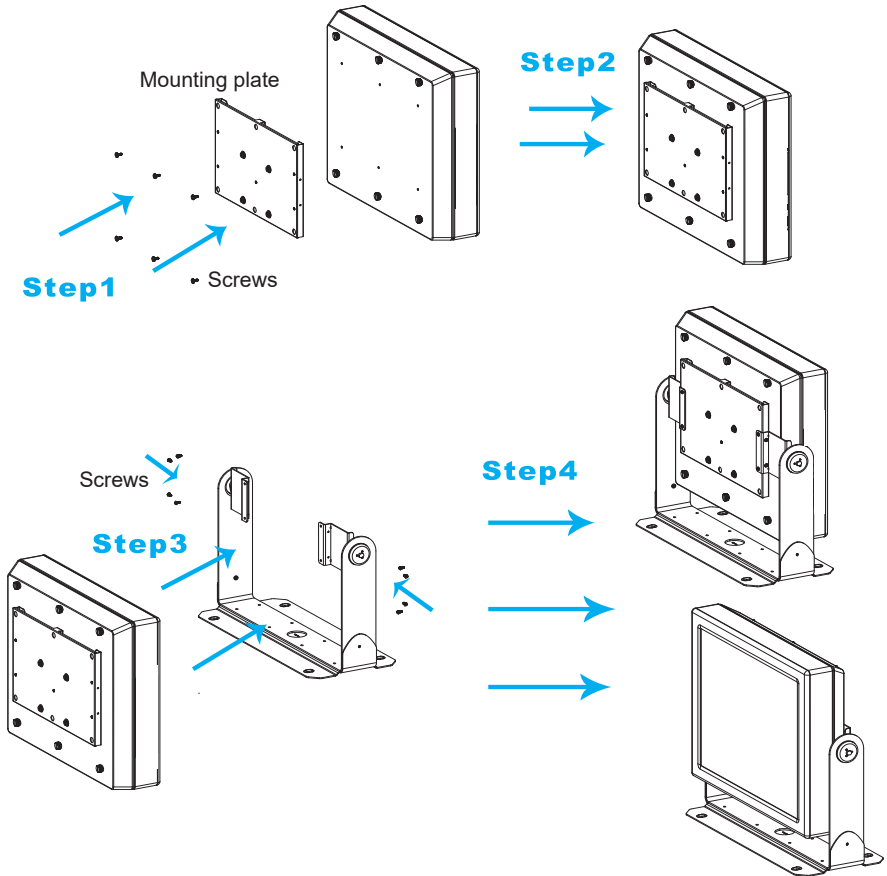
As shown in the figure below, please follow these steps to mount the computer.

Step 1: Place the metal mounting plate on the back of the ARP-5500AX-E01 Series waterproof industrial panel computer, and align holes on the mounting plate with holes on the computer.

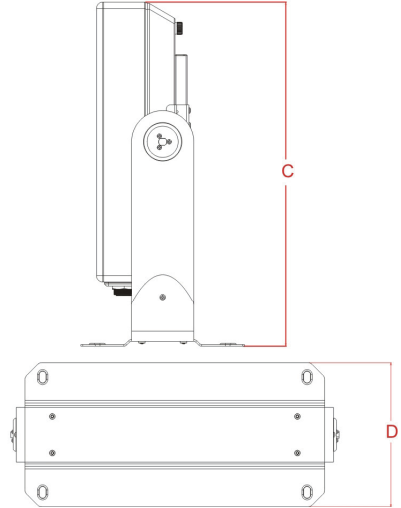
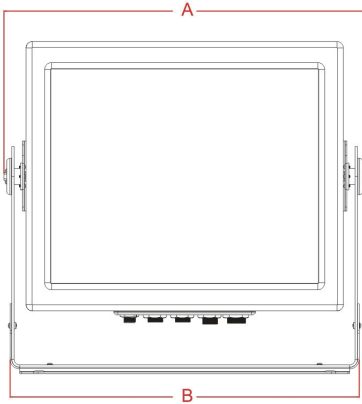
Step 2: Use a screwdriver to tighten the six “#8-32UNC” sized screws to fix the metal mounting plate on the computer.

Step 3: Take the metal benchtop stand, and situate the computer into the benchtop stand. Align holes on the side of the mounting plate with holes on the benchtop stand.

Step 4: Use a screwdriver to bolt the “#8-32UNC” sized screws to the mounting plate and benchtop stand. Make sure the computer is firmly secured on the benchtop stand.



Physical dimensions for Benchtop Stand mounting



	ARP-5515AX-E01	ARP-5517AX-E01	ARP-5519AX-E01	ARP-5521AX-E01
A	4.09 inch / 103.9 mm	4.36 inch / 110.7 mm	4.4 inch / 111.8 mm	4.66 inch / 118.4 mm
B	14.51 inch / 368.6 mm	15.88 inch / 403.4 mm	17.8 inch / 452.1 mm	22.18 inch / 563.4 mm
C	12.42 inch / 315.5 mm	14.07 inch / 357.4 mm	15.19 inch / 385.8 mm	14.06 inch / 357.2 mm

4. Pedestal Mounting

The ARP-5500AX-E01 Series waterproof industrial panel computer can be mounted on the pedestal. In general, the pedestal comes with a removable shaft or bracket, which allows the computer to be easily operated.

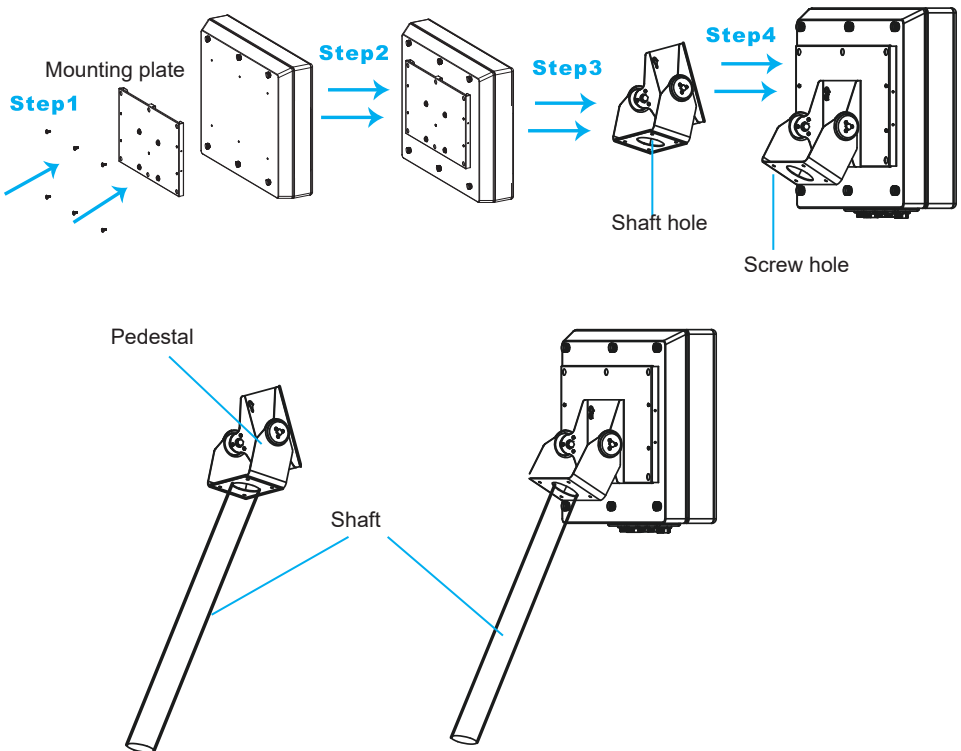
As shown in the figure below, please follow these steps to mount the computer.

Step 1: Place the metal mounting plate on the back of the ARP-5500AX-E01 Series waterproof industrial panel computer, and align holes on the mounting plate with holes on the computer.

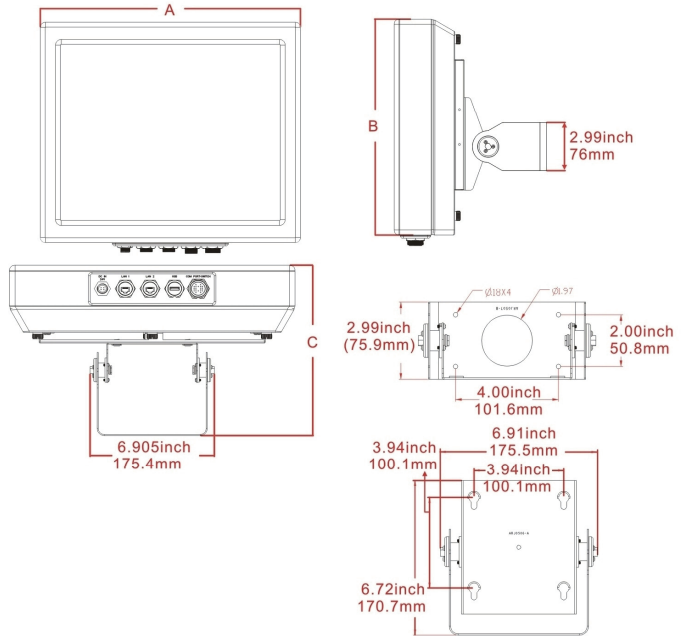
Step 2: Use a screwdriver to tighten the six “#8-32UNC” sized screws to fix the metal mounting plate on the computer.

Step 3: Take the pedestal and fit on a firmly fixed shaft or bracket through the shaft hole or screw hole. Mount the computer onto the pedestal through the mounting plate.

Step 4: Make sure the ARP-5500AX-E01 Series waterproof industrial panel computer is securely and correctly seated onto the pedestal.



Physical dimension for Pedestal mounting



	ARP-5515AX-E01	ARP-5517AX-E01	ARP-5519AX-E01	ARP-5521AX-E01
A	4.09 inch / 103.9 mm	4.36 inch / 110.7 mm	4.4 inch / 111.8 mm	4.66 inch / 118.4 mm
B	14.51 inch / 368.6 mm	15.88 inch / 403.4 mm	17.8 inch / 452.1 mm	22.18 inch / 563.4 mm
C	12.42 inch / 315.5 mm	14.07 inch / 357.4 mm	15.19 inch / 385.8 mm	14.06 inch / 357.2 mm

5. Ceiling Mounting

If required, the ARP-5500AX-E01 Series waterproof industrial panel computer can be also suspended from the ceiling.

As shown in the figure below, please follow these steps to mount the computer.

Step 1: Place the metal mounting plate on the back of the ARP-5500AX-E01 Series waterproof industrial panel computer, and align holes on the mounting plate with holes on the computer.

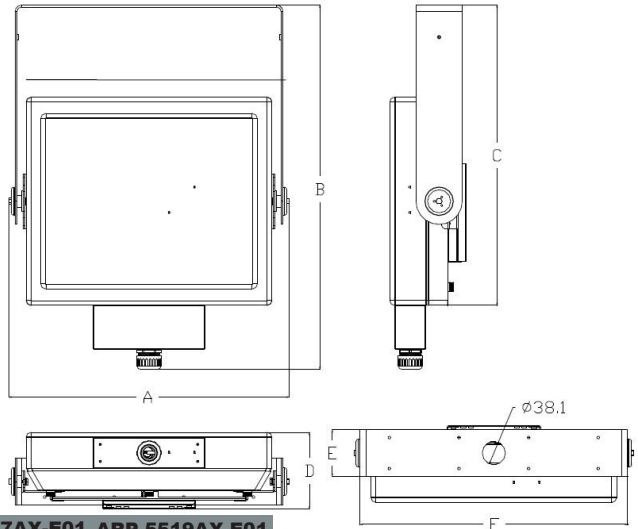
Step 2: Use a screwdriver to tighten the six “#8-32UNC” sized screws to fix the metal mounting plate on the computer.

Step 3: Situate the metal support bracket for ceiling mounting onto the ceiling and bolt the eight screws to it to firmly secure the bracket on the ceiling.

Step 4: Take the computer and align holes on the side of the mounting plate with holes on the metal support bracket for ceiling mounting.

Step5: Use a screwdriver to bolt the “#8-32UNC” sized screws to the mounting plate and metal support bracket. Make sure the computer is securely and properly situated onto the metal support bracket.

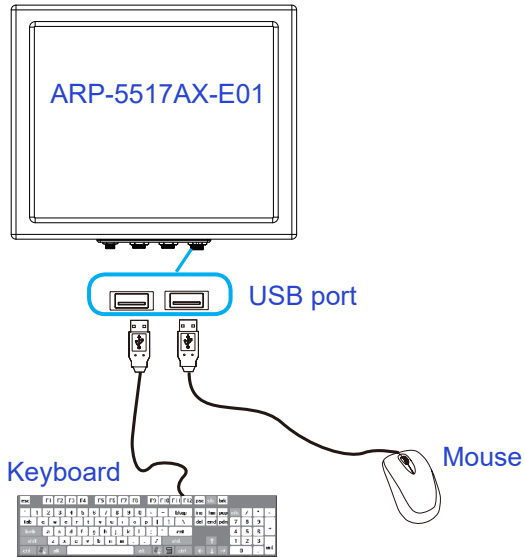
Physical dimensions for Ceiling mounting



	ARP-5515AX-E01	ARP-5517AX-E01	ARP-5519AX-E01
A	16.79inch/426.4mm	18.09inch/459.4mm	19.86inch/504.4mm
B	15.30inch/388.55mm	16.92inch/429.65mm	18.05inch/458.55mm
C	14.64inch/371.8mm	16.26inch/412.9mm	17.39inch/441.8mm
D	4.41inch/112.0mm	4.68inch/118.8mm	4.72inch/119.8mm
E	2.99inch/7.6mm	2.99inch/7.6mm	2.99inch/7.6mm
F	16inch/40.64mm	173inch/43.9mm	19.07inch/48.4mm

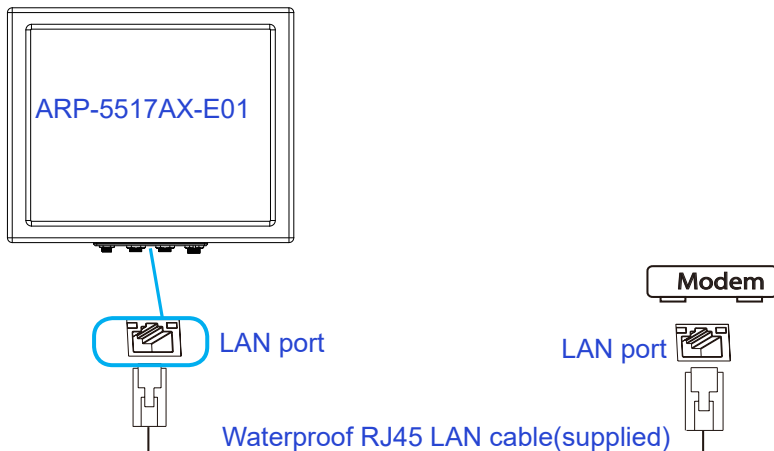
Connecting to keyboard and mouse

- Insert a USB keyboard and a USB mouse(not supplied) to ARP-5500AX-E01 Series waterproof industrial panel computer for controlling on the computer.



Connecting to network

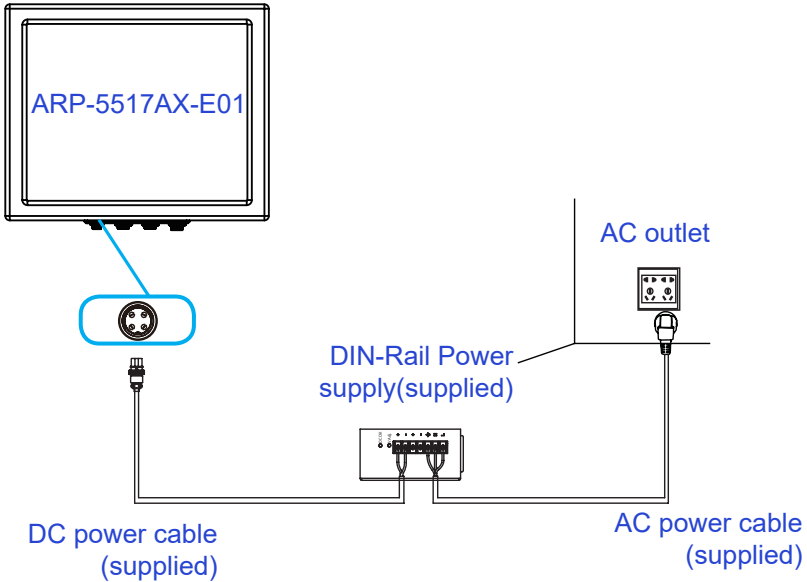
- Connect one end of the RJ45 LAN cable to the LAN port of the ARP-5500AX-E01 Series waterproof industrial panel computer. Connect the other end of the RJ45 LAN cable to the LAN port of a modem.



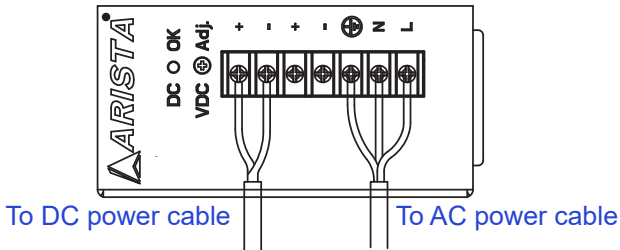
Connecting the power supply

Follow the steps below to connect the power supply.

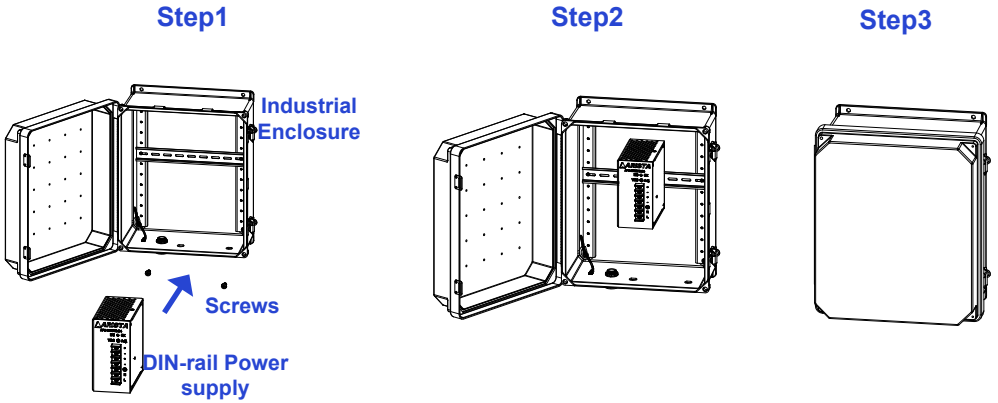
- Connect one end of the 150W DIN-Rail AC/DC power supply to the DC-in(24V) power connector of the ARP-5500AX-E01 Series waterproof industrial panel computer. Connect the other end of 150W DIN-Rail AC/DC power supply to an AC outlet.



Important: Before you use the power supply, please correctly and securely connect the supplied AC power cable to the terminal of "L"(for live wire), "N"(for neutral wire) and "⊕"(Ground) on the power supply, and connect the supplied DC power cable to the "+"(Power) and "-"(Ground) terminals.

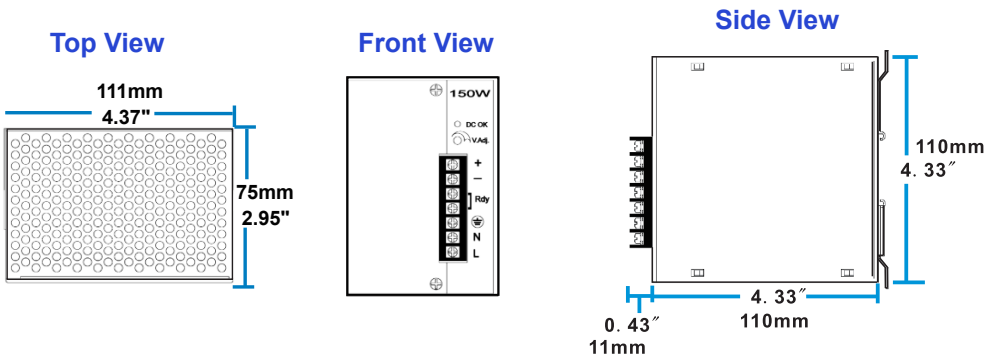


The AC to DC 24V power supply provided with the ARP-5500AX-E01 Series waterproof industrial panel computer does not have environmental protection. In order to meet a degree of protection, the power supply has to be installed in a specific IP rating enclosure.



In order to correctly install the power supply, the specific dimensions for the power supply are indicated in the diagram below.

150W DIN-rail power supply



Chapter 4 Driver installation

This chapter provides information on driver installation for ARP-5500AX-E01 Series waterproof industrial panel computer.

All driver softwares for ARP-5500AX-E01 Series can be downloaded from https://www.goarista.com/products/industrial_panel_pcs/waterproof.php (Click on product model name, then click Download and select the desired driver software.).

Subsequent to this process, the install menu appears automatically.

Chipset Device Driver

This section describes the Intel chipset device driver installation procedures.

Follow these steps:

1. Click the icon for Intel chipset device software pre-downloaded from Arista Corporation Website to initiate the installation process.
2. Click **Next** to Continue.



3. Read the license agreement and click **Yes** to continue.



4. Click **Next**. This displays the readme file with regards to the system requirements and installation information.



5. Click **Next** to continue.



6. Click **Finish** to complete the setup.



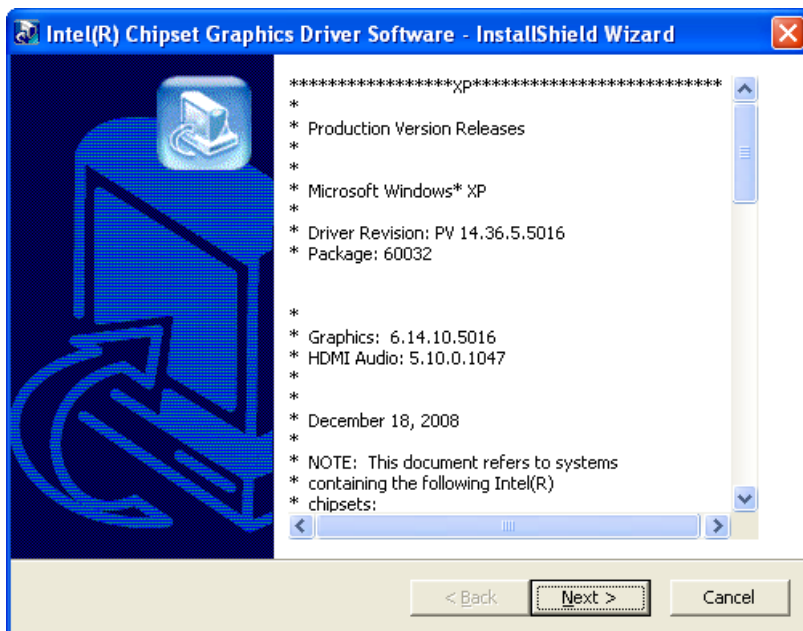
Display Driver

This section describes the Intel graphic media accelerator driver(Display driver software) installation procedures.

Follow these steps:

1.Click the icon for Intel Graphic Media Accelerator Driver software pre-downloaded from Arista Corporation Website to initiate the installation process.

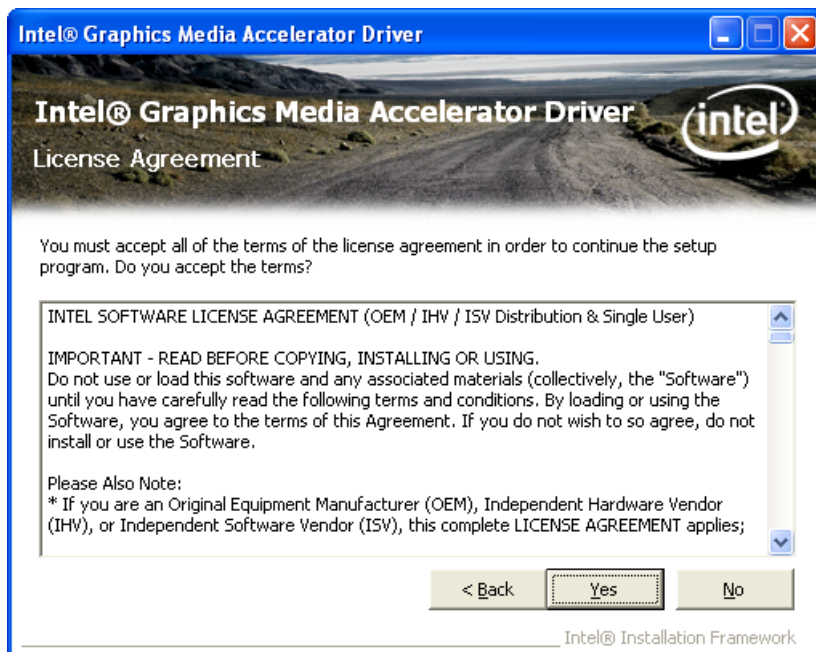
2.Click **Next**. The Intel® Chipset Graphics Driver Software – InstallShield Wizard dialog box appears.



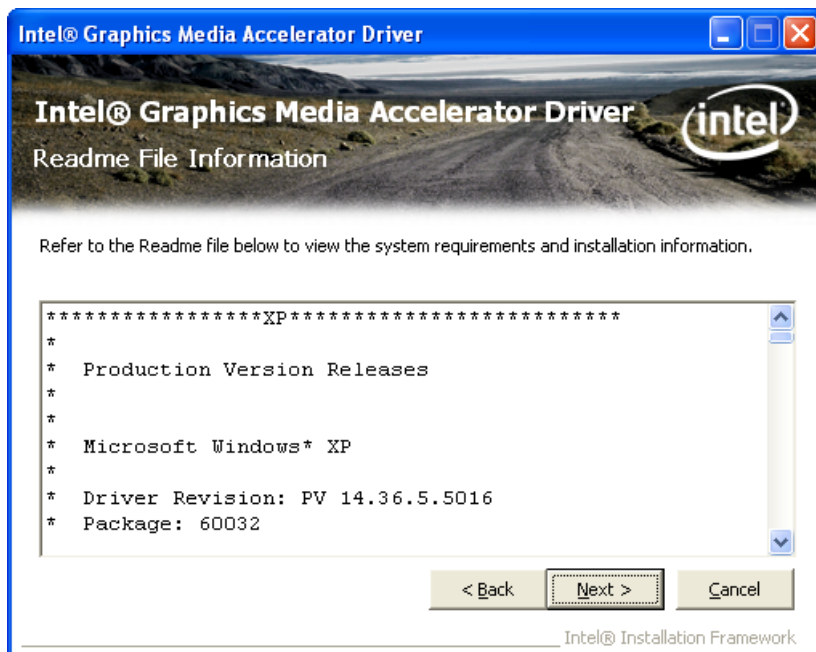
3. Click **Next**. This displays the setup program information.



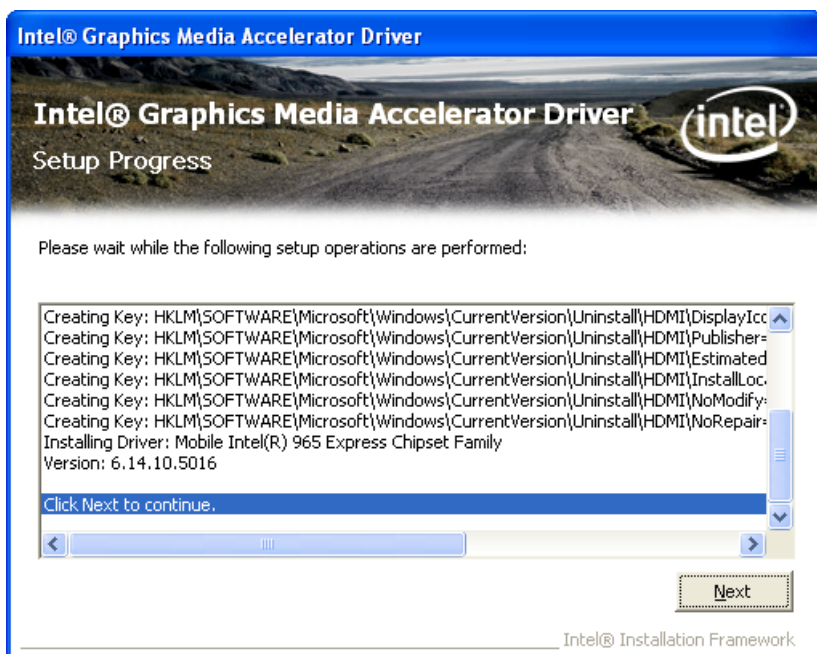
4. Click **Next**, read the license agreement and click **Yes** to continue.



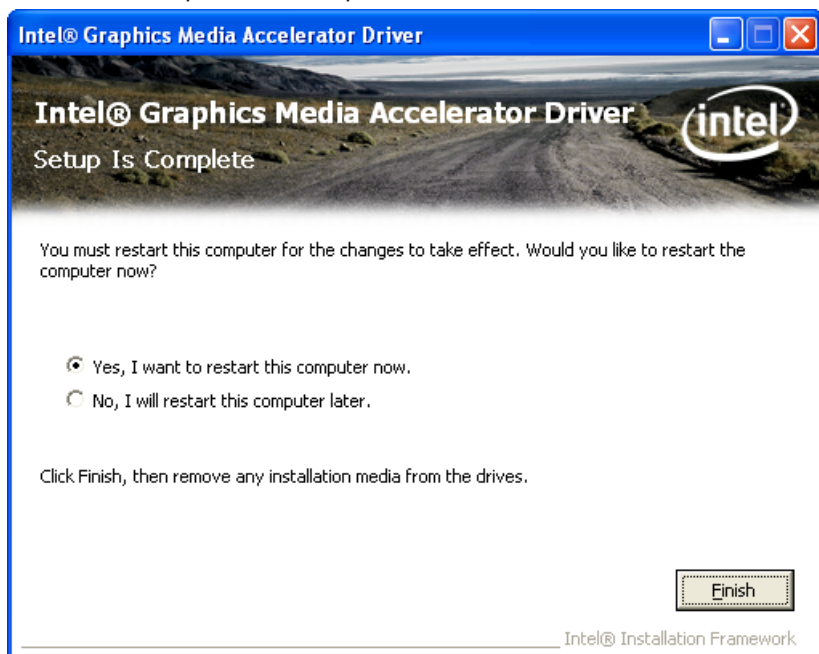
5. Click **Next**. This displays the readme file details, such as system requirements and installation information.



6. Click **Next** to continue.



7. Click **Finish** to complete the setup.

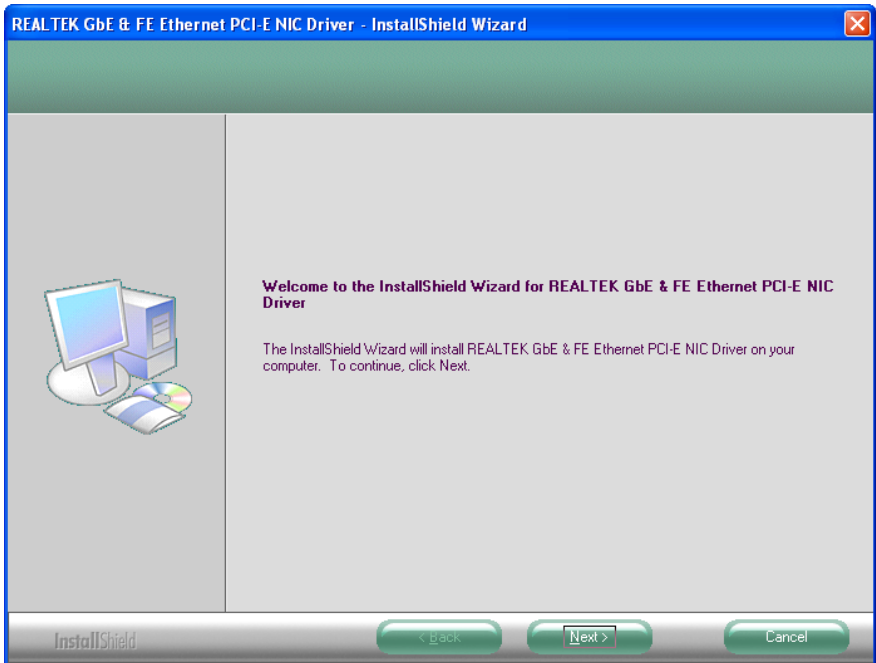


LAN Driver

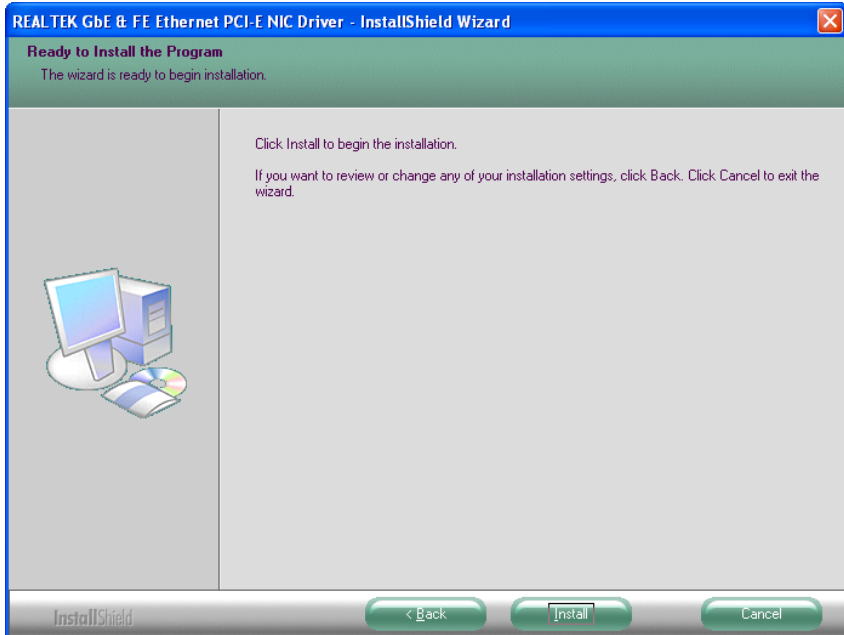
This section describes the LAN driver installation procedures.

Follow these steps:

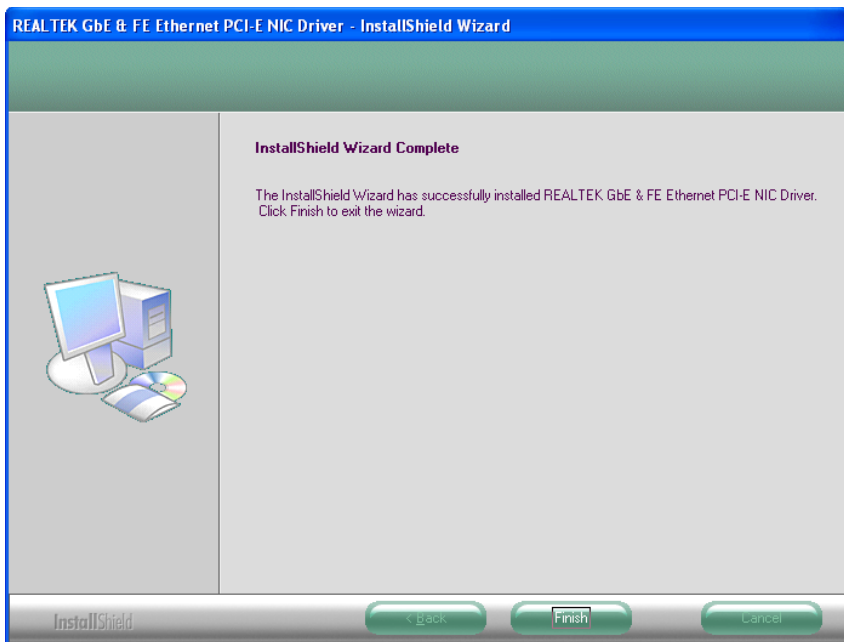
1. Click the icon for LAN driver software pre-downloaded from Arista Corporation Website to initiate the installation process.
2. Click **Next** to continue.



3. Click **Install** to proceed with the installation.



4. Click **Finish** to complete the setup.



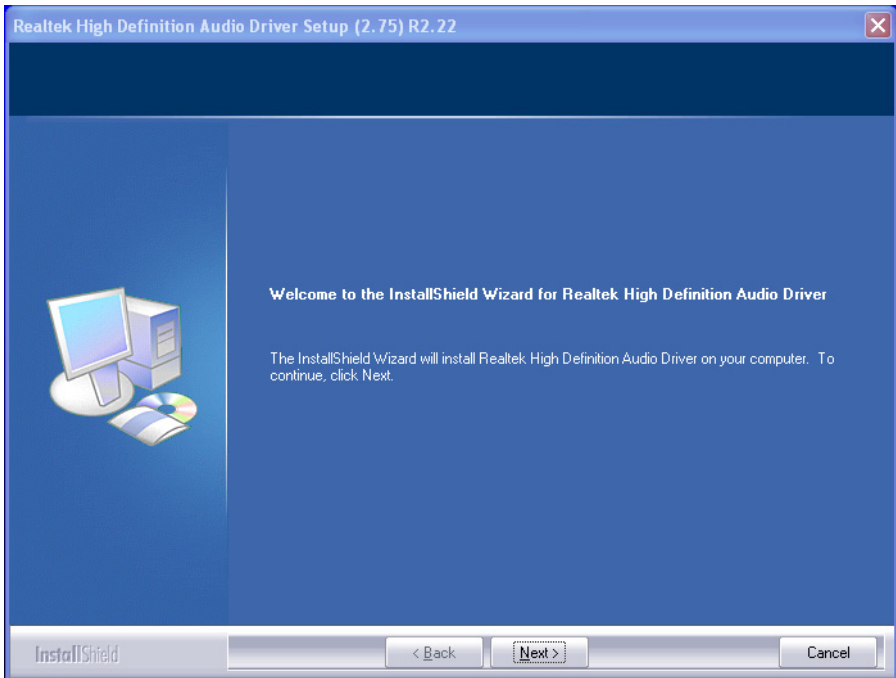
Audio Driver

This section describes the audio driver installation procedures.

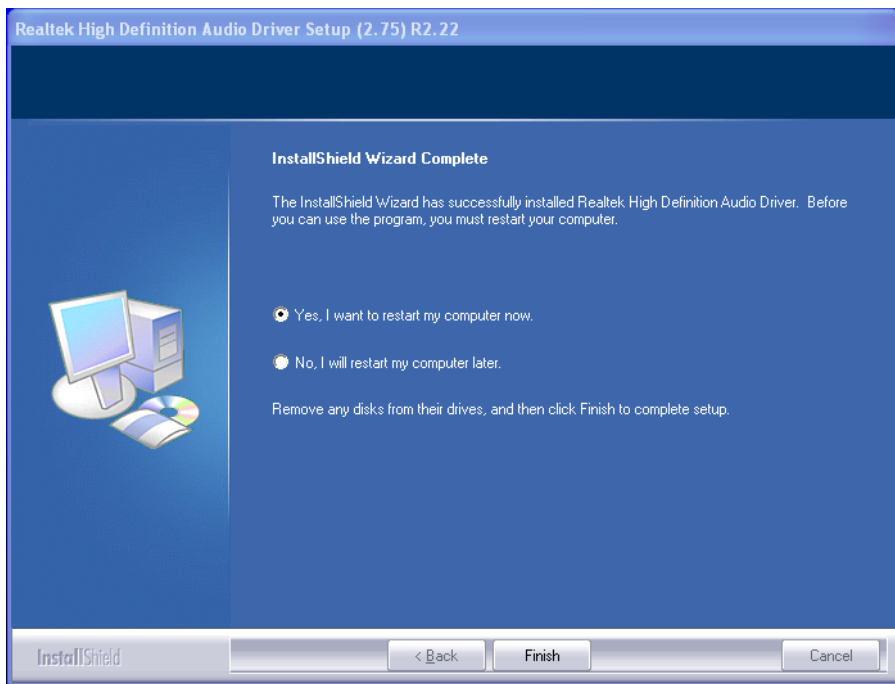
Follow these steps:

1. Click the icon for Audio driver software pre-downloaded from Arista Corporation Website to initiate the installation process.

2. Click **Next**, the InstallShield Wizard installs Realtek High Definition Audio Driver on your PC.



3. Click **Finish** to complete the setup.

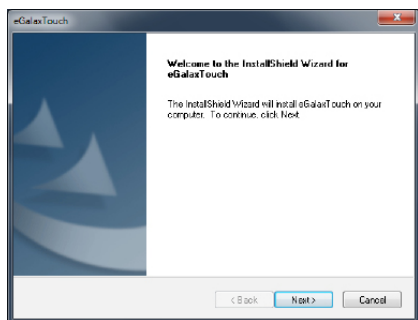
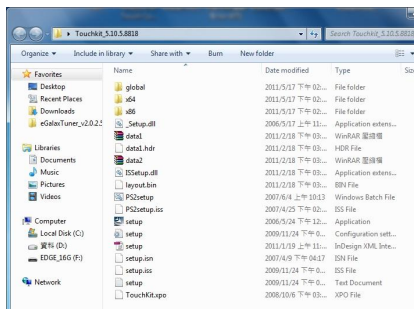


Chapter 5 Settings

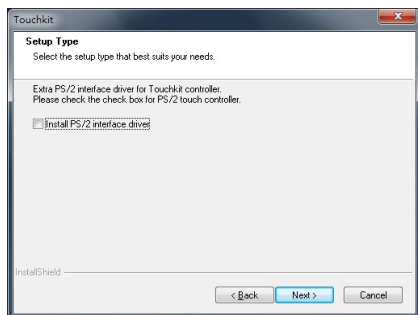
Installing the eGalaxTouch Utility

From www.goarista.com, download and install the eGalax touch driver software by following the steps below.

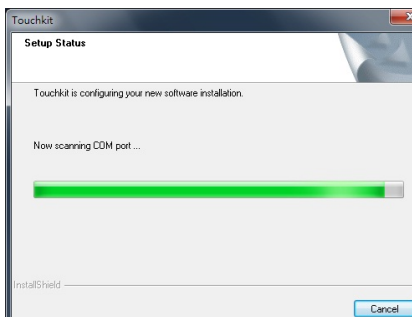
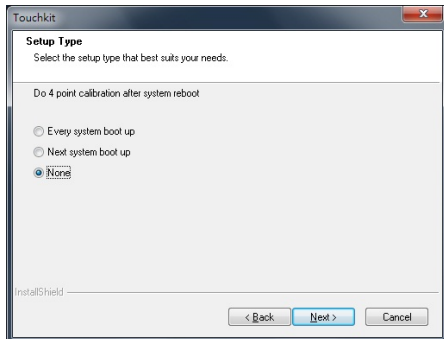
1. Double click “setup” to start the installation of the eGalaxTouch software.



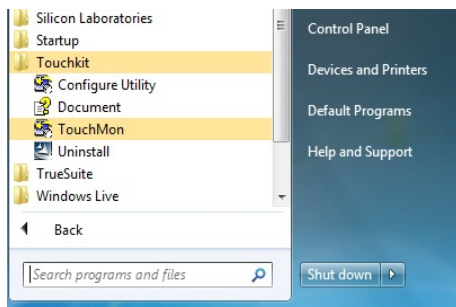
2. Press Next, and a new dialog window will pop up asking if the user wants to install PS/2 touch drivers.



3. Click “next” and follow the on-screen instructions to continue the installation.



4. Finally, restart the computer to finish the installation. A shortcut will be generated and shown on the desktop. A new file group will also be generated for eGalaxTouch.

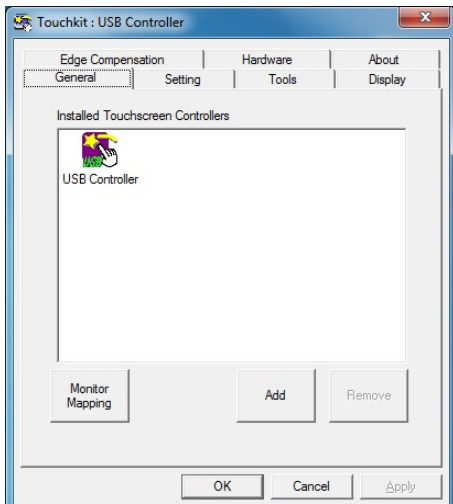


Using the eGalaxTouch Utility

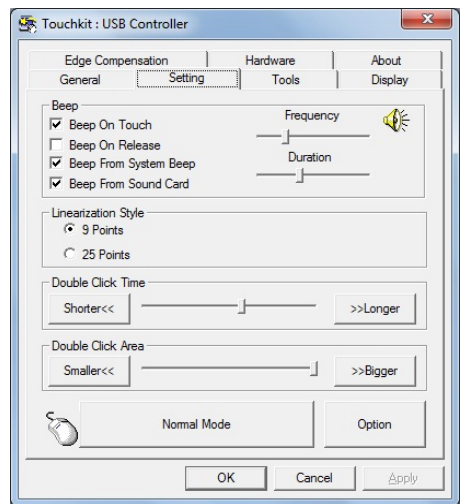
There are seven property tabs in the eGalaxTouch utility window: General, Setting, Tools, Display, Edge Compensation, Hardware and About. Each tab contains different functions for users to adjust to their preferences. Users can easily manage all the eGalaxTouch controller settings through this utility window.

Click on a tab to see its settings. Press "Apply" to confirm settings and press "OK" to save and close the dialog window. Press "Cancel" if no adjustments are needed.

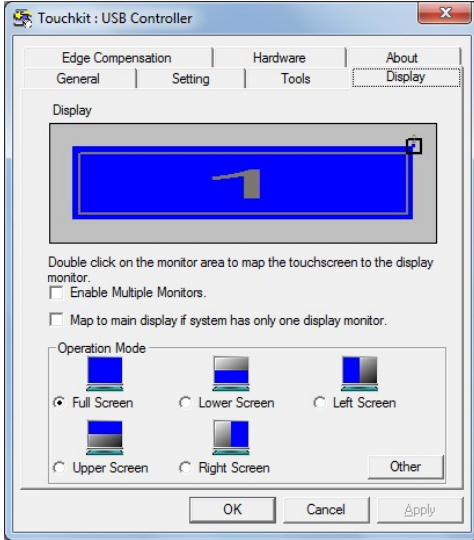
1. General Tab



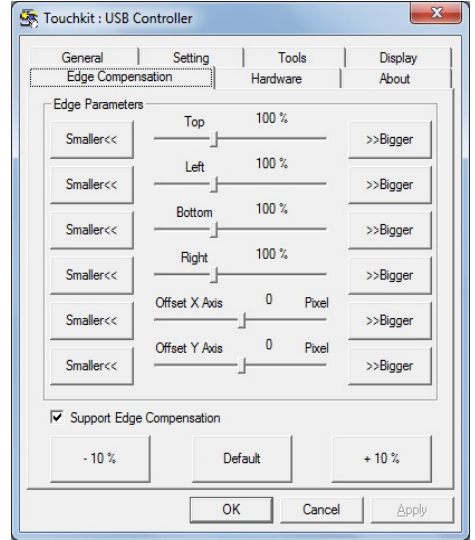
2. Setting Tab



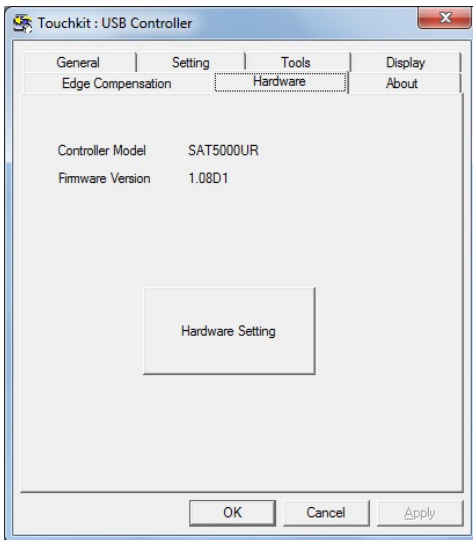
3. Display Tab



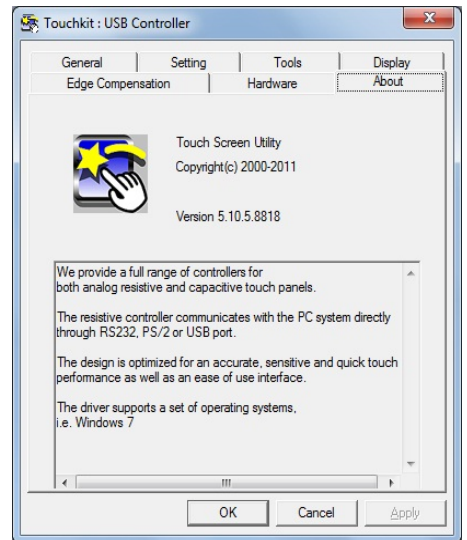
4. Edge Compensation Tab



5. Hardware Tab



6. About Tab



Chapter 6 BIOS Setup

Introduction

The computer uses latest “American Megatrends Inc.” BIOS with support for Windows Plug and Play. The CMOS chip on the motherboard contains the ROM setup instructions for configuring the built-in motherboard BIOS.

The BIOS (Basic Input and Output System) Setup Utility displays the system’s configuration status and provides options to set system parameters. The parameters are stored in battery-backed-up CMOS RAM that saves this information when the power is turned off. When the system is turned back on, the system is configured with values you stored in CMOS.

The BIOS Setup Utility enables you to configure:

- Hard drives, diskette drives and peripherals
- Video display type and display options
- Password protection from unauthorized use
- Power Management features

The settings made in the Setup Utility affect how the computer performs. Before using the Setup Utility, ensure that you understand Setup Utility options.

The Standard configuration

A standard configuration has already been set in the Setup Utility. However, we recommend that you read this chapter in case you need to make any changes in the future.

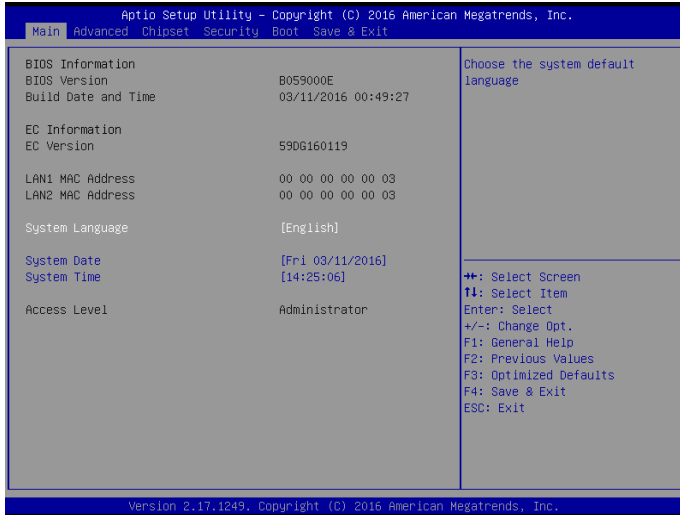
This Setup Utility should be used:

- when changing the system configuration
- when a configuration error is detected and you are prompted to make changes to the Setup Utility
- when trying to resolve IRQ conflicts
- when making changes to the Power Management configuration
- when changing the password or making other changes to the Security Setup

Entering the Setup

When you power on the system, BIOS enters the Power-On Self Test (POST) routines. POST is a series of built-in diagnostics performed by the BIOS. After POST routines are completed, following message appears:

Press the **Delete** key to access BIOS Setup Utility.



Resetting the default CMOS values

When powering on for the first time, the POST screen may show a “CMOS Settings Wrong” message. This standard message will appear following a clear CMOS data at factory by the manufacturer. You simply need to Load Default Settings to reset the default CMOS values.

Note: Changes to system hardware such as different CPU, memories, etc. may also trigger this message.

Using BIOS

When you start the Setup Utility, main menu appears. The main menu of the Setup Utility displays a list of options that are available. A highlight indicates which option is currently selected. Use the cursor arrow keys to move the highlight to other options. When an option is highlighted, execute the option by pressing <Enter>.

Some options lead to pop-up dialog boxes that prompt you to verify that you wish to execute that option. Other options lead to dialog boxes that prompt you for information.

Some options (marked with a triangle ►) lead to submenus that enable you to change values for the option. Use the cursor arrow keys to scroll through the items in the submenu.

In this manual, default values are enclosed in parenthesis. Submenu items are denoted by a triangle ►.



The default BIOS setting for this built-in motherboard apply for most conditions with optimum performance. We do not suggest users change default values in the BIOS setup and take no responsibility to any damage caused by changing BIOS settings.

BIOS navigation keys

The BIOS navigation keys are listed below:

KEY	FUNCTION
ESC	Exits the current menu
→ ← ↑ ↓	Scrolls through items on a menu
+/-	Modifies selected field's values
Enter	Select
F1	General Help
F2	Previous Value
F3	Optimized Defaults
F4	Save & Exit



For the purpose of better product maintenance, the manufacture reserves the right to change the BIOS items presented in this manual. The BIOS setup screens shown in this chapter are for reference only and may slightly differ from what you see on your screen. Please visit the website to download the latest product and BIOS information.

Main Menu

When you enter the BIOS SETUP UTILITY, the Main menu will appear and display the system overview. You can set the system clock in this main menu.



BIOS Information

This item shows the current BIOS information, including BIOS Version, Build date and time.

EC Information

This item shows the current EC information, including EC Version.

LAN1/LAN2 MAC Address

Use this item to view the LAN1/LAN2 Mac address.

System Language

This item allows you to choose the system default language.

System Date

Use this item to specify the system date. Manually enter the day, month and year.

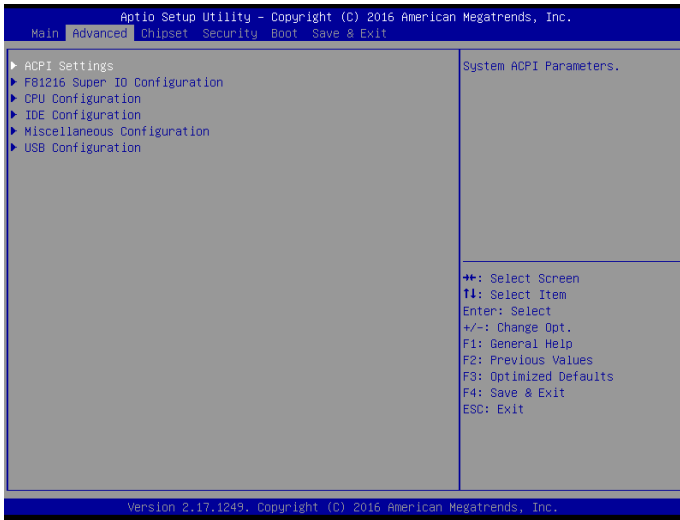
System Time

Use this item to specify the system time. Manually enter the hours, minutes and seconds.

Press <Esc> to return to the Main Menu screen.

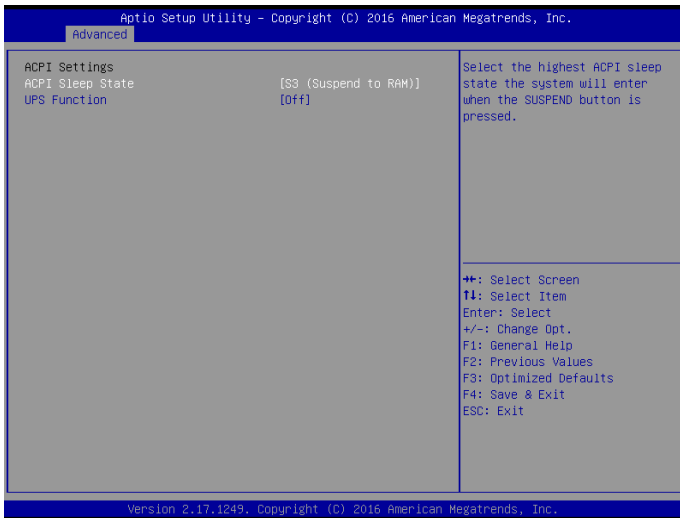
Advanced Menu

Important: Be cautious when changing the setting of advance menu items. Incorrect field values can cause the system to malfunction.



ACPI Settings

Scroll to this item and press <Enter> to view the following screen:



ACPI Sleep State [S3 (Suspend to RAM)]

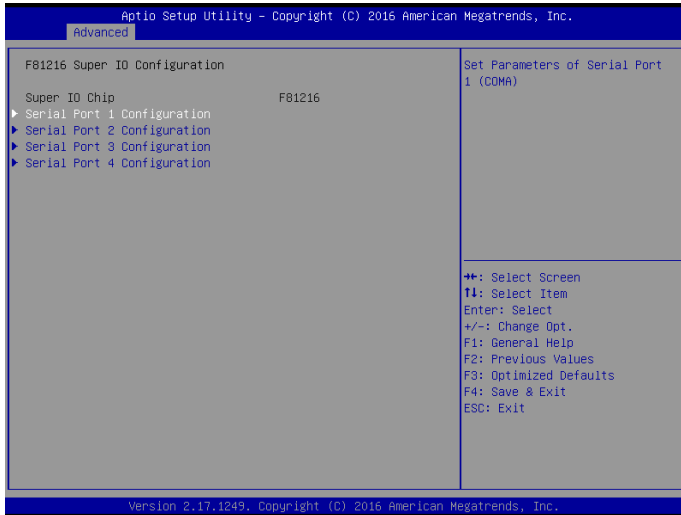
Select the highest ACPI sleep state, the system will resume when the SUSPEND button is pressed.

UPS Function (OFF)

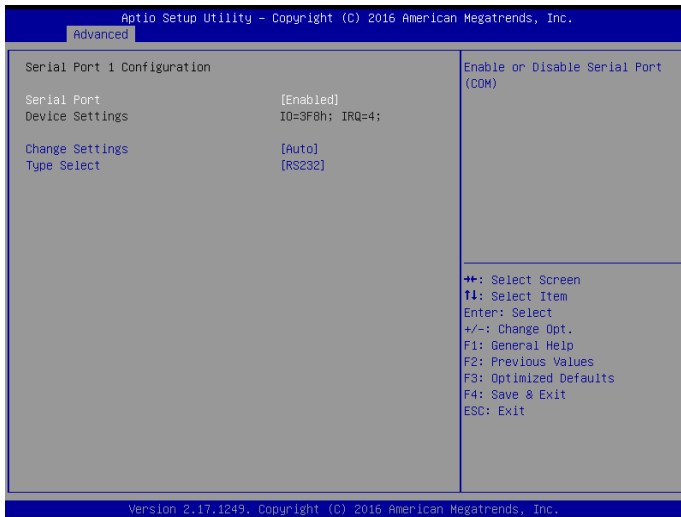
Power on or off the Uninterruptible Power Supply(UPS) system.

FB1216 Super IO Configuration

Scroll to this item and press <Enter> to view the following screen:



Serial Port1/Port2/Port3/Port4 Configuration



Serial port1/port2/port3/port4(Enabled)

Use this option to enable or disable the use of serial ports.

Change settings(Auto)

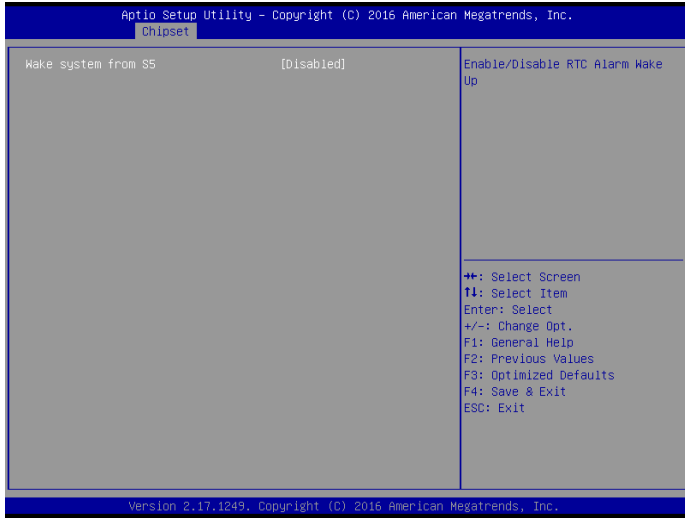
Select an optimal settings for Super IO device.

Type select(RS232)

Select serial port type(RS232,RS422,RS485).

S5 RTC Wake Settings

Scroll to this item and press <Enter> to view the following screen:

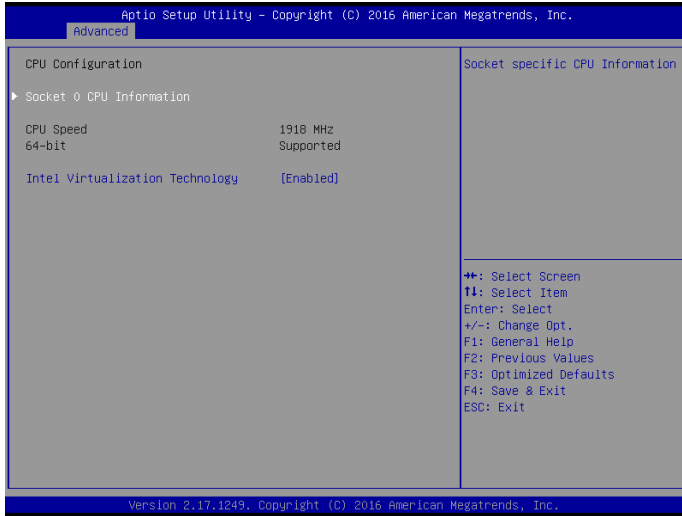


Wake system from S5(Disabled)

Use this item to enable or disable system wake on alarm event. Select Fixed Time. system will wake on the hr::min::sec specified. Select Dynamic Time, system will wake on the current time + Increase minute(s).

CPU Configuration

Scroll to this item and press <Enter> to view the following screen:



Socket 0 CPU information

Use this item to view Socket 0 CPU information.

Intel Virtualization Technology(Enabled)

Most of the time, hardware virtualization technology extensions should be enabled in motherboard BIOS in order to run recent OS and applications. When enabled, a VMM can utilize the additional hardware capabilities provided by Vanderpool Technology.

Press <Esc> to return to the Advanced Menu screen.

IDE Configuration

Scroll to this item and press <Enter> to view the following screen:



SATA Port1~2 dynamically detect whether there are SATA devices on motherboard. If devices are connected with the corresponding ports, then it will display the SATA device type. Otherwise, it will display “Not Present”.

SATA Controllers (Enabled)

Use this option to enable or disable the use of SATA devices.

SATA Mode (AHCI mode)

Use this option to configure SATA devices as normal IDE devices. The options are IDE and AHCI.

SATA Port 0 (Enabled)

Use this item to enable or disable onboard IDE controller. The default value is [Enabled].

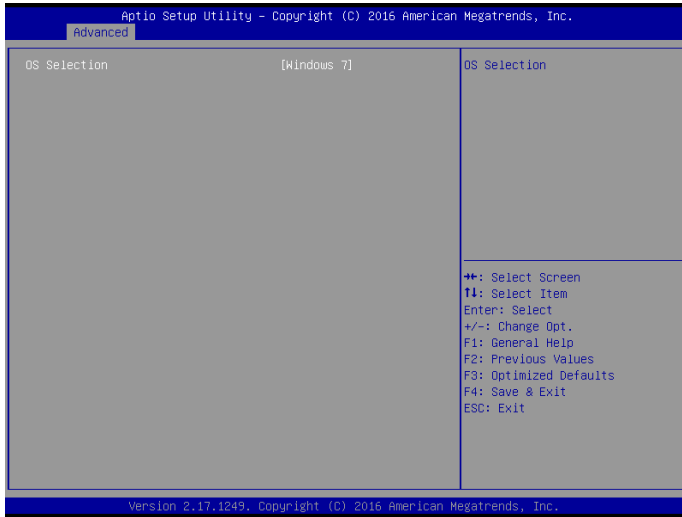
CFast card(Enabled)

Use this item to enable or disable the use of CFast card. The default value is [Enabled].

Press <Esc> to return to the Advanced Menu screen.

Miscellaneous Configuration

Scroll to this item and press <Enter> to view the following screen:



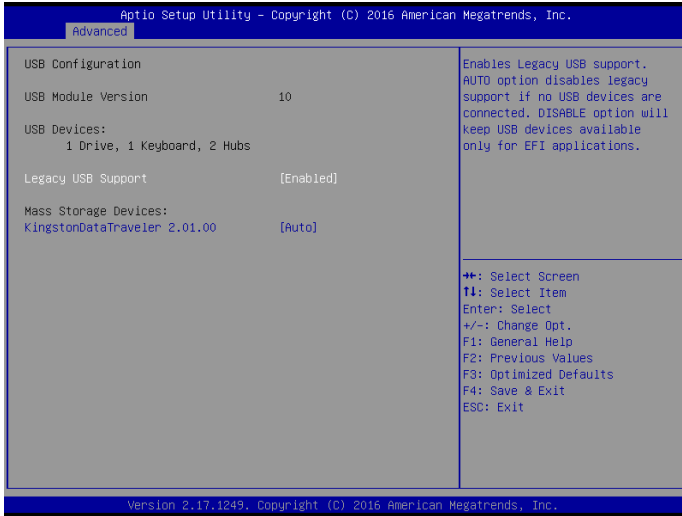
OS selection (Windows 7)

Use this option to select the operating system for the computer.

Press <Esc> to return to the Advanced Menu screen.

USB Configuration

Scroll to this item and press <Enter> to view the following screen:



Legacy USB Support (Enabled)

Use this option to enable USB mouse and USB keyboard support.

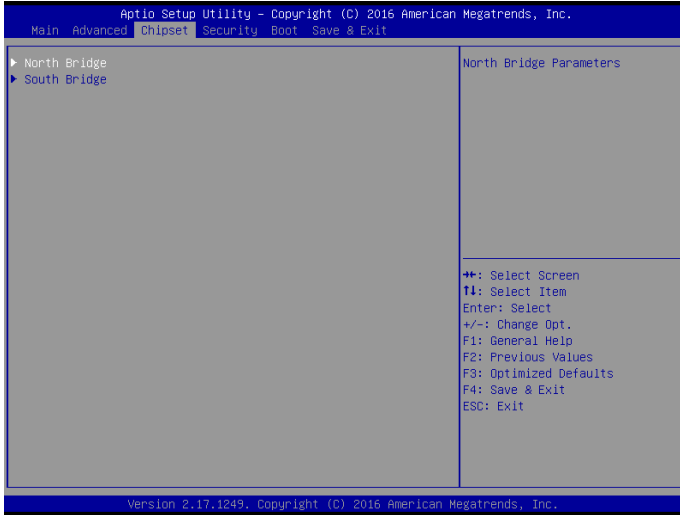
ENABLED option enables legacy USB support.

AUTO option disable legacy support if no USB devices are connected. DISABLED option will keep USB devices available only for EFI applications.

Press <Esc> to return to the Advanced Menu screen.

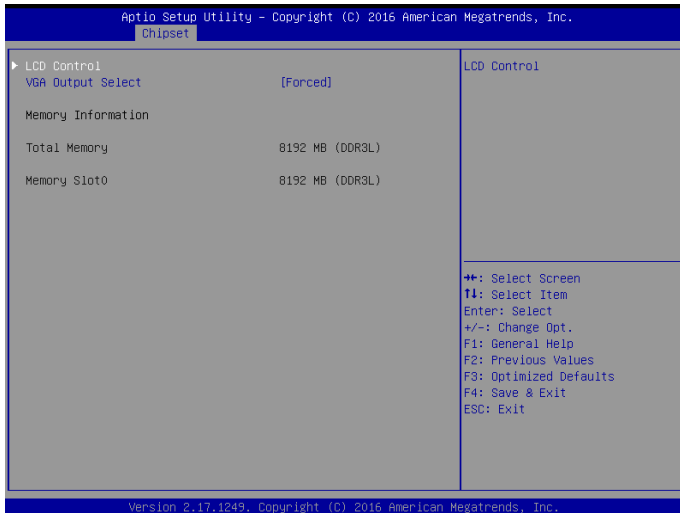
Chipset Menu

The chipset menu is for the Host Bridge chipset, South Bridge chipset and other system. Since features in this section are related to the chipset on the CPU board and are completely optimized, you are not recommended to change default settings in this setup table unless well oriented with chipset features.



North Bridge

Scroll to this item and press <Enter> to view the following screen:



LCD Control

Scroll to this item and press <Enter> to view the following screen:



Primary IGFx Boot display (VBIOS Default)

Select the video device which will be activated during POST. This has no effect if external graphics present. Secondary boot display selection will appear based on your selection. VGA modes will be supported only on primary display.

Secondary IGFx Boot display(LVDS)

Select the secondary IGFx video device.

LCD Panel Type(1920 x 1080 8 bit Dual LVDS)

This option is used to choose the resolution of the Flat Panel.

LVDS(Enabled)

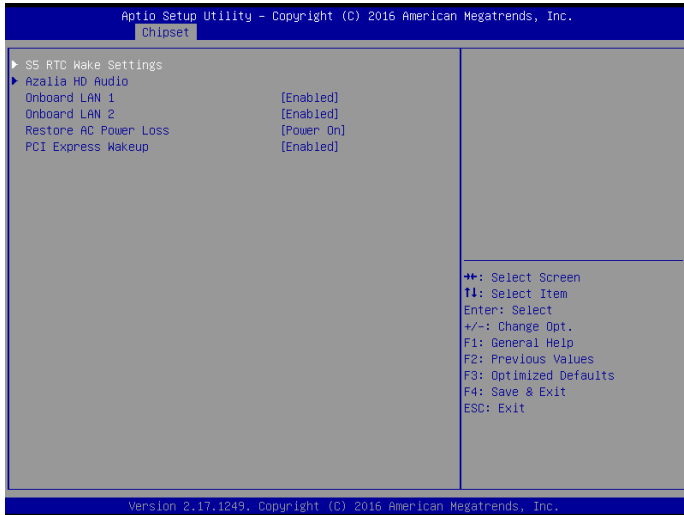
Use this item to enable or disable the LVDS video signal output.

VGA Output Select(Forced)

This option is used to choose VGA signal output, the available options are Forced and Auto.

South Bridge

Scroll to this item and press <Enter> to view the following screen:



Azalia HD Audio

Use this option to control detection of the Azalia device.

Azalia controller(Enabled)

Disabled: Azalia will be unconditionally disabled.

Enabled: Azalia will be unconditionally enabled.

Auto: Azalia will enabled if present disabled otherwise.

USB Configuration

Use this option to configure USB settings.

XHCI Mode(Auto)

This item allows you to select the mode of operation of xHCI controller.

Onboard LAN1/LAN2(Enabled)

This item allows you to enable or disable the onboard LAN1 or LAN2.

Restore AC Power Loss(Power on)

This item allows you to select AC power state when power is re-applied after a power failure.

PCI Express Wakeup(Enabled)

This item allows you to enable or disable PCI Express Wakeup feature.

Press <Esc> to return to the Chipset Menu screen.

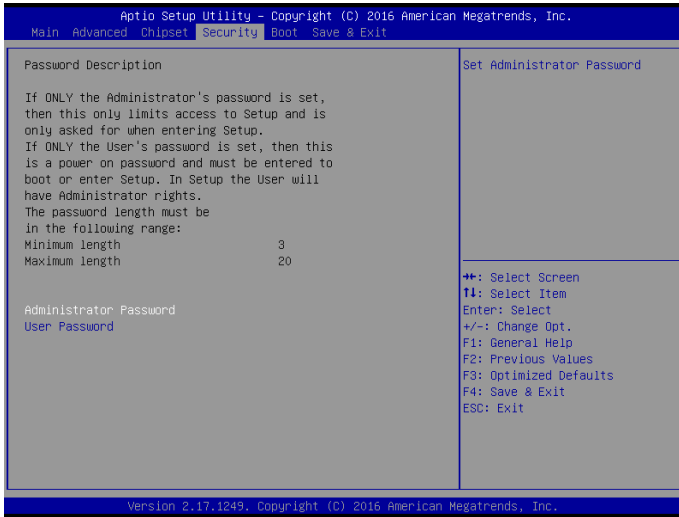
Security Menu

The Security Menu allows you to set Administrator and User password.

If ONLY administrator password is set, it only allow access to setup when entering setup.

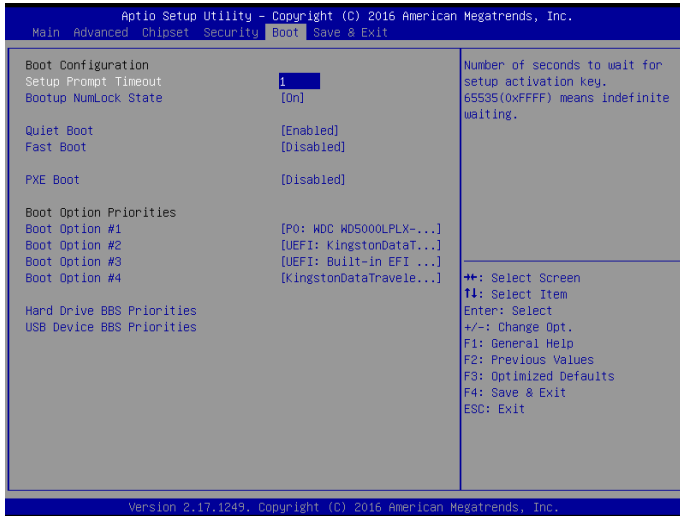
If ONLY the user's password is set, power on password must be entered to boot or enter Setup. In Setup, user will have administrator rights.

The password length must be in the following range: Minimum length:3, Maximum:20.



Boot Menu

The Boot Menu allows changing in the system boot options.



Bootup Num-lock state (ON)

If this item is set to “On”, it will automatically activate the Numeric Lock function after boot-up.

UPS FUNCTION (OFF)

This item allows the Uninterruptible Power System(UPS) setting. Set this item to “OFF”, work well with the system unit using battery power when sudden power lost occurs. this item “ON” automatically power off without any damage on the data of the hard disk.

Quiet Boot (Enabled)

This item allows bootup screen options to be modified between POST messages or the OEM logo. Select “Disabled” to display POST messages. Select “Enabled” to display the OEM logo instead of the normal POST messages.

Fast Boot (Disabled)

This item enables BIOS to skip certain tests in order to speed up the boot sequence. This feature has two options: [Enabled] [Disabled].

PXE Boot(Disabled)

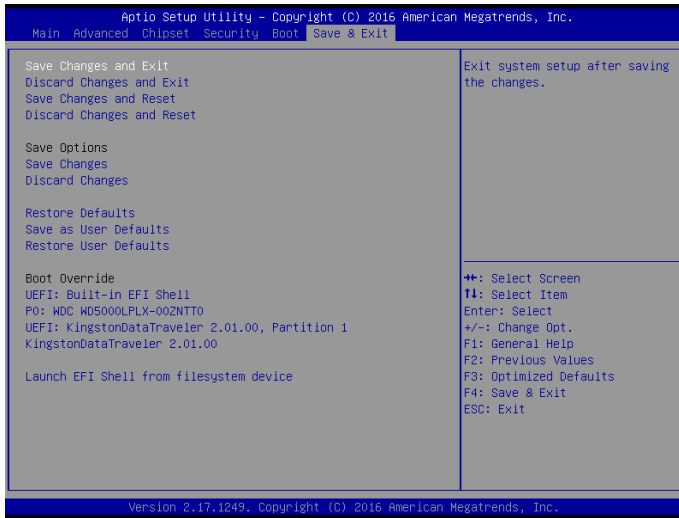
This item allows the execution of UEFI and Legacy PXE OpROM.

Boot Option Priorities

This item allows system boot order selection.

Save & Exit Menu

The Save & Exit Menu save and exit the setup utility.



Save Changes and Exit

The following message, “Save configuration changes and exit setup?” Select [OK] to save changes and exit the UEFI SETUP UTILITY.

Discard Changes and Exit

The following message, “Discard changes and exit setup?” Select [OK] to exit the UEFI SETUP UTILITY without saving any changes.

Save Changes

Use this item to save changes made to the BIOS options and reset the system.

Discard Changes

Use this item to exit the system without saving changes made to the BIOS configuration setup program.

Restore Defaults

This option restores all BIOS settings to the factory default. This option is useful if the controller exhibits unpredictable behavior due to an incorrect or inappropriate BIOS setting.

Save as user defaults

Use this item to save settings as user defaults.

Restore User defaults

Use this item to restore user defaults.

Boot Override

This option lists all booting options; users may choose one of the options and press <Enter>, then you may boot according to the option.

Chapter 7 Appendix

Care and Maintenance

Regular maintenance of the ARP-5500AX-E01 Series waterproof industrial panel computer can help prevent damage or downtime.

Service should be performed by qualified and authorized personnel. Make sure the computer is powered down and unplugged before removing the cover or working on internal components.

- Keep the ARP-5500AX-E01 Series waterproof industrial panel computer in a dry, clean space. Minimize exposure to dust, power switches or other controls should never be wet.
- If the unit gets wet, power it off immediately. Wait for the unit to dry completely before powering it on again.
- If you move it from a very cold environment to a warm environment, give the components time to reach room temperature before powering it on.
- Clean the exterior surfaces of the unit with a soft, damp cloth. Never use alcohol, paint thinner or benzene to clean this unit.
- Occasionally remove dust from interior surfaces, taking care not to touch or damage connections or chips.
- Position your system unit away from direct sunlight, moisture, dust, oil and thoroughfare.
- Never expose the unit to harsh jarring.
- Ensure that all ventilation outlets are always free from obstruction.
- To protect components against damage from static electric discharge, you should: Use a grounding wrist strap. The strap will have an "alligator"clip at the end of a shielded wire lead. Clip it to a grounded object. Put on and connect the strap before you handle the components. Also, you can use an anti-static pad. Put any components on the pad whenever you work on them outside the computer. If you don't have a pad, put the components on the anti-static bag.
- Back up all the critical data, in a situation of unit being moved there are chances of hard disk getting damaged. Before moving, remove all data disks from the drive, turn off the computer and all peripherals. Also unplug the power and disconnect cables.
- In the event of mechanical/power failure or damage, do not attempt to repair the system unit or wires. Refer all such problems to experienced personnel.
- If the industrial microbox computer needs service, please consult the authorized dealer through the contact information provided on the warranty card. Faulty service may void the warranty.

Product Limited Warranty

Arista ARP-5500AX-E01 Series waterproof industrial panel computer sold in the U.S.A and Canada comes with two-year warranty. Arista warranty obligations for its products are limited to the terms&conditions listed below.

1. Limited Warranty Coverage

- If the purchased product does not work due to defect in materials, starting after three years from the date of purchase (invoice date),Arista Corporation will repair or replace with new or refurbished product or parts.
- Arista Corporation holds every right to decide for repair or replacement of any product or part. During the “labor” limited warranty period there will be no charge for labor and during the “parts” limited warranty, there will be no charge for parts.
- Customers should ship the defective product or parts to Arista Corporation at their expense. After repair or replacement, Arista will pay for shipping via UPS Ground back to the customer.
- This limited warranty applies to products and services only in the North America region. Arista Corporation will not pay for any shipping for product or parts for any location outside of United States.

2. Exclusions and Limitations

- Limited warranty is applicable to defect in material or workmanship, it does not cover any general wear and tear, or cosmetic damaged.
- Damage due to external causes, including, but not limited to, failures which are caused by products not supplied by Arista Corporation. Also adding or altering any component without any prior concurrence from Arista Corporation technical support.
- Limited warranty does not apply to damages caused by failure or negligence, this include accidents, misuse, abuse, mishandling, misapplication, alteration, faulty installation, set-up adjustment, improper maintenance, power surge issues with electrical stability, failure to maintain environmental conditions specified by the manufacturer, wrong attempt to relocate the system, lightning damage, modification, product servicing from unauthorized providers, inappropriate product usage without referring to the manual or instructions and any other change in product component without prior guidance from Arista Corporation technical support.
- Any signs of tempering/altering with serial number will void this warranty.
- There is no expressed warranty except as stated under “Limited Warranty Cov-erage”. Under no equitable theory shall Arista Corporation be held liable for monetary and/or non-monetary damage resulting from normal or abnormal usage of our products. Use, distribution and/or similar engagement of our products constitute implied agreement to these and similar Arista Corporation limited liability policies.

3. Technical Support

- Arista Corporation entire team is dedicated towards customers’ needs and requirements. Arista’s technical support team is available to resolve customer issues over phone and email. If required, an RMA number is issued to resolve.
- Also, customers are required to keep the product serial number handy when reaching the technical support.
- Arista Corporation technical support can be reached at Monday through Friday 8:00am to 5:00PM PST at 510-226-1800 ext.400,Fax 510-226-1890 or email support@goarista.com.

4. RMA (Return Material Authorization) Procedures

- All return requests are provided with a number, please contact Arista customer service or complete RMA request form to obtain a number before returning any products or parts.
- Returns will be authorized in accordance with the following policy: If it is deemed that the unit/part should be returned, Arista's customer service representative will give the customer a return authorization number and ship to address to return the product.
- Products will not be accepted by Arista RMA department if it is not accompanied by a valid RMA number. It should clearly marked on the outside of the package.
- Products must be returned within 30 days after the date of when RMA number was issued. After the 30-day period, the RMA number issued will be invalid. Please do not return products with an invalid RMA number; contact Arista's customer service representative if your RMA number is invalid. Customer service can be reached at Monday through Friday 8:00am to 5:00PM PST at 510-226-1800 ext.400,Fax 510-226-1890 or email support@goarista.com.

Warranty Returns

- All returning products should be under applicable warranty period. After warranty period is over, the original product will be returned to the customer.
- The RMA number for Warranty Return will be issued within 24 hours from the time RMA application form is received by Arista.

Non-Warranty Returns

- If the customer wishes to return a product for repair that is no longer within the warranty period, or any kind of damage not covered by the warranty, an Arista sales representative will inform the customer of the estimated cost of the repair.
- Return of the product will be counted as the authorization to repair and agreement to pay for the cost of repair, whether or not it exceeds the original estimate.

5. RMA Credit Policy

Returns for Credit & Credit Types

Returns for credit that require Arista's management approval may take up to 48 hours for processing/approval. Products can be returned for credit with the following conditions:

- **Dead on Arrival (DOA):** The customer must report DOA units to Arista's RMA department within 14 calendar days after the product is received. Customer can request either return for credit or replacement. If replacement is requested, Arista will ship the replacement in 7 calendar days and invoice the customer for the re-placement. A credit memo will be issued to the customer after the DOA product is received and verified.
- **Evaluation Return:** The customer must notify Arista's RMA department before or at the end of the evaluation period if the customer decides to return the evaluation unit. An RMA number must be obtained from Arista prior to returning the unit.
- **Short Shipment:** The customer must report for any item received short-shipped or wrong products received in 7 calendar days after the product is received. The customer can request either: shipment of missing items, replacement of wrong items or return for credit. If shipment of missing items or replacement of wrong items is requested, Arista will ship the replacement in 7 calendar days. A credit memo will be issued to the customer after the returned product is received and verified.
- **Non-Open-Box Return:** In the event where a customer places an incorrect order, over stock or double orders, the customer can request return for credit with the following restocking fees applied.

- Restocking Fee: A 15% restocking fee will apply to non-open-box returns when returned within 3 months after invoice date. A 30% restocking fee will apply to non-open-box returns returned within 6 months. Beyond 6 months after invoice date, a 50% restocking fee will apply to non-open-box returns returned within 12 months. Beyond 12 months after invoice date, Arista will not grant authorization to return non-open-box returns for credit.
- Return Condition: All valid returns for credit products must be returned in its original packaging and in good condition along with all the items and accessories originally shipped with the product. Any damages will be assessed and the cost of repair or refurbishment will be deducted from the credit issued.
- No Credit DOA: No credit will be given to the customer for DOA products received by Arista beyond 30 calendar days after the invoice date. No credit will be given to all non-cancellable, non-returnable, custom order parts.

6. RMA Transportation Policy

Transportation Charges

- All customers are responsible for all freight charges involved in shipping defective products back to Arista Corporation.
- Arista Corporation will cover the cost of returning products that are under warranty via UPS Ground to customers in the United States after repair or replacement.
- International customers are responsible for all transportation, insurance, customs and other similar charges for all returned products shipped outside of the United States and must ensure that the product is appropriately packed.
- Shipping damages resulting from improper packaging will be customer's re-sponsibility.
- Arista is not responsible for products lost during shipment. All products being returned for Limited Warranty repair or replacement must be sent freight prepaid.

Transportation Damages

- In cases of transportation damage, the customer is responsible for filing all claims with the shipping carrier.
- To avoid any potential risk that an RMA product is lost or damaged while in transit to Arista, it is recommended that the customer insures and declares the full value of the RMA product. The customer is 100% responsible for the RMA product while in transit to Arista.
- We urge customers to pack the RMA product carefully to avoid transit damage.

Refused Shipment Restocking Fees

- If a customer refuses a shipment, credit will be issued only after the refused product is received and verified by Arista. The shipping charge plus 15% restocking fees will be billed to the customer.

7. RMA Transportation Policy

Product Non-Acceptance

- Products will not be accepted by Arista Corporation if not accompanied by a valid RMA number, which must be clearly marked on the outside of the package.
- Any products refused by Arista will incur fees and/or charges applied by the shipping carrier, and shall be the sole liability of the original shipper.

Sample RMA Shipping Label

<p>ARISTA CORPORATION Attention: RMA Department 40675 Encyclopedia Circle Fremont, CA 94538 RMA: # _____</p>

Package Identification

- Each box must have reference for the following information: Customer/Contact Name • Return Address have Phone Number • RMA Number (issued by an authorized ARISTA source).
- The RMA number must be written on the outside of the shipping container for identification purposes.
- Shipments not properly identified will be refused.
- To avoid any discrepancy of items received, please do not return accessories (manuals, driver CDs, OS CDs, cables, etc.) with the RMA unit in need of repair.
- If available, use the original box/packaging to ship back RMA units to avoid transit damage.

RMA Rejection Policy

Arista reserves the rights to return any RMA product received that does not comply with the information given on the original Return Material Authorization (RMA) request, such as:

- Invalid RMA number
- RMA number not visible and/or not on the box shipping label
- RMA condition described by the customer differs from the actual condition of the product
- Expired RMA number
- Unauthorized return (no RMA # was issued)
- No Arista serial number on the product
- Product is physically damaged
- If you have any questions regarding Arista's RMA procedures, product return policies and/or other similar issues, please call Arista's Customer Service and RMA Department during office hours, Monday through Friday (8:30am-5:30pm PST)
- Phone: (510) 226-1800 ext. 400
- Fax: (510) 226-1890
- Email: rma@goarista.com

8. Arista's Limited Liability

Product Non-Acceptance

- Arista Corporation is not liable for incidental or consequential damages resulting from the use of Arista products or arising out of any breach of Arista's full limited warranty.
- Under no equitable theory shall Arista Corporation be held liable for monetary and/or non-monetary damages resulting from the normal or abnormal usage of our products. Use, distribution and/or similar engagement of our products constitute implied agreement to these and similar Arista Corporation Limited Liability policies.
- Arista Corporation is not liable for damages or reimbursement for lost time, lost revenue, and cost of having someone remove or re-install an installed unit if applicable, or travel to and from the service providers.
- All expressed and implied warranties, including the limited warranty of Merchantability are limited to the period of the limited warranty, unless, otherwise, indicated in writing by Arista Corporation.

9. Customer Responsibilities

- By requesting service, the eligible customer acknowledges the terms of the limited warranty, including the disclaimer and limitation of liability provision.
- Prior to seeking service, customers must back-up all data, programs, files and/or similar digital documents that may become damaged and/or lost due to service.
- Arista Corporation, WITHOUT LIMITATION, is not responsible for lost, damaged or otherwise destroyed data due to service.

Disposal and Recycling Information

Arista ARP-5500AX-E01 Series waterproof industrial panel computer must be disposed as per the local laws and regulations applicable to that location. Once the product reaches end of its life cycle and needs to be disposed, local authorities should be contacted for appropriate options.



This symbol on the product or in the manual means that electrical or electric equipment should be disposed at the end of its life-cycle separately and not in the regular household waste. There are separate collection systems for recycling in the EU. For more information, please contact your local authorities or your retailer where you purchased the product.

Disclaimer and Copyright Notice

Disclaimer

All the information, design and specifications contained in this manual were correct in this publication. However, as the product goes under continuous upgrades and changes, the final device may have slight differences. The contents of this manual are subject to changes without prior notice, and Arista Corporation shall not be liable for any errors contained herein or for incide or consequential damages in connection with the furnishing, performance, or use of this manual.

© Copyright 2014

The information contained in this user's manual and all accompanying documentation is copyrighted and all rights are reserved. This publication may not, in whole or in part, be reproduced, transcribed, stored in a retrieval system, translated into any language or computer language, or transmitted in any form whatsoever without the prior written consent from the manufacturer, except for copies retained by the purchasers for their personal archival purposes. The manufacturer reserves the right to revise this user's manual and all accompanying documentation and to make changes in the content without obligation to notify any person or organization of the revision or change.

IN NO EVENT WILL THE VENDOR BE LIABLE FOR DIRECT, INDIRECT, SPECIAL, INCIDENTAL, OR CONSEQUENTIAL DAMAGES ARISING OUT OF THE USE OR INABILITY TO USE THIS PRODUCT OR DOCUMENTATION; EVEN IF ADVISED OF THE POSSIBILITY OF SUCH DAMAGES. IN PARTICULAR, THE VENDOR SHALL NOT HAVE LIABILITY FOR ANY HARDWARE, SOFTWARE, OR DATA STORED OR USED WITH THE PRODUCT, INCLUDING THE COSTS OF REPAIRING, REPLACING, OR RECOVERING SUCH HARDWARE, SOFTWARE, OR DATA.

All trademarks mentioned in this document are acknowledged. The specifications in this manual are subject to change without notice.



Arista Corporation
40675 Encyclopedia Circle, Fremont, CA 94538 U.S.A.
Tel: (510) 226-1800 Fax: (510) 226-1890
<http://www.goarista.com>