

Features

- ▶ 15" - 19" Active Max TFT LCD Display
- ▶ NEMA 4X / Waterproof Stainless Steel Enclosure
- ▶ Optional 5-Wire Resistive Touch Screen
- ▶ Integrated VGA Extender
- ▶ Transmission length up to 330meters(1,000ft) over CAT5e cable
- ▶ Adjustable equalization and gain control
- ▶ De-skew compensation available for RGB delay control



RS-232
Touch



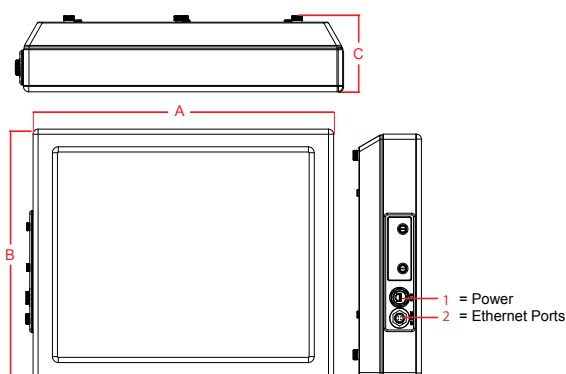
VGA
Input



ADM-5815AX, ADM-5817AX, ADM-5819AX

Specifications	ADM-5815 AX	ADM-5817 AX	ADM-5819 AX
LCD Display			
Display Size (Diagnol)	15 inch	17 inch	19 inch
Resolution	1024 x 768	1280 x 1024	1280 x 1024
Backlight Lifetime (Hours)	30,000	50,000	50,000
Visual Characteristics			
Colors	16 Million	16 Million	16 Million
Aspect ratio	4:3	4:3	4:3
Viewing angle (V/H)	120° / 130°	140° / 140°	178° / 178°
Response time(Typical)	12 ms	12 ms	20 ms
Pixel Pitch(mm)	0.297 x 0.297	0.264 x 0.264	0.294 x 0.294
Contrast ratio	500:1	800:1	700:1
Brightness	250 nits	300 nits	300 nits
Touch Screen			
Technology	5 Wire Resistive	5 Wire Resistive	5 Wire Resistive
Touch rating	35 Million Touches	35 Million Touches	35 Million Touches
MTBF	490,000 hours	490,000 hours	490,000 hours
Interface	RS-232	RS-232	RS-232
Driver	WinCE, WinXP	WinCE, WinXP	WinCE, WinXP
Receiver			
Video bandwidth	350MHz	350MHz	350MHz
Video support	VESA	VESA	VESA
Equalization	Continuous analog control	Continuous analog control	Continuous analog control
RGB delay control	Yes	Yes	Yes
ESD protection	Core chipset — ±8kV	Core chipset — ±8kV	Core chipset — ±8kV
Input	1 x RJ-45	1 x RJ-45	1 x RJ-45
Power/Thermal Specs.			
Power Requirement (Max)	110VAC @ 0.3A, 220VAC @ 0.15A 12VDC @ 2.5A Max, 24VDC @ 1.25A Max	110VAC @ 0.4A, 220VAC @ 0.2A 12VDC @ 3.2A, 24VDC@ 1.6A	110VAC @ 0.45A, 220VAC @ 0.25A 12VDC @ 3.8A, 24VDC@ 1.9A
Power Consumption (Max)	30W	38W	45W
Heat Dissipation	102 BTU/hr	129 BTU/hr	153 BTU/hr
Physical Information			
Mounting	Multiple Options	Multiple Options	Multiple Options
Net Weight	27 Lbs / 12.24 Kg	29 Lbs / 13.15 Kg	32 Lbs / 14.51 Kg
Physical Dimension (WxHxD)	14.51 x 12.42 x 4.09 inch 368.6 x 315.5 x 103.9 mm	15.88 x 14.07 x 4.36 inch 403.4 x 357.4 x 110.7 mm	17.8 x 15.19 x 4.4 inch 452.1 x 385.8 x 111.8 mm
Environmental			
Operating Temp	0° - 50° C (32° - 122° F)	0° - 50° C (32° - 122° F)	0° - 50° C (32° - 122° F)
Storage Temp	-20° - 60° C (-4° - 140° F)	-20° - 60° C (-4° - 140° F)	-20° - 60° C (-4° - 140° F)
Relative Humidity	5% - 95% (non-condensing)	5% - 95% (non-condensing)	5% - 95% (non-condensing)
Rating	NEMA 4X	NEMA 4X	NEMA 4X
Certification			

ADM-5815 / 5817 / 5819AX Series Line Drawing



	ARP-5815 AX	ARP-5817 AX	ARP-5819 AX
A	14.51 inch / 368.55 mm	15.88 inch / 403.35 mm	17.8 inch / 452.12 mm
B	12.42 inch / 315.47 mm	14.07 inch / 357.38 mm	15.19 inch / 385.83 mm
C	4.09 inch / 103.89 mm	4.36 inch / 110.74 mm	4.4 inch / 111.76 mm

- 1 ARP 1700 Series
- 2 ARP 2200 Series
- 3 ARP 3600 Series
- 4 ARP 5500AX Series
- 5 ADM 1500 Series
- 6 ADM 1800 Series
- 7 ADM 5800 Series
- 8 ARD 1000
- 9 Box PC
- 10 AMA Series
- 11 AMS Series
- 12 AVW Series
- 13 Thin Clients
- 14 MPC Series
- 15 RS Series

Features

- 42" Active Max TFT LCD Display
- Optional IR Touch Screen
- NEMA 4 / NEMA 4X Enclosure
- Integrated VGA Extender
- Transmission length up to 330meters(1,000ft) over CAT5e cable
- Adjustable equalization and gain control
- De-skew compensation available for RGB delay control



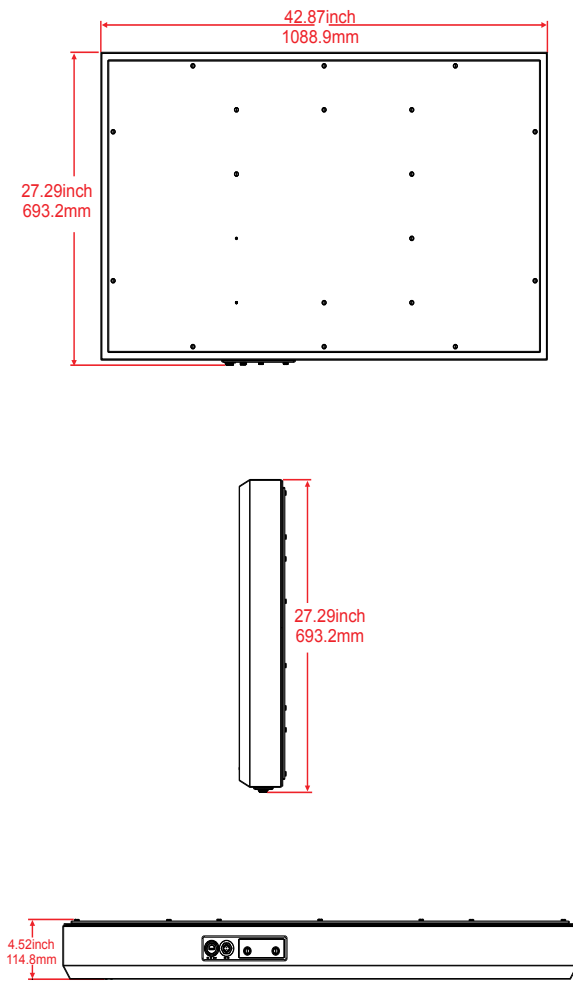
RS-232
Touch



VGA
Input



ADM-5842AX

Specifications	ADM-5842 AX	Line Drawing
LCD Display		
Display Size (Diagnol)	42 inch	
Resolution	1680 x 1050	
Backlight Lifetime (Hours)	50,000	
Visual Characteristics		
Colors	16 Million	
Aspect ratio	16:9	
Viewing angle (V/H)	178° / 178°	
Response time(Typical)	6.5 ms	
Pixel Pitch(mm)	0.4845 x 0.4845	
Contrast ratio	2,500:1	
Brightness	500 nits	
Touch Screen		
Technology	Infrared	
Touch rating	27 Million Touches	
MTBF	300,000 hours	
Interface	USB, RS-232	
Driver	Windows 2K, XP, Windows 7	
Receiver		
Video bandwidth	350MHz	
Video support	VESA	
Equalization	Continuous analog control	
RGB delay control	Yes	
ESD protection	Core chipset — ±8kV	
Input	1 x RJ-45	
Power/Thermal Specs.		
Power Requirement (Max)	110va@ 2.2A, 220VAC@ 1.1A 24 V DC @10A	
Power Consumption (Max)	234W	
Heat Dissipation	798 BTU/hr	
Physical Information		
Mounting	VESA Mount	
Net Weight	104 Lbs / 47 Kg	
Physical Dimension (WxHxD)	42.76 x 26.73 x 5.04 inch 1086.1 x 678.9 x 128.0 mm	
Environmental		
Operating Temp	0° - 50° C (32° - 122° F)	
Storage Temp	-20° - 60° C (-4° - 140° F)	
Relative Humidity	0% - 95% (non-condensing)	
Rating	NEMA 4/4X	
Certification		

Features

- Supports resolution up to WUXGA (1920x1200@60Hz)
- Transmission distance up to 330m/1,000 feet
- Supports RS-232 half-duplex
- Adjustable equalization on Remote Display
- Adjustable gain control on Remote Display
- Adjustable RGB delay/De-skew compensation
- Wall Mount / DIN-RAIL Mount



RS-232
Touch



VGA
Input



Local Host VGA Transmitter

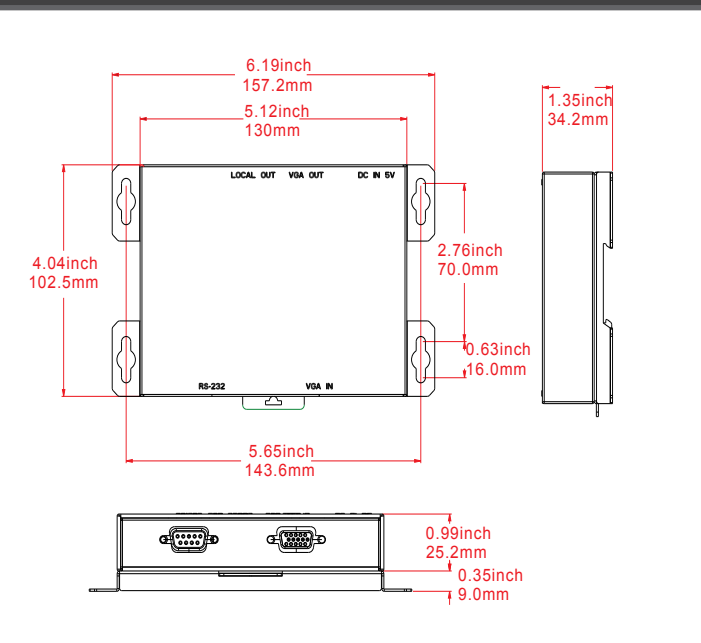
Local Host Transmitter

Role of usage	Local Transmitter
Video bandwidth	350MHz
Video support	VESA
Transmission	WUXGA [1920x1200] 330m (1,000ft) [CAT5e]
Audio support	N/A
RS-232 signal type	Half-duplex & baud rate
Input video signal	1.2 Volts (peak to peak)
Loop-out	1 VGA loop-out
ESD protection	[1] Human body model — ±15kV (air-gap discharge) & ±8kV (contact discharge)[2] Core chipset ±8kV
PCB stack-up	4-layer board [impedance control — differential 100Ω; single 50Ω]
Input	1x VGA, 1x RS-232
Output	HD-15 (15-pin D-sub female)
VGA connector	WE/SS 8P8C with 2 LED indicators
RJ-45 connector	DE-9 (9-pin D-sub female)

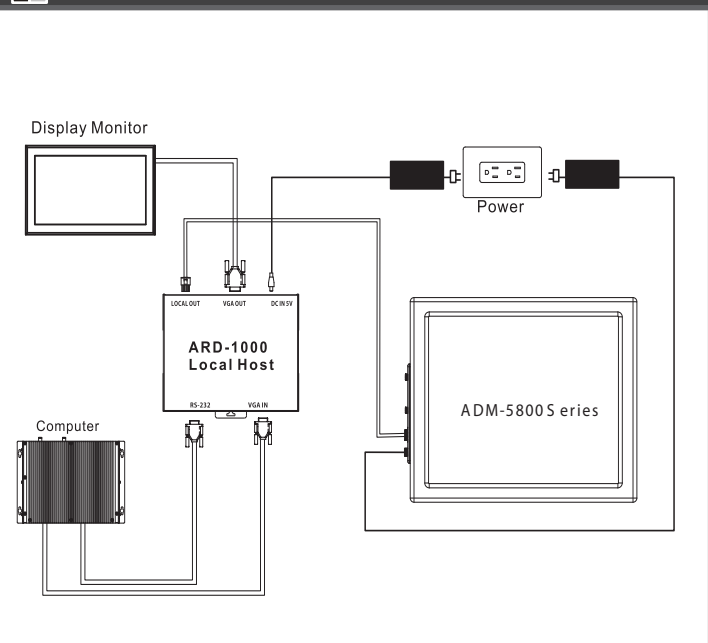
Mechanical

Physical Dimensions (W x H x D)	6.19 x 4.26 x 1.35 inch / 157.2 x 108.4 x 34.3 mm
Net Weight	2.33 Lbs / 1.06Kkg
Mounting	Wall Mount / DIN-RAIL Mount
Power supply	5V / 2A DC
Power consumption(Max)	5 W
Operating Temp	0 - 50°C (32 - 122°F)
Storage Temp	-20 - 60°C (-4 - 140°F)
Relative Humidity	20 - 90% RH (no condensation)

ARD-1000 Local Host Line Drawing



Wiring diagram



- 1 ARP 1700 Series
- 2 ARP 2200 Series
- 3 ARP 3600 Series
- 4 ARP 5500AX Series
- 5 ADM 1500 Series
- 6 ADM 1800 Series
- 7 ADM 5800 Series
- 8 ARD 1000
- 9 Box PC
- 10 AMA Series
- 11 AMS Series
- 12 AVW Series
- 13 Thin Clients
- 14 MPC Series
- 15 RS Series

Features

- 24" Active Max TFT LCD
- 16:9 (Wide) Aspect Ratio
- Max Resolution at 1920 x 1080
- 5-Wire Resistive Touch Screen
- Meets IP-50 Requirements
- VGA and DVI Input
- 24VDC Input Option Available



**RS-232
Touch**



**VGA
Input**



**USB 2.0
Touch**



**DVI
Input**



ADM-5824BP

Specifications	ADM-5824 BP	Line Drawing
LCD Display		
Display Size (Diagnol)	24 inch	
Resolution	1920 x 1080	
Backlight Lifetime (Hours)	50,000	
Visual Characteristics		
Colors	16 Million	
Aspect ratio	16:9	
Viewing angle (V/H)	170° / 160°	
Response time(Typical)	16 ms	
Pixel Pitch(mm)	0.277 x 0.277	
Contrast ratio	1000:1	
Brightness	300 nits	
Input Interface		
VGA	Yes	
DVI	Yes	
S-Video	N/A	
Composite Video	N/A	
Component Video	N/A	
Touch Screen		
Technology	5 Wire Resistive	
Touch rating	35 Million Touches	
MTBF	490,000 hours	
Interface	RS-232, USB	
Driver	WinCE, WinXP Pro	
Front Bezel		
NEMA 4	Black Powder Coated	
NEMA 4x	Stainless Steel (Optional)	
OS SUPPORT		
OS Support	Win XPe, Win2000, WinXP Pro	
Power/Thermal Specs.		
Power Requirement (Max)	110VAC @ 0.6A, 220VAC @ 0.3A 12VDC @ 4.8A, 24VDC@ 2.4A	
Power Consumption (Max)	60W	
Heat Dissipation	204 BTU/hr	
Physical Information		
Mounting	Vesa Mount	
Net Weight	20Lbs / 9.07 Kg	
Physical Dimension (WxHxD) Panel Mount		
Cutout Dimension (WxH) Panel Mount		
Physical Dimension (WxHxD) Rack Mount		
Environmental		
Operating Temp	0° - 50° C (32° - 122° F)	
Storage Temp	-20° - 60° C (-4° - 140° F)	
Relative Humidity	5% - 95% (non-condensing)	
Rating	IP50	
Certification		

Features

- ▶ 42" Active Max TFT LCD Display
- ▶ Full HD 1920 x 1080 Resolution (DVI Input)
- ▶ LCD Protected By Tempered Glass
- ▶ Optional IR Touch Screen
- ▶ Multiple Source Inputs
- ▶ IP 50 Enclosure



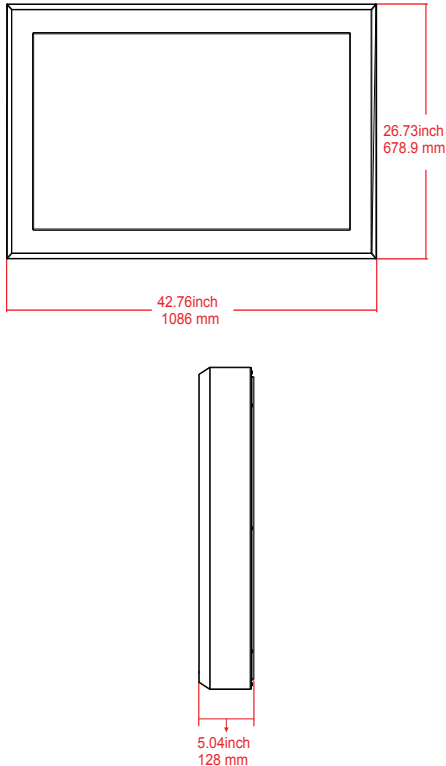
RS-232
Touch



VGA
Input

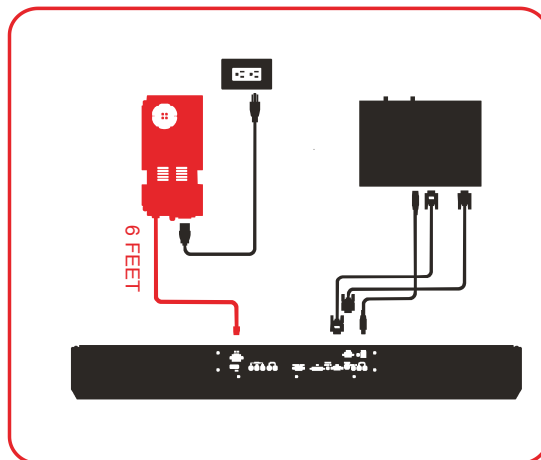
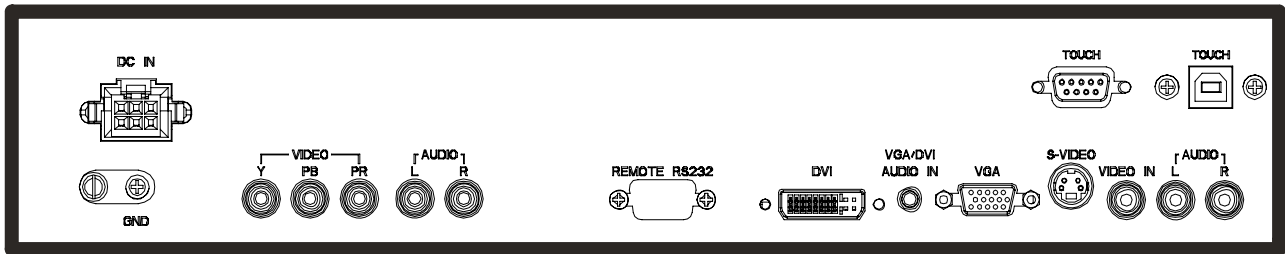
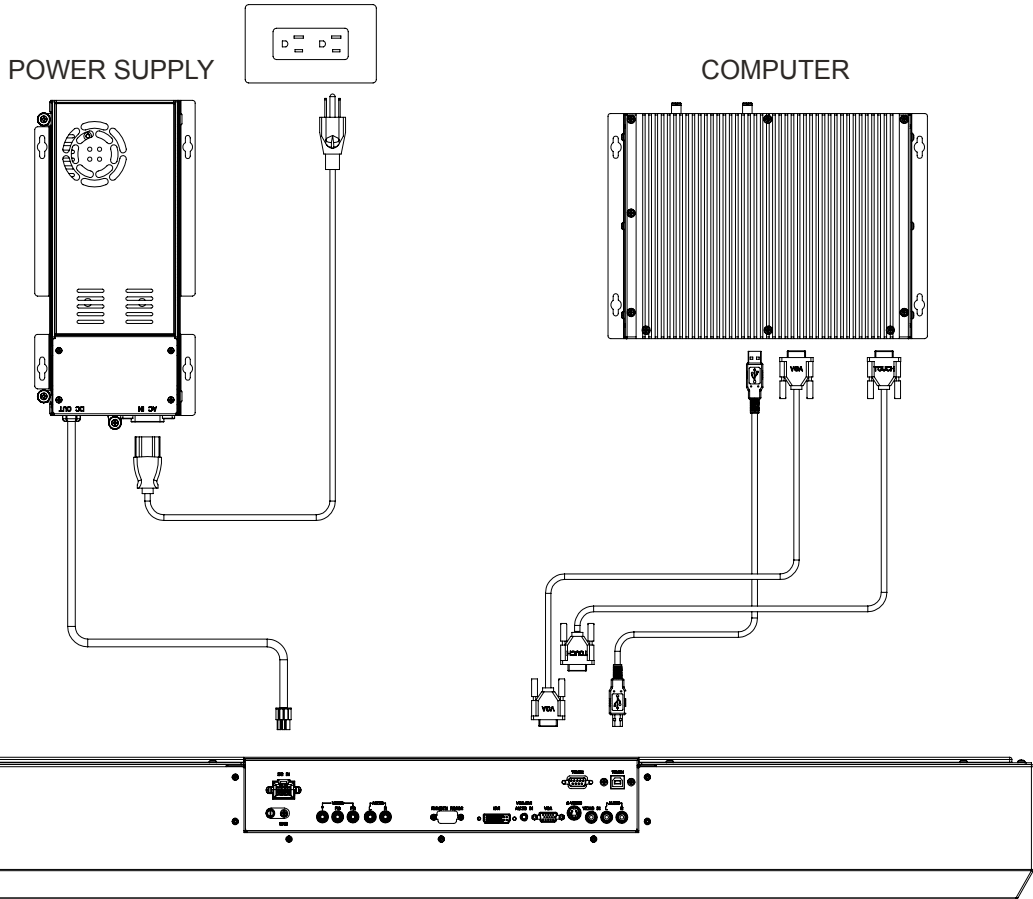


ADM-5842BP

Specifications	ADM-5842 BP	Line Drawing
LCD Display		 <p style="text-align: center; font-size: small;">*VESA Support : 200x200, 400X200, 400X400</p>
Display Size (Diagnol)	42 inch	
Resolution	1920 x 1080 Full HD	
Backlight Lifetime (Hours)	50,000	
Visual Characteristics		
Colors	16 Million	
Aspect ratio	16:9	
Viewing angle (V/H)	178° / 178°	
Response time(Typical)	6.5 ms	
Pixel Pitch(mm)	0.4845 x 0.4845	
Contrast ratio	2,500:1	
Brightness	500 nits	
Input Interface		
VGA	Yes	
DVI	Yes	
S-Video	Yes	
Composite Video	Yes	
Component Video	Yes	
Touch Screen		
Technology	Infrared	
Touch rating	27 Million Touches	
MTBF	300,000 hours	
Interface	USB, RS-232	
Driver	Windows 2K, XP, Windows 7	
Power/Thermal Specs.		
Power Requirement (Max)	110VAC @ 2.2A, 220VAC @ 1.1A 24VDC@ 10A	
Power Consumption (Max)	234W	
Heat Dissipation	798 BTU/hr	
Physical Information		
Mounting	VESA Mount	
Net Weight	103.61 Lbs / 47 Kg	
Physical Dimension (WxHxD)	42.76 x 26.73 x 5.04 inch	
Panel Mount	1086.1 x 678.9 x 128.0 mm	
Cutout Dimension (WxH)		
Panel Mount		
Physical Dimension (WxHxD)		
Rack Mount		
Environmental		
Operating Temp	0° - 50° C (32° - 122° F)	
Storage Temp	-20° - 60° C (-4° - 140° F)	
Relative Humidity	5% - 95% (non-condensing)	
Rating	IP50	
Certification		

- 1**
ARP
1700
Series
- 2**
ARP
2200
Series
- 3**
ARP
3600
Series
- 4**
ARP
5500AX
Series
- 5**
ADM
1500
Series
- 6**
ADM
1800
Series
- 7**
ADM
5800
Series
- 8**
ARD
1000
- 9**
Box PC
- 10**
AMA
Series
- 11**
AMS
Series
- 12**
AVW
Series
- 13**
Thin
Clients
- 14**
MPC
Series
- 15**
RS
Series

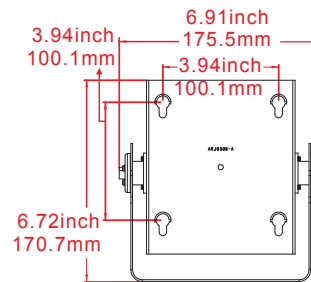
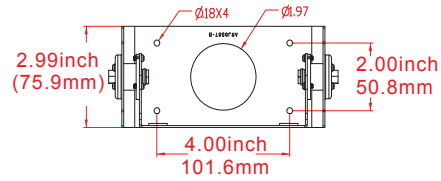
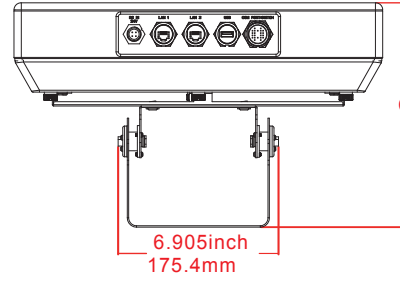
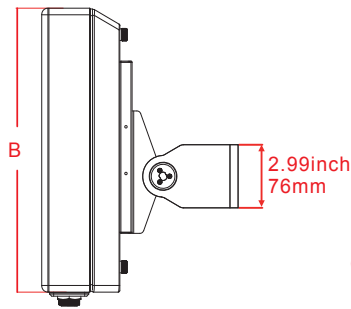
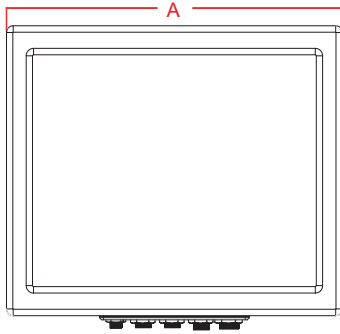
ARP-5842 Series Power Supply



*Note
The length of DC cable is 6 feet.

ADM-5815AX / ADM-5817AX / ADM-5819AX Pedestal Mount Bracket Assembly

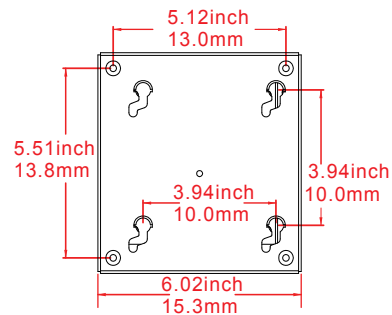
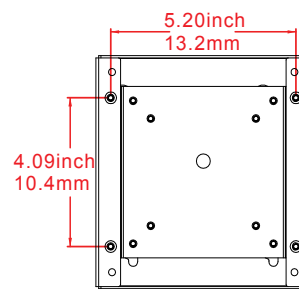
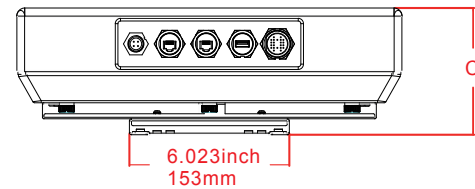
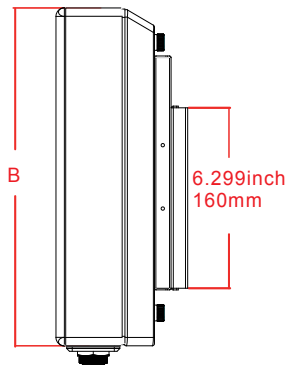
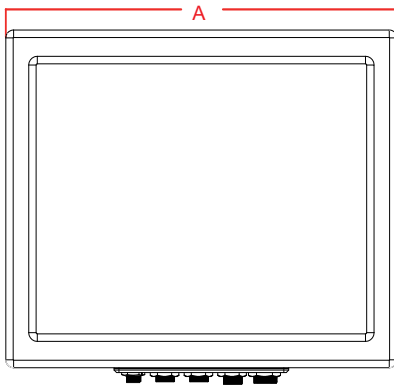
XTM-001

 ARP-5500AX/ADM-5800AX
 Pedestal Mount Bracket Assembly


	ADM-5815 AX	ADM-5817 AX	ADM-5819 AX
A	14.51inch / 368.5mm	15.88inch / 403.3mm	17.80inch / 452.1mm
B	11.80inch / 299.6mm	13.46inch / 341.8mm	14.60inch / 370.8mm
C	9.21inch / 234.0mm	9.48inch / 240.8mm	9.52inch / 241.8mm

ADM-5815AX / ADM-5817AX / ADM-5819AX VESA Mount Bracket Assembly

XVM-001

 ARP-5500AX/ADM-5800AX
 VESA Mount Bracket Assembly


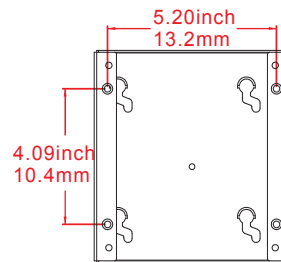
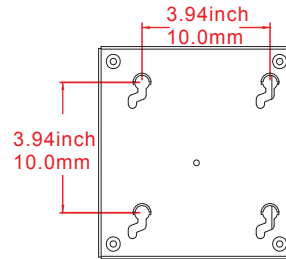
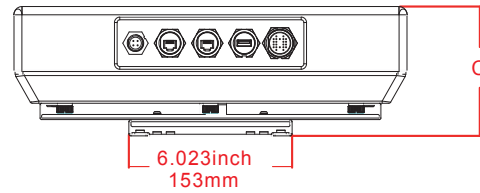
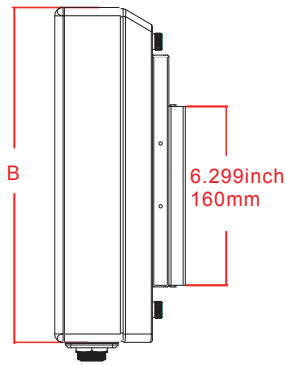
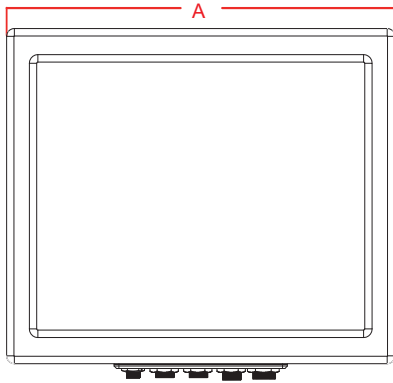
	ADM-5815 AX	ADM-5817 AX	ADM-5819 AX
A	14.51inch / 368.5mm	15.88inch / 403.3mm	17.80inch / 452.1mm
B	11.80inch / 299.6mm	13.46inch / 341.8mm	14.60inch / 370.8mm
C	4.69inch / 119.0mm	4.95inch / 125.8mm	4.99inch / 126.8mm

- 1** ARP 1700 Series
- 2** ARP 2200 Series
- 3** ARP 3600 Series
- 4** ARP 5500AX Series
- 5** ADM 1500 Series
- 6** ADM 1800 Series
- 7** ADM 5800 Series
- 8** ARD 1000
- 9** Box PC
- 10** AMA Series
- 11** AMS Series
- 12** AVW Series
- 13** Thin Clients
- 14** MPC Series
- 15** RS Series

Wall Mount Bracket Assembly

ADM-5815AX / ADM-5817AX / ADM-5819AX
XWM-001

ARP-5500AX/ADM-5800AX
 Wall Mount Bracket Assembly



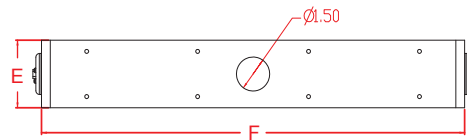
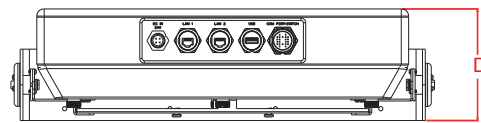
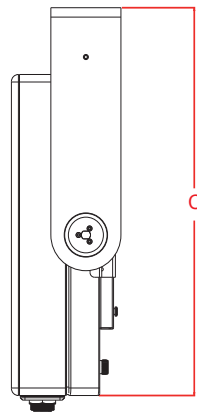
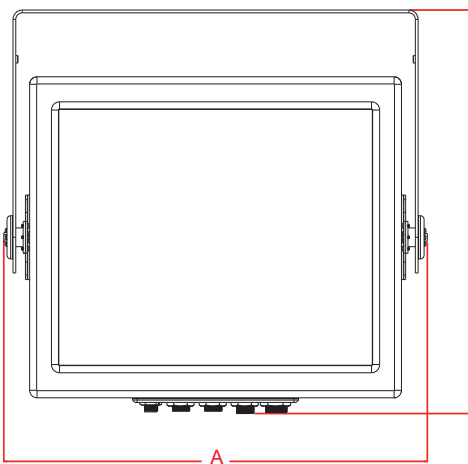
	ADM-5815 AX	ADM-5817 AX	ADM-5819 AX
A	14.50inch / 368.5mm	15.87inch / 403.3mm	17.79inch / 452.1mm
B	11.79inch / 299.6mm	13.45inch / 341.8mm	14.59inch / 370.8mm
C	4.68inch / 119.0mm	4.95inch / 125.8mm	4.99inch / 126.8mm

ADM-5815AX / ADM-5817AX / ADM-5819AX Ceiling Mount Assembly

XCM-001
 ARP-5515AX/ADM-5815AX Ceiling Mount Assembly

XCM-002
 ARP-5517AX/ADM-5817AX Ceiling Mount Assembly

XCM-003
 ARP-5519AX/ADM-5819AX Ceiling Mount Assembly



	ADM-5815 AX	ADM-5817 AX	ADM-5819 AX
A	16.79 inch / 426.4 mm	18.09 inch / 459.4 mm	19.86 inch / 504.4 mm
B	15.30 inch / 388.6 mm	16.92 inch / 429.7 mm	18.05 inch / 469.9 mm
C	14.64 inch / 371.8 mm	16.26 inch / 412.9 mm	17.39 inch / 441.8 mm
D	4.41 inch / 112.0 mm	4.68 inch / 118.8 mm	4.72 inch / 119.8 mm
E	2.99 inch / 7.6 mm	2.99 inch / 7.6 mm	2.99 inch / 7.6 mm
F	16.00 inch / 40.6 mm	17.30 inch / 43.9 mm	19.07 inch / 48.4 mm

ADM-5815AX / ADM-5817AX / ADM-5819AX Benchtop Stand Assembly
XDS-001

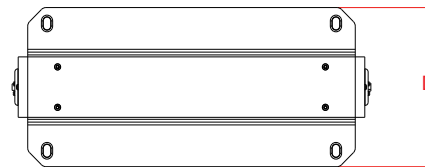
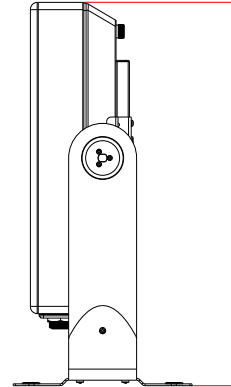
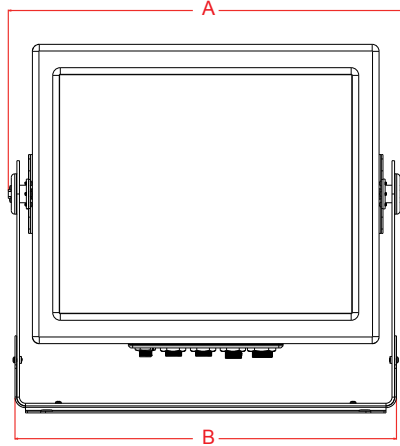
ARP-5515AX/ADM-5815AX Benchtop Stand Assembly

XDS-002

ARP-5517AX/ADM-5817AX Benchtop Stand Assembly

XDS-003

ARP-5519AX/ADM-5819AX Benchtop Stand Assembly



	ADM-5815 AX	ADM-5817 AX	ADM-5819 AX
A	16.79 inch / 426.4 mm	18.09 inch / 459.4 mm	19.86 inch / 504.4 mm
B	16.17 inch / 410.8 mm	17.47 inch / 443.8 mm	19.24 inch / 488.8 mm
C	14.91 inch / 378.6 mm	16.57 inch / 420.9 mm	17.71 inch / 449.8 mm
D	7.87 inch / 200.0 mm	7.87 inch / 200.0 mm	7.87 inch / 200.0 mm

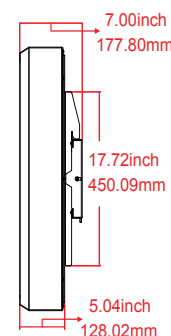
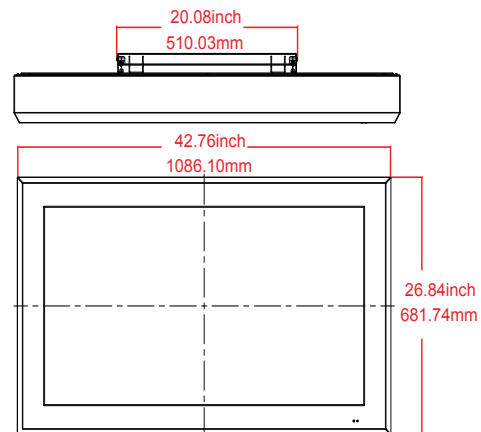
AWM-003 / XVM-003 Wall Mount Bracket

Features

- Supports VESA mounting standard
- Easy installation
- Easy release
- Fixed Mount
- Finish

AWM-003 Black Color powder coated
XVM-003 Stainless Steel
AWM-003 Line Drawing

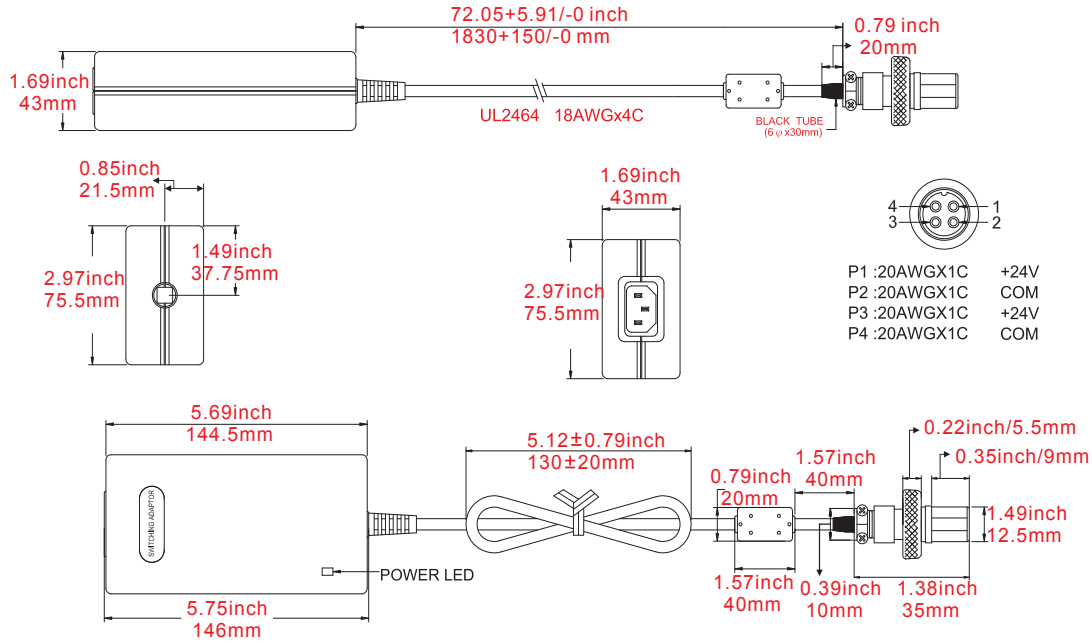
ADM-5842 with AWM-003/XVM-003 Line Drawing



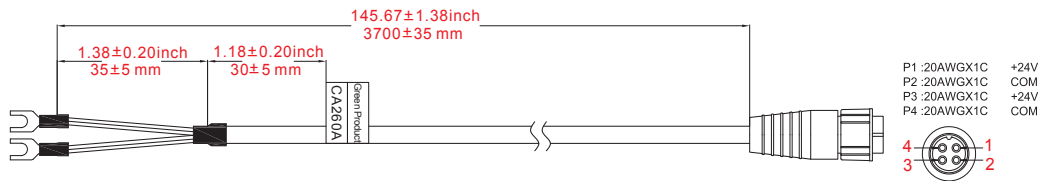
- 1 ARP 1700 Series
- 2 ARP 2200 Series
- 3 ARP 3600 Series
- 4 ARP 5500AX Series
- 5 ADM 1500 Series
- 6 ADM 1800 Series
- 7 **ADM 5800 Series**
- 8 ARD 1000
- 9 Box PC
- 10 AMA Series
- 11 AMS Series
- 12 AVW Series
- 13 Thin Clients
- 14 MPC Series
- 15 RS Series

ADM-5815AX / ADM-5817AX / ADM-5819AX Series Power Supply

Model : PSA-066A-024 (110~220 VAC Input, 24 VDC Output power supply)



Model : CA260A (24 VDC Input power cord)

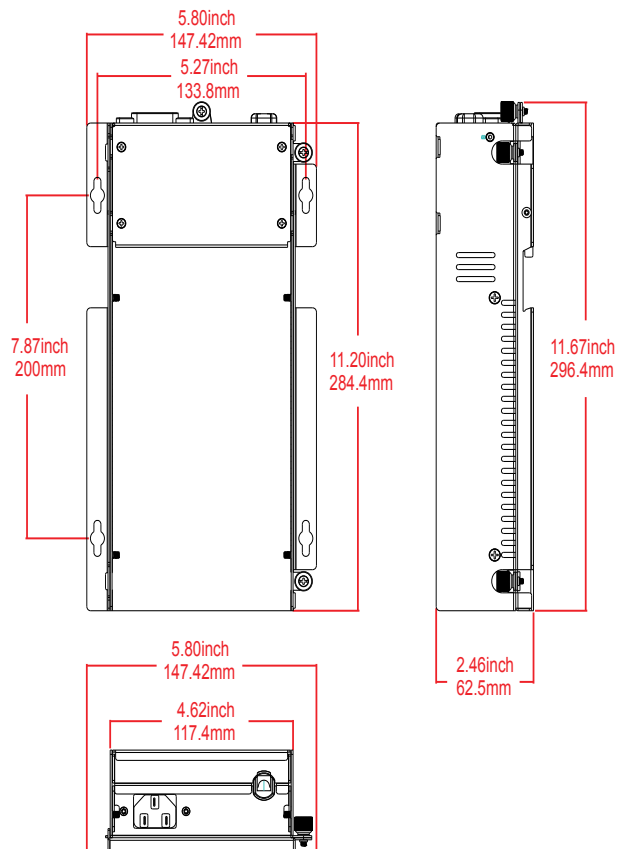


ADM - 5842AX / ADM - 5842BP Power Supply

Power Supply line drawing

Specifications (PWR-5842BP-000)

Input voltage range:	88 - 264VAC
Input frequency range:	47 - 63Hz
Input AC current:	115VAC:5A
	2.5A : 230VAC
Inrush Current (Typ.):	20A / 115VAC
	40A / 230VAC
MTBF:	207K hrs min.
	MIL-HDBK-217F (25°C)
Dimension (L X W X H):	11.2" x 5.79" x 2.46" inch 284.4 X 147.42 X 62.5 mm



Ordering Information		5-Wire Touch		Without Touch	
ADM-5815AX		ADM-5815AX-004	ADM-5815AX-005	ADM-5815AX-Z04	ADM-5815AX-Z05
LCD Display	15 inch	Touch Screen	5-Wire Resistive	5-Wire Resistive	No Touch
Bezel	Stainless Steel	Power supply	DC 24V Input	110 / 220 VAC Input	DC 24V Input
					110 / 220 VAC Input
ADM-5817AX		ADM-5817X-004	ADM-5817AX-005	ADM-5817AX-Z04	ADM-5817AX-Z05
LCD Display	17 inch	Touch Screen	5-Wire Resistive	5-Wire Resistive	No Touch
Bezel	Stainless Steel	Power supply	DC 24V Input	110 / 220 VAC Input	DC 24V Input
					110 / 220 VAC Input
ADM-5819AX		ADM-5819AX-004	ADM-5819AX-005	ADM-5819AX-Z04	ADM-5819AX-Z05
LCD Display	19 inch	Touch Screen	5-Wire Resistive	5-Wire Resistive	No Touch
Bezel	Stainless Steel	Power supply	DC 24V Input	110 / 220 VAC Input	DC 24V Input
					110 / 220 VAC Input

ADM-5815AX / ADM-5817AX / ADM-5819AX Packing List

Item	Packing List
1.	1x Local Host VGA Transmitter
2.	1x 110 - 220VAC Input, 5VDC Output Power Supply for Local Host VGA Transmitter
3.	1x ADM-5800 Model
4.	1x 6 feet RS-232 cable (male to male)
5.	1x 6 feet VGA cable (male to male)
6.	1x 110 - 220VAC Input, 24VDC Output Power Supply or CA260A DC Input Power Cord
7.	1x CA298 Waterproof RJ45 cable
8.	1x User's Guide

ADM-5815AX / ADM-5817AX / ADM-5819AX Bracket Assembly Options

Bracket Assembly	ADM-5815 AX	ADM-5817 AX	ADM-5819 AX
Pedestal Mount	XTM-001	XTM- 001	XTM- 001
VESA Mount	XVM-001	XVM- 001	XVM- 001
Wall Mount	XWM-001	XWM-001	XWM-001
Bench top Stand	XDS - 001	XDS - 002	XDS - 003
Ceiling Mount	XCM-001	XCM- 002	XCM- 003

ADM-5815AX / ADM-5817AX / ADM-5819AX Accessories Options

Accessories	Description
CA260A :	24 VDC Input power cord
CA298 :	Waterproof RJ45 Cable (3m)
PSA - 066A - 024 :	110 - 220VAC Input, 24VDC Output 66 W AC Power Adaptor

ADM-5824BP Ordering Information

Ordering Information		5-Wire Touch		Without Touch	
ADM-5824BP		ADM-5824BP-000	ADM-5824BP-001	ADM-5824BP-Z00	ADM-5824BP-Z01
LCD Display	24 inch	Touch Screen	5-Wire Resistive	5-Wire Resistive	No Touch
Enclosure	Black Color Bezel	Power supply	DC 24V Input	110 / 220 VAC Input	DC 24V Input
		Environmental Rating	IP50		IP50

ADM-5842AX/BP Ordering Information

Ordering Information		IR Touch		Without Touch	
ADM-5842AX		ADM-5842AX-001	ADM-5842AX-005	ADM-5842AX-Z01	ADM-5842AX-Z05
LCD Display	42 inch	Touch Screen	IR Touch	IR Touch	No Touch
Enclosure	Stainless Steel Bezel	Power supply	110 / 220 VAC Input	110 / 220 VAC Input	110 / 220 VAC Input
		Environmental Rating	NEMA 4/4X	NEMA 4/4X	NEMA 4/4X

Ordering Information		IR Touch		Without Touch	
ADM-5842BP		ADM-5842BP-001		ADM-5842BP-Z01	
LCD Display	42 inch	Touch Screen	IR Touch	No Touch	
Enclosure	Black Color Bezel	Power supply	110 / 220 VAC Input	110 / 220 VAC Input	
		Environmental Rating	IP50	IP50	

- 1**
ARP
1700
Series
- 2**
ARP
2200
Series
- 3**
ARP
3600
Series
- 4**
ARP
5500AX
Series
- 5**
ADM
1500
Series
- 6**
ADM
1800
Series
- 7**
ADM
5800
Series
- 8**
ARD
1000
- 9**
Box PC
- 10**
AMA
Series
- 11**
AMS
Series
- 12**
AVW
Series
- 13**
Thin
Clients
- 14**
MPC
Series
- 15**
RS
Series


ADM-5824BP Packing List

Item	Packing List
1.	FHD Series LCD Display Unit
2.	Power Supply Unit
3.	6 feet Power Cord
4.	6 feet VGA Cable
5.	6 feet DVI Cable


ADM-5842AX Packing List

Item	Packing List
1.	1x Local Host VGA Transmitter
2.	1x 110 - 220VAC Input, 5VDC Output Power Supply for Local Host VGA Transmitter
3.	1x ADM-5842AX Model
4.	1x 6 feet RS-232 cable (male to male)
5.	1x 6 feet VGA cable (male to male)
6.	1x 110 - 220VAC Input, 24VDC Output Power Supply or CA260A DC Input Power Cord
7.	1x CA298 Waterproof RJ45 cable
8.	1x User's Guide


ADM-5842BP Packing List

Item	Packing List
1.	FHD Series LCD Display Unit
2.	Power Supply Unit
3.	6 feet Power Cord
4.	6 feet VGA Cable
5.	6 feet DVI Cable
6.	6 feet RS-232 Cable (IR Option)
7.	6 feet USB Cable (IR Option)


ADM-5842BP Accessories Options

Accessories	Description
AWM - 003 - 000 :	Black color powder coated wall mount bracket
CAB - VGA - 000 :	6 feet VGA cable
CAB - DVI - 000 :	6 feet DVI cable
CAB - SVI - 000 :	6 feet S-Video cable
CAB - RCA - 000 :	6 feet Composite Video cable
CAB - COM - 000 :	6 feet Component Video cable sets
PWR - 5842BP - 000 :	88 - 267VAC input / 24VDC output power supply unit for ADM-5842BP