

Features

- > Compact Flash Type II Socket
- > ACP Enabled
- > Dual Drives For Data Logging
- > Fanless Cooling System
- > Dual Ethernet



2 x Gigabit



4x USB 2.0



4x RS-232



Fanless



MicroBox-7824

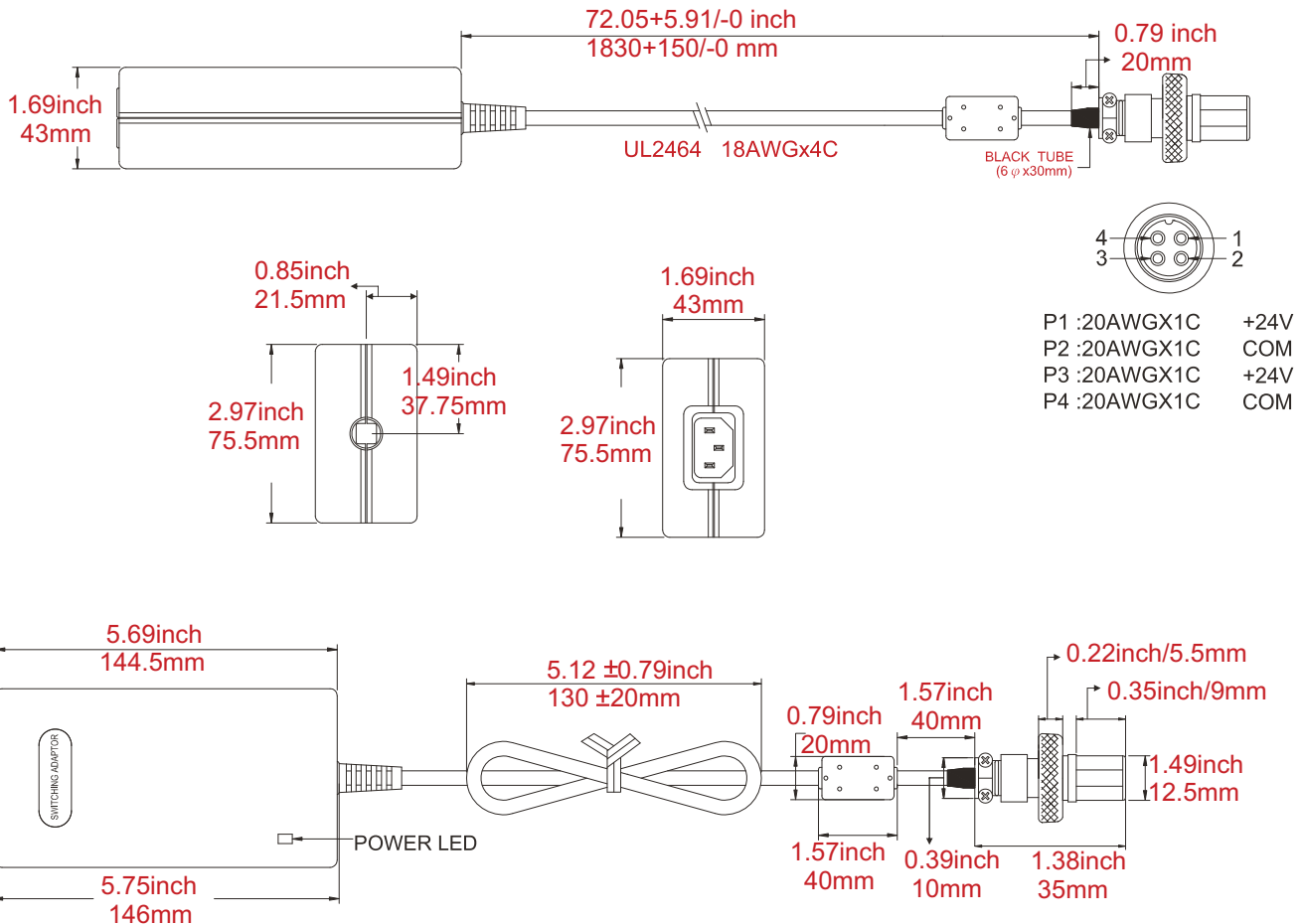
Specifications	MicroBox-7824A-A00	MicroBox-7824A-B00
System		
CPU	AMD Lx800 500MHz	Intel Atom N270 1.6GHz
Chipset	CS5536	945GSE & ICH7M
Memory	Up to 1GB DDR-333	Up to 2GB DDR2-533
Video Controller	CS5536 Integrated VGA	945GSE Integrated VGA
Video Interface	LVDS, VGA	LVDS, VGA
Storage Option	1 x 2.5" IDE HDD (Optional)	1 x 2.5" SATA HDD
Compact Flash	Optional CF	Optional CF
Keyboard/Mouse	2 x PS/2 Connectors (Y-Cable)	1 x KB/MS PS/2 Connector
Audio	Line in, Line Out, Mic-In	Line in, Line Out, Mic-In
Watchdog Timer	Programmable 1~255 sec	Programmable 1~255 sec
Expansion Slot	1 x PC/104	Mini PCI-Express
I/O Communication		
USB Port	4 x USB 2.0	5 x USB 2.0
Serial Port	3 x RS-232, 1 x RS-232/422/485	1 x RS-232/422/485 & 1 x RS232
IEEE 1394	N/A	N/A
LAN	2 x 10/ 100 mbps	Dual Gigabit
Parallel	1 x Port	N/A
OS Support		
OS Support	WinCE, Win XP Pro	Win CE, Win XP Pro
Power/Thermal Specs.		
Power Requirement (Max)	24VDC/1.0A, 110VAC/0.22A, 220VAC/0.11A	24VDC/1.0A, 110VAC/0.22A, 220VAC/0.11A
Power Consumption (Max)	24W	24W
Heat Dissipation	82 BTU/hr	82 BTU/hr
Physical Information		
Mounting	Wall Mount	Wall Mount
Net Weight	9 Lbs / 4 Kg	9 Lbs / 4 Kg
Physical Dimension(WxHxD)	8.84 x 5.50 x 2.89 inch 224.5 x 139.7 x 73.4 mm	8.84 x 5.50 x 2.89 inch 224.5 x 139.7 x 73.4 mm
Environmental		
Operating Temp	0°- 50°C (32°- 122°F)	0°- 50°C (32°- 122°F)
Storage Temp	-20°- 60°C (-4°- 140°F)	-20°- 60°C (-4°- 140°F)
Relative Humidity	0%- 95% (non-condensing)	0%- 95% (non-condensing)
Rating	NEMA 4/4X Bezel	NEMA 4/4X Bezel
Certification	UL508 NRAQ Programmable Controller	

MicroBox-7824 I/O Details

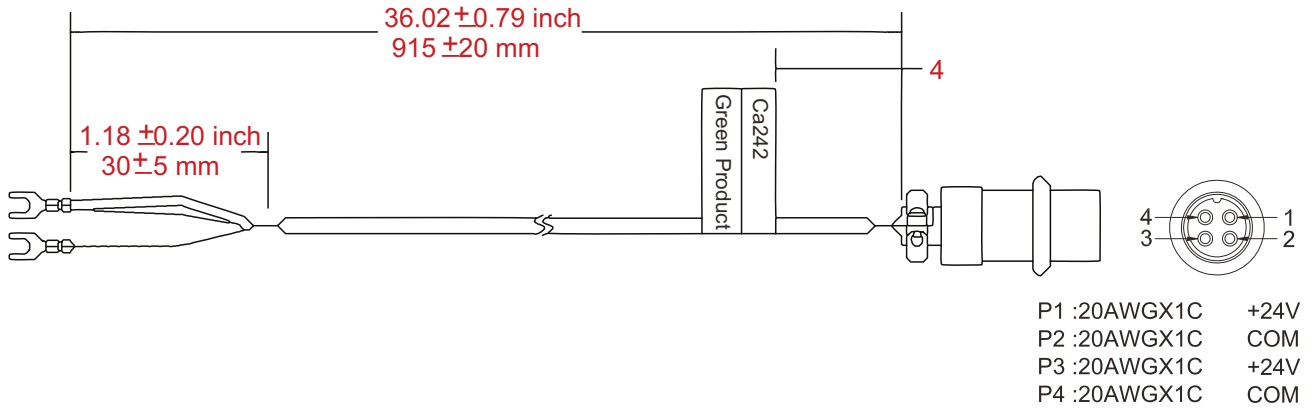


MicroBox-7824 Power Supply

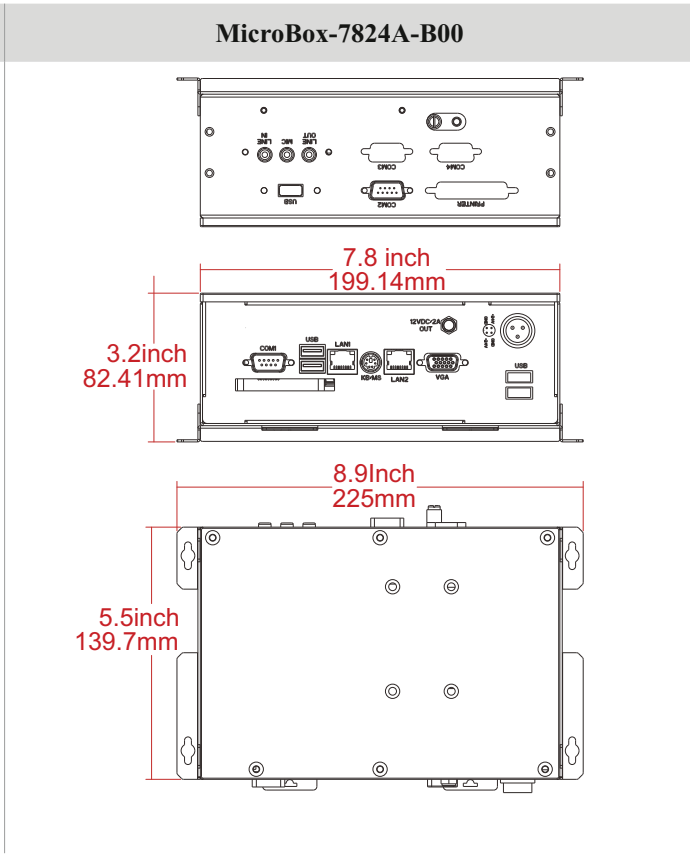
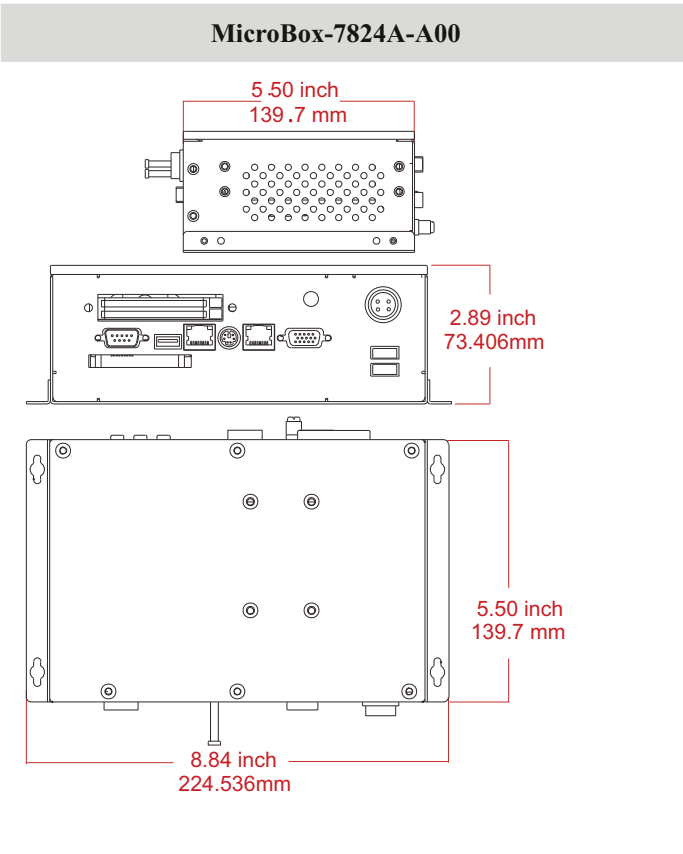
Model: PSA-066A-024 (110~220 VAC Input, 24 VDC Output power supply)



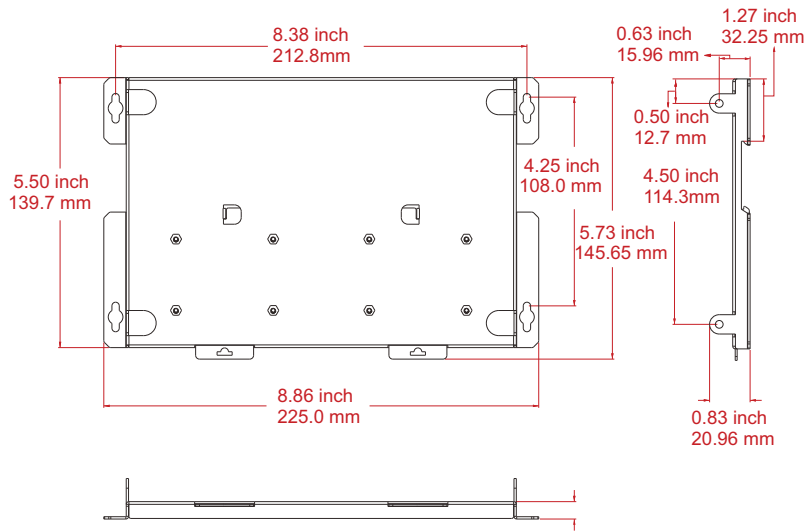
Model : CA242 (3 feet 24 VDC Input power cord)







DIN RAIL Mounting Bracket



Ordering Information	Standard		ACP Enabled			
MicroBox-7824A	MicroBox-7824A-A00-000	MicroBox-7824A-A00-001	MicroBox-7824A-A00-002	MicroBox-7824A-A00-003		
Front Bezel	NEMA 4/4x	DC 24V Input	110/220VAC Input	DC 24V Input	110/220VAC Input	
Memory	512MB DDR	ACP Enabled	N/A	N/A	Yes	Yes
		Storage	Optional	Optional	N/A	N/A
	MicroBox-7824A-B00-000	MicroBox-7824A-B00-001	MicroBox-7824A-B00-002	MicroBox-7824A-B00-003		
	DC 24V Input	110/220VAC Input	DC 24V Input	110/220VAC Input		
	ACP Enabled	N/A	N/A	Yes	Yes	
	Storage	Optional	Optional	N/A	N/A	