

Features

- > 500MHz AMD LX800
- > 256MB DDR400 SODIMM
- > Up to 512MB DDR400 available
- > CF Type II (up to 8GB optional)
- > ACP Enabled Version



4 x USB 2.0



1x RS-232



Fanless



AP-3200A-ACP



AP-3200A-ACP Specifications

System

CPU	500MHz AMD LX800
Chipset	CS5536
Memory	Up to 512MB DDR400
Video Controller	CS5536 integrated VGA
Video Interface	VGA
Storage Option	N/A
Compact Flash	Optional CF
Keyboard/Mouse	2 x PS / 2 Connectors
Audio	Line In/out , Mic
Watchdog Timer	N/A
Expansion Slot	N/A

I/O Communication

USB Port	4 x USB 2.0
Serial Port	1 x RS-232
IEEE 1394	N/A
LAN	1 x 10 / 100 M
Parallel	N/A

OS Support

OS Support	WinCE, Win XP
------------	---------------

Power/Thermal Specs.

Power Requirement (Max)	5VDC@5A
Power Consumption (Max)	25W
Heat Dissipation	85 BTU/hr

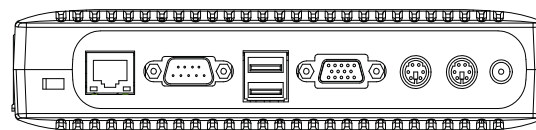
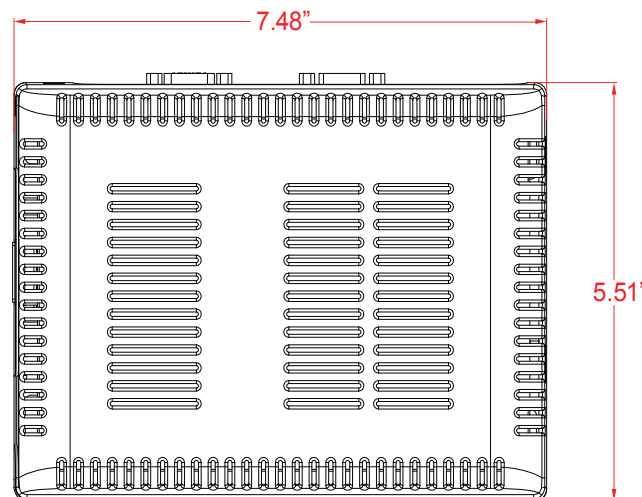
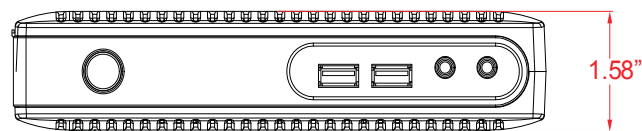
Physical Information

Mounting	Vesa Mount
Net Weight	1 Kg/ 2.2 lbs
Physical Dimension(WxHxD)	7.48 x 1.56 x 5.51 inch
	189.9 x 39.62 x 139.9 mm

Environmental

Operating Temp	0°~ 40°C (32°~ 104°F)
Storage Temp	-20°~ 60°C (-4°~ 140°F)
Relative Humidity	8%~ 90% RH non-condensing
Rating	
Certification	cUL, CE, FCC

AP-3200A-ACP Line Drawing



 **Ordering Information**

AP-3200A-ACP

CPU	500MHz AMD Lx800
Video Interface	VGA

AP-3200-A00-001

AP-3200-A00-002

Power supply	110/220VAC Input	110/220VAC Input
ACP Enabled	Yes	Yes
Memory	256MB DDR 400	512MB DDR 400

Features

- > Fanless Industrial Thin Client
- > Dual Monitor (VGA + DVI)
- > VIA 500MHz Eden ULV CPU
- > Up to 1GB DDR RAM
- > Up to 8GB CF Flash Memory
- > 1920 x 1440 Max Resolution
- > Gigabit Ethernet
- > ACP Enabled Version



4 x USB 2.0



1x RS-232



Fanless



AP-3300A-ACP

AP-3300A-ACP Specifications

System

CPU	VIA 500MHz Eden ULV CPU
Chipset	VIA CN896
Memory	Up to 2GB DDR-2 Memory
Video Controller	VIA CN896 Integrated VGA
Video Interface	VGA
Resolution	1920 x 1440
Compact Flash	Optional CF
Keyboard/Mouse	2 x PS / 2 Connectors
Audio	Line out , Mic
Watchdog Timer	N/A
Expansion Slot	1 x Mini PCIe Slot

I/O Communication

USB Port	4 x USB 2.0
Serial Port	N/A
IEEE-1394	N/A
LAN	Gigabit Ethernet
Parallel	N/A

OS Support

OS Support	N/A (ACP ThinManager 4.0)
------------	---------------------------

Power/Thermal Specs.

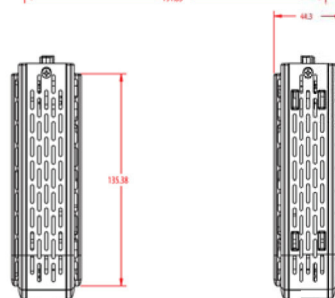
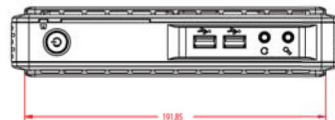
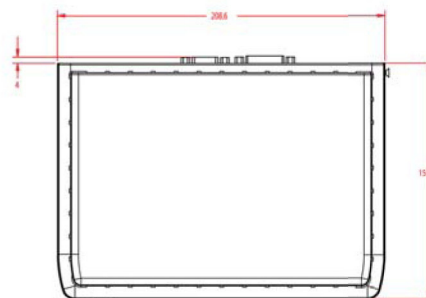
Power Requirement (Max)	12VDC @ 3.75 A
Power Consumption (Max)	20 W
Heat Dissipation	69 BTU/hr


Physical Information

Mounting	Panel Mount
Net Weight	1.89 Lbs / 0.86 Kg
Physical Dimension(WxHxD)	8.5 x 6.2 x 3.3 inch / 215.9 x 157.4 x 84.5 mm
Cutout Dimension(WxH)	7.61 x 5.29 inch / 193.2 x 134.3 mm

Environmental

Operating Temp	0°~ 40°C (32°~ 112°F)
Storage Temp	-20°~ 60°C (-4°~ 140°F)
Relative Humidity	0%~ 95% (non-condensing)
Rating	N/A
Certification	



 Ordering Information

AP-3300A-ACP

CPU	VIA 500MHz
Memory	512MB DDR-2
Video Interface	VGA

[AP-3300-A00-000](#)

Power supply	110/220VAC Input
ACP Enabled	Yes
DVI	Yes

Features

- > 667MHz VIA® Eden
- > 512MB PC133 SODIMM
- > Up to 160GB 2.5" SATA HDD
- > CF Type II (up to 8GB optional)
- > ACP Enabled Version



MicroBox-6824A-ACP

MicroBox-6824A-ACP Specifications

System

CPU	667MHz VIA Eden processor
Chipset	
Memory	512MB of PC133 SODIMM RAM
Video Controller	Integrated VGA
Video Interface	VGA
Storage Option	1x 2.5" SATA HDD
Compact Flash	Optional CF
Keyboard/Mouse	1x KB/MS port
Audio	Line in, Line Out, Mic-In
Watchdog Timer	Programmable 1~255 sec
Expansion Slot	N/A

I/O Communication

USB Port	2 x USB 2.0
Serial Port	3x RS-232, 1x RS-232/422/485
IEEE 1394	N/A
LAN	1 x 10/100M
Parallel	1x Port

OS Support

OS Support	Win Xp
------------	--------

Power/Thermal Specs.

Power Requirement (Max)	24VDC/1.0A, 110VAC/0.22A, 220VAC/0.11A
Power Consumption (Max)	24W
Heat Dissipation	82 BTU/hr

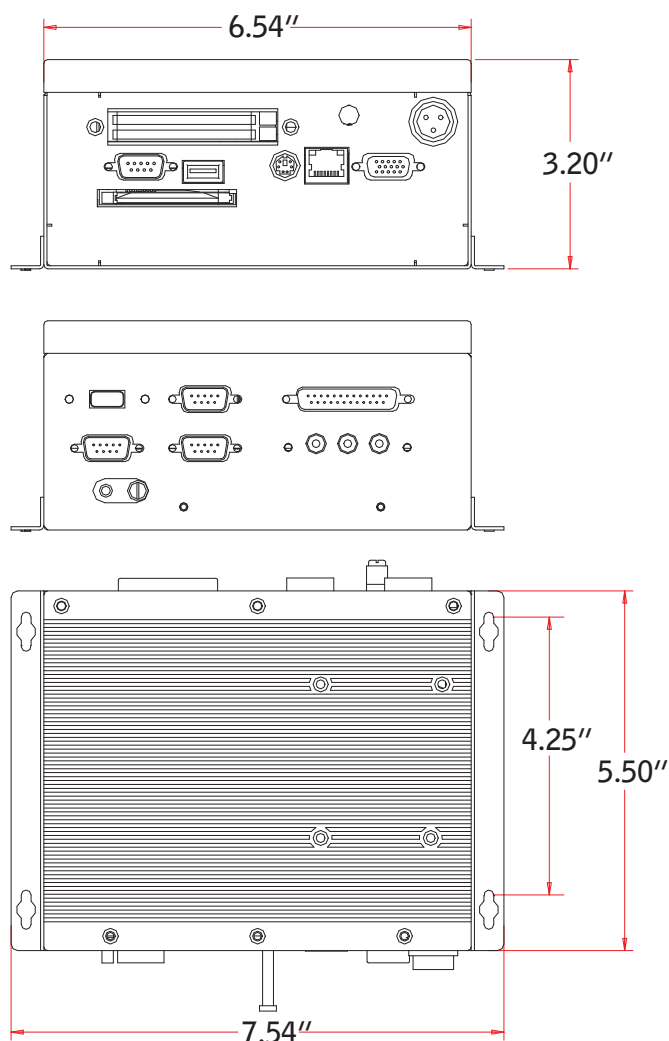
Physical Information

Mounting	Wall Mounting
Net Weight	8Lbs / 3.5 Kg
Physical Dimension(WxHxD)	7.54 x 3.20 x 5.50 inch 191.51 x 81.28 x 139.7 mm

Environmental

Operating Temp	0°~ 50°C (32°~ 122°F)
Storage Temp	-20°~ 80°C (-4°~ 176°F)
Relative Humidity	0%~ 90% RH (non-condensing)
Rating	NEMA 4/4X Bezel
Certification	cUL, CE, FCC

MicroBox-6824A-ACP Line Drawing




Ordering Information
MicroBox-6824A

CPU	AMD 500MHz LX-800
Memory	512MB DDR

MicroBox-6824A-A00-002 MicroBox-6824A-A00-003

Power Supply	DC 24V Input	110/220VAC Input
ACP Enabled	Yes	Yes
Storage	N/A	N/A

Features

- > AMD LX 800 Processor
- > Up to 1 GB DDR-333 SO-DIMM
- > Compact Flash Type II Socket
- > 2.5" IDE HDD Option
- > Dual Drives For Data Logging
- > One PC/104 Slot
- > ACP Enabled Version Available



MicroBox-7824A-ACP

MicroBox-7824A-ACP Specifications

System

CPU	AMD Lx800 500MHz
Chipset	CS5536
Memory	Up to 1GB DDR-333
Video Controller	CS5536 Integrated VGA
Video Interface	VGA
Storage Option	1x 2.5" IDE HDD (optional)
Compact Flash	Optional CF
Keyboard/Mouse	2 x PS / 2 Connectors (Y-Cable)
Audio	Line in, Line Out, Mic-In
Watchdog Timer	Programmable 1~255 sec
Expansion Slot	1 x PC/104

I/O Communication

USB Port	4 x USB 2.0
Serial Port	3x RS-232, 1x RS-232/422/485
IEEE 1394	N/A
LAN	2 x 10 / 100 mbps
Parallel	1x Port

OS Support

OS Support	WinCE
------------	-------

Power/Thermal Specs.

Power Requirement (Max)	24VDC/1.0A, 110VAC/0.22A, 220VAC/0.11A
Power Consumption (Max)	24 W
Heat Dissipation	82 BTU/hr

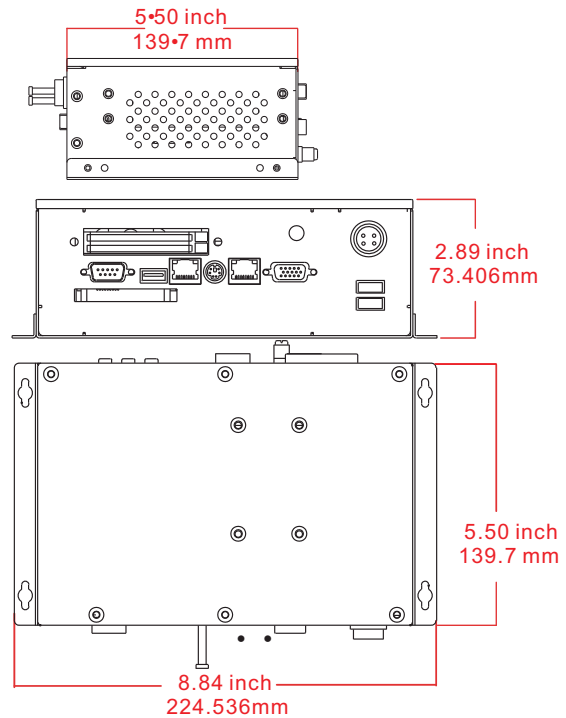
Physical Information

Mounting	Wall Mount
Net Weight	9 Lbs / 4 Kg
Physical Dimension(WxHxD)	8.84 x 5.50 x 2.89 inch 224.5 x 139.7 x 73.4 mm

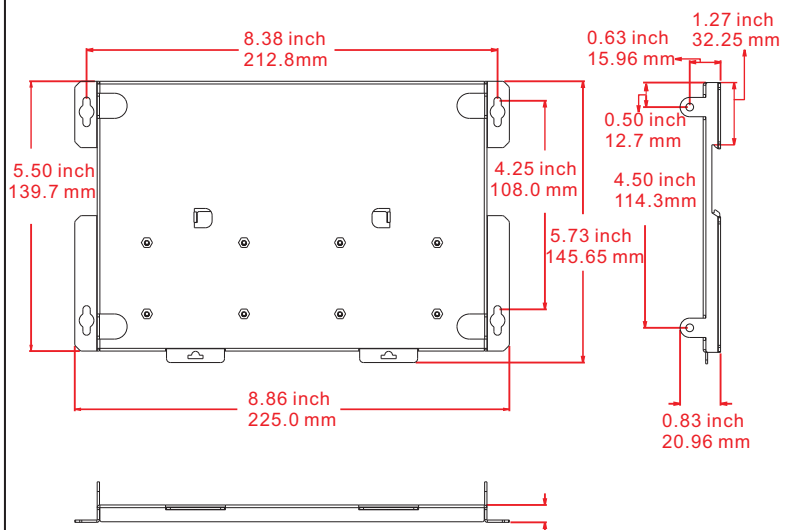
Environmental

Operating Temp	0°~ 50°C (32°~ 122°F)
Storage Temp	-20°~ 60°C (-4°~ 140°F)
Relative Humidity	0%~ 95% (non-condensing)
Rating	NEMA 4/4X Bezel
Certification	UL508 NRAQ Programmable Controller

MicroBox-7824A-ACP Line Drawing

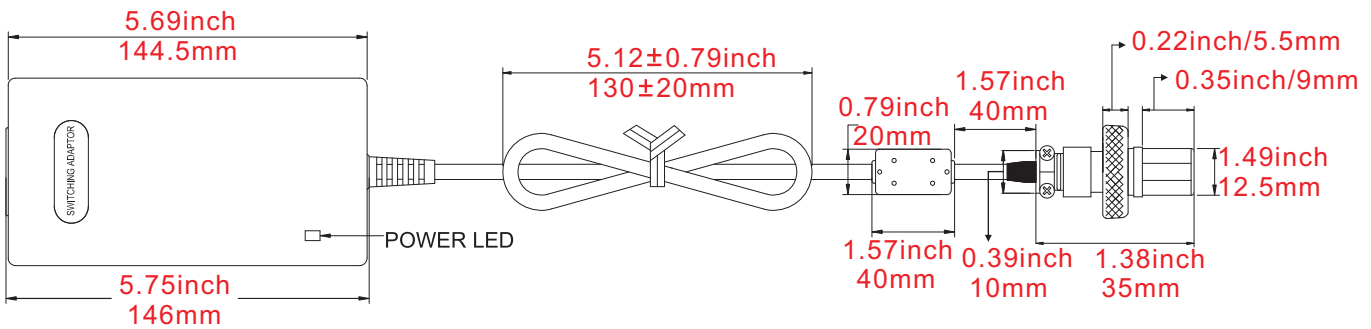
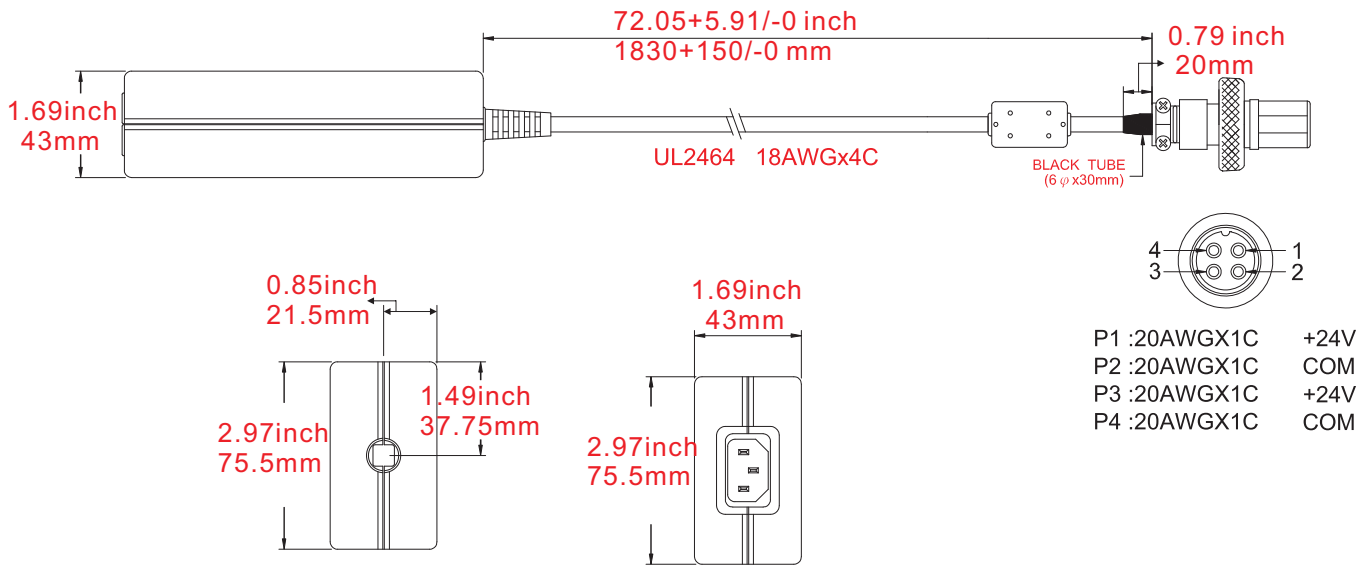


DIN RAIL Mounting Bracket

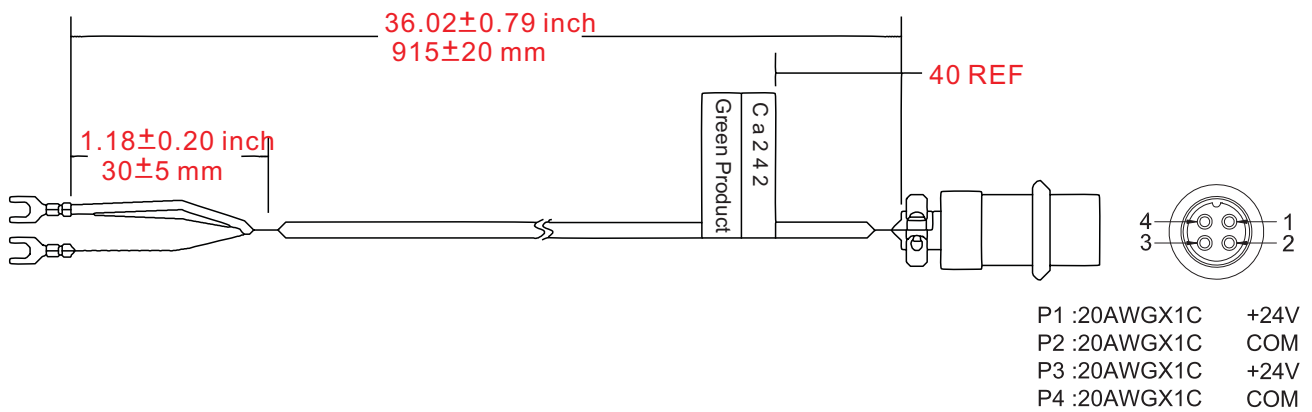


MicroBox-7824A-ACP Power Supply

Model: PSA-066A-024 (110~220 VAC Input, 24 VDC Output power supply)



Model : CA242 (3 feet 24 VDC Input power cord)



 **Ordering Information****MicroBox-7824A-ACP**

CPU	AMD 500MHz LX-800
Memory	512MB DDR

MicroBox-7824A-A00-002**MicroBox-7824A-A00-003**

Power Supply	DC 24V Input	110/220VAC Input
ACP Enabled	Yes	Yes
Storage	N/A	N/A

Features

- > Fanless Design
- > Meets IP50 rating requirements
- > VIA 1.5 GHz C7 CPU
- > Supports DDR-400 Memory up to 1GB
- > Dual Gigabit Ethernet
- > 1 x VGA display output
- > 1 x PCI expansion slot
- > Capable to support up to 3 x monitors
- > ACP Enabled Version



2x Gigabit



4x USB 2.0



6x RS-232



Fanless



Protection against dust



BoxPC-140A-ACP



VIA® C7



BoxPC-140A-ACP Specifications

System

CPU	VIA 1.5GHz C7 CPU
Chipset	VIA CN700
Memory	DDR-400 up to 1GB
Video Controller	CN700 Integrated S3 Graphic Engine
Video Interface	VGA
Storage Option	1 x 2.5" SATA HDD(Optional)
Compact Flash	Type II CF Slot
Keyboard/Mouse	2 x PS / 2 connectors
Audio	Line in, Line Out, Mic-In
Watchdog Timer	Programmable 1~255 sec
Expansion Slot	1 x PCI

I/O Communication

USB Port	4 x USB 2.0
Serial Port	5 x (RS-232), 1 x (RS-232/422/485)
IEEE 1394	N/A
LAN	Dual Gigabit LAN
Parallel	1 x Port

OS Support

OS Support	WinXP Pro, XPe
------------	----------------

Power/Thermal Specs.

Power Requirement (Max)	24VDC / 2.7A
Power Consumption (Max)	65 W
Heat Dissipation	221 BTU/hr

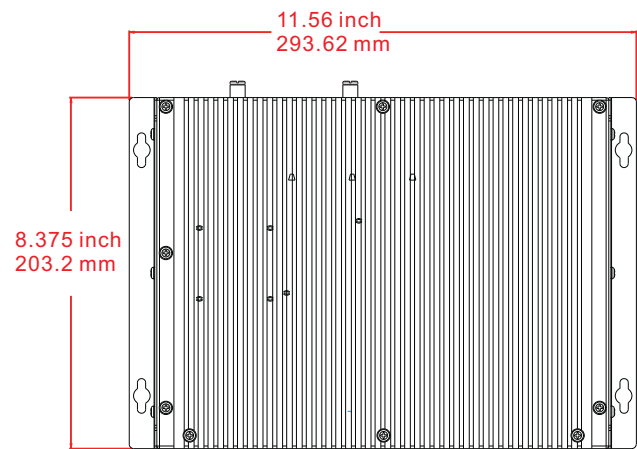
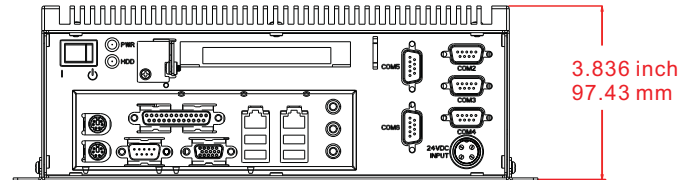
Physical Information

Mounting	Wall Mount
Net Weight	5 Lbs / 4 Kg
Physical Dimension (W x H x D)	11.56 x 8.38 x 3.84 inch 293.6 x 203.2 x 97.4 mm

Environmental

Operating Temp	0° ~ 50°C (32° ~ 122°F)
Storage Temp	-20° ~ 60°C (-4° ~ 140°F)
Relative Humidity	0% ~ 95% (non-condensing)
Rating	IP50
Certification	

BoxPC-140A-ACP Line Drawing



- 1 = LED
- 2 = PCI
- 3 = Parallel Port
- 4 = PS2/Mouse
- 5 = PS2/Keyboard
- 6 = RS-232
- 7 = RS-232
- 8 = RJ-45 Ethernet
- 9 = Audio
- 10 = USB 2.0



Features

- > Fanless Design
- > Meets IP50 rating requirements
- > VIA 1.5 GHz C7 CPU
- > Supports DDR-400 Memory up to 1 GB
- > Dual Gigabit Ethernet
- > 2 x PCI slots
- > Capable to support up to 5 x monitors
- > ACP Enabled Version



2x Gigabit



4x USB 2.0



6x RS-232



Fanless



Protection against dust



BoxPC-240A-ACP



VIA® C7



BoxPC-240A-ACP Specifications

System

CPU	VIA 1.5GHz C7 CPU
Chipset	VIA CN 700
Memory	DDR-400 up to 1 GB
Video Controller	CN700 Integrated S3 Graphic Engine
Video Interface	VGA
Storage Option	1 x 2.5" SATA HDD(Optional)
Compact Flash	Type II CF Slot
Keyboard/Mouse	2 x PS / 2 connectors
Audio	Line in, Line Out, Mic-In
Watchdog Timer	Programmable 1~255 sec
Expansion Slot	2 x PCI

I/O Communication

USB Port	4 x USB 2.0
Serial Port	5 x (RS-232), 1 x (RS-232/422/485)
IEEE 1394	N/A
LAN	Dual Gigabit LAN
Parallel	1 x Port

OS Support

OS Support	WinXP Pro, XPe
------------	----------------

Power/Thermal Specs.

Power Requirement (Max)	24VDC / 3.0A
Power Consumption (Max)	70 W
Heat Dissipation	238 BTU/hr

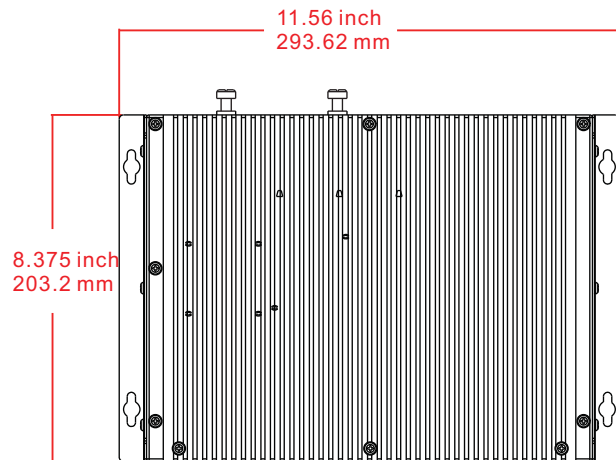
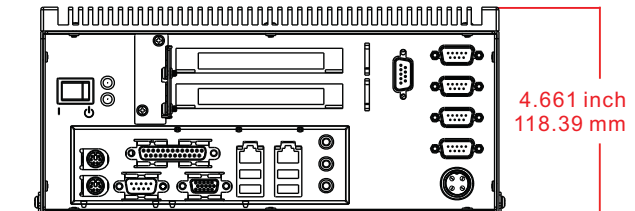
Physical Information

Mounting	Wall Mount
Net Weight	11 Lbs / 5Kg
Physical Dimension (W x H x D)	11.56 x 8.375 x 4.661 inch 293.6 x 203.2 x 118.4 mm

Environmental

Operating Temp	0°C ~ 50°C (32°F ~ 122°F)
Storage Temp	-20°C ~ 60°C (-4°F ~ 140°F)
Relative Humidity	0% ~ 95% (non-condensing)
Rating	IP50
Certification	

BoxPC-240A-ACP Line Drawing



- 1 = LED
- 2 = PCI
- 3 = Parallel Port
- 4 = PS2/Mouse
- 5 = PS2/Keyboard
- 6 = RS-232
- 7 = RS-232
- 8 = RJ-45 Ethernet
- 9 = Audio
- 10 = USB 2.0



Features

- > Fanless Design
- > Meets IP50 rating requirements
- > Supports Intel Core 2 Duo Mobile CPU
- > Supports DDR2-667 Memory up to 4GB
- > Dual Gigabit Ethernet
- > 1 x VGA, 1 x DVI display output
- > Dual field-removable 2.5" SATA HDD
- > 2 x PCI expansion slots
- > Built-in dual IEEE 1394B
- > ACP Enabled Version



BoxPC-238D-ACP



2x Gigabit



4x USB 2.0



4x RS-232



Fanless



Protection against dust



VGA output



DVI output

BoxPC-238D-ACP Specifications

System

CPU	Core 2 Duo Mobile
Chipset	GME965+ICH8M
Memory	DDR2-667 up to 4GB
Video Controller	GME965 GMA X3100
Video Interface	VGA, DVI
Storage Option	UP to 2 x 2.5" SATA HDD, RAID 0/1 support
Compact Flash	Type II CF Slot
Keyboard/Mouse	2 x PS / 2 connectors
Audio	Line in, Line Out, Mic-In
Watchdog Timer	Programmable 1~255 sec
Expansion Slot	2 x PCI

I/O Communication

USB Port	4 x USB 2.0
Serial Port	3 x (RS-232), 1 x (RS-232/422/485)
IEEE 1394	2 x IEEE1394B (optional)
LAN	Dual Gigabit LAN
Parallel	N/A

OS Support

OS Support	WinXP Pro
------------	-----------

Power/Thermal Specs.

Power Requirement (Max)	24VDC / 4.6A
Power Consumption (Max)	110 W
Heat Dissipation	375 BTU/hr

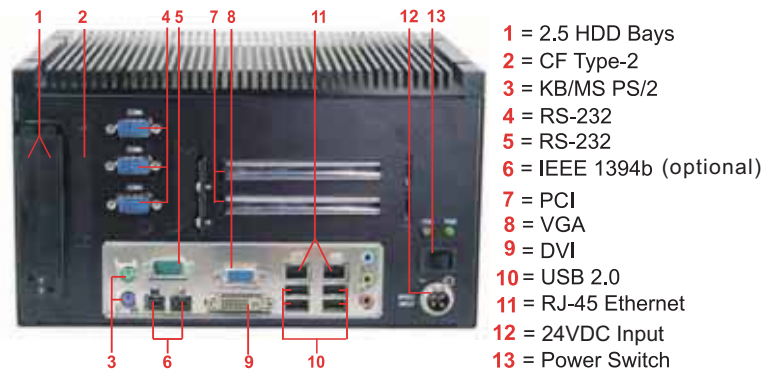
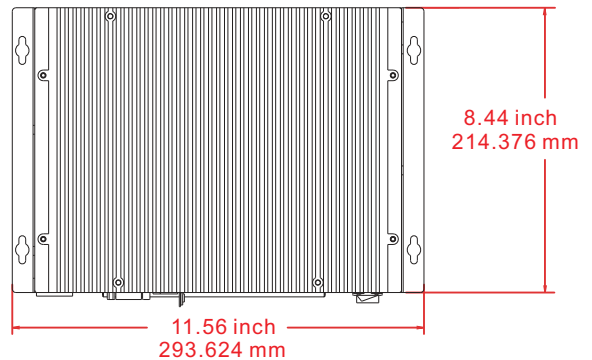
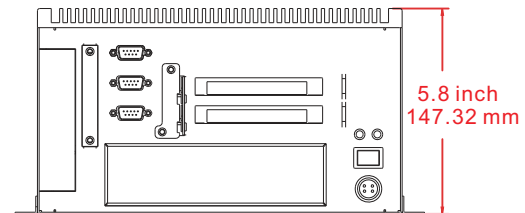
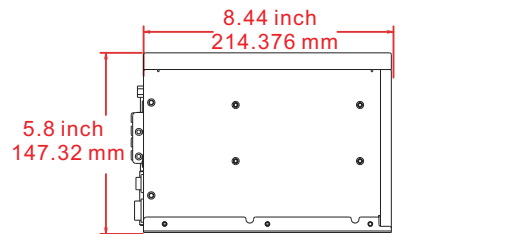
Physical Information

Mounting	Wall Mount
Net Weight	11 Lbs / 5Kg
Physical Dimension (W x H x D)	11.56 x 8.44 x 5.8 inch 293.6 x 214.4 x 147.3 mm

Environmental

Operating Temp	0° ~ 50°C (32° ~ 122°F)
Storage Temp	-20° ~ 60°C (-4° ~ 140°F)
Relative Humidity	0% ~ 95% (non-condensing)
Rating	IP50
Certification	

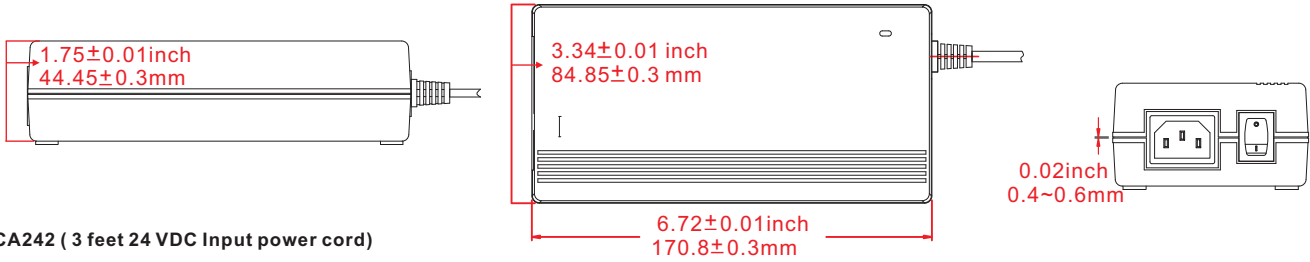
BoxPC-238D-ACP Line Drawing



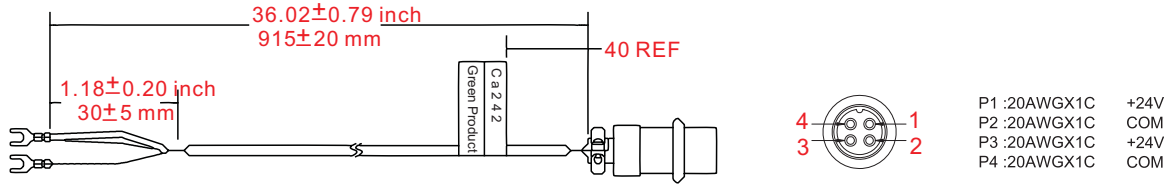
- 1 = 2.5 HDD Bays
- 2 = CF Type-2
- 3 = KB/MS PS/2
- 4 = RS-232
- 5 = RS-232
- 6 = IEEE 1394b (optional)
- 7 = PCI
- 8 = VGA
- 9 = DVI
- 10 = USB 2.0
- 11 = RJ-45 Ethernet
- 12 = 24VDC Input
- 13 = Power Switch

Box-238D-ACP Series Power Supply

Model : PSA-150A-024 (110~220 VAC Input, 24VDC Output power supply)

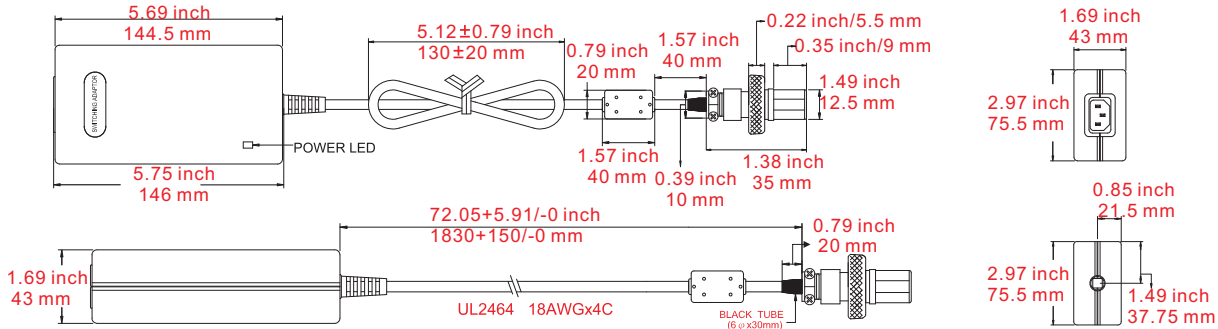


Model : CA242 (3 feet 24 VDC Input power cord)

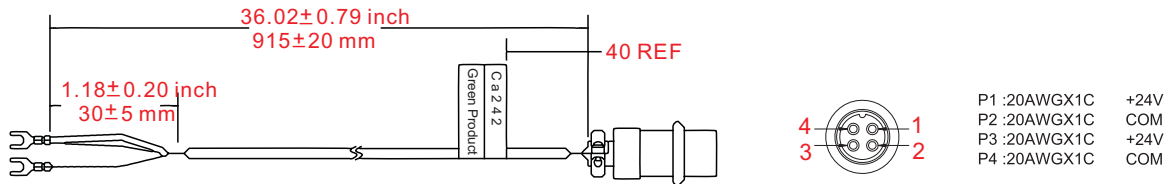


BoxPC-140A-ACP/240A-ACP Power Supply

Model:PSA-066A-024 (110~220 VAC Input, 24 VDC Output power supply)



Model : CA242 (3 feet 24 VDC Input power cord)



Accessories Options

Accessories	Description
XP Pro :	Windows XP Pro Operating System
XPe :	Windows XP Embedded Operating System
CA242 :	3 feet 24 VDC Input power cord
PSA-150A-024 :	110~220VAC Input, 24 VDC Output 150W Power Adaptor
APM-004 :	PSA-150A-024 Power Adaptor Mounting Bracket

Ordering Information

BoxPC-140A-ACP		BoxPC-140A-A00-002	BoxPC-140A-A00-003
CPU	VIA 1.5GHz C7	Storage	N/A
Memory	1 GB DDR	PCI Slot	N/A
		VGA Output	3
		Power Supply	DC 24V Input
		ACP Enabled	110 / 220 VAC Input
			Yes

BoxPC-240A-ACP		BoxPC-240A-A00-002	BoxPC-240A-A00-003
CPU	VIA 1.5GHz C7	Storage	N/A
Memory	1 GB DDR	PCI Slot	N/A
		VGA Output	5
		Power Supply	DC 24V Input
		ACP Enabled	110/220VAC Input
			Yes

BoxPC-238D-ACP		BoxPC-238D-D00-002	BoxPC-238D-D00-003
CPU	1.83 GHz Core 2 Duo Mobile	Storage	N/A
Memory	2 GB DDR2-667	PCI Slot	N/A
		VGA Output	5
		DVI Output	1
		Power Supply	DC 24V Input
		ACP Enabled	110 / 220 VAC Input
			Yes

Features

- > 6.4 inch Active Matrix TFT LCD
- > 5 Wire Resistive Touch Screen
- > AMD LX 800 Processor
- > Up to 1 GB DDR-333 SO-DIMM
- > Compact Flash Type II Socket
- > 2.5" IDE HDD Drive Option
- > Dual Drives For Data Logging
- > One PC/104 Slot
- > ACP Enabled Version Available



ARP-3606A-ACP



ARP-3606A-ACP Specifications

LCD Panel

Display size (Diagonal)	6.4 inch
Resolution	640 x 480
Backlight Lifetime*	50,000 hours

Visual Characteristics

Colors	262K
Aspect ratio	4 : 3
Viewing angle(V/H)	120° / 140°
Response time(Typical)*	25 ms
Pixel Pitch(mm)*	0.207 x 0.207
Contrast ratio	600 : 1
Brightness	400 nits

Touch Screen

Technology	5 Wire Resistive
Touch rating	35 Million Touches
MTBF	490,000 hours
Interface	RS-232
Driver	WinCE

Front Bezel

NEMA 4	Black Powder Coated
NEMA 4X	Stainless Steel

System

CPU	AMD Lx800 500MHz
Chipset	CS5536
Memory	Up to 1GB DDR-333
Video Controller	CS5536 Integrated VGA
Video Interface	LVDS, VGA
Storage Option	1 x 2.5" IDE HDD
Compact Flash	Optional CF
Keyboard/Mouse	2 x PS / 2 Connectors (Y-Cable)
Audio	N/A
Watchdog Timer	Programmable 1~255 sec
Expansion Slot	1 x PC/104

I/O Communication

USB Port	3 x USB 2.0
Serial Port	1 x RS-232, 1x RS-232/422/485
IEEE 1394	N/A
LAN	2 x 10 / 100 mbps
Parallel	N/A

OS Support

OS Support	WinCE
------------	-------

Power/Thermal Specs.

Power Requirement (Max)	24VDC/1.2A, 110VAC/0.26A, 220VAC/0.13A
Power Consumption (Max)	27 W
Heat Dissipation	92 BTU/hr

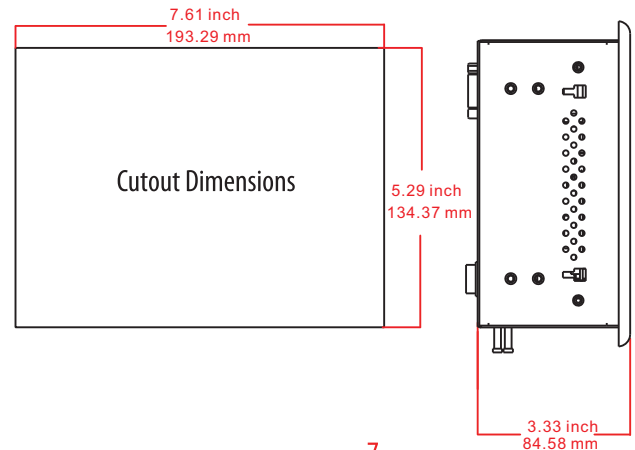
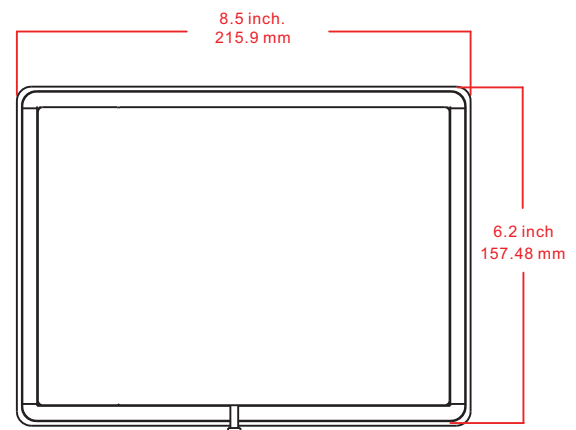
Physical Information

Mounting	Panel Mount
Net Weight	5 Lbs / 2 Kg
Physical Dimension(WxHxD)	8.5 x 6.2 x 3.3 inch / 215.9 x 157.4 x 84.5 mm
Cutout Dimension(WxH)	7.61 x 5.29 inch / 193.2 x 134.3 mm

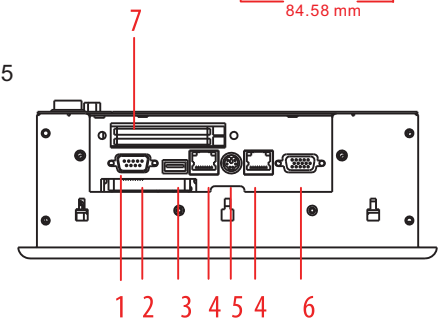
Environmental

Operating Temp	0°~ 50°C (32°~ 122°F)
Storage Temp	-20°~ 60°C (-4°~ 140°F)
Relative Humidity	0%~ 95% (non-condensing)
Rating	NEMA 4/4X Bezel
Certification	UL508 NRAQ Programmable Controller

ARP-3606A-ACP Line Drawing

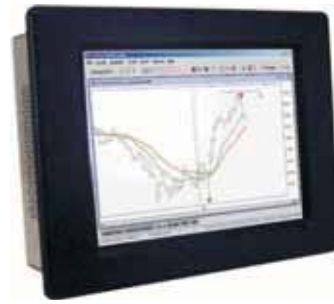


- 1=RS-232/422/485
- 2=CF Type II Slot
- 3=USB 2.0
- 4=Ethernet Ports
- 5=PS/2KB/MS
- 6=VGA Port
- 7=PC/104



Features

- > 8.4 inch Active Matrix TFT LCD
- > 5 Wire Resistive Touch Screen
- > AMD LX 800 Processor
- > Up to 1 GB DDR-333 SO-DIMM
- > Compact Flash Type II Socket
- > 2.5" IDE HDD Option
- > Dual Drives For Data Logging
- > One PC/104 Slot
- > ACP Enabled Version Available



ARP-3608A-ACP



ARP-3608A-ACP Specifications

LCD Panel

Display size (Diagonal)	8.4 inch
Resolution	800 x 600
Backlight Lifetime*	50,000 hours

Visual Characteristics

Colors	262K
Aspect ratio	4 : 3
Viewing angle(V/H)	100° / 120°
Response time(Typical)	35 ms
Pixel Pitch(mm)*	0.213 x 0.213
Contrast ratio	600 : 1
Brightness	450 nits

Touch Screen

Technology	5 Wire Resistive
Touch rating	35 Million Touches
MTBF	490,000 hours
Interface	RS-232
Driver	WinCE

Front Bezel

NEMA 4	Black Powder Coated
NEMA 4X	Stainless Steel

System

CPU	AMD Lx800 500MHz
Chipset	CS5536
Memory	Up to 1GB DDR-333
Video Controller	CS5536 Integrated VGA
Video Interface	LVDS, VGA
Storage Option	1x 2.5" IDE HDD (optional)
Compact Flash	Optional CF
Keyboard/Mouse	2 x PS / 2 Connectors (Y-Cable)
Audio	N/A
Watchdog Timer	Programmable 1~255 sec
Expansion Slot	1 x PC/104

I/O Communication

USB Port	3 x USB 2.0
Serial Port	2 x RS-232, 1x RS-232/422/485
IEEE 1394	N/A
LAN	2 x 10 / 100 mbps
Parallel	1x Port

OS Support

OS Support	WinCE
------------	-------

Power/Thermal Specs.

Power Requirement (Max)	24VDC/1.2A, 110VAC/0.26A, 220VAC/0.13A
Power Consumption (Max)	28 W
Heat Dissipation	96 BTU/hr

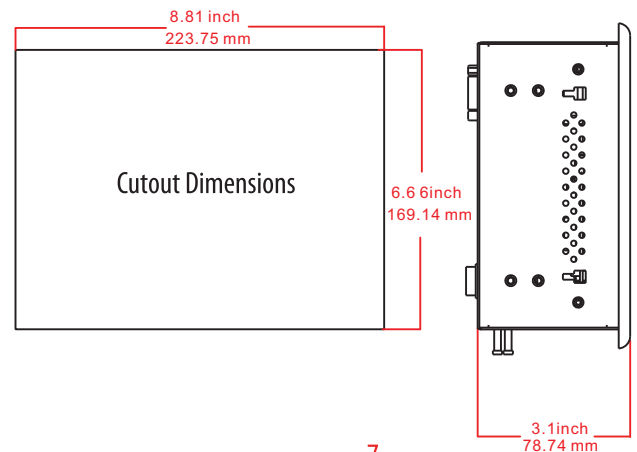
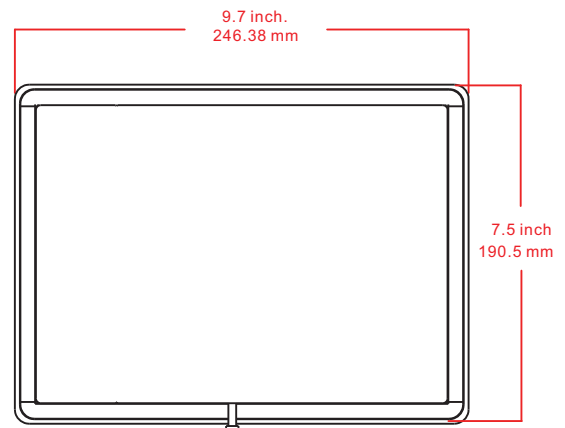
Physical Information

Mounting	Panel Mount
Net Weight	7 Lbs / 3 Kg
Physical Dimension(WxHxD)	9.70 x 7.50 x 3.10 inch / 246.3 x 190.5 x 78.7 mm
Cutout Dimension(WxH)	8.81 x 6.66 inch / 223.7 x 169.1 mm

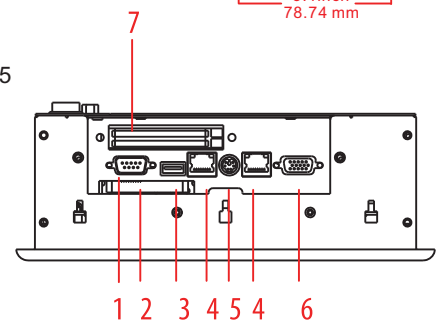
Environmental

Operating Temp	0°~ 50°C (32°~ 122°F)
Storage Temp	-20°~ 60°C (-4°~ 140°F)
Relative Humidity	0%~ 95% (non-condensing)
Rating	NEMA 4/4X Bezel
Certification	UL508 NRAQ Programmable Controller

ARP-3608A-ACP Line Drawing



- 1=RS-232/422/485
- 2=CF Type II Slot
- 3=USB 2.0
- 4=Ethernet Ports
- 5=PS/2KB/MS
- 6=VGA Port
- 7=PC/104



Features

- > 10.4 inch Active Matrix TFT LCD
- > 5 Wire Resistive Touch Screen
- > AMD LX 800 Processor
- > Up to 1 GB DDR-333 SO-DIMM
- > Compact Flash Type II Socket
- > 2.5" IDE HDD Option
- > Dual Drives For Data Logging
- > One PC/104 Slot
- > ACP Enabled Version Available



ARP-3610A-ACP



ARP-3610A-ACP Specifications

LCD Panel

Display size (Diagonal)	10.4 inch
Resolution	800 x 600
Backlight Lifetime*	50,000 hours

Visual Characteristics

Colors	262K
Aspect ratio	4 : 3
Viewing angle(V/H)	120° / 140°
Response time(Typical)	25 ms
Pixel Pitch(mm)*	0.264 x 0.264
Contrast ratio	500 : 1
Brightness	400 nits

Touch Screen

Technology	5 Wire Resistive
Touch rating	35 Million Touches
MTBF	490,000 hours
Interface	RS-232
Driver	WinCE

Front Bezel

NEMA4	Black Powder Coated
NEMA4X	Stainless Steel

System

CPU	AMD Lx800 500MHz
Chipset	CS5536
Memory	Up to 1GB DDR-333
Video Controller	CS5536 Integrated VGA
Video Interface	LVDS, VGA
Storage Option	1x 2.5" IDE HDD (optional)
Compact Flash	Optional CF
Keyboard/Mouse	2 x PS / 2 Connectors (Y-Cable)
Audio	N/A
Watchdog Timer	Programmable 1~255 sec
Expansion Slot	1 x PC/104

I/O Communication

USB Port	3 x USB 2.0
Serial Port	2 x RS-232, 1x RS-232/422/485
IEEE1394	N/A
LAN	2 x 10 / 100 mbps
Parallel	1x Port

OS Support

OS Support	WinCE
------------	-------

Power/Thermal Specs.

Power Requirement (Max)	24VDC/1.2A, 110VAC/0.26A, 220VAC/0.13A
Power Consumption (Max)	28 W
Heat Dissipation	96 BTU/hr

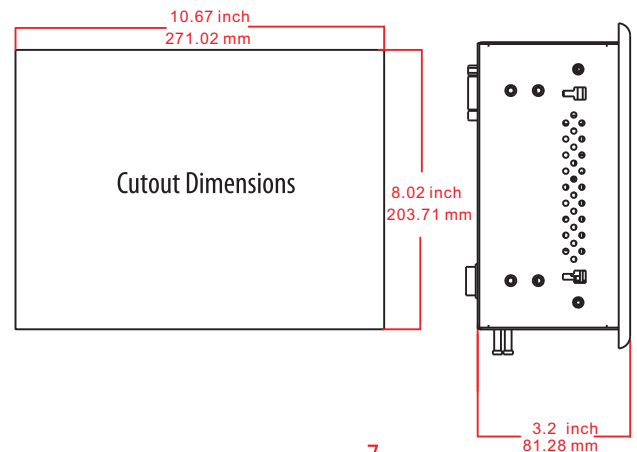
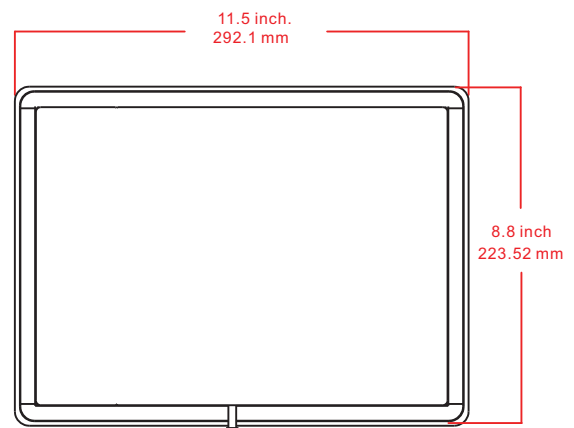
Physical Information

Mounting	Panel Mount
Net Weight	7 Lbs / 3 Kg
Physical Dimension(WxHxD)	11.50 x 8.80 x 3.20 inch / 292.1 x 223.5 x 81.2 mm
Cutout Dimension(WxH)	10.67 x 8.02 inch / 271.0 x 203.7 mm

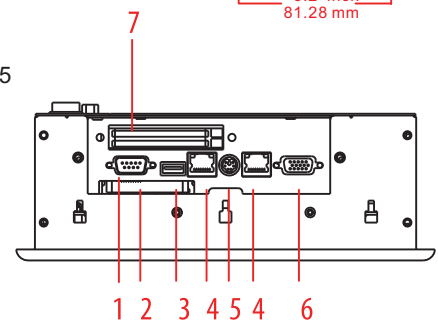
Environmental

Operating Temp	0°~ 50°C (32°~ 122°F)
Storage Temp	-20°~ 60°C (-4°~ 140°F)
Relative Humidity	0%~ 95% (non-condensing)
Rating	NEMA 4/4X Bezel
Certification	UL508 NRAQ Programmable Controller

ARP-3610A-ACP Line Drawing



- 1=RS-232/422/485
- 2=CF Type II Slot
- 3=USB 2.0
- 4=Ethernet Ports
- 5=PS/2KB/MS
- 6=VGA Port
- 7=PC/104



Features

- > 12.1 inch Active Matrix TFT LCD
- > 5 Wire Resistive Touch Screen
- > AMD LX 800 Processor
- > Up to 1 GB DDR-333 SO-DIMM
- > Compact Flash Type II Socket
- > 2.5" IDE HDD Option
- > Dual Drives For Data Logging
- > One PC/104 Slot
- > ACP Enabled Version Available



ARP-3612A-ACP



ARP-3612A-ACP Specifications

LCD Panel

Display size (Diagonal)	12.1 inch
Resolution	800 x 600
Backlight Lifetime*	50,000 hours

Visual Characteristics

Colors	262K
Aspect ratio	4 : 3
Viewing angle(V/H)	110° / 140°
Response time(Typical)	35 ms
Pixel Pitch(mm)	0.3075 x 0.3075
Contrast ratio	500 : 1
Brightness	400 nits

Touch Screen

Technology	5 Wire Resistive
Touch rating	35 Million Touches
MTBF	490,000 hours
Interface	RS-232
Driver	WinCE

Front-Bezel

NEMA-4	Black Powder Coated
NEMA-4X	Stainless Steel

System

CPU	AMD Lx800 500MHz
Chipset	CS5536
Memory	Up to 1GB DDR-333
Video Controller	CS5536 Integrated VGA
Video Interface	LVDS, VGA
Storage Option	1x 2.5" IDE HDD (optional)
Compact Flash	Optional CF
Keyboard/Mouse	2 x PS / 2 Connectors (Y-Cable)
Audio	N/A
Watchdog Timer	Programmable 1~255 sec
Expansion Slot	1 x PC/104

I/O Communication

USB Port	3 x USB 2.0
Serial Port	2 x RS-232, 1x RS-232/422/485
IEEE-1394	N/A
LAN	2 x 10 / 100 mbps
Parallel	1x Port

OS Support

OS Support	WinCE
------------	-------

Power/Thermal Specs.

Power Requirement (Max)	24VDC/1.3A, 110VAC/0.28A, 220VAC/0.14A
Power Consumption (Max)	30 W
Heat Dissipation	102 BTU/hr

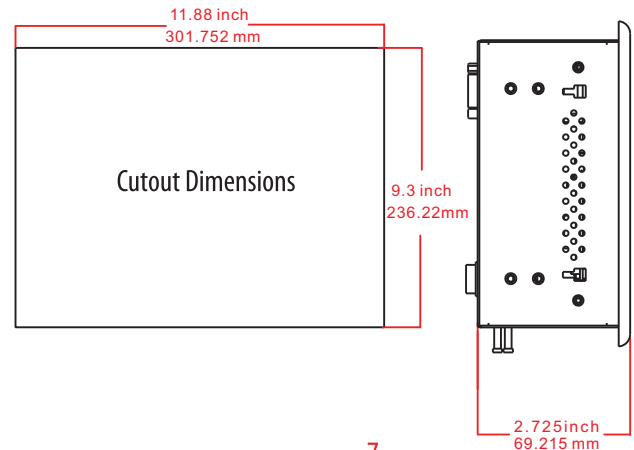
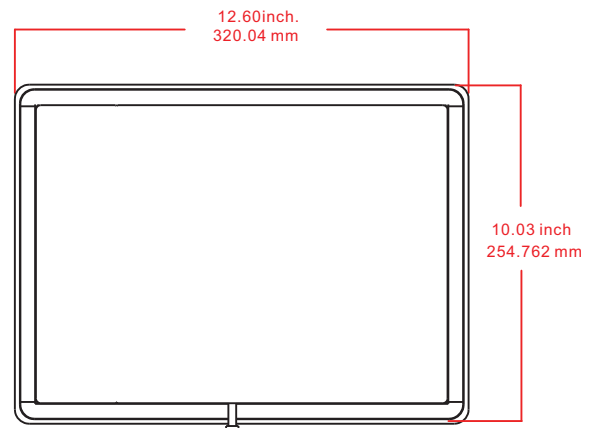
Physical Information

Mounting	Panel Mount
Net Weight	9 Lbs / 4 Kg
Physical Dimension(WxHxD)	12.60 x 10.03 x 2.72 inch / 320.0 x 254.7 x 69.2 mm
Cutout Dimension(WxH)	11.88 x 9.30 inch / 301.7 x 236.2 mm

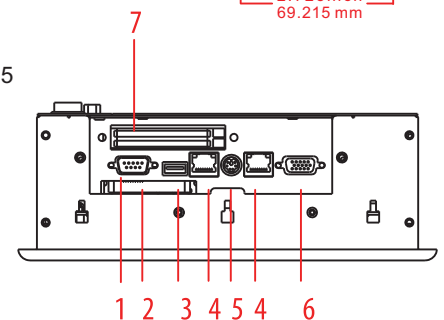
Environmental

Operating Temp	0°~ 50°C (32°~ 122°F)
Storage Temp	-20°~ 60°C (-4°~ 140°F)
Relative Humidity	0%~ 95% (non-condensing)
Rating	NEMA 4/4X Bezel
Certification	UL508 NRAQ Programmable Controller

ARP-3612A-ACP Line Drawing



- 1=RS-232/422/485
- 2=CF Type II Slot
- 3=USB 2.0
- 4=Ethernet Ports
- 5=PS/2KB/MS
- 6=VGA Port
- 7=PC/104



Features

- > 15 inch Active Matrix TFT LCD
- > 5 Wire Resistive Touch Screen
- > AMD LX 800 Processor
- > Up to 1 GB DDR-333 SO-DIMM
- > Compact Flash Type II Socket
- > 2.5" IDE HDD Option
- > Dual Drives For Data Logging
- > One PC/104 Slot
- > ACP Enabled Version Available



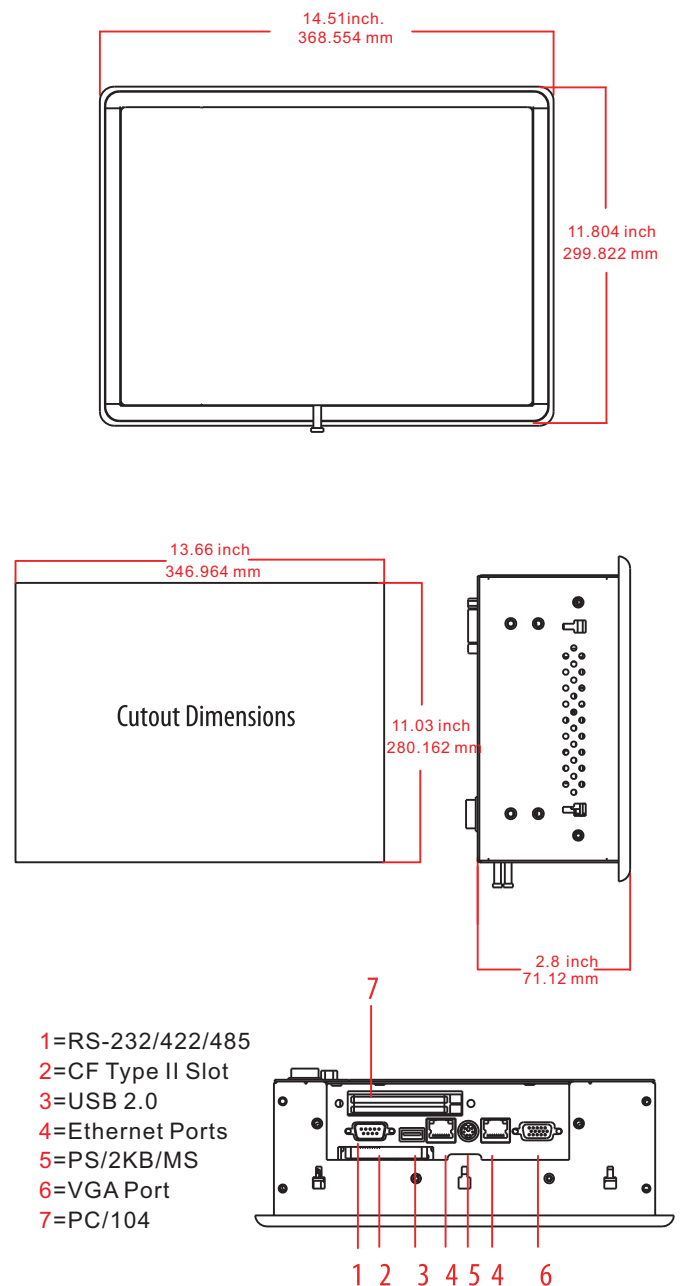
ARP-3615A-ACP



ARP-3615A-ACP Specifications

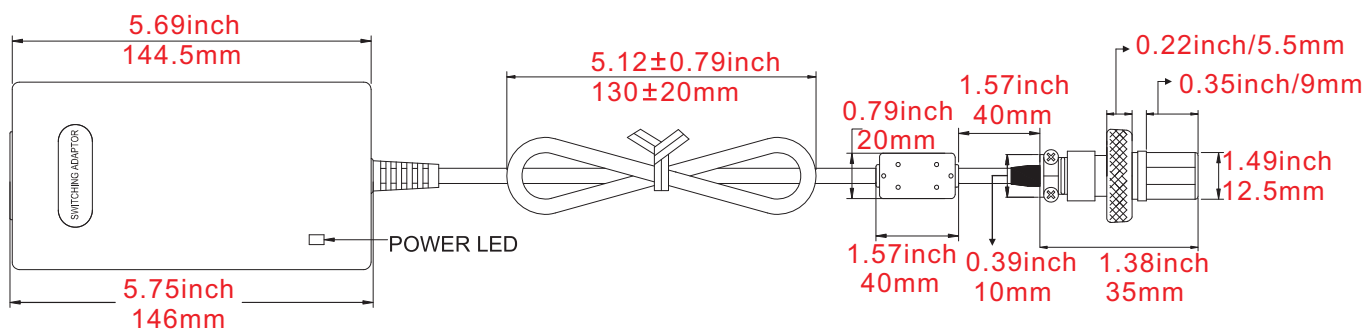
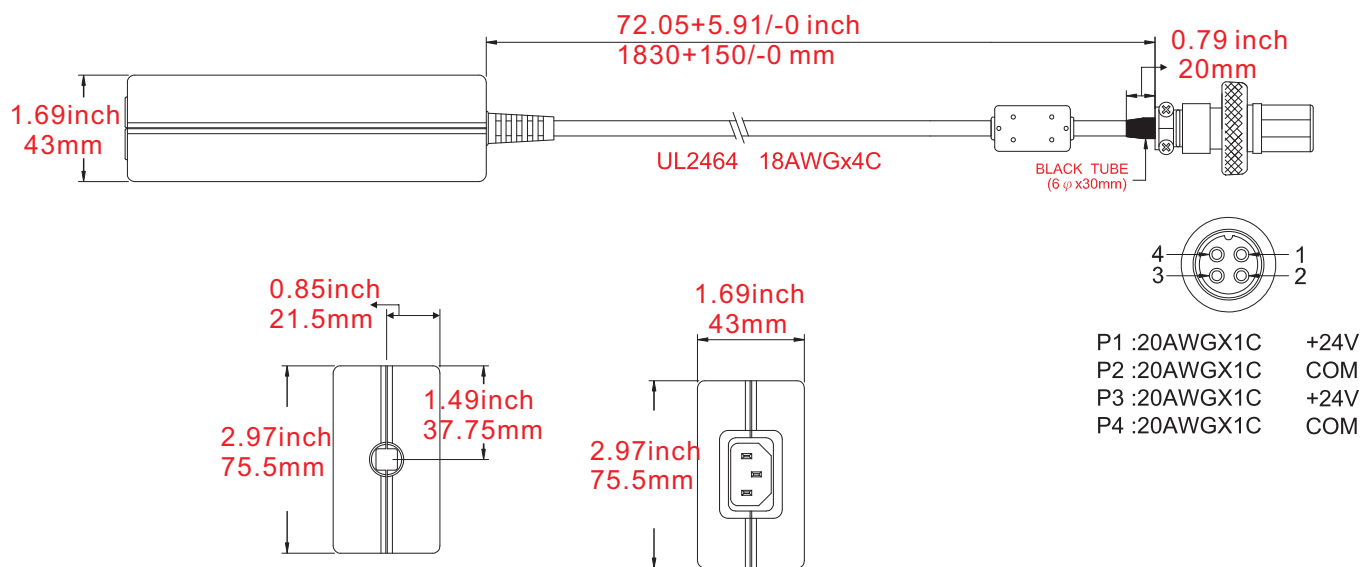
LCD Panel	
Display size (Diagonal)	15 inch
Resolution	1024 x 768
Backlight Lifetime*	30,000 hours
Visual Characteristics	
Colors	16 million
Aspect ratio	4 : 3
Viewing angle(V/H)	120° / 130°
Response time(Typical)	12 ms
Pixel Pitch(mm)	0.297 x 0.297
Contrast ratio	500 : 1
Brightness	250 nits
Touch Screen	
Technology	5 Wire Resistive
Touch rating	35 Million Touches
MTBF	490,000 hours
Interface	RS-232
Driver	WinCE
Front-Bezel	
NEMA-4	Black Powder Coated
NEMA-4X	Stainless Steel
System	
CPU	AMD Lx800 500MHz
Chipset	CS5536
Memory	Up to 1GB DDR-333
Video Controller	CS5536 Integrated VGA
Video Interface	LVDS, VGA
Storage Option	1x 2.5" IDE HDD (optional)
Compact Flash	Optional CF
Keyboard/Mouse	2 x PS / 2 Connectors (Y-Cable)
Audio	N/A
Watchdog Timer	Programmable 1~255 sec
Expansion Slot	1 x PC/104
I/O Communication	
USB Port	3 x USB 2.0
Serial Port	2 x RS-232, 1x RS-232/422/485
IEEE-1394	N/A
LAN	2 x 10 / 100 mbps
Parallel	1x Port
OS Support	
OS Support	WinCE
Power/Thermal Specs.	
Power Requirement (Max)	24VDC/1.5A, 110VAC/0.30A, 220VAC/0.15A
Power Consumption (Max)	32 W
Heat Dissipation	106 BTU/hr
Physical Information	
Mounting	Panel Mount
Net Weight	11 Lbs / 5 Kg
Physical Dimension(WxHxD)	1451 x 1180 x 280 inch / 3685 x 2998 x 71.1 mm
Cutout Dimension(WxH)	13.66 x 11.03 inch / 347.0 x 280.2 mm
Environmental	
Operating Temp	0°~ 50°C (32°~ 122°F)
Storage Temp	-20°~ 60°C (-4°~ 140°F)
Relative Humidity	0%~ 95% (non-condensing)
Rating	NEMA 4/4X Bezel
Certification	UL508 NRAQ Programmable Controller

ARP-3615A-ACP Line Drawing

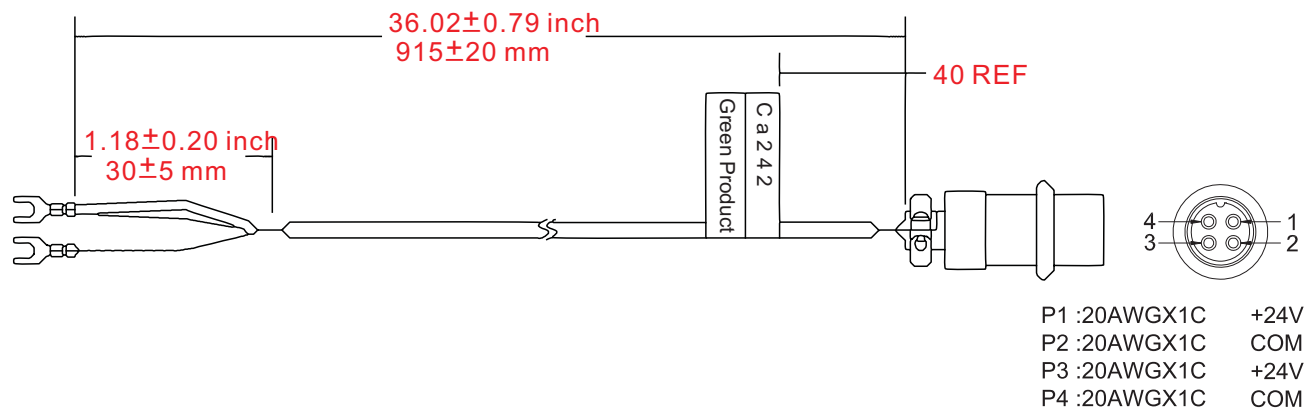


ARP-3600A-ACP Series Power Supply

Model: PSA-066A-024 (110~220 VAC Input, 24 VDC Output power supply)



Model : CA242 (3 feet 24 VDC Input power cord)



Ordering Information

ARP-3606A-ACP

LCD Display	6.4 inch LCD
Touch Screen	5-Wire
CPU	AMD 500MHz LX-800
Memory	1 GB

Black Color Bezel	ARP-3606A-A00-002	ARP-3606A-A00-003
Bezel	Black Color Bezel	Black Color Bezel
Power Supply	DC 24V Input	110/220VAC Input
ACP Enabled	Yes	Yes
Storage	N/A	N/A
Stainless Steel Bezel	ARP-3606A-A00-006	ARP-3606A-A00-007
Bezel	Stainless Steel Bezel	Stainless Steel Bezel
Power Supply	DC 24V Input	110/220VAC Input
ACP Enabled	Yes	Yes
Storage	N/A	N/A

ARP-3608A-ACP

LCD Display	8.4 inch LCD
Touch Screen	5-Wire
CPU	AMD 500MHz LX-800
Memory	1 GB

Black Color Bezel	ARP-3608A-A00-002	ARP-3608A-A00-003
Bezel	Black Color Bezel	Black Color Bezel
Power Supply	DC 24V Input	110/220VAC Input
ACP Enabled	Yes	Yes
Storage	N/A	N/A
Stainless Steel Bezel	ARP-3608A-A00-006	ARP-3608A-A00-007
Bezel	Stainless Steel Bezel	Stainless Steel Bezel
Power Supply	DC 24V Input	110/220VAC Input
ACP Enabled	Yes	Yes
Storage	N/A	N/A

ARP-3610A-ACP

LCD Display	10.4 inch LCD
Touch Screen	5-Wire
CPU	AMD 500MHz LX-800
Memory	1 GB

Black Color Bezel	ARP-3610A-A00-002	ARP-3610A-A00-003
Bezel	Black Color Bezel	Black Color Bezel
Power Supply	DC 24V Input	110/220VAC Input
ACP Enabled	Yes	Yes
Storage	N/A	N/A
Stainless Steel Bezel	ARP-3610A-A00-006	ARP-3610A-A00-007
Bezel	Stainless Steel Bezel	Stainless Steel Bezel
Power Supply	DC 24V Input	110/220VAC Input
ACP Enabled	Yes	Yes
Storage	N/A	N/A

ARP-3612A-ACP

LCD Display	12.1 inch LCD
Touch Screen	5-Wire
CPU	AMD 500MHz LX-800
Memory	1 GB

Black Color Bezel	ARP-3612A-A00-002	ARP-3612A-A00-003
Bezel	Black Color Bezel	Black Color Bezel
Power Supply	DC 24V Input	110/220VAC Input
ACP Enabled	Yes	Yes
Storage	N/A	N/A
Stainless Steel Bezel	ARP-3612A-A00-006	ARP-3612A-A00-007
Bezel	Stainless Steel Bezel	Stainless Steel Bezel
Power Supply	DC 24V Input	110/220VAC Input
ACP Enabled	Yes	Yes
Storage	N/A	N/A

ARP-3615A-ACP

LCD Display	15 inch LCD
Touch Screen	5-Wire
CPU	AMD 500MHz LX-800
Memory	1 GB

Black Color Bezel	ARP-3615A-A00-002	ARP-3615A-A00-003
Bezel	Black Color Bezel	Black Color Bezel
Power Supply	DC 24V Input	110/220VAC Input
ACP Enabled	Yes	Yes
Storage	N/A	N/A
Stainless Steel Bezel	ARP-3615A-A00-006	ARP-3615A-A00-007
Bezel	Stainless Steel Bezel	Stainless Steel Bezel
Power Supply	DC 24V Input	110/220VAC Input
ACP Enabled	Yes	Yes
Storage	N/A	N/A

Features

- > 15 inch Active Matrix TFT LCD Display
- > Native Resolution at 1024 x 768
- > 5-Wire Resistive Touch Screen
- > One 2.5" SATA HDD
- > Slim DVD/CD-RW Drive
- > 24VDC Input Operating Voltage
- > Fanless Cooling
- > ACP version available



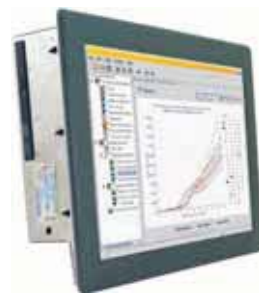
ARP-2215A-ACP



Specifications	ARP-2215A- A00	ARP-2215A- D00
LCD Panel		
Display size(Diagonal)	15 inch	15 inch
Resolution	1024 x 768	1024 x 768
Backlight Lifetime	30,000 hours	30,000 hours
Visual Characteristics		
Colors	16 million	16 million
Aspect ratio	4 : 3	4 : 3
Viewing angle(V/H)	120° / 130°	120° / 130°
Response time(Typical)	12 ms	12 ms
Pixel Pitch(mm)	0.297 x 0.297	0.297 x 0.297
Contrast ratio	500 : 1	500 : 1
Brightness	250 nits	250 nits
Touch Screen		
Technology	5 Wire Resistive	5 Wire Resistive
Touch rating	35 Million Touches	35 Million Touches
MTBF	490,000 hours	490,000 hours
Interface	RS-232	RS-232
Driver	WinXP Pro, XPe	WinXP Pro
Front Bezel		
NEMA 4	Black Powder Coated	Black Powder Coated
NEMA 4X	Stainless Steel (Optional)	Stainless Steel (Optional)
System		
CPU	VIA 1.5GHz C7 CPU	Core 2 Duo Mobile
Chipset	VIA CN 700	GME965 + ICH8M
Memory	Up to 1GB	Up to 4GB
Video Controller	CN 700 Integrated S3 Graphic Engine	GME965 GMA X3100
Video Interface	LVDS, VGA	LVDS, VGA, DVI
Storage Option	2.5" SATA HDD	2.5" SATA HDD
Compact Flash	Optional CF	N/A
Keyboard/Mouse	2 x PS/2 Connectors	2 x PS/2 Connectors
Audio	Line in, Line Out, MIC-In	N/A
Watchdog Timer	Programmable 1~255 sec	Programmable 1~255 sec
Expansion Slot	1 x PCI	1 x PCI
I/O Communication		
USB Port	6 x USB 2.0	6 x USB 2.0
Serial Port	4 x RS-232, 1 x RS-232/422/485	4 x RS-232, 1 x RS-232/422/485
IEEE 1394	N/A	N/A
LAN	Dual Gigabit LAN	Dual Gigabit LAN
Parallel	1 x Port	N/A
OS Support		
OS Support	WinXP Pro, XPe	WinXP Pro
Power/Thermal Specs.		
Power Requirement (Max)	120VAC/0.775A, 24VDC/3.8A	120VAC/0.96A, 24VDC/4.8A
Power Consumption (Max)	93 W	115 W
Heat Dissipation	317 BTU/hr	391 BTU/hr
Physical Information		
Mounting	Panel Mount	Panel Mount
Net Weight	19 Lbs / 8 Kg	19 Lbs / 8 Kg
Physical Dimension(WxHxD)	14.5 x 11.0 x 4.5 inch / 368.5 x 298.8 x 114.8 mm	14.5 x 11.0 x 4.5 inch / 368.5 x 298.8 x 114.8 mm
Cutout Dimension(WxH)	13.65 x 11.02 inch / 346.7 x 279.8 mm	13.65 x 11.02 inch / 346.7 x 279.8 mm
Environmental		
Operating Temp	0°~ 50°C (32°~ 122°F)	0°~ 50°C (32°~ 122°F)
Storage Temp	-20°~ 60°C (-4°~ 140°F)	-20°~ 60°C (-4°~ 140°F)
RelativeHumidity	5%~ 95% (non-condensing)	0%~ 95% (non-condensing)
Rating	NEMA 4/4X Bezel	NEMA 4/4X Bezel
Certification		

Features

- > 17 inch Active Matrix TFT LCD Display
- > Native Resolution at 1280 x 1024
- > 5-Wire Resistive Touch Screen
- > Up to two 2.5" SATA HDD
- > Slim DVD/CD-RW Drive
- > 24VDC Input Operating Voltage
- > Fanless Cooling
- > ACP version available



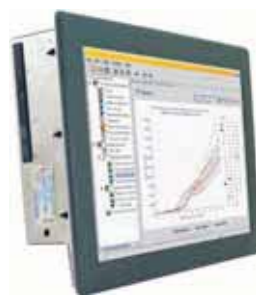
ARP-2217A-ACP



Specifications	ARP-2217A- A00	ARP-2217A- D00
LCD Panel		
Display size(Diagonal)	17 inch	17 inch
Resolution	1280 x 1024	1280 x 1024
Backlight Lifetime	50,000 hours	50,000 hours
Visual Characteristics		
Colors	16 million	16 million
Aspect ratio	4 : 3	4 : 3
Viewing angle(V/H)	140° / 140°	140° / 140°
Response time(Typical)	12 ms	12 ms
Pixel Pitch(mm)	0.264 x 0.264	0.264 x 0.264
Contrast ratio	800 : 1	800 : 1
Brightness	300 nits	300 nits
Touch Screen		
Technology	5 Wire Resistive	5 Wire Resistive
Touch rating	35 Million Touches	35 Million Touches
MTBF	490,000 hours	490,000 hours
Interface	RS-232	RS-232
Driver	WinXP Pro, XPe	WinXP Pro
Front Bezel		
NEMA 4	Black Powder Coated	Black Powder Coated
NEMA 4X	Stainless Steel (Optional)	Stainless Steel (Optional)
System		
CPU	VIA 1.5GHz C7 CPU	Core 2 Duo Mobile
Chipset	VIA CN 700	GME965 + ICH8M
Memory	Up to 1GB	Up to 4GB
Video Controller	CN 700 Integrated S3 Graphic Engine	GME965 GMA X3100
Video Interface	LVDS + VGA	LVDS, VGA, DVI
Storage Option	Up to 2 x 2.5" SATA HDD, RAID 0/1 support	Up to 2 x 2.5" SATA HDD
Compact Flash	Optional CF	N/A
Keyboard/Mouse	2 x PS/2 Connectors	2 x PS/2 Connectors
Audio	Line in, Line Out, MIC-In	N/A
Watchdog Timer	Programmable 1~255 sec	Programmable 1~255 sec
Expansion Slot	1 x PCI	1 x PCI
I/O Communication		
USB Port	6 x USB 2.0	6 x USB 2.0
Serial Port	4 x RS-232, 1 x RS-232/422/485	4 x RS-232, 1 x RS-232/422/485
IEEE 1394	N/A	N/A
LAN	Dual Gigabit LAN	Dual Gigabit LAN
Parallel	1 x Port	N/A
OS Support		
OS Support	WinXP Pro, XPe	WinXP Pro
Power/Thermal Specs.		
Power Requirement (Max)	120VAC/0.775A, 24VDC/3.8A	120VAC/0.96A, 24VDC/4.8A
Power Consumption (Max)	108 W	130 W
Heat Dissipation	368 BTU/hr	442 BTU/hr
Physical Information		
Mounting	Panel Mount	Panel Mount
Net Weight	21 Lbs / 9 Kg	21 Lbs / 9 Kg
Physical Dimension(WxHxD)	15.8 x 13.3 x 4.8 inch / 403.3 x 338.8 x 123.5 mm	15.8 x 13.3 x 4.8 inch / 403.3 x 338.8 x 123.5 mm
Cutout Dimension(WxH)	14.97 x 12.43 inch / 380.2 x 315.7 mm	14.97 x 12.43 inch / 380.2 x 315.7 mm
Environmental		
Operating Temp	0°~ 50°C (32°~ 122°F)	0°~ 50°C (32°~ 122°F)
Storage Temp	-20°~ 60°C (-4°~ 140°F)	-20°~ 60°C (-4°~ 140°F)
RelativeHumidity	0%~ 95% (non-condensing)	0%~ 95% (non-condensing)
Rating	NEMA 4/4X Bezel	NEMA 4/4X Bezel
Certification		

Features

- > 19 inch Active Matrix TFT LCD Display
- > Native Resolution at 1280 x 1024
- > 5-Wire Resistive Touch Screen
- > Up to two 2.5" SATA HDD
- > Slim DVD/CD-RW Drive
- > 24VDC Input Operating Voltage
- > Fanless Cooling
- > ACP version available



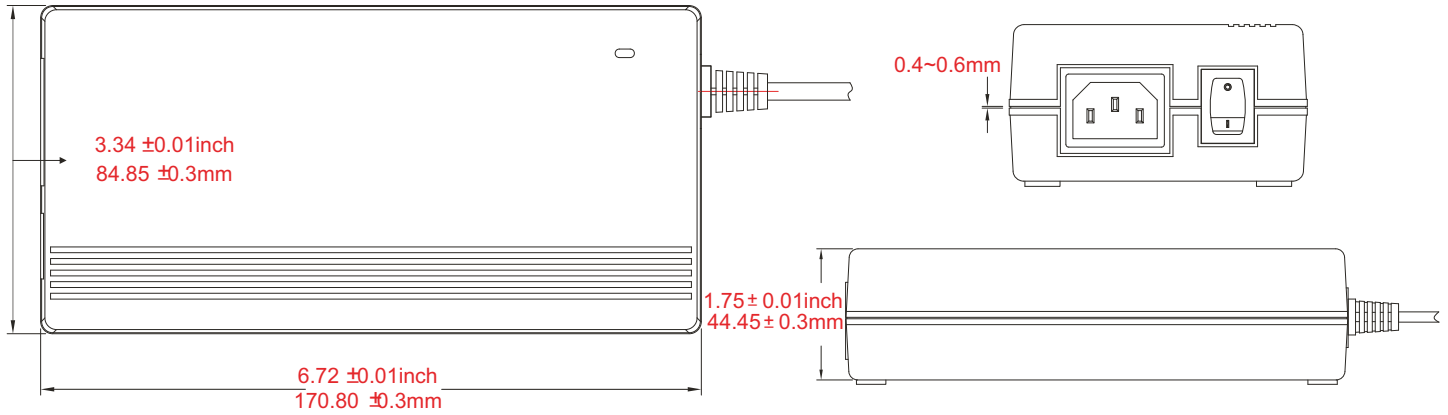
ARP-2219A-ACP



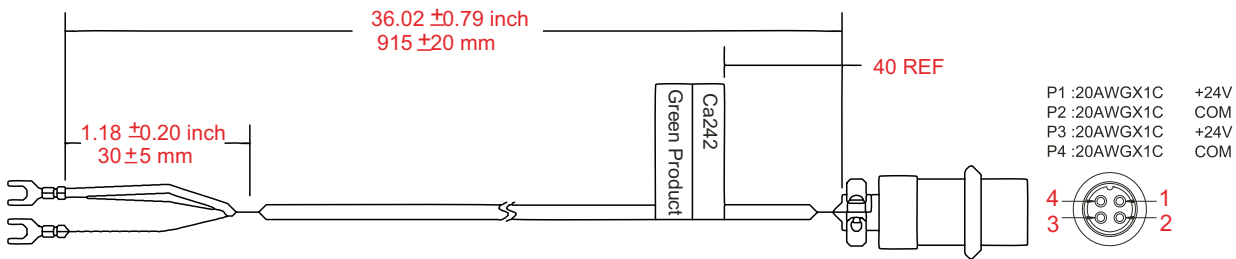
Specifications	ARP-2219A- A00	ARP-2219A- D00
LCD Panel		
Display size(Diagonal)	19 inch	19 inch
Resolution	1280 x 1024	1280 x 1024
Backlight Lifetime	50,000 hours	50,000 hours
Visual Characteristics		
Colors	16 million	16 million
Aspect ratio	4 : 3	4 : 3
Viewing angle(V/H)	178° / 178°	178° / 178°
Response time(Typical)	20 ms	20 ms
Pixel Pitch(mm)	0.294 x 0.294	0.294 x 0.294
Contrast ratio	700 : 1	700 : 1
Brightness	300 nits	300 nits
Touch Screen		
Technology	5 Wire Resistive	5 Wire Resistive
Touch rating	35 Million Touches	35 Million Touches
MTBF	490,000 hours	490,000 hours
Interface	RS-232	RS-232
Driver	WinXP Pro, XPe	WinXP Pro
Front Bezel		
NEMA 4	Black Powder Coated	Black Powder Coated
NEMA 4X	Stainless Steel (Optional)	Stainless Steel (Optional)
System		
CPU	VIA 1.5GHz C7 CPU	Core 2 Duo Mobile
Chipset	VIA CN 700	GME965 + ICH8M
Memory	Up to 1GB	Up to 4GB
Video Controller	CN 700 Integrated S3 Graphic Engine	GME965 GMA X3100
Video Interface	LVDS, VGA	LVDS, VGA, DVI
Storage Option	Up to 2 x 2.5" SATA HDD, RAID 0/1 support	Up to 2 x 2.5" SATA HDD
Compact Flash	Optional CF	N/A
Keyboard/Mouse	2 x PS/2 Connectors	2 x PS/2 Connectors
Audio	Line in, Line Out, MIC-In	N/A
Watchdog Timer	Programmable 1~255 sec	Programmable 1~255 sec
Expansion Slot	1 x PCI	1 x PCI
I/O Communication		
USB Port	6 x USB 2.0	6 x USB 2.0
Serial Port	4 x RS-232, 1 x RS-232/422/485	4 x RS-232, 1 x RS-232/422/485
IEEE 1394	N/A	N/A
LAN	Dual Gigabit LAN	Dual Gigabit LAN
Parallel	1 x Port	N/A
OS Support		
OS Support	WinXP Pro, XPe	WinXP Pro
Power/Thermal Specs.		
Power Requirement (Max)	120VAC/0.775A, 24VDC/3.8A	120VAC/0.96A, 24VDC/4.8A
Power Consumption (Max)	113 W	135 W
Heat Dissipation	385 BTU/hr	459 BTU/hr
Physical Information		
Mounting	Panel Mount	Panel Mount
Net Weight	25 Lbs / 11 Kg	25 Lbs / 11 Kg
Physical Dimension(WxHxD)	17.8 x 14.6 x 4.8 inch / 452.1 x 370.8 x 123.5 mm	17.8 x 14.6 x 4.8 inch / 452.1 x 370.8 x 123.5 mm
Cutout Dimension(WxH)	16.90 x 13.70 inch / 429.2 x 347.9 mm	16.90 x 13.70 inch / 429.2 x 347.9 mm
Environmental		
Operating Temp	0°~ 50°C (32°~ 122°F)	0°~ 50°C (32°~ 122°F)
Storage Temp	-20°~ 60°C (-4°~ 140°F)	-20°~ 60°C (-4°~ 140°F)
RelativeHumidity	0%~ 95% (non-condensing)	0%~ 95% (non-condensing)
Rating	NEMA 4/4X Bezel	NEMA 4/4X Bezel
Certification		

ARP-2200A-ACP Series Power Supply

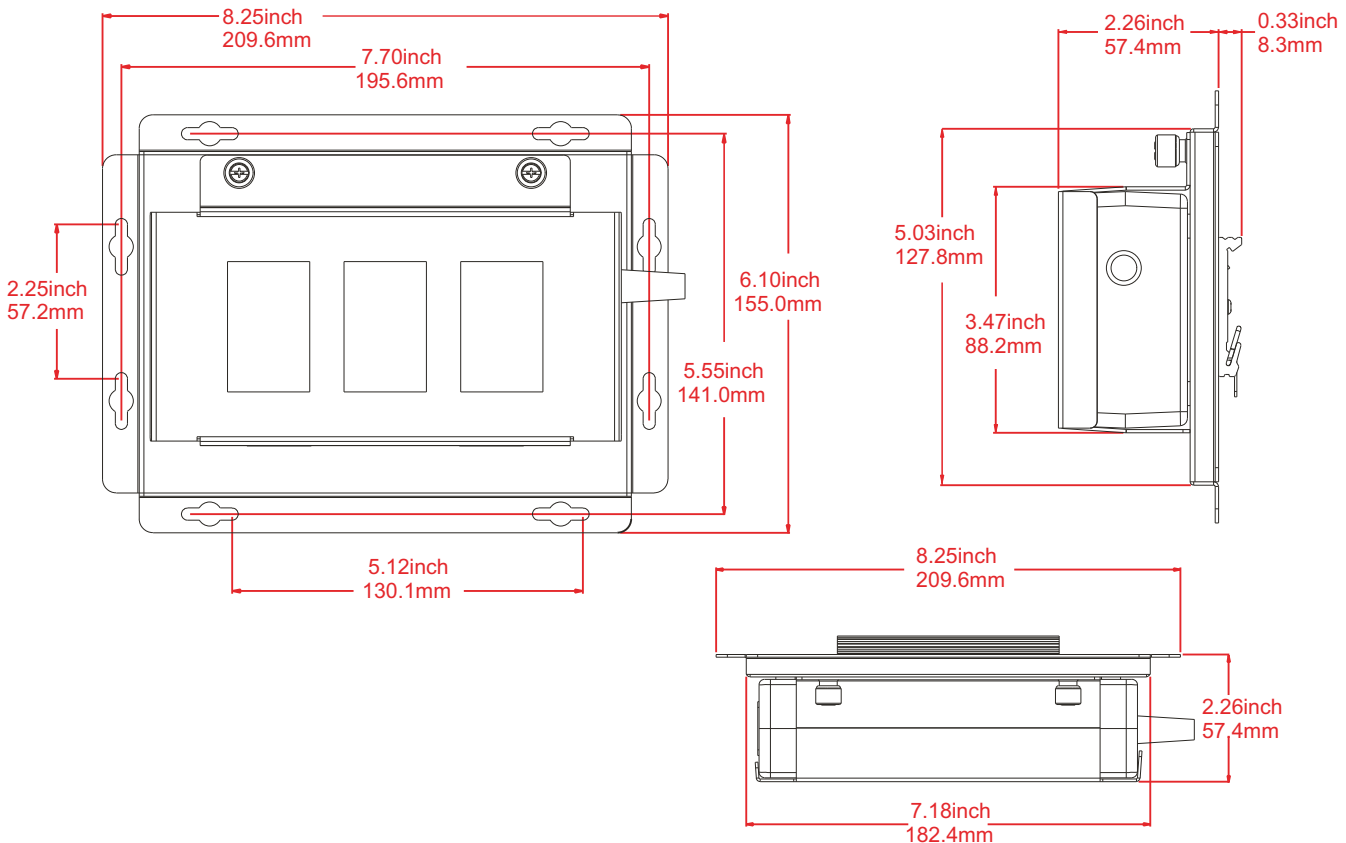
Model: PSA-150A-024 (110~220 VAC Input, 24 VDC Output power supply)



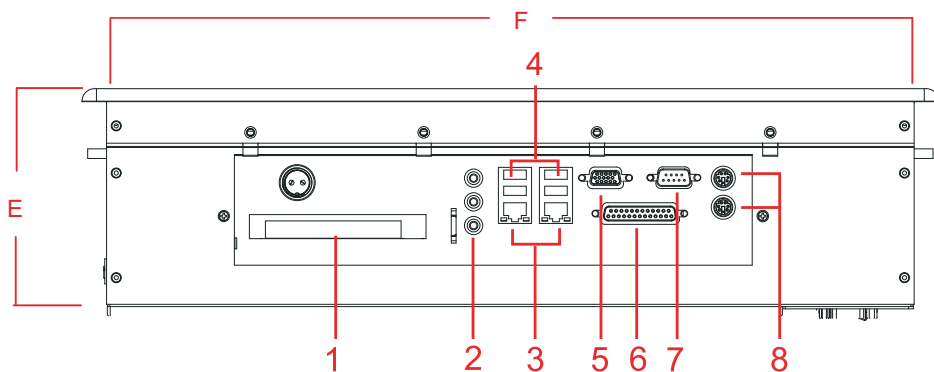
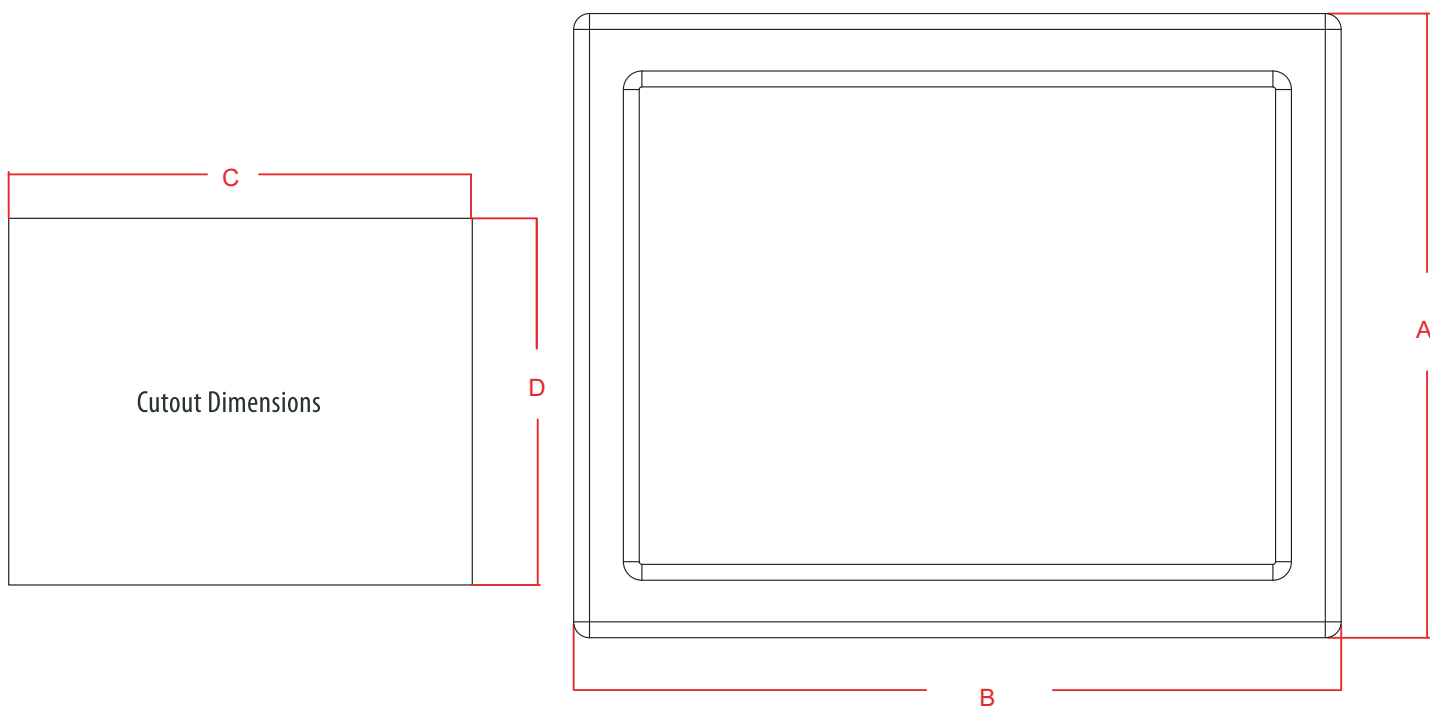
Model : CA242 (3 feet 24 VDC Input power cord)



APM-004 Mounting Bracket Line Drawing



ARP-2200A-ACP Series Line Drawing



- 1 = CD/DVD
- 2 = Audio In/Out + Mic
- 3 = Ethernet Ports
- 4 = USB
- 5 = VGA
- 6 = Parallel Port
- 7 = RS-232
- 8 = PS2

	ARP-2215A-A00-0xx	ARP-2215A-A00-Bxx	ARP-2215A-A00-Cxx
A	11.80 inch / 298.8 mm	13.	14.
B	14.51 inch / 368.6 mm	15.	17.
C	13.65 inch / 346.7 mm	14.	16.
D	11.02 inch / 279.8 mm	12.	13.
E	4.52 inch / 114.9 mm	4.8	4.8
F	13.52 inch / 343.7 mm	14.	16.7
	ARP-2215A-D00	ARP-2217A	ARP-2219A
	11.80 inch / 298.8 mm	13.34 inch / 338.8 mm	14.60 inch / 370.8 mm
	14.51 inch / 368.6 mm	15.88 inch / 403.4 mm	17.80 inch / 452.1 mm
	13.65 inch / 346.7 mm	14.97 inch / 380.2 mm	16.90 inch / 429.2 mm
	11.02 inch / 279.8 mm	12.43 inch / 315.7 mm	13.70 inch / 347.9 mm
	4.52 inch / 114.9 mm	4.86 inch / 123.5 mm	4.86 inch / 123.5 mm
	13.52 inch / 343.7 mm	14.85 inch / 377.2 mm	16.77 inch / 426.2 mm

Accessories Options

Accessories	Description
XP Pro :	Windows XP Pro Operating System
XPe :	Windows XP Embedded Operating System
CA 242 :	3 feet 24 VDC Input power cord
PSA-150A-024 :	110~220VAC Input, 24 VDC Output 150W Power Adaptor
APM-004 :	PSA-150A-024 Power Adaptor Mounting Bracket

Ordering Information

ARP-2215A-A00

LCD Display	15 inch LCD
Touch Screen	5-Wire
CPU	VIA 1.5 GHz C7
Memory	1GB DDR

Black Color Bezel [ARP-2215A-A00-002](#) [ARP-2215A-A00-003](#)

Bezel	Black Color Bezel	Black Color Bezel
Power Supply	DC 24V Input	110/220VAC Input
ACP Enabled	Yes	Yes
Storage	N/A	N/A

Stainless Steel Bezel [ARP-2215A-A00-006](#) [ARP-2215A-A00-007](#)

Bezel	Stainless Steel Bezel	Stainless Steel Bezel
Power Supply	DC 24V Input	110/220VAC Input
ACP Enabled	Yes	Yes
Storage	N/A	N/A

ARP-2215A-D00

LCD Display	15 inch LCD
Touch Screen	5-Wire
CPU	1.83 GHz Core 2 Duo Mobile
Memory	2GB DDR2-667

Black Color Bezel [ARP-2215A-D00-002](#) [ARP-2215A-D00-003](#)

Bezel	Black Color Bezel	Black Color Bezel
Power Supply	DC 24V Input	110/220VAC Input
ACP Enabled	Yes	Yes
Storage	N/A	N/A

Stainless Steel Bezel [ARP-2215A-D00-006](#) [ARP-2215A-D00-007](#)

Bezel	Stainless Steel Bezel	Stainless Steel Bezel
Power Supply	DC 24V Input	110/220VAC Input
ACP Enabled	Yes	Yes
Storage	N/A	N/A

ARP-2217A-A00

LCD Display	17 inch LCD
Touch Screen	5-Wire
CPU	VIA 1.5 GHz C7
Memory	1GB DDR

Black Color Bezel [ARP-2217A-A00-002](#) [ARP-2217A-A00-003](#)

Bezel	Black Color Bezel	Black Color Bezel
Power Supply	DC 24V Input	110/220VAC Input
ACP Enabled	Yes	Yes
Storage	N/A	N/A

Stainless Steel Bezel [ARP-2217A-A00-006](#) [ARP-2217A-A00-007](#)

Bezel	Stainless Steel Bezel	Stainless Steel Bezel
Power Supply	DC 24V Input	110/220VAC Input
ACP Enabled	Yes	Yes
Storage	N/A	N/A

ARP-2217A-D00

LCD Display	17 inch LCD
Touch Screen	5-Wire
CPU	1.83 GHz Core 2 Duo Mobile
Memory	2GB DDR2-667

Black Color Bezel [ARP-2217A-D00-002](#) [ARP-2217A-D00-003](#)

Bezel	Black Color Bezel	Black Color Bezel
Power Supply	DC 24V Input	110/220VAC Input
ACP Enabled	Yes	Yes
Storage	N/A	N/A

Stainless Steel Bezel [ARP-2217A-D00-006](#) [ARP-2217A-D00-007](#)

Bezel	Stainless Steel Bezel	Stainless Steel Bezel
Power Supply	DC 24V Input	110/220VAC Input
ACP Enabled	Yes	Yes
Storage	N/A	N/A

ARP-2219A-A00

LCD Display	19 inch LCD
Touch Screen	5-Wire
CPU	VIA 1.5 GHz C7
Memory	1GB DDR

Black Color Bezel [ARP-2219A-A00-002](#) [ARP-2219A-A00-003](#)

Bezel	Black Color Bezel	Black Color Bezel
Power Supply	DC 24V Input	110/220VAC Input
ACP Enabled	Yes	Yes
Storage	N/A	N/A

Stainless Steel Bezel [ARP-2219A-A00-006](#) [ARP-2219A-A00-007](#)

Bezel	Stainless Steel Bezel	Stainless Steel Bezel
Power Supply	DC 24V Input	110/220VAC Input
ACP Enabled	Yes	Yes
Storage	N/A	N/A

ARP-2219A-D00

LCD Display	19 inch LCD
Touch Screen	5-Wire
CPU	1.83 GHz Core 2 Duo Mobile
Memory	2GB DDR2-667

Black Color Bezel [ARP-2219A-D00-002](#) [ARP-2219A-D00-003](#)

Bezel	Black Color Bezel	Black Color Bezel
Power Supply	DC 24V Input	110/220VAC Input
ACP Enabled	Yes	Yes
Storage	N/A	N/A

Stainless Steel Bezel [ARP-2219A-D00-006](#) [ARP-2219A-D00-007](#)

Bezel	Stainless Steel Bezel	Stainless Steel Bezel
Power Supply	DC 24V Input	110/220VAC Input
ACP Enabled	Yes	Yes
Storage	N/A	N/A

Features

- > 15 inch Active Matrix TFT LCD Display
- > Native Resolution at 1024 x 768
- > 5-Wire Resistive Touch Screen
- > One 2.5" SATA HDD
- > Multiple Mounting Options
- > NEMA 4X
- > ACP version available



2x Gigabit



1 x USB 2.0



Fanless



NEMA 4X



ARP-5515A-ACP



Specifications	ARP-5515 A- A00	ARP-5515 A- D00
LCD Panel		
Display size (Diagonal)	15 inch	15 inch
Resolution	1024 x 768	1024 x 768
Backlight Lifetime	30,000 hours	30,000 hours
Visual Characteristics		
Colors	16 million	16 million
Aspect ratio	4 : 3	4 : 3
Viewing angle(V/H)	120° / 130°	120° / 130°
Response time(Typical)	12 ms	12 ms
Pixel Pitch(mm)	0.297 x 0.297	0.297 x 0.297
Contrast ratio	500 : 1	500 : 1
Brightness	250 nits	250 nits
Touch Screen		
Technology	5 Wire Resistive	5 Wire Resistive
Touch rating	35 Million Touches	35 Million Touches
MTBF	490,000 hours	490,000 hours
Interface	RS-232	RS-232
Driver	WinXP Pro, XPe	WinXP Pro
System		
CPU	VIA 1.5GHz C7 CPU	Core 2 Duo Mobile
Chipset	VIA CN 700	GME965 + ICH8M
Memory	Up to 1GB	Up to 4GB
Video Controller	CN 700 Integrated S3 Graphic Engine	GME965 GMA X3100
Video Interface	LVDS	LVDS
Storage Option	1 x 2.5" SATA HDD	1 x 2.5" SATA HDD
Compact Flash	Optional CF	N/A
Keyboard/Mouse	2 x PS / 2 Connectors(Optional)	2 x PS / 2 Connectors(Optional)
Audio	N/A	N/A
Watchdog Timer	Programmable 1~255 sec	Programmable 1~255 sec
Expansion Slot	1 x Mini PCI	1 x Mini PCI
I/O Communication		
USB Port	1 x USB 2.0	1 x USB 2.0
Serial Port	2 x RS-232 (Optional)	2 x RS-232 (Optional)
LAN	Dual Gigabit LAN	Dual Gigabit LAN
Parallel	N/A	N/A
OS Support		
OS Support	WinXP Pro, XPe	WinXP Pro
Power/Thermal Specs.		
Power Requirement (Max)	120VAC/0.775A, 24VDC/3.8A	120VAC/0.96A, 24VDC/4.8A
Power Consumption (Max)	93W	115W
Heat Dissipation	317 BTU/hr	391 BTU/hr
Physical Information		
Mounting	Pedestal, VESA, Wall and Ceiling mount, Benchtop	Pedestal, VESA, Wall and Ceiling mount, Benchtop
Net Weight	46.297 lbs / 21 kg	46.297 lbs / 21 kg
Physical Dimension(WxHxD)	14.51 x 12.42 x 4.09 inch 368.6 x 315.5 x 103.9 mm	14.51 x 12.42 x 4.09 inch 368.6 x 315.5 x 103.9 mm
Environmental		
Operating Temp	0°~ 50°C (32°~ 122°F)	0°~ 50°C (32°~ 122°F)
Storage Temp	-20°~ 60°C (-4°~ 140°F)	-20°~ 60°C (-4°~ 140°F)
Relative Humidity	0%~ 95% (non-condensing)	0%~ 95% (non-condensing)
Rating	NEMA 4X	NEMA 4X
Certification		

Features

- > 17 inch Active Matrix TFT LCD Display
- > Native Resolution at 1280 x 1024
- > 5-Wire Resistive Touch Screen
- > One 2.5" SATA HDD
- > Multiple Mounting Options
- > NEMA 4X
- > ACP version available



2x Gigabit



1 x USB 2.0



Fanless



NEMA 4X



ARP-5517A-ACP



Specifications	ARP-5517 A- A00	ARP-5517 A- D00
LCD Panel		
Display size (Diagonal)	17 inch	17 inch
Resolution	1280 x 1024	1280 x 1024
Backlight Lifetime	50,000 hours	50,000 hours
Visual Characteristics		
Colors	16 million	16 million
Aspect ratio	4 : 3	4 : 3
Viewing angle(V/H)	140° / 140°	140° / 140°
Response time(Typical)	12 ms	12 ms
Pixel Pitch(mm)	0.264 x 0.264	0.264 x 0.264
Contrast ratio	800 : 1	800 : 1
Brightness	300 nits	300 nits
Touch Screen		
Technology	5 Wire Resistive	5 Wire Resistive
Touch rating	35 Million Touches	35 Million Touches
MTBF	490,000 hours	490,000 hours
Interface	RS-232	RS-232
Driver	WinXP Pro, XPe	WinXP Pro
System		
CPU	VIA 1.5GHz C7 CPU	Core 2 Duo Mobile
Chipset	VIA CN 700	GME965 + ICH8M
Memory	Up to 1GB	Up to 4GB
Video Controller	CN 700 Integrated S3 Graphic Engine	GME965 GMA X3100
Video Interface	LVDS	LVDS
Storage Option	1 x 2.5" SATA HDD	1 x 2.5" SATA HDD
Compact Flash	Optional CF	N/A
Keyboard/Mouse	2 x PS / 2 Connectors(Optional)	2 x PS / 2 Connectors(Optional)
Audio	N/A	N/A
Watchdog Timer	Programmable 1~255 sec	Programmable 1~255 sec
Expansion Slot	1 x Mini PCI	1 x Mini PCI
I/O Communication		
USB Port	1 x USB 2.0	1 x USB 2.0
Serial Port	2 x RS-232 (Optional)	2 x RS-232 (Optional)
LAN	Dual Gigabit LAN	Dual Gigabit LAN
Parallel	N/A	N/A
OS Support		
OS Support	WinXP Pro, XPe	WinXP Pro
Power/Thermal Specs.		
Power Requirement (Max)	120VAC/0.775A, 24VDC/3.8A	120VAC/0.96A, 24VDC/4.8A
Power Consumption (Max)	108 W	130 W
Heat Dissipation	368 BTU/hr	442 BTU/hr
Physical Information		
Mounting	Pedestal, VESA, Wall and Ceiling mount, Benchtop	Pedestal, VESA, Wall and Ceiling mount, Benchtop
Net Weight	48.501 lbs / 22 kg	48.501 lbs / 22 kg
Physical Dimension(WxHxD)	15.88 x 14.07 x 4.36 inch 403.4 x 357.4 x 110.7 mm	15.88 x 14.07 x 4.36 inch 403.4 x 357.4 x 110.7 mm
Environmental		
Operating Temp	0°~ 50°C (32°~ 122°F)	0°~ 50°C (32°~ 122°F)
Storage Temp	-20°~ 60°C (-4°~ 140°F)	-20°~ 60°C (-4°~ 140°F)
Relative Humidity	0%~ 95% (non-condensing)	0%~ 95% (non-condensing)
Rating	NEMA 4X	NEMA 4X
Certification		

Features

- > 19 inch Active Matrix TFT LCD Display
- > Native Resolution at 1280 x 1024
- > 5-Wire Resistive Touch Screen
- > One 2.5" SATA HDD
- > Multiple Mounting Options
- > NEMA 4X
- > ACP version available



2x Gigabit



1 x USB 2.0



Fanless



NEMA 4X



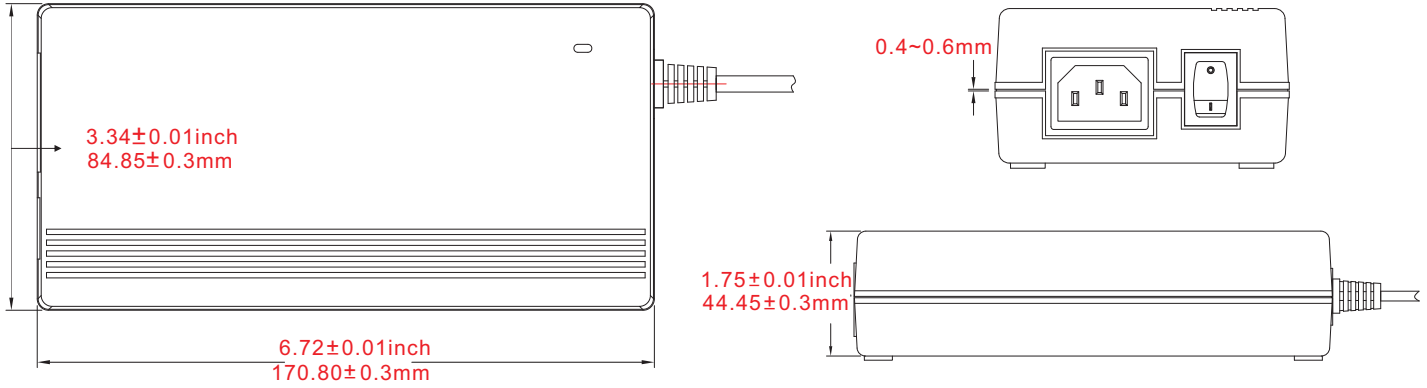
ARP-5519A-ACP



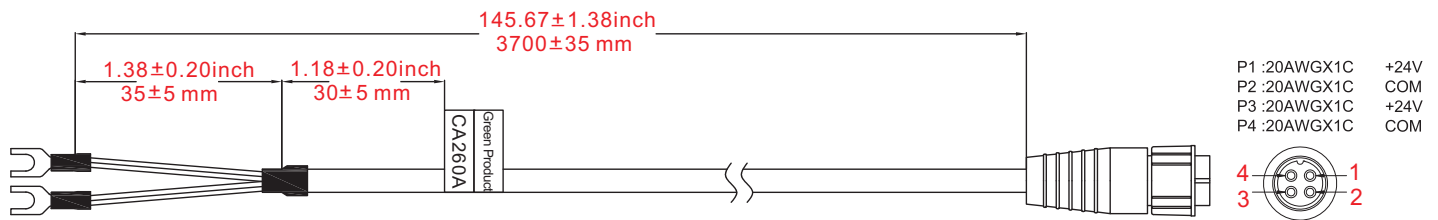
Specifications	ARP-5519 A- A00	ARP-5519 A- D00
LCD Panel		
Display size (Diagonal)	19 inch	19 inch
Resolution	1280 x 1024	1280 x 1024
Backlight Lifetime	50,000 hours	50,000 hours
Visual Characteristics		
Colors	16 million	16 million
Aspect ratio	4 : 3	4 : 3
Viewing angle(V/H)	178° / 178°	178° / 178°
Response time(Typical)	20 ms	20 ms
Pixel Pitch(mm)	0.294 x 0.294	0.294 x 0.294
Contrast ratio	700 : 1	700 : 1
Brightness	300 nits	300 nits
Touch Screen		
Technology	5 Wire Resistive	5 Wire Resistive
Touch rating	35 Million Touches	35 Million Touches
MTBF	490,000 hours	490,000 hours
Interface	RS-232	RS-232
Driver	WinXP Pro, XPe	WinXP Pro
System		
CPU	VIA 1.5GHz C7 CPU	Core 2 Duo Mobile
Chipset	VIA CN 700	GME965 + ICH8M
Memory	Up to 1GB	Up to 4GB
Video Controller	CN 700 Integrated S3 Graphic Engine	GME965 GMA X3100
Video Interface	LVDS	LVDS
Storage Option	1 x 2.5" SATA HDD	1 x 2.5" SATA HDD
Compact Flash	Optional CF	N/A
Keyboard/Mouse	2 x PS / 2 Connectors(Optional)	2 x PS / 2 Connectors(Optional)
Audio	N/A	N/A
Watchdog Timer	Programmable 1~255 sec	Programmable 1~255 sec
Expansion Slot	1 x Mini PCI	1 x Mini PCI
I/O Communication		
USB Port	1 x USB 2.0	1 x USB 2.0
Serial Port	2 x RS-232 (Optional)	2 x RS-232 (Optional)
LAN	Dual Gigabit LAN	Dual Gigabit LAN
Parallel	N/A	N/A
OS Support		
OS Support	WinXP Pro, XPe	WinXP Pro
Power/Thermal Specs.		
Power Requirement (Max)	120VAC/0.775A, 24VDC/3.8A	120VAC/0.96A, 24VDC/4.8A
Power Consumption (Max)	113 W	135 W
Heat Dissipation	385 BTU/hr	459 BTU/hr
Physical Information		
Mounting	Pedestal, VESA, Wall and Ceiling mount, Benchtop	Pedestal, VESA, Wall and Ceiling mount, Benchtop
Net Weight	50.706 lbs/ 23 kg	50.706 lbs/ 23 kg
Physical Dimension(WxHxD)	17.8 x 15.19 x 4.4 inch 452.1 x 385.8 x 111.8 mm	17.8 x 15.19 x 4.4 inch 452.1 x 385.8 x 111.8 mm
Environmental		
Operating Temp	0°~ 50°C (32°~ 122°F)	0°~ 50°C (32°~ 122°F)
Storage Temp	-20°~ 60°C (-4°~ 140°F)	-20°~ 60°C (-4°~ 140°F)
Relative Humidity	0%~ 95% (non-condensing)	0%~ 95% (non-condensing)
Rating	NEMA 4X	NEMA 4X
Certification		

ARP-5500A-ACP Series Power Supply

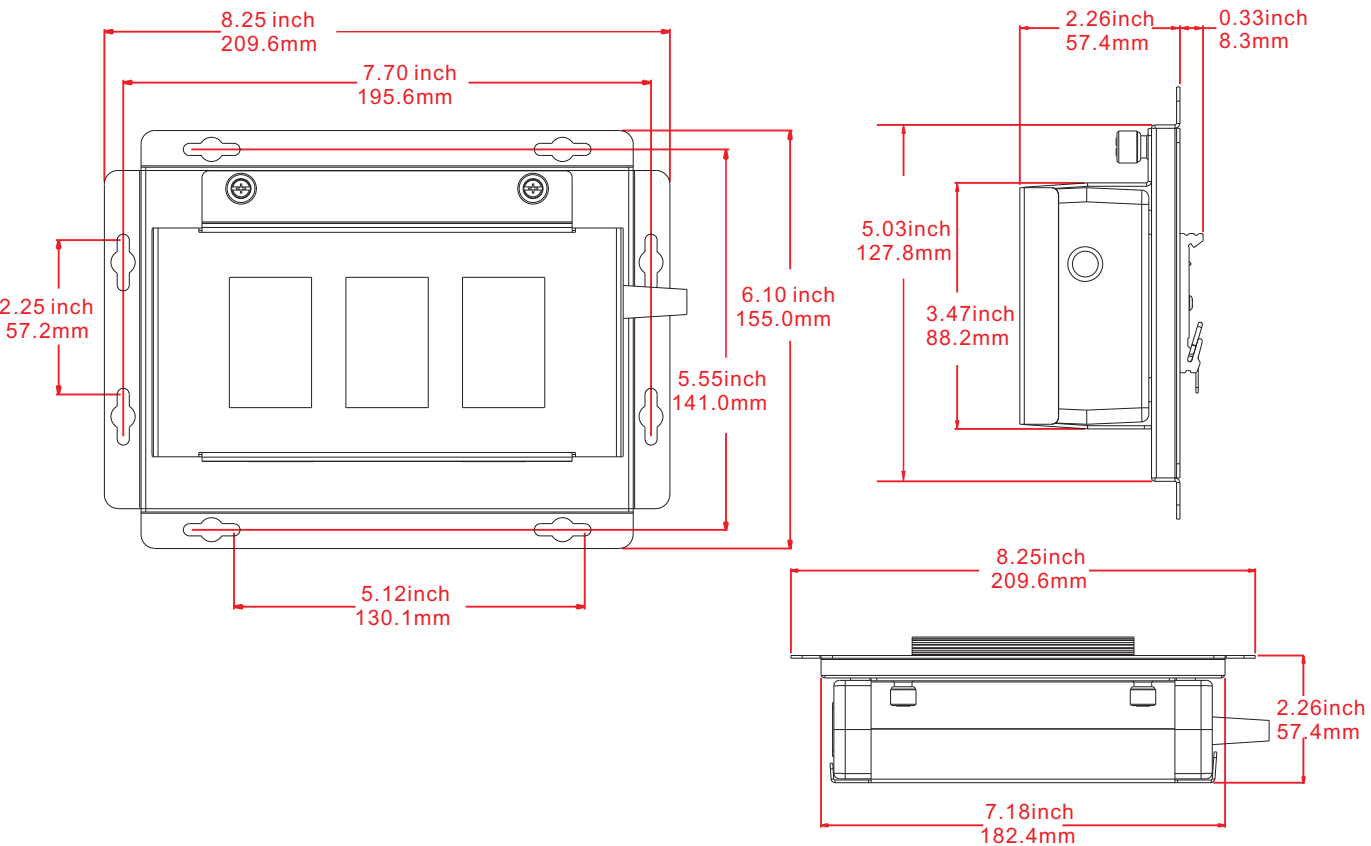
Model: PSA-150A-024 (110~220VAC Input, 24 VDC Output power supply)



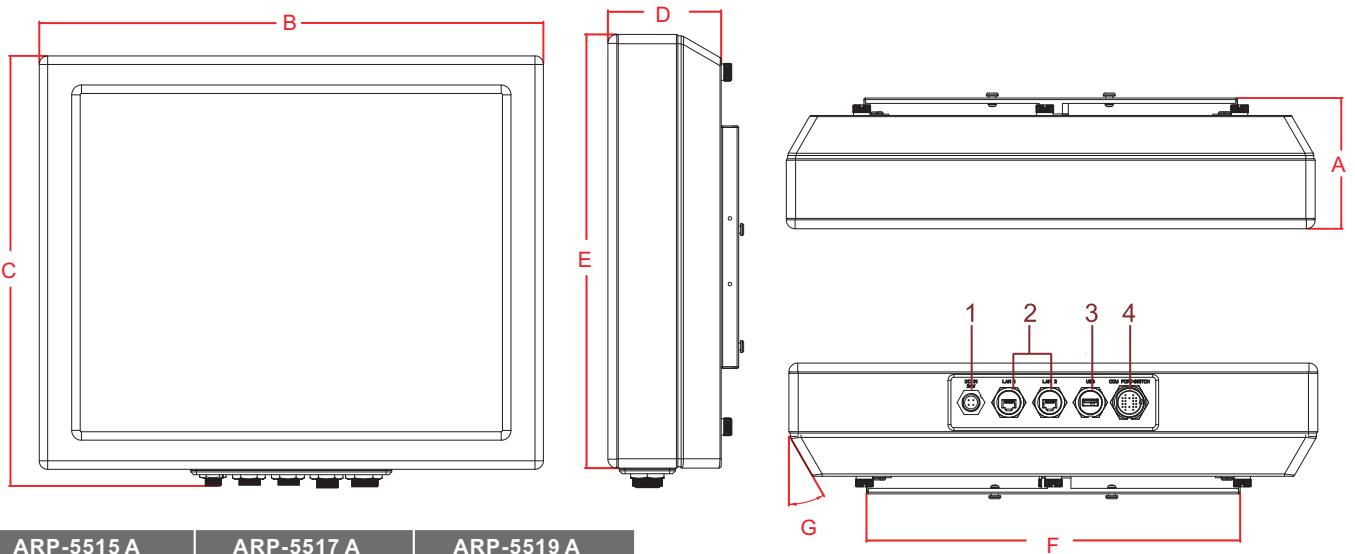
Model : CA260A (24 VDC Input power cord)



APM-004 Mounting Bracket Line Drawing



ARP-5500A-ACP Series Line Drawing



- 1 = Power
- 2 = Ethernet Ports
- 3 = USB
- 4 = 22 Pin Universal Port

	ARP-5515 A	ARP-5517 A	ARP-5519 A
A	4.09 inch / 103.9 mm	4.36 inch / 110.7 mm	4.4 inch / 111.8 mm
B	14.51 inch / 368.6 mm	15.88 inch / 403.4 mm	17.8 inch / 452.1 mm
C	12.42 inch / 315.5 mm	14.07 inch / 357.4 mm	15.19 inch / 385.8 mm
D	3.5 inch / 88.9 mm	3.77 inch / 95.8 mm	3.81 inch / 96.8 mm
E	11.8 inch / 299.7 mm	13.46 inch / 341.9 mm	14.60 inch / 370.8 mm
F	12.575 inch / 319.4 mm	12.575 inch / 319.4 mm	12.575 inch / 319.4 mm
G	30°	30°	30°

Benchtop Stand Assembly

XDS-001

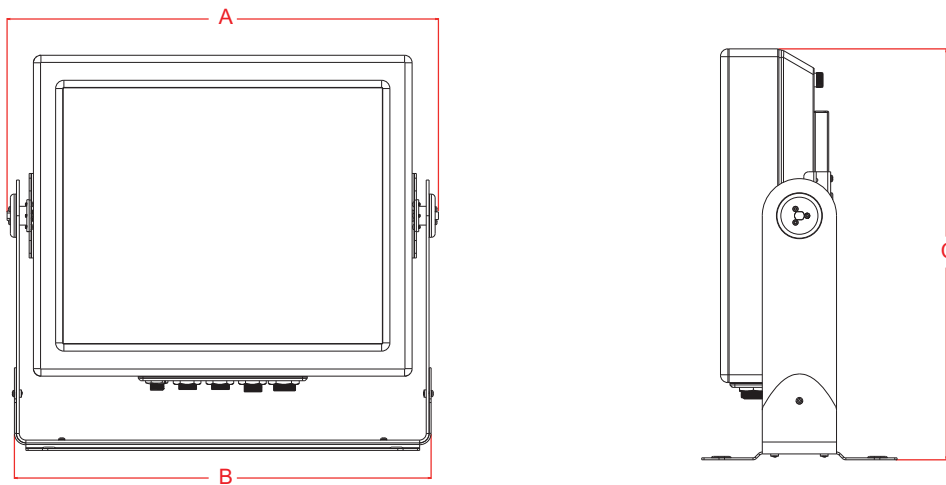
ARP-5515A/ADM-5815A Benchtop Stand Assembly

XDS-002

ARP-5517A/ADM-5817A Benchtop Stand Assembly

XDS-003

ARP-5519A/ADM-5819A Benchtop Stand Assembly



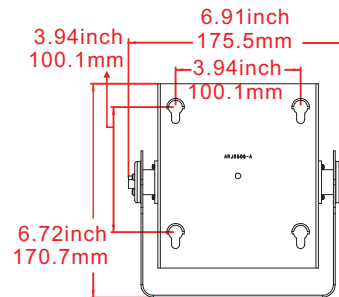
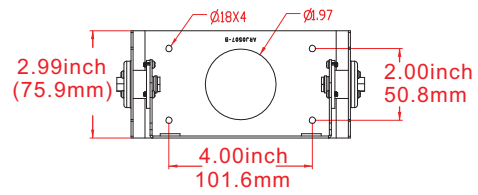
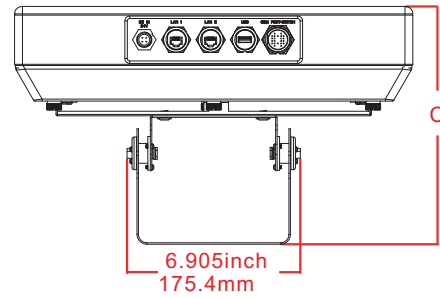
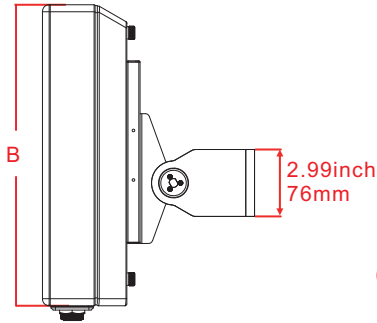
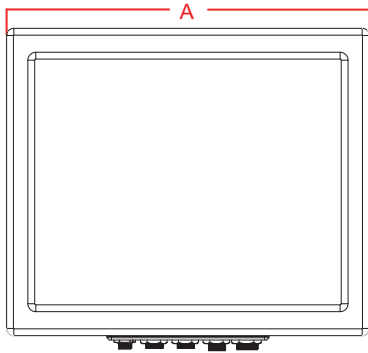
	ARP-5515 A	ARP-5517 A	ARP-5519 A
A	16.79 inch / 426.4 mm	18.09 inch / 459.4 mm	19.86 inch / 504.4 mm
B	16.17 inch / 410.8 mm	17.47 inch / 443.8 mm	19.24 inch / 488.8 mm
C	14.91 inch / 378.6 mm	16.57 inch / 420.9 mm	17.71 inch / 449.8 mm
D	7.87 inch / 200.0 mm	7.87 inch / 200.0 mm	7.87 inch / 200.0 mm

Pedestal Mount Bracket Assembly

XTM-001

ARP-5500A/ADM-5800A

Pedestal Mount Bracket Assembly



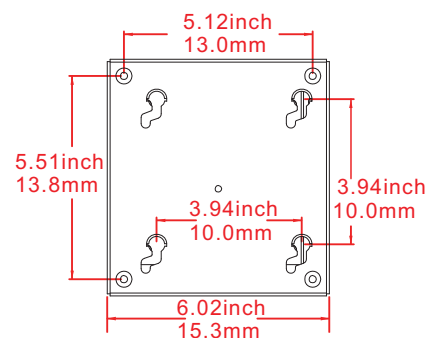
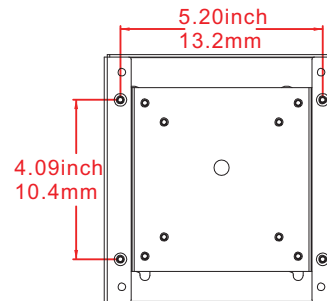
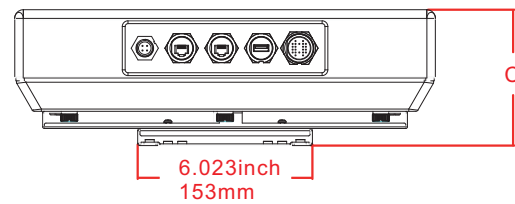
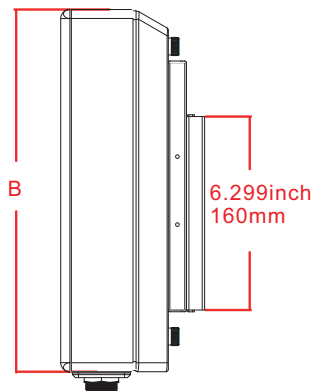
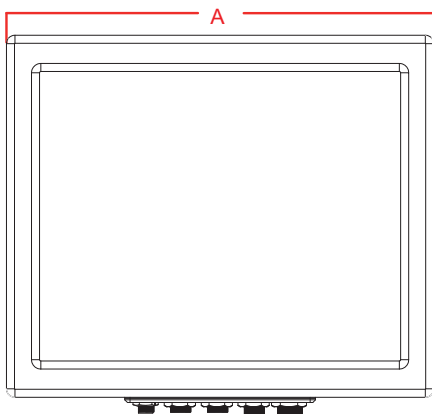
	ARP-5515 A	ARP-5517 A	ARP-5519 A
A	14.51inch / 368.5mm	15.88inch / 403.3mm	17.80inch / 452.1mm
B	11.80inch / 299.6mm	13.46inch / 341.8mm	14.60inch / 370.8mm
C	9.21inch / 234.0mm	9.48inch / 240.8mm	9.52inch / 241.8mm

VESA Mount Bracket Assembly

XVM-001

ARP-5500A/ADM-5800A

VESA Mount Bracket Assembly

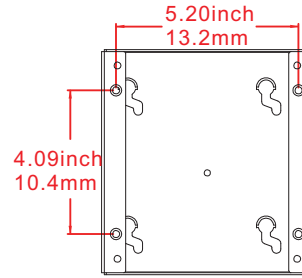
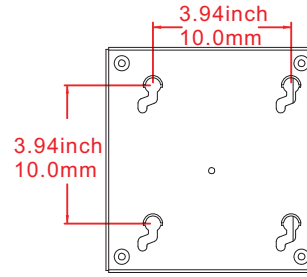
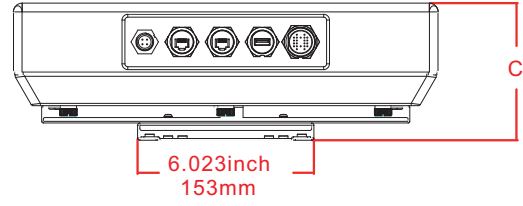
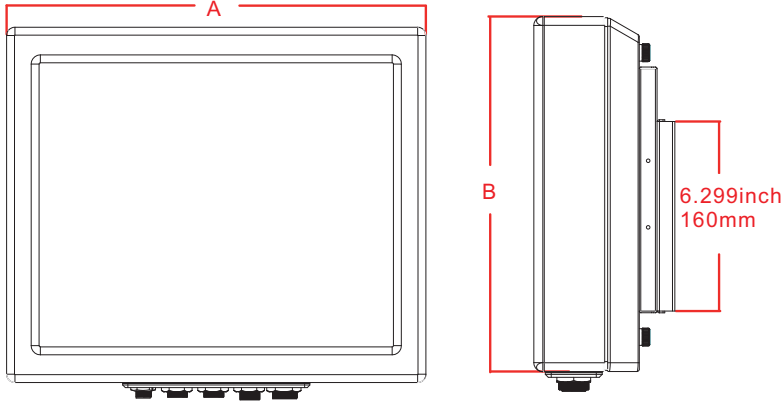


	ARP-5515 A	ARP-5517 A	ARP-5519 A
A	14.51inch / 368.5mm	15.88inch / 403.3mm	17.80inch / 452.1mm
B	11.80inch / 299.6mm	13.46inch / 341.8mm	14.60inch / 370.8mm
C	4.69inch / 119.0mm	4.95inch / 125.8mm	4.99inch / 126.8mm

Wall Mount Bracket Assembly

XWM-001

ARP-5500A/ADM-5800A
Wall Mount Bracket Assembly



	ARP-5515 A	ARP-5517 A	ARP-5519 A
A	14.51inch / 368.5mm	15.88inch / 403.3mm	17.80inch / 452.1mm
B	11.80inch / 299.6mm	13.46inch / 341.8mm	14.60inch / 370.8mm
C	4.69inch / 119.0mm	4.95inch / 125.8mm	4.99inch / 126.8mm

Ceiling Mount Assembly

XCM-001

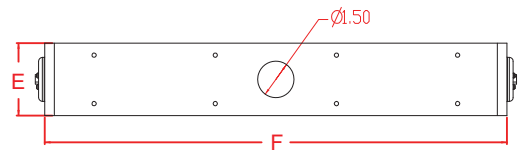
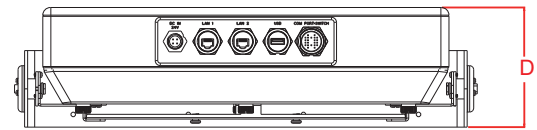
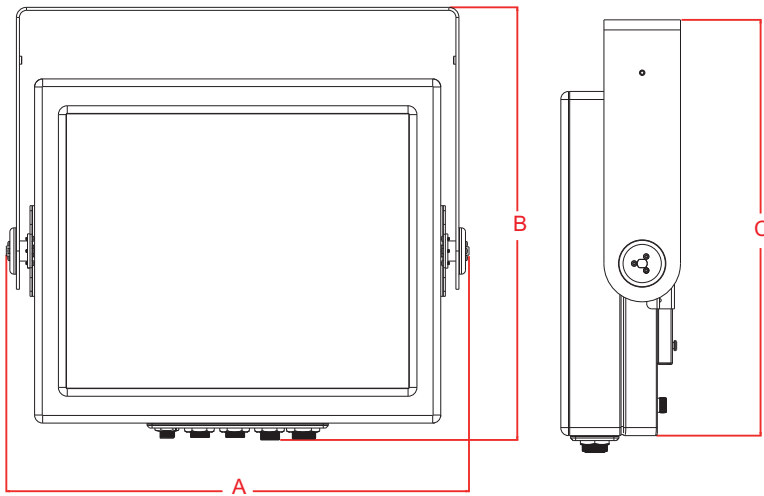
ARP-5515A/ADM-5815A Ceiling Mount Assembly

XCM-002

ARP-5517A/ADM-5817A Ceiling Mount Assembly

XCM-003

ARP-5519A/ADM-5819A Ceiling Mount Assembly



	ARP-5515 A	ARP-5517 A	ARP-5519 A
A	16.79 inch / 426.4 mm	18.09 inch / 459.4 mm	19.86 inch / 504.4 mm
B	15.30 inch / 388.6 mm	16.92 inch / 429.7 mm	18.05 inch / 469.9 mm
C	14.64 inch / 371.8 mm	16.26 inch / 412.9 mm	17.39 inch / 441.8 mm
D	4.41 inch / 112.0 mm	4.68 inch / 118.8 mm	4.72 inch / 119.8 mm
E	2.99 inch / 7.6 mm	2.99 inch / 7.6 mm	2.99 inch / 7.6 mm
F	16.00 inch / 40.6 mm	17.30 inch / 43.9 mm	19.07 inch / 48.4 mm

Bracket Assembly Options

Bracket Assembly	ARP-5515 A	ARP-5517 A	ARP-5519 A
Pedestal Mount	XTM-001	XTM-001	XTM-001
VESA Mount	XVM-001	XVM-001	XVM-001
Wall Mount	XWM-001	XWM-001	XWM-001
Benchtop Stand	XDS-001	XDS-002	XDS-003
Ceiling Mount	XCM-001	XCM-002	XCM-003

Accessories Options

Accessories	Description
XP Pro:	Windows XP Pro Operating System
XPe:	Windows XP Embedded Operating System
CA260A:	24 VDC Input power cord
CA265:	Waterproof USB (1m)
CA266:	Waterproof 22 pin Universal Cable (1.1m)
CA298:	Waterproof RJ45 Cable (3m)
PSA-150A-024:	110~220VAC Input, 24VDC Output 150W Power Adaptor
APM-004:	PSA-150A-024 Power Adaptor Mounting Bracket

Ordering Information

ARP-5515A

LCD Display	15 inch LCD
Touch Screen	5-Wire
All Stainless Steel	All Stainless Steel

	ARP-5515A-A00-006	ARP-5515A-A00-0007
CPU	VIA 1.5GHz C7	VIA 1.5GHz C7
Memory	1GB DDR	1GB DDR
Storage	N/A	N/A
Power Supply	DC 24V Input	110/220VAC Input
ACP Enabled	Yes	Yes

	ARP-5515A-D00-006	ARP-5515A-D00-0007
CPU	Core 2 Duo Mobile 1.83G	Core 2 Duo Mobile 1.83G
Memory	2GB DDR2-667	2GB DDR2-667
Storage	N/A	N/A
Power Supply	DC 24V Input	110/220VAC Input
ACP Enabled	Yes	Yes

ARP-5517A

LCD Display	17 inch LCD
Touch Screen	5-Wire
All Stainless Steel	All Stainless Steel

	ARP-5517A-A00-006	ARP-5517A-A00-0007
CPU	VIA 1.5GHz C7	VIA 1.5GHz C7
Memory	1GB DDR	1GB DDR
Storage	N/A	N/A
Power Supply	DC 24V Input	110/220VAC Input
ACP Enabled	Yes	Yes

	ARP-5517A-D00-006	ARP-5517A-D00-0007
CPU	Core 2 Duo Mobile 1.83G	Core 2 Duo Mobile 1.83G
Memory	2GB DDR2-667	2GB DDR2-667
Storage	N/A	N/A
Power Supply	DC 24V Input	110/220VAC Input
ACP Enabled	Yes	Yes

ARP-5519A

LCD Display	19 inch LCD
Touch Screen	5-Wire
All Stainless Steel	All Stainless Steel

	ARP-5519A-A00-006	ARP-5519A-A00-0007
CPU	VIA 1.5GHz C7	VIA 1.5GHz C7
Memory	1GB DDR	1GB DDR
Storage	N/A	N/A
Power Supply	DC 24V Input	110/220VAC Input
ACP Enabled	Yes	Yes

	ARP-5519A-D00-006	ARP-5519A-D00-0007
CPU	Core 2 Duo Mobile 1.83G	Core 2 Duo Mobile 1.83G
Memory	2GB DDR2-667	2GB DDR2-667
Storage	N/A	N/A
Power Supply	DC 24V Input	110/220VAC Input
ACP Enabled	Yes	Yes