



Smart Battery



USB 3.0



CFast

## **MicroBox-7824B E-Series**

---

### **ThinManager Ready Industrial Thin Clients**

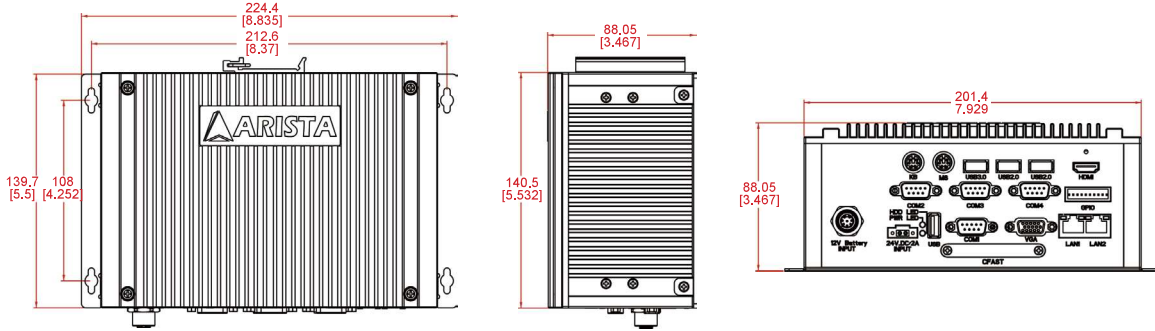


**THINMANAGER**

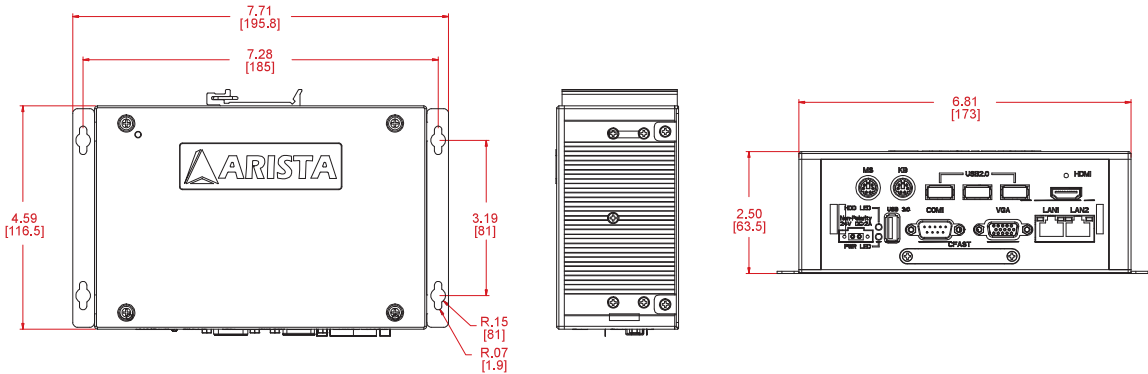
| Specifications                     | MicroBox-7824B-E01                                 | MicroBox-7824B-E02                                 |
|------------------------------------|--|--|
| <b>System</b>                      |  |  |
| CPU                                | Intel E3845 1.91GHz ATOM CPU                       | Intel E3845 1.91GHz ATOM CPU                       |
| Chipset                            | (By CPU)   | (By CPU)   |
| Memory                             | 4GB DDR3 SO-DIMM                                   | 4GB DDR3 SO-DIMM                                   |
| Video Controller                   | Intel Gen7 Intel Graphics DX 11, OGL3.2            | Intel Gen7 Intel Graphics DX 11, OGL3.2            |
| Video Interface                    | VGA, HDMI  | VGA, HDMI  |
| Storage Option                     | CFast card   | CFast card   |
| Compact Flash                      | N/A  | N/A  |
| Keyboard/Mouse                     | USB / PS2  | USB / PS2  |
| Audio                              | N/A  | N/A  |
| Watchdog Timer                     | YES  | YES  |
| Remote Boot                        | ACP, PXE   | ACP, PXE   |
| <b>I/O Communication</b>           |  |  |
| USB Port                           | 1 x USB 3.0, 3 x USB 2.0                           | 1 x USB 3.0, 3 x USB 2.0                           |
| Serial Port                        | 1 x RS-232/422/485, 3x RS-232                      | 1 x RS-232/422/485                                 |
| LAN                                | 2 x Gigabit  | 2 x Gigabit  |
| Parallel                           | N/A  | N/A  |
| GPIO                               | 4 x DI, 4 x DO                                     | N/A  |
| <b>ThinManager Support</b>         |  |  |
| ThinManager Support                | ThinManager 6 & Up                                 | ThinManager 6 & Up                                 |
| <b>Power / Thermal Specs</b>       |  |  |
| Power Requirement (Max)            | 24VDC / 0.7A                                       | 24VDC / 0.7A                                       |
| Power Consumption (Max)            | 17 W   | 17 W   |
| Recommended Power Supply           | 24 W   | 24 W   |
| Heat Dissipation                   | 58 BTU/hr  | 58 BTU/hr  |
| <b>Physical Information</b>        |  |  |
| Mounting                           | Wall Mount, DIN-Rail Mount                         | Wall Mount, DIN-Rail Mount                         |
| Net Weight                         | 5.1 Lbs / 2.3Kg                                    |  |
| Physical Dimension (WxHxD)         | 8.84 x 3.16 x 5.50 inch<br>224.4 x 139.7 x 80.2 mm | 7.71 x 2.50 x 4.59 inch<br>195.8 x 63.5 x 116.5 mm |
| Recommended cutout Dimension (WxH) | N/A  | N/A  |
| <b>Environmental</b>               |  |  |
| Operating Temperature              | 0~50°C (32~122°F)                                  | 0~50°C (32~122°F)                                  |
| Storage Temperature                | -20~60°C (-4~140°F)                                | -20~60°C (-4~140°F)                                |
| Relative Humidity                  | 0~95%  | 0~95%  |
| IP/NEMA Rating                     | meets IP50   | meets IP50   |
| Certification                      | FCC, CE, UL 508                                    |  |

| <b>Ordering Information</b> |                               |                                  |
|-----------------------------|-------------------------------|----------------------------------|
|                             | <b>MicroBox-7824B-E01-003</b> | <b>MicroBox-7824B-E01-003-DR</b> |
| CPU                         | E3845 ATOM CPU                | E3845 ATOM CPU                   |
| Memory                      | 4GB DDR3                      | 4GB DDR3                         |
| Storage                     | N/A                           | N/A                              |
| Remote Boot                 | ACP Enable                    | ACP Enable                       |
| Power Supply                | 110/220VAC Input              | 110/220VAC Input DIN-Rail        |
|                             | <b>MicroBox-7824B-E01-P03</b> | <b>MicroBox-7824B-E01-P03-DR</b> |
| CPU                         | N2800 ATOM CPU                | N2800 ATOM CPU                   |
| Memory                      | 4GB DDR3                      | 4GB DDR3                         |
| Storage                     | N/A                           | N/A                              |
| Remote Boot                 | PXE                           | PXE                              |
| Power Supply                | 110/220VAC Input              | 110/220VAC Input DIN-Rail        |
|                             | <b>MicroBox-7824B-E02-003</b> | <b>MicroBox-7824B-E02-003-DR</b> |
| CPU                         | E3845 ATOM CPU                | E3845 ATOM CPU                   |
| Memory                      | 4GB DDR3                      | 4GB DDR3                         |
| Storage                     | N/A                           | N/A                              |
| Remote Boot                 | ACP Enable                    | ACP Enable                       |
| Power Supply                | 110/220VAC Input              | 110/220VAC Input DIN-Rail        |
|                             | <b>MicroBox-7824B-E02-P03</b> | <b>MicroBox-7824B-E02-P03-DR</b> |
| CPU                         | E3845 ATOM CPU                | E3845 ATOM CPU                   |
| Memory                      | 4GB DDR3                      | 4GB DDR3                         |
| Storage                     | N/A                           | N/A                              |
| Remote Boot                 | PXE                           | PXE                              |
| Power Supply                | 110/220VAC Input              | 110/220VAC Input DIN-Rail        |

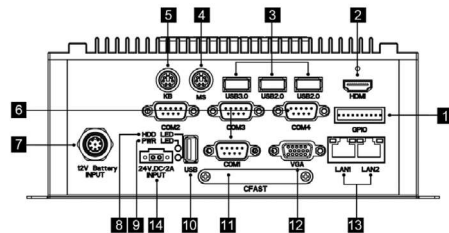
## MicroBox-7824B-E01



## MicroBox-7824B-E02

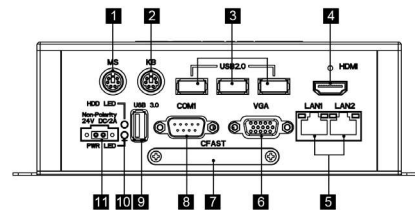


## I/O Connections



- |                                 |   |
|---------------------------------|---|
| 1 GPIO port                     | 8 HDD LED: Hard disk driver LED indicator |
| 2 HDMI port                     | 9 PWR LED: Power LED indicator            |
| 3 x USB port                    | 10 1 x USB port                           |
| 4 PS/2 Keyboard Port            | 11 CFAST slot                             |
| 5 PS/2 Mouse Port               | 12 1 x VGA connector                      |
| 6 COM1, COM2, COM3, COM4 port   | 13 2 x LAN RJ-45 Port                     |
| 7 Battery power input connector | 14 DC-IN power connector                  |

MicroBox-7824B-E01



- |                           |  |
|---------------------------|--|
| 1 PS/2 Mouse connector    | 7 CFAST card slot                        |
| 2 PS/2 Keyboard connector | 8 Serial ports (COM1)                    |
| 3 USB3.0 port x 1         | 9 USB3.0 port x 1                        |
| 4 HDMI port               | 10 Power LED(up)/HDD LED(down) indicator |
| 5 RJ45 LAN port x 2       | 11 24V DC-IN power connector             |
| 6 VGA port                |  |

MicroBox-7824B-E02