

Features

- ▶ 15 inch Active Matrix TFT LCD Display
- ▶ Native Resolution at 1024 x 768
- ▶ 5-Wire Resistive Touch Screen
- ▶ Intel Pentium-M CPU
- ▶ Up to 1GB DDR Memory
- ▶ One 2.5" IDE HDD
- ▶ Slim DVD/CD-RW Drive



1 x Gigabit



Fanless



6x USB 2.0

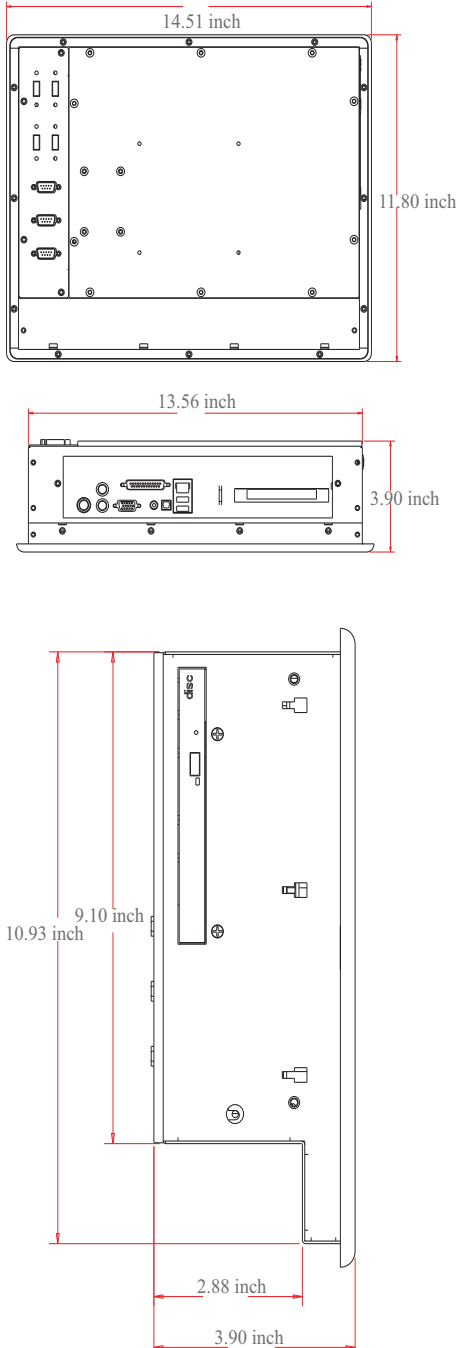


1x RS-232



ARP-2015BP



Specifications	ARP-2015BP- C00	Line Drawing
LCD Display		
Display Size (Diagnol)	15 inch	
Resolution	1024 x 768	
Backlight Lifetime (Hours)	30,000	
Visual Characteristics		
Colors	16 Million	
Aspect ratio	4:3	
Viewing angle (V/H)	120° / 130°	
Response time(Typical)	12 ms	
Pixel Pitch(mm)	0.297 x 0.297	
Contrast ratio	500:1	
Brightness	250 nits	
Touch Screen		
Technology	5 Wire Resistive	
Touch rating	35 Million Touches	
MTBF	490,000 hours	
Interface	RS-232	
Driver	WinXP Pro, XPe	
Front Bezel		
NEMA 4	Black Powder Coated	
NEMA 4x	Stainless Steel (Optional)	
System		
CPU	Intel Pentium-M	
Chipset	855GME	
Memory	Up to 1GB DDR Memory	
Video Controller	855GME Integrated VGA	
Video Interface	LVDS, VGA	
Storage Option	1x 2.5" IDE HDD (optional)	
Compact Flash	N/A	
Keyboard/Mouse	2 x PS/2 Connectors	
Audio	Audio in, Audio Out	
Watchdog Timer	Programmable 1 - 255 sec	
Expansion Slot	1 x PCI	
I/O Communication		
USB Port	6 x USB 2.0	
Serial Port	1 x RS-232	
IEEE 1394	N/A	
LAN	1 x Gigabit LAN	
Parallel	1 x Port	
OS Support		
OS Support	WinXP Pro, XPe	
Power/Thermal Specs.		
Power Requirement (Max)	120VAC/0.775A, 24VDC/3.8A	
Power Consumption (Max)	93W	
Heat Dissipation	317 BTU/hr	
Physical Information		
Mounting	Panel Mount	
Net Weight	15 Lbs / 7 Kg	
Physical Dimension (WxHxD)	14.51 x 11.80 x 3.90 inch 368.6 x 299.8 x 99.0 mm	
Cutout Dimension (WxH)	13.65 x 11.02 inch 346.7 x 279.8 mm	
Environmental		
Operating Temp	0° - 50° C (32° - 122° F)	
Storage Temp	-20° - 60° C (-4° - 140° F)	
Relative Humidity	5% - 95% (non-condensing)	
Rating	NEMA 4/4X	
Certification	UL508 NRAQ Programmable Controller	

- 1 ARP 1700 Series
- 2 ARP 2200 Series
- 3 ARP 3600 Series
- 4 ARP 5500AX Series
- 5 ADM 1500 Series
- 6 ADM 1800 Series
- 7 ADM 5800 Series
- 8 ARD 1000
- 9 Box PC
- 10 AMA Series
- 11 AMS Series
- 12 AVW Series
- 13 Thin Clients
- 14 MPC Series
- 15 RS Series

Features

- 15 inch Active Matrix TFT LCD Display
- Native Resolution at 1024 x 768
- 5-Wire Resistive Touch Screen
- One 2.5" SATA HDD
- Slim DVD/CD-RW Drive
- 24VDC Input Operating Voltage
- Fanless Cooling
- ACP version available



2 x Gigabit



Fanless



6x USB 2.0



5x RS-232



ARP-2215AP



Specifications	ARP-2215 AP- A00	ARP-2215 AP- D00
LCD Display		
Display Size (Diagnol)	15 inch	15 inch
Resolution	1024 x 768	1024 x 768
Backlight Lifetime (Hours)	30,000	30,000
Visual Characteristics		
Colors	16 Million	16 Million
Aspect ratio	4:3	4:3
Viewing angle (V/H)	120° / 130°	120° / 130°
Response time(Typical)	12 ms	12 ms
Pixel Pitch(mm)	0.297 x 0.297	0.297 x 0.297
Contrast ratio	500:1	500:1
Brightness	250 nits	250 nits
Touch Screen		
Technology	5 Wire Resistive	5 Wire Resistive
Touch rating	35 Million Touches	35 Million Touches
MTBF	490,000 hours	490,000 hours
Interface	RS-232	RS-232
Driver	WinXP Pro, XPe	WinXP Pro
Front Bezel		
NEMA 4	Black Powder Coated	Black Powder Coated
NEMA 4x	Stainless Steel (Optional)	Stainless Steel (Optional)
System		
CPU	VIA 1.5GHz C7 CPU	Core 2 Duo Mobile
Chipset	VIA CN 700	GME965 + ICH8M
Memory	Up to 1GB	Up to 4GB
Video Controller	CN 700 Integrated S3 Graphic Engine	GME965 GMA X3100
Video Interface	LVDS, VGA	LVDS, VGA, DVI
Storage Option	2.5"SATA HDD	2.5"SATA HDD
Compact Flash	Optional CF	N/A
Keyboard/Mouse	2 x PS/2 Connectors	2 x PS/2 Connectors
Audio	N/A	N/A
Watchdog Timer	Programmable 1 - 255 sec	Programmable 1 - 255 sec
Expansion Slot	1 x PCI	1 x PCI
I/O Communication		
USB Port	6 x USB 2.0	6 x USB 2.0
Serial Port	4 x RS-232, 1 x RS-232/422/485	4 x RS-232, 1 x RS-232/422/485
IEEE 1394	N/A	N/A
LAN	Dual Gigabit LAN	Dual Gigabit LAN
Parallel	1 x Port	N/A
OS Support		
OS Support	WinXP Pro, XPe	WinXP Pro
Power/Thermal Specs.		
Power Requirement (Max)	120VAC/0.775A, 24VDC/3.8A	120VAC/0.96A, 24VDC/3.8A
Power Consumption (Max)	93W	115W
Heat Dissipation	317 BTU/hr	391 BTU/hr
Physical Information		
Mounting	Panel Mount	Panel Mount
Net Weight	19 Lbs / 8 Kg	19 Lbs / 8 Kg
Physical Dimension (WxHxD)	14.5 x 11.0 x 4.5 inch 368.5 x 298.8 x 114.8 mm	14.5 x 11.0 x 4.5 inch 368.5 x 298.8 x 114.8 mm
Cutout Dimension (WxH)	13.65 x 11.02 inch 346.7 x 279.8 mm	13.65 x 11.02 inch 346.7 x 279.8 mm
Environmental		
Operating Temp	0° - 50° C (32° - 122° F)	0° - 50° C (32° - 122° F)
Storage Temp	-20° - 60° C (-4° - 140° F)	-20° - 60° C (-4° - 140° F)
Relative Humidity	5% - 95% (non-condensing)	5% - 95% (non-condensing)
Rating	NEMA 4/4X Bezel	NEMA 4/4X Bezel
Certification		

Features

- 17 inch Active Matrix TFT LCD Display
- Native Resolution at 1280 x 1024
- 5-Wire Resistive Touch Screen
- Up to two 2.5" SATA HDD
- Slim DVD/CD-RW Drive
- 24VDC Input Operating Voltage
- Fanless Cooling
- ACP version available



ARP-2217AP



- 1 ARP 1700 Series
- 2 ARP 2200 Series
- 3 ARP 3600 Series
- 4 ARP 5500AX Series
- 5 ADM 1500 Series
- 6 ADM 1800 Series
- 7 ADM 5800 Series
- 8 ARD 1000
- 9 Box PC
- 10 AMA Series
- 11 AMS Series
- 12 AVW Series
- 13 Thin Clients
- 14 MPC Series
- 15 RS Series

Specifications	ARP-2217 AP- A00	ARP-2217 AP- D00
LCD Display		
Display Size (Diagnol)	17 inch	17 inch
Resolution	1280 x 1024	1280 x 1024
Backlight Lifetime (Hours)	50,000	50,000
Visual Characteristics		
Colors	16 Million	16 Million
Aspect ratio	4:3	4:3
Viewing angle (V/H)	140° / 140°	140° / 140°
Response time(Typical)	12 ms	12 ms
Pixel Pitch(mm)	0.264 x 0.264	0.264 x 0.264
Contrast ratio	800:1	800:1
Brightness	300 nits	300 nits
Touch Screen		
Technology	5 Wire Resistive	5 Wire Resistive
Touch rating	35 Million Touches	35 Million Touches
MTBF	490,000 hours	490,000 hours
Interface	RS-232	RS-232
Driver	WinXP Pro, XPe	WinXP Pro
Front Bezel		
NEMA 4	Black Powder Coated	Black Powder Coated
NEMA 4x	Stainless Steel (Optional)	Stainless Steel (Optional)
System		
CPU	VIA 1.5GHz C7 CPU	Core 2 Duo Mobile
Chipset	VIA CN 700	GME965 + ICH8M
Memory	Up to 1GB	Up to 4GB
Video Controller	CN 700 Integrated S3 Graphic Engine	GME965 GMA X3100
Video Interface	LVDS + VGA	LVDS, VGA, DVI
Storage Option	Up to 2 x 2.5" SATA HDD, RAID 0/1 support	Up to 2 x 2.5" SATA HDD
Compact Flash	Optional CF	N/A
Keyboard/Mouse	2 x PS/2 Connectors	2 x PS/2 Connectors
Audio	N/A	N/A
Watchdog Timer	Programmable 1 - 255 sec	Programmable 1 - 255 sec
Expansion Slot	1 x PCI	1 x PCI
I/O Communication		
USB Port	6 x USB 2.0	6 x USB 2.0
Serial Port	4 x RS-232, 1 x RS-232/422/485	4 x RS-232, 1 x RS-232/422/485
IEEE 1394	N/A	N/A
LAN	Dual Gigabit LAN	Dual Gigabit LAN
Parallel	1 x Port	N/A
OS Support		
OS Support	WinXP Pro, XPe	WinXP Pro
Power/Thermal Specs.		
Power Requirement (Max)	120VAC/0.775A, 24VDC/3.8A	120VAC/0.96A, 24VDC/3.8A
Power Consumption (Max)	108W	130W
Heat Dissipation	368 BTU/hr	442 BTU/hr
Physical Information		
Mounting	Panel Mount	Panel Mount
Net Weight	21 Lbs / 9 Kg	21 Lbs / 9 Kg
Physical Dimension (WxHxD)	15.8 x 13.3 x 4.8 inch 403.3 x 338.8 x 123.5 mm	15.8 x 13.3 x 4.8 inch 403.3 x 338.8 x 123.5 mm
Cutout Dimension (WxH)	14.97 x 12.43 inch 380.2 x 315.7 mm	14.97 x 12.43 inch 380.2 x 315.7 mm
Environmental		
Operating Temp	0° - 50° C (32° - 122° F)	0° - 50° C (32° - 122° F)
Storage Temp	-20° - 60° C (-4° - 140° F)	-20° - 60° C (-4° - 140° F)
Relative Humidity	5% - 95% (non-condensing)	5% - 95% (non-condensing)
Rating	NEMA 4/4X Bezel	NEMA 4/4X Bezel
Certification		

Features

- 19 inch Active Matrix TFT LCD Display
- Native Resolution at 1280 x 1024
- 5-Wire Resistive Touch Screen
- Up to two 2.5" SATA HDD
- Slim DVD/CD-RW Drive
- 24VDC Input Operating Voltage
- Fanless Cooling
- ACP version available



2 x Gigabit



Fanless



6x USB 2.0



5x RS-232



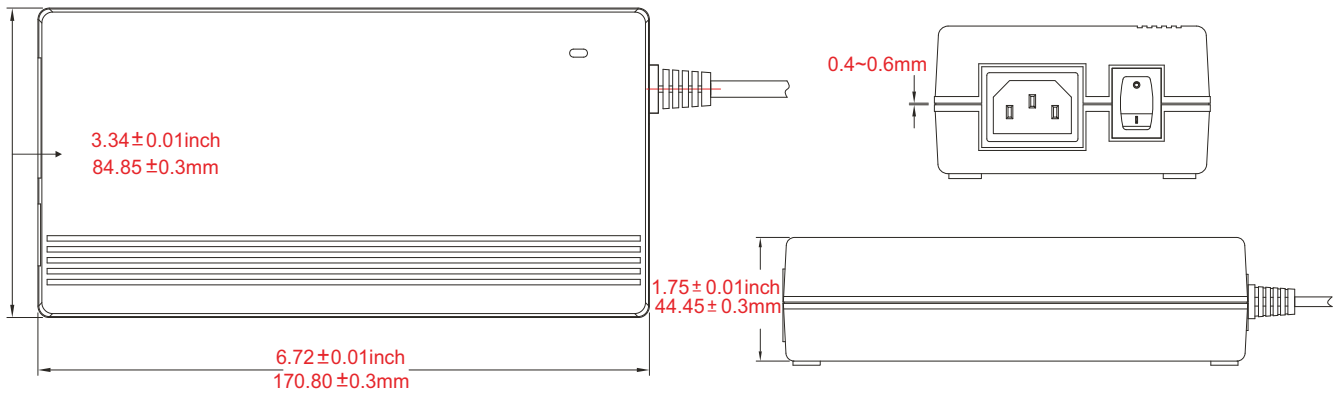
ARP-2219AP



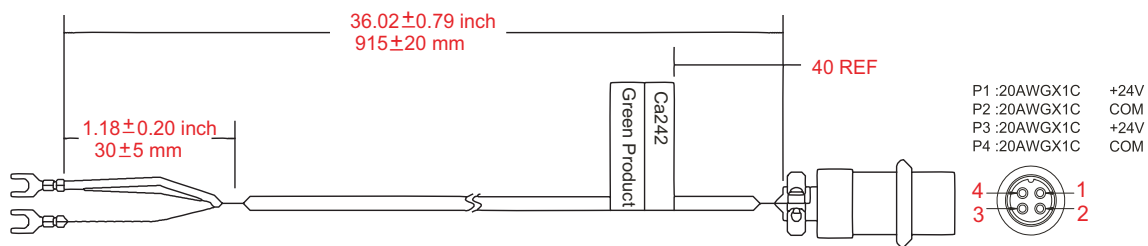
Specifications	ARP-2219 AP- A00	ARP-2219 AP- D00
LCD Display		
Display Size (Diagnol)	19 inch	19 inch
Resolution	1280 x 1024	1280 x 1024
Backlight Lifetime (Hours)	50,000	50,000
Visual Characteristics		
Colors	16 Million	16 Million
Aspect ratio	4:3	4:3
Viewing angle (V/H)	178° / 178°	178° / 178°
Response time(Typical)	20 ms	20 ms
Pixel Pitch(mm)	0.294 x 0.294	0.294 x 0.294
Contrast ratio	700:1	700:1
Brightness	300 nits	300 nits
Touch Screen		
Technology	5 Wire Resistive	5 Wire Resistive
Touch rating	35 Million Touches	35 Million Touches
MTBF	490,000 hours	490,000 hours
Interface	RS-232	RS-232
Driver	WinXP Pro, XPe	WinXP Pro
Front Bezel		
NEMA 4	Black Powder Coated	Black Powder Coated
NEMA 4x	Stainless Steel (Optional)	Stainless Steel (Optional)
System		
CPU	VIA 1.5GHz C7 CPU	Core 2 Duo Mobile
Chipset	VIA CN 700	GME965 + ICH8M
Memory	Up to 1GB	Up to 4GB
Video Controller	CN 700 Integrated S3 Graphic Engine	GME965 GMA X3100
Video Interface	LVDS, VGA	LVDS, VGA, DVI
Storage Option	Up to 2 x 2.5" SATA HDD, RAID 0/1 support	Up to 2 x 2.5" SATA HDD
Compact Flash	Optional CF	N/A
Keyboard/Mouse	2 x PS/2 Connectors	2 x PS/2 Connectors
Audio	N/A	N/A
Watchdog Timer	Programmable 1 - 255 sec	Programmable 1 - 255 sec
Expansion Slot	1 x PCI	1 x PCI
I/O Communication		
USB Port	6 x USB 2.0	6 x USB 2.0
Serial Port	4 x RS-232, 1 x RS-232/422/485	4 x RS-232, 1 x RS-232/422/485
IEEE 1394	N/A	N/A
LAN	Dual Gigabit LAN	Dual Gigabit LAN
Parallel	1 x Port	N/A
OS Support		
OS Support	WinXP Pro, XPe	WinXP Pro
Power/Thermal Specs.		
Power Requirement (Max)	120VAC/0.775A, 24VDC/3.8A	120VAC/0.96A, 24VDC/3.8A
Power Consumption (Max)	113W	135W
Heat Dissipation	385 BTU/hr	459 BTU/hr
Physical Information		
Mounting	Panel Mount	Panel Mount
Net Weight	25 Lbs / 11 Kg	25 Lbs / 11 Kg
Physical Dimension (WxHxD)	17.8 x 14.6 x 4.8 inch 452.1 x 370.8 x 123.5 mm	17.8 x 14.6 x 4.8 inch 452.1 x 370.8 x 123.5 mm
Cutout Dimension (WxH)	16.90 x 13.70 inch 429.2 x 347.9 mm	16.90 x 13.70 inch 429.2 x 347.9 mm
Environmental		
Operating Temp	0° - 50° C (32° - 122° F)	0° - 50° C (32° - 122° F)
Storage Temp	-20° - 60° C (-4° - 140° F)	-20° - 60° C (-4° - 140° F)
Relative Humidity	5% - 95% (non-condensing)	5% - 95% (non-condensing)
Rating	NEMA 4/4X Bezel	NEMA 4/4X Bezel
Certification		

ARP-2200AP Series Power Supply

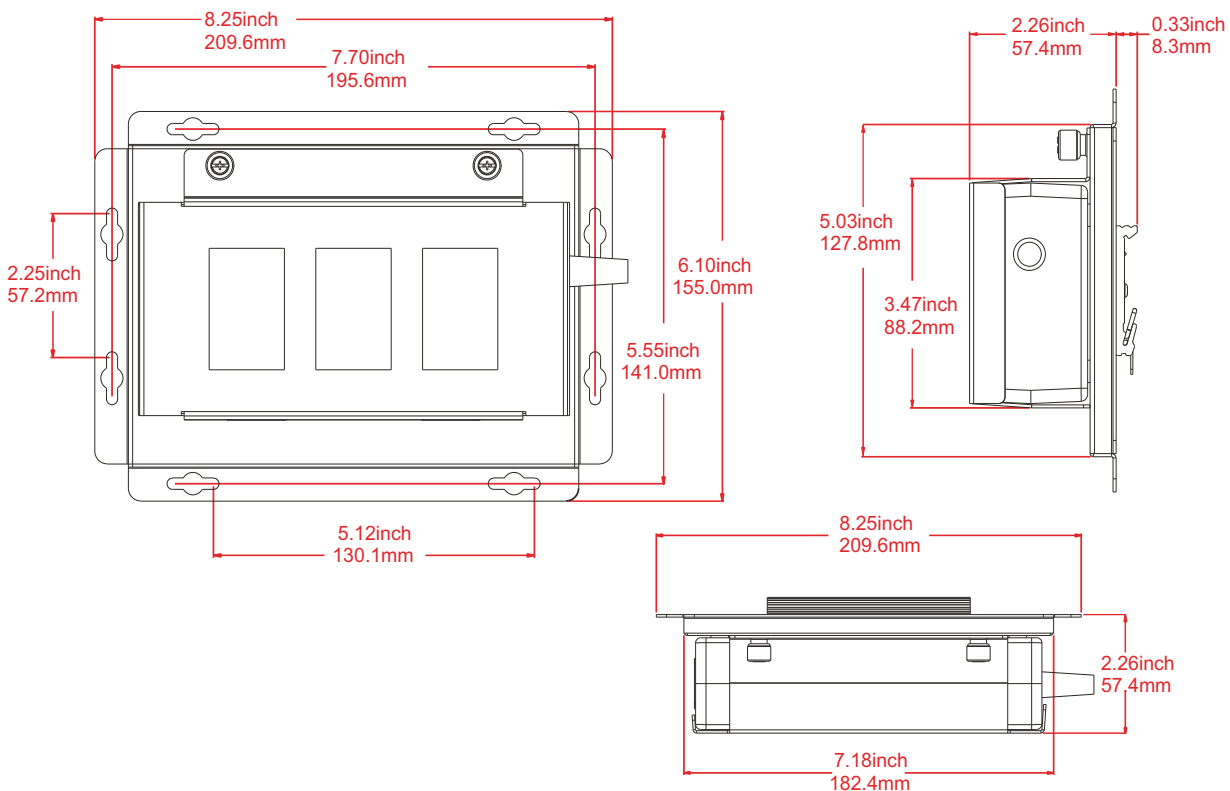
Model: PSA-150A-024 (110~220 VAC Input, 24 VDC Output power supply)



Model : CA242 (3 feet 24 VDC Input power cord)

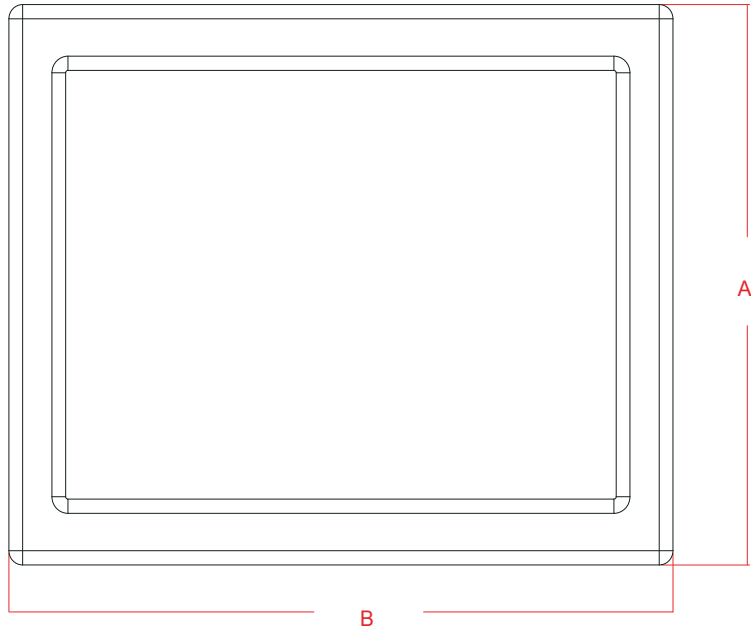
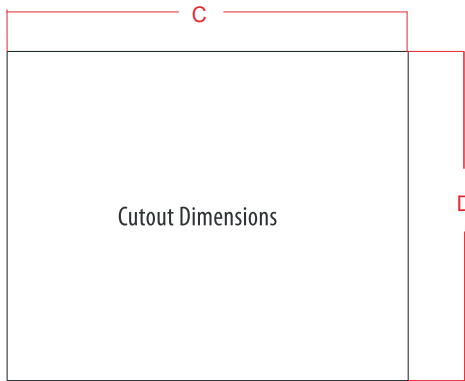


APM - 004 Mounting Bracket Line Drawing

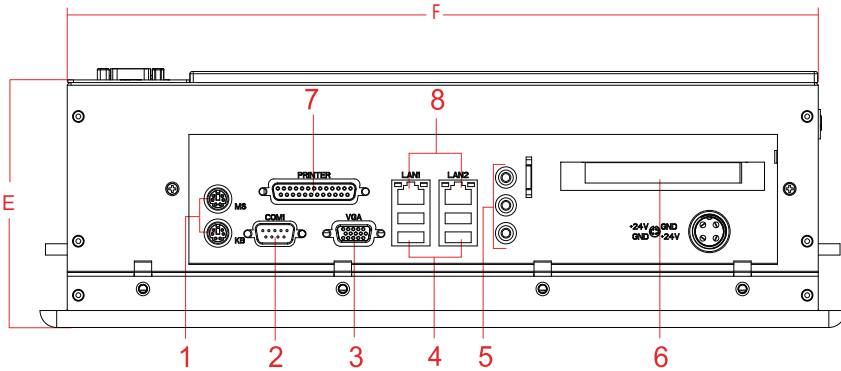


1	ARP 1700 Series
2	ARP 2200 Series
3	ARP 3600 Series
4	ARP 5500AX Series
5	ADM 1500 Series
6	ADM 1800 Series
7	ADM 5800 Series
8	ARD 1000
9	Box PC
10	AMA Series
11	AMS Series
12	AVW Series
13	Thin Clients
14	MPC Series
15	RS Series

ARP-2200 Series Line Drawing

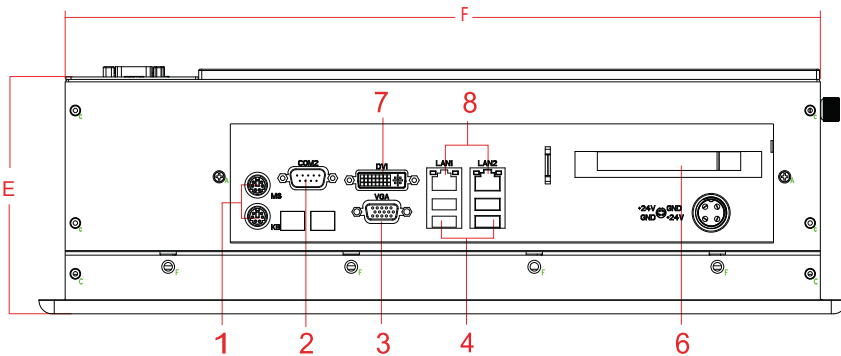


ARP 2200 A00 Series I/O



- 1 = PS2
- 2 = RS 232
- 3 = VGA
- 4 = USB
- 5 = Audio In/Out + Mic
- 6 = CD/DVD
- 7 = Parallel Port
- 8 = Ethernet Port

ARP 2200 D00 Series I/O



- 1 = PS2
- 2 = RS 232
- 3 = VGA
- 4 = USB
- 5 = Audio In/Out + Mic
- 6 = CD/DVD
- 7 = DVI
- 8 = Ethernet Port

	ARP-2215AP-A00-0xx	ARP-2215AP-A00-Bxx	ARP-2215AP-A00-Cxx
A	11.80 inch / 298.8 mm	13.0	14.0
B	14.51 inch / 368.6 mm	15.0	17.0
C	13.65 inch / 346.7 mm	14.0	16.0
D	11.02 inch / 279.8 mm	12.0	13.0
E	4.52 inch / 114.9 mm	4.80	4.80
F	13.52 inch / 343.7 mm	14.0	16.7
	ARP-2215AP-D00	ARP-2217AP-A00/D00	ARP-2219AP-A00/D00
A	11.80 inch / 298.8 mm	13.34 inch / 338.8 mm	14.60 inch / 370.8 mm
B	14.51 inch / 368.6 mm	15.88 inch / 403.4 mm	17.80 inch / 452.1 mm
C	13.65 inch / 346.7 mm	14.97 inch / 380.2 mm	16.90 inch / 429.2 mm
D	11.02 inch / 279.8 mm	12.43 inch / 315.7 mm	13.70 inch / 347.9 mm
E	4.52 inch / 114.9 mm	4.86 inch / 123.5 mm	4.86 inch / 123.5 mm
F	13.52 inch / 343.7 mm	14.85 inch / 377.2 mm	16.77 inch / 426.2 mm

Features

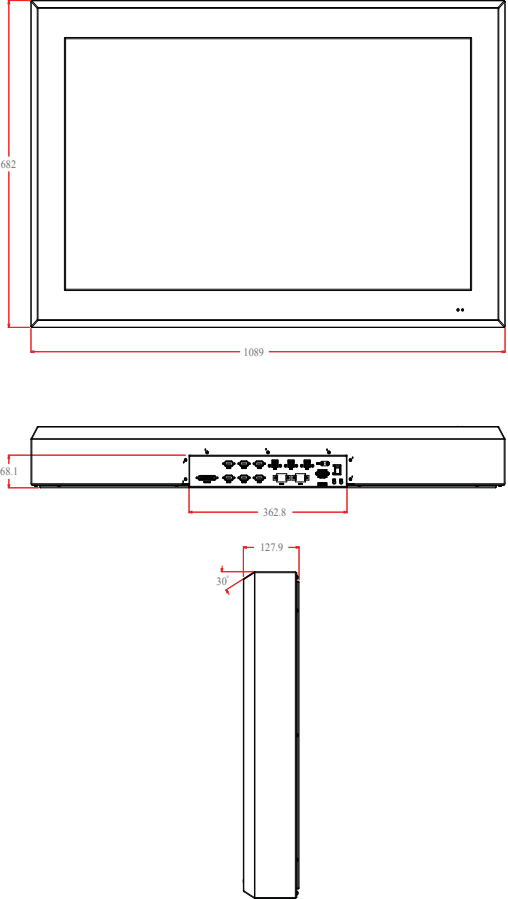
- ▶ 42 inch 16:9 Wide Screen TFT LCD
- ▶ LCD Protected By Tempered Glass
- ▶ Optional IR Touch Screen
- ▶ Intel Core 2 Duo CPU
- ▶ Up to 4 GB DDR2-667 Memory
- ▶ 2.5" IDE HDD Option
- ▶ IP 50 Enclosure



ARP-2242BP-D00



- 1 ARP 1700 Series
- 2 ARP 2200 Series
- 3 ARP 3600 Series
- 4 ARP 5500AX Series
- 5 ADM 1500 Series
- 6 ADM 1800 Series
- 7 ADM 5800 Series
- 8 ARD 1000
- 9 Box PC
- 10 AMA Series
- 11 AMS Series
- 12 AVW Series
- 13 Thin Clients
- 14 MPC Series
- 15 RS Series

Specifications	ARP-2242BP-D00	Line Drawing
LCD Display		
Display Size (Diagnol)	42 inch	
Resolution	1920 x 1080	
Backlight Lifetime (Hours)	50,000	
Visual Characteristics		
Colors	16 Million	
Aspect ratio	16:9	
Viewing angle (V/H)	178° / 178°	
Response time(Typical)	6.5 ms	
Pixel Pitch(mm)	0.485 x 0.485	
Contrast ratio	2500:1	
Brightness	500 nits	
Touch Screen		
Technology	Infrared (optional)	
Touch rating	27 Million Touches	
MTBF	300,000 hours	
Interface	RS-232	
Driver	XP, Windows 7	
Front Bezel		
NEMA 4	Black Powder Coated	
NEMA 4x	N/A	
System		
CPU	Core 2 Duo Mobile	
Chipset	GME965 + ICH8M	
Memory	Up to 4GB	
Video Controller	GME965 GMA X3100	
Video Interface	VGA	
Storage Option	1x 2.5" SATA HDD	
Compact Flash	N/A	
Keyboard/Mouse	N/A	
Audio	N/A	
Watchdog Timer	Programmable 1 - 255 sec	
Expansion Slot	N/A	
I/O Communication		
USB Port	6 x USB 2.0	
Serial Port	4 x RS-232, 1 x RS-232/422/485	
IEEE 1394	N/A	
LAN	Dual Gigabit LAN	
Parallel	1 x Port	
OS Support		
OS Support	XP, Windows 7	
Power/Thermal Specs.		
Power Requirement (Max)	110VAC/3.0A, 220VAC/1.5A	
Power Consumption (Max)	330W	
Heat Dissipation	1126 BTU/hr	
Physical Information		
Mounting	Vesa Mount	
Net Weight	110 Lbs / 55 Kg	
Physical Dimension (WxHxD)	42.76 x 26.73 x 5.04 inch 1086.0 x 678.9 x 128.0 mm	
Environmental		
Operating Temp	0° - 40° C (32° - 104° F)	
Storage Temp	-20° - 60° C (-4° - 140° F)	
Relative Humidity	5% - 95% (non-condensing)	
Rating	N/A	
Certification	N/A	

Ordering Information	Standard	ACP Enabled
-----------------------------	-----------------	--------------------

ARP-2215AP-A00	Black Color Bezel	ARP-2215AP-A00-000	ARP-2215AP-A00-001	ARP-2215AP-A00-002	ARP-2215AP-A00-003
LCD Display	15 inch	Bezel	Black Color Bezel	Black Color Bezel	Black Color Bezel
Touch Screen	5-Wire Resistive	Power Supply	DC 24V Input	110/220 VAC Input	DC 24V Input
CPU	VIA 1.5 GHz C7	ACP Enabled	N/A	N/A	Yes
Memory	1 GB DDR	Storage	160GB 2.5" SATA HDD	160GB 2.5" SATA HDD	N/A
		Stainless Steel Bezel	ARP-2215AP-A00-004	ARP-2215AP-A00-005	ARP-2215AP-A00-006
Bezel	Stainless Steel Bezel	Power Supply	DC 24V Input	110/220 VAC Input	DC 24V Input
Power Supply	DC 24V Input	ACP Enabled	N/A	N/A	Yes
ACP Enabled	N/A	Storage	160GB 2.5" SATA HDD	160GB 2.5" SATA HDD	N/A
Storage	160GB 2.5" SATA HDD			ARP-2215AP-A00-B02	ARP-2215AP-A00-B03
		Black Color Bezel	ARP-2215AP-A00-B00	ARP-2215AP-A00-B01	ARP-2215AP-A00-B02
Bezel	Black Color Bezel	Power Supply	DC 24V Input	110/220 VAC Input	DC 24V Input
Power Supply	DC 24V Input	ACP Enabled	N/A	N/A	Yes
ACP Enabled	N/A	Storage	160GB 2.5" SATA HDD	160GB 2.5" SATA HDD	N/A
Storage	160GB 2.5" SATA HDD			ARP-2215AP-A00-B06	ARP-2215AP-A00-B07
		Stainless Steel Bezel	ARP-2215AP-A00-B04	ARP-2215AP-A00-B05	ARP-2215AP-A00-B06
Bezel	Stainless Steel Bezel	Power Supply	DC 24V Input	110/220 VAC Input	DC 24V Input
Power Supply	DC 24V Input	ACP Enabled	N/A	N/A	Yes
ACP Enabled	N/A	Storage	160GB 2.5" SATA HDD	160GB 2.5" SATA HDD	N/A
Storage	160GB 2.5" SATA HDD			ARP-2215AP-A00-B06	ARP-2215AP-A00-B07

ARP-2215AP-D00	Black Color Bezel	ARP-2215AP-D00-000	ARP-2215AP-D00-001	ARP-2215AP-D00-002	ARP-2215AP-D00-003
LCD Display	15 inch	Bezel	Black Color Bezel	Black Color Bezel	Black Color Bezel
Touch Screen	5-Wire Resistive	Power Supply	DC 24V Input	110/220 VAC Input	DC 24V Input
CPU	1.83 GHz Core 2 Duo Mobile	ACP Enabled	N/A	N/A	Yes
Memory	2GB DDR2-667	Storage	160GB 2.5" SATA HDD	160GB 2.5" SATA HDD	N/A
		Stainless Steel Bezel	ARP-2215AP-D00-004	ARP-2215AP-D00-005	ARP-2215AP-D00-006
Bezel	Stainless Steel Bezel	Power Supply	DC 24V Input	110/220 VAC Input	DC 24V Input
Power Supply	DC 24V Input	ACP Enabled	N/A	N/A	Yes
ACP Enabled	N/A	Storage	160GB 2.5" SATA HDD	160GB 2.5" SATA HDD	N/A
Storage	160GB 2.5" SATA HDD			ARP-2215AP-D00-006	ARP-2215AP-D00-007

ARP-2217AP-A00	Black Color Bezel	ARP-2217AP-A00-000	ARP-2217AP-A00-001	ARP-2217AP-A00-002	ARP-2217AP-A00-003
LCD Display	17 inch	Bezel	Black Color Bezel	Black Color Bezel	Black Color Bezel
Touch Screen	5-Wire Resistive	Power Supply	DC 24V Input	110/220 VAC Input	DC 24V Input
CPU	VIA 1.5 GHz C7	ACP Enabled	N/A	N/A	Yes
Memory	1 GB DDR	Storage	160GB 2.5" SATA HDD	160GB 2.5" SATA HDD	N/A
		Stainless Steel Bezel	ARP-2217AP-A00-004	ARP-2217AP-A00-005	ARP-2217AP-A00-006
Bezel	Stainless Steel Bezel	Power Supply	DC 24V Input	110/220 VAC Input	DC 24V Input
Power Supply	DC 24V Input	ACP Enabled	N/A	N/A	Yes
ACP Enabled	N/A	Storage	160GB 2.5" SATA HDD	160GB 2.5" SATA HDD	N/A
Storage	160GB 2.5" SATA HDD			ARP-2217AP-A00-006	ARP-2217AP-A00-007

ARP-2217AP-D00	Black Color Bezel	ARP-2217AP-D00-000	ARP-2217AP-D00-001	ARP-2217AP-D00-002	ARP-2217AP-D00-003
LCD Display	17 inch	Bezel	Black Color Bezel	Black Color Bezel	Black Color Bezel
Touch Screen	5-Wire Resistive	Power Supply	DC 24V Input	110/220 VAC Input	DC 24V Input
CPU	1.83 GHz Core 2 Duo Mobile	ACP Enabled	N/A	N/A	Yes
Memory	2GB DDR2-667	Storage	160GB 2.5" SATA HDD	160GB 2.5" SATA HDD	N/A
		Stainless Steel Bezel	ARP-2217AP-D00-004	ARP-2217AP-D00-005	ARP-2217AP-D00-006
Bezel	Stainless Steel Bezel	Power Supply	DC 24V Input	110/220 VAC Input	DC 24V Input
Power Supply	DC 24V Input	ACP Enabled	N/A	N/A	Yes
ACP Enabled	N/A	Storage	160GB 2.5" SATA HDD	160GB 2.5" SATA HDD	N/A
Storage	160GB 2.5" SATA HDD			ARP-2217AP-D00-006	ARP-2217AP-D00-007

ARP-2219AP-A00		Black Color Bezel	ARP-2219AP-A00-000	ARP-2219AP-A00-001	ARP-2219AP-A00-002	ARP-2219AP-A00-003
LCD Display	15 inch	Bezel	Black Color Bezel	Black Color Bezel	Black Color Bezel	Black Color Bezel
Touch Screen	5-Wire Resistive	Power Supply	DC 24V Input	110/220 VAC Input	DC 24V Input	110/220 VAC Input
CPU	VIA 1.5 GHz C7	ACP Enabled	N/A	N/A	Yes	Yes
Memory	1 GB DDR	Storage	160GB 2.5" SATA HDD	160GB 2.5" SATA HDD	N/A	N/A
		Stainless Steel Bezel	ARP-2219AP-A00-004	ARP-2219AP-A00-005	ARP-2219AP-A00-006	ARP-2219AP-A00-007
		Bezel	Stainless Steel Bezel	Stainless Steel Bezel	Stainless Steel Bezel	Stainless Steel Bezel
		Power Supply	DC 24V Input	110/220 VAC Input	DC 24V Input	110/220 VAC Input
		ACP Enabled	N/A	N/A	Yes	Yes
		Storage	160GB 2.5" SATA HDD	160GB 2.5" SATA HDD	N/A	N/A

ARP-2219AP-D00		Black Color Bezel	ARP-2219AP-D00-000	ARP-2219AP-D00-001	ARP-2219AP-D00-002	ARP-2219AP-D00-003
LCD Display	19 inch	Bezel	Black Color Bezel	Black Color Bezel	Black Color Bezel	Black Color Bezel
Touch Screen	5-Wire Resistive	Power Supply	DC 24V Input	110/220 VAC Input	DC 24V Input	110/220 VAC Input
CPU	1.83 GHz Core 2 Duo Mobile	ACP Enabled	N/A	N/A	Yes	Yes
Memory	2GB DDR2-667	Storage	160GB 2.5" SATA HDD	160GB 2.5" SATA HDD	N/A	N/A
		Stainless Steel Bezel	ARP-2219AP-D00-004	ARP-2219AP-D00-005	ARP-2219AP-D00-006	ARP-2219AP-D00-007
		Bezel	Stainless Steel Bezel	Stainless Steel Bezel	Stainless Steel Bezel	Stainless Steel Bezel
		Power Supply	DC 24V Input	110/220 VAC Input	DC 24V Input	110/220 VAC Input
		ACP Enabled	N/A	N/A	Yes	Yes
		Storage	160GB 2.5" SATA HDD	160GB 2.5" SATA HDD	N/A	N/A

ARP-2242BP-D00		Black Color Bezel	ARP-2242BP-D00-000	ARP-2242BP-D00-001	ARP-2242BP-D00-002	ARP-2242BP-D00-003
LCD Display	42 inch	Bezel	Black Color Bezel	Black Color Bezel	Black Color Bezel	Black Color Bezel
Touch Screen	5-Wire Resistive	Power Supply	DC 24V Input	110/220 VAC Input	DC 24V Input	110/220 VAC Input
CPU	1.83 GHz Core 2 Duo Mobile	ACP Enabled	N/A	N/A	Yes	Yes
Memory	2GB DDR2-667	Storage	160GB 2.5" SATA HDD	160GB 2.5" SATA HDD	N/A	N/A

Accessories Options

Accessories	Description
XP Pro :	Windows XP Pro Operating System
XPe :	Windows XP Embedded Operating System
CA 242 :	3 feet 24 VDC Input power cord
PSA-150A-024 :	110 - 220VAC Input, 24 VDC Output 150W Power Adaptor
APM-004 :	PSA-150A-024 Power Adaptor Mounting Bracket

- 1**
ARP 1700 Series
- 2**
ARP 2200 Series
- 3**
ARP 3600 Series
- 4**
ARP 5500AX Series
- 5**
ADM 1500 Series
- 6**
ADM 1800 Series
- 7**
ADM 5800 Series
- 8**
ARD 1000
- 9**
Box PC
- 10**
AMA Series
- 11**
AMS Series
- 12**
AVW Series
- 13**
Thin Clients
- 14**
MPC Series
- 15**
RS Series

