

Features

- 15 inch Active Matrix TFT LCD Display
- Native Resolution at 1024 x 768
- 5-Wire Resistive Touch Screen
- One 2.5" SATA HDD
- Multiple Mounting Options
- NEMA 4X
- ACP version available



ARP-5515AX



- 1 ARP 1700 Series
- 2 ARP 2200 Series
- 3 ARP 3600 Series
- 4 ARP 5500AX Series
- 5 ADM 1500 Series
- 6 ADM 1800 Series
- 7 ADM 5800 Series
- 8 ARD 1000
- 9 Box PC
- 10 AMA Series
- 11 AMS Series
- 12 AVW Series
- 13 Thin Clients
- 14 MPC Series
- 15 RS Series

Specifications	ARP-5515 AX- A00	ARP-5515 AX- D00
LCD Display		
Display Size (Diagnol)	15 inch	15 inch
Resolution	1024 x 768	1024 x 768
Backlight Lifetime (Hours)	30,000	30,000
Visual Characteristics		
Colors	16 Million	16 Million
Aspect ratio	4:3	4:3
Viewing angle (V/H)	120° / 130°	120° / 130°
Response time(Typical)	12 ms	12 ms
Pixel Pitch(mm)	0.297 x 0.297	0.297 x 0.297
Contrast ratio	500:1	500:1
Brightness	250 nits	250 nits
Touch Screen		
Technology	5 Wire Resistive	5 Wire Resistive
Touch rating	35 Million Touches	35 Million Touches
MTBF	490,000 hours	490,000 hours
Interface	RS-232	RS-232
Driver	WinXP Pro, XPe	WinXP Pro
System		
CPU	VIA 1.5GHz C7 CPU	Core 2 Duo Mobile
Chipset	VIA CN 700	GME965 + ICH8M
Memory	Up to 1GB	Up to 4GB
Video Controller	CN 700 Integrated S3 Graphic Engine	GME965 GMA X3100
Video Interface	LVDS	LVDS
Storage Option	1 x 2.5" SATA HDD	1 x 2.5" SATA HDD
Compact Flash	Optional CF	N/A
Keyboard/Mouse	2 x PS/2 Connectors (Optional)	2 x PS/2 Connectors (Optional)
Audio	N/A	N/A
Watchdog Timer	Programmable 1 - 255 sec	Programmable 1 - 255 sec
Expansion Slot	1 x Mini PCI	1 x Mini PCI
I/O Communication		
USB Port	1 x USB 2.0	1 x USB 2.0
Serial Port	2 x RS-232 (Optional)	2 x RS-232 (Optional)
LAN	Dual Gigabit LAN	Dual Gigabit LAN
Parallel	1 x Port	N/A
OS Support		
OS Support	WinXP Pro, XPe	WinXP Pro
Power/Thermal Specs.		
Power Requirement (Max)	120VAC/0.775A, 24VDC/3.8A	120VAC/0.96A, 24VDC/4.8A
Power Consumption (Max)	93W	115W
Heat Dissipation	317 BTU/hr	391 BTU/hr
Physical Information		
Mounting	Pedestal, VESA, Wall and Ceiling mount, Benchtop	Pedestal, VESA, Wall and Ceiling mount, Benchtop
Net Weight	46.297 lbs / 21 kg	46.297 lbs / 21 kg
Physical Dimension (WxHxD)	14.51 x 12.42 x 4.09 inch 368.6 x 315.5 x 103.9 mm	14.51 x 12.42 x 4.09 inch 368.6 x 315.5 x 103.9 mm
Cutout Dimension (WxH)		
Environmental		
Operating Temp	0° - 50° C (32° - 122° F)	0° - 50° C (32° - 122° F)
Storage Temp	-20° - 60° C (-4° - 140° F)	-20° - 60° C (-4° - 140° F)
Relative Humidity	5% - 95% (non-condensing)	5% - 95% (non-condensing)
Rating	NEMA 4X	NEMA 4X
Certification		

Features

- ▶ 17 inch Active Matrix TFT LCD Display
- ▶ Native Resolution at 1280 x 1024
- ▶ 5-Wire Resistive Touch Screen
- ▶ One 2.5" SATA HDD
- ▶ Multiple Mounting Options
- ▶ NEMA 4X
- ▶ ACP version available



2 x Gigabit



Fanless



1x USB 2.0



ARP-5517AX



Specifications	ARP-5517 AX- A00	ARP-5517 AX- D00
LCD Display		
Display Size (Diagnol)	17 inch	17 inch
Resolution	1280 x 1024	1280 x 1024
Backlight Lifetime (Hours)	50,000	50,000
Visual Characteristics		
Colors	16 Million	16 Million
Aspect ratio	4:3	4:3
Viewing angle (V/H)	140° / 140°	140° / 140°
Response time(Typical)	12 ms	12 ms
Pixel Pitch(mm)	0.264 x 0.264	0.264 x 0.264
Contrast ratio	800:1	800:1
Brightness	300 nits	300 nits
Touch Screen		
Technology	5 Wire Resistive	5 Wire Resistive
Touch rating	35 Million Touches	35 Million Touches
MTBF	490,000 hours	490,000 hours
Interface	RS-232	RS-232
Driver	WinXP Pro, XPe	WinXP Pro
System		
CPU	VIA 1.5GHz C7 CPU	Core 2 Duo Mobile
Chipset	VIA CN 700	GME965 + ICH8M
Memory	Up to 1GB	Up to 4GB
Video Controller	CN 700 Integrated S3 Graphic Engine	GME965 GMA X3100
Video Interface	LVDS	LVDS
Storage Option	1 x 2.5"SATA HDD	1 x 2.5"SATA HDD
Compact Flash	Optional CF	Optional CF
Keyboard/Mouse	2 x PS/2 Connectors (Optional)	2 x PS/2 Connectors (Optional)
Audio	N/A	N/A
Watchdog Timer	Programmable 1 - 255 sec	Programmable 1 - 255 sec
Expansion Slot	1 x Mini PCI	1 x Mini PCI
I/O Communication		
USB Port	1 x USB 2.0	1 x USB 2.0
Serial Port	2 x RS-232 (Optional)	2 x RS-232 (Optional)
LAN	Dual Gigabit LAN	Dual Gigabit LAN
Parallel	1 x Port	N/A
OS Support		
OS Support	WinXP Pro, XPe	WinXP Pro
Power/Thermal Specs.		
Power Requirement (Max)	120VAC/0.775A, 24VDC/3.8A	120VAC/0.96A, 24VDC/4.8A
Power Consumption (Max)	108W	130W
Heat Dissipation	368 BTU/hr	442 BTU/hr
Physical Information		
Mounting	Pedestal, VESA, Wall and Ceiling mount, Benchtop	Pedestal, VESA, Wall and Ceiling mount, Benchtop
Net Weight	48.501 lbs / 22 kg	48.501 lbs / 22 kg
Physical Dimension (WxHxD)	15.88 x 14.07 x 4.36 inch 403.4 x 357.4 x 110.7 mm	15.88 x 14.07 x 4.36 inch 403.4 x 357.4 x 110.7 mm
Cutout Dimension (WxH)		
Environmental		
Operating Temp	0° - 50° C (32° - 122° F)	0° - 50° C (32° - 122° F)
Storage Temp	-20° - 60° C (-4° - 140° F)	-20° - 60° C (-4° - 140° F)
Relative Humidity	5% - 95% (non-condensing)	5% - 95% (non-condensing)
Rating	NEMA 4X	NEMA 4X
Certification		

Features

- ▶ 19 inch Active Matrix TFT LCD Display
- ▶ Native Resolution at 1280 x 1024
- ▶ 5-Wire Resistive Touch Screen
- ▶ One 2.5" SATA HDD
- ▶ Multiple Mounting Options
- ▶ NEMA 4X
- ▶ ACP version available



ARP-5519AX

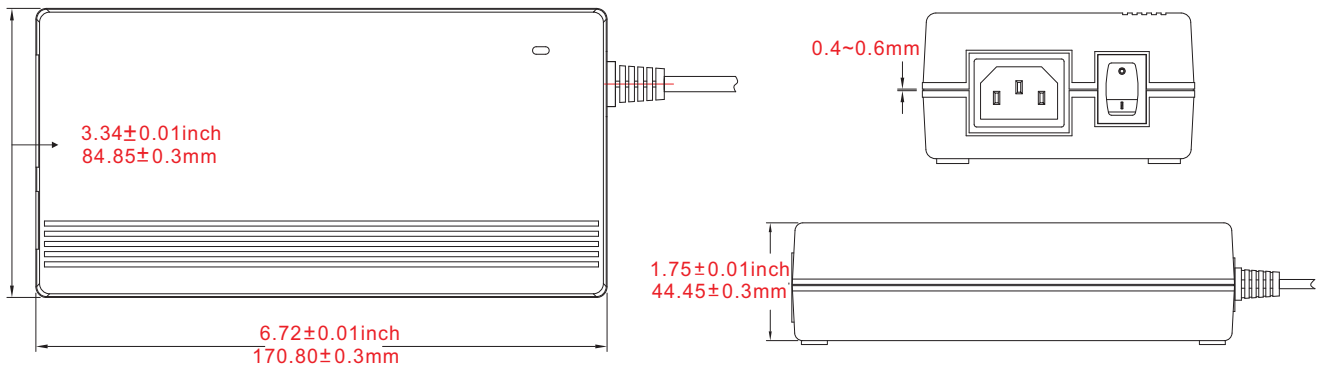


- 1 ARP 1700 Series
- 2 ARP 2200 Series
- 3 ARP 3600 Series
- 4 ARP 5500AX Series
- 5 ADM 1500 Series
- 6 ADM 1800 Series
- 7 ADM 5800 Series
- 8 ARD 1000
- 9 Box PC
- 10 AMA Series
- 11 AMS Series
- 12 AVW Series
- 13 Thin Clients
- 14 MPC Series
- 15 RS Series

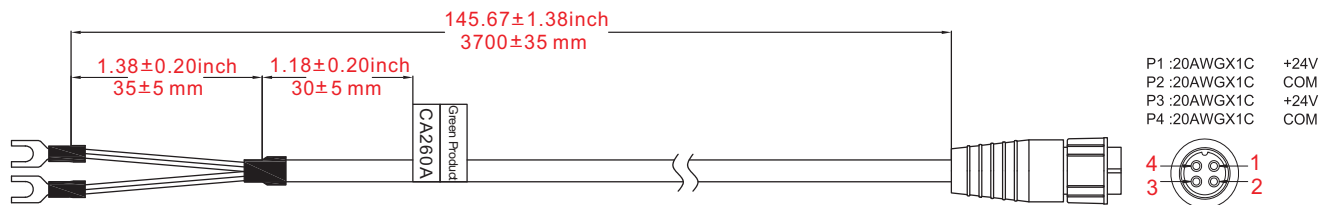
Specifications	ARP-5519 AX- A00	ARP-5519 AX- D00
LCD Display		
Display Size (Diagnol)	19 inch	19 inch
Resolution	1280 x 1024	1280 x 1024
Backlight Lifetime (Hours)	50,000	50,000
Visual Characteristics		
Colors	16 Million	16 Million
Aspect ratio	4:3	4:3
Viewing angle (V/H)	178° / 178°	178° / 178°
Response time(Typical)	20 ms	20 ms
Pixel Pitch(mm)	0.294 x 0.294	0.294 x 0.294
Contrast ratio	700:1	700:1
Brightness	300 nits	300 nits
Touch Screen		
Technology	5 Wire Resistive	5 Wire Resistive
Touch rating	35 Million Touches	35 Million Touches
MTBF	490,000 hours	490,000 hours
Interface	RS-232	RS-232
Driver	WinXP Pro, XPe	WinXP Pro
System		
CPU	VIA 1.5GHz C7 CPU	Core 2 Duo Mobile
Chipset	VIA CN 700	GME965 + ICH8M
Memory	Up to 1GB	Up to 4GB
Video Controller	CN 700 Integrated S3 Graphic Engine	GME965 GMA X3100
Video Interface	LVDS	LVDS
Storage Option	1 x 2.5"SATA HDD	1 x 2.5"SATA HDD
Compact Flash	Optional CF	Optional CF
Keyboard/Mouse	2 x PS/2 Connectors (Optional)	2 x PS/2 Connectors (Optional)
Audio	N/A	N/A
Watchdog Timer	Programmable 1 - 255 sec	Programmable 1 - 255 sec
Expansion Slot	1 x Mini PCI	1 x Mini PCI
I/O Communication		
USB Port	1 x USB 2.0	1 x USB 2.0
Serial Port	2 x RS-232 (Optional)	2 x RS-232 (Optional)
LAN	Dual Gigabit LAN	Dual Gigabit LAN
Parallel	1 x Port	N/A
OS Support		
OS Support	WinXP Pro, XPe	WinXP Pro
Power/Thermal Specs.		
Power Requirement (Max)	120VAC/0.775A, 24VDC/3.8A	120VAC/0.96A, 24VDC/4.8A
Power Consumption (Max)	113W	135W
Heat Dissipation	385 BTU/hr	459 BTU/hr
Physical Information		
Mounting	Pedestal, VESA, Wall and Ceiling mount, Benchtop	Pedestal, VESA, Wall and Ceiling mount, Benchtop
Net Weight	50.706 lbs/ 23 kg	50.706 lbs/ 23 kg
Physical Dimension (WxHxD)	17.8 x 15.19 x 4.4 inch 452.1 x 385.8 x 111.8 mm	17.8 x 15.19 x 4.4 inch 452.1 x 385.8 x 111.8 mm
Cutout Dimension (WxH)		
Environmental		
Operating Temp	0° - 50° C (32° - 122° F)	0° - 50° C (32° - 122° F)
Storage Temp	-20° - 60° C (-4° - 140° F)	-20° - 60° C (-4° - 140° F)
Relative Humidity	5% - 95% (non-condensing)	5% - 95% (non-condensing)
Rating	NEMA 4X	NEMA 4X
Certification		

ARP-5500AX Series Power Supply

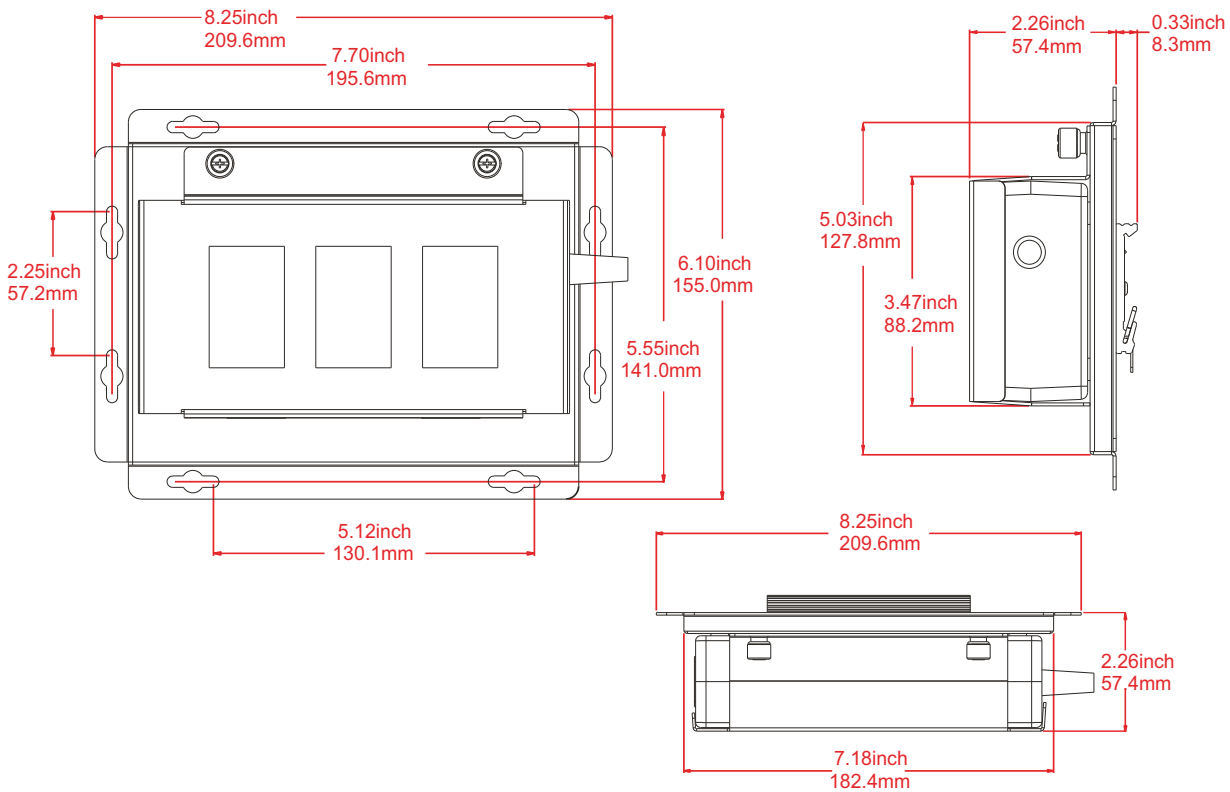
Model: PSA-150A-024 (110~220VAC Input, 24 VDC Output power supply)



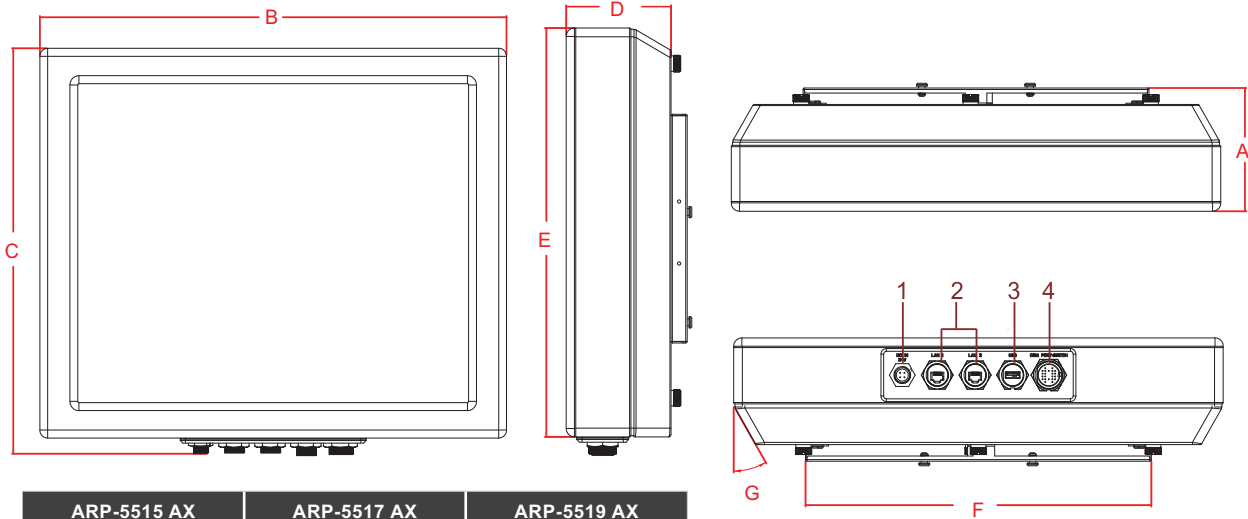
Model : CA260A (24 VDC Input power cord)



APM - 004 Mounting Bracket Line Drawing



ARP-5500AX Series Line Drawing



	ARP-5515 AX	ARP-5517 AX	ARP-5519 AX
A	4.09 inch / 103.9 mm	4.36 inch / 110.7 mm	4.4 inch / 111.8 mm
B	14.51 inch / 368.6 mm	15.88 inch / 403.4 mm	17.8 inch / 452.1 mm
C	12.42 inch / 315.5 mm	14.07 inch / 357.4 mm	15.19 inch / 385.8 mm
D	3.5 inch / 88.9 mm	3.77 inch / 95.8 mm	3.81 inch / 96.8 mm
E	11.8 inch / 299.7 mm	13.46 inch / 341.9 mm	14.60 inch / 370.8 mm
F	12.575 inch / 319.4 mm	12.575 inch / 319.4 mm	12.575 inch / 319.4 mm
G	30°	30°	30°

- 1 = Power
- 2 = Ethernet Ports
- 3 = USB
- 4 = 22 Pin Universal Port

Benchtop Stand Assembly

XDS-001

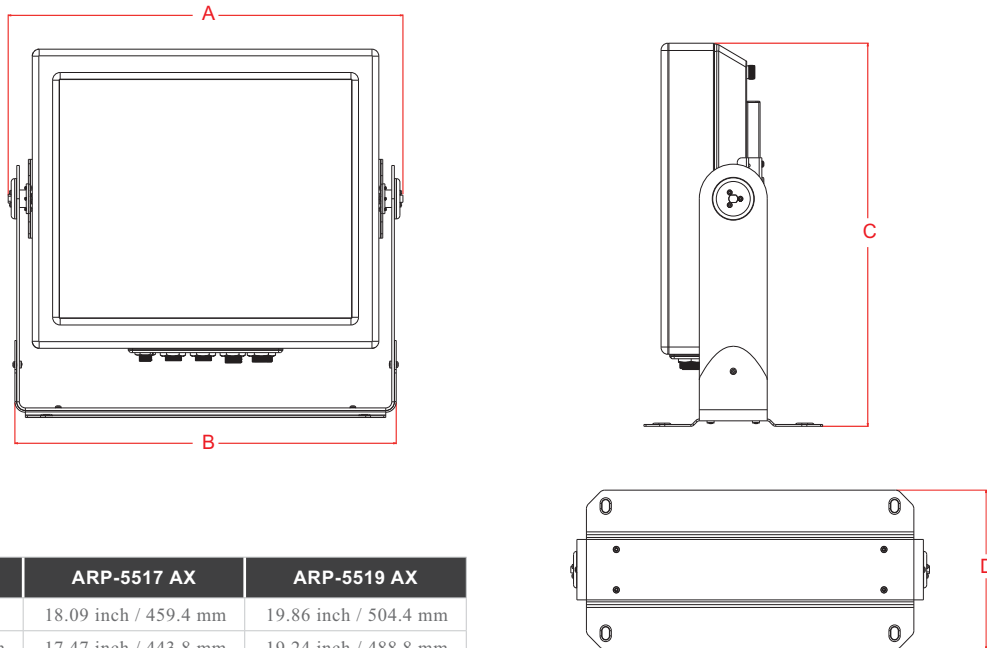
ARP-5515AX/ADM-5815AX Benchtop Stand Assembly

XDS-002

ARP-5517AX/ADM-5817AX Benchtop Stand Assembly

XDS-003

ARP-5519AX/ADM-5819AX Benchtop Stand Assembly

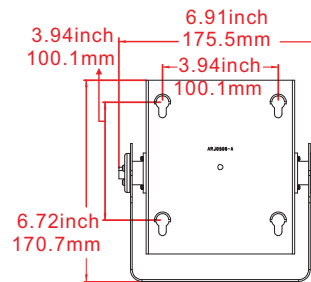
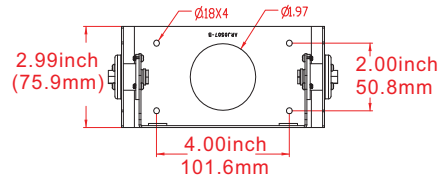
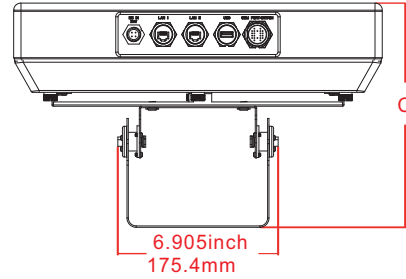
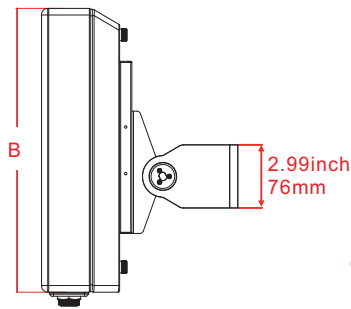
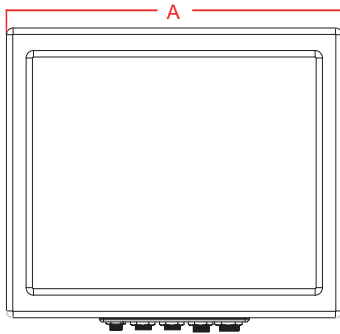


	ARP-5515 AX	ARP-5517 AX	ARP-5519 AX
A	16.79 inch / 426.4 mm	18.09 inch / 459.4 mm	19.86 inch / 504.4 mm
B	16.17 inch / 410.8 mm	17.47 inch / 443.8 mm	19.24 inch / 488.8 mm
C	14.91 inch / 378.6 mm	16.57 inch / 420.9 mm	17.71 inch / 449.8 mm
D	7.87 inch / 200.0 mm	7.87 inch / 200.0 mm	7.87 inch / 200.0 mm

- 1 ARP 1700 Series
- 2 ARP 2200 Series
- 3 ARP 3600 Series
- 4 ARP 5500AX Series
- 5 ADM 1500 Series
- 6 ADM 1800 Series
- 7 ADM 5800 Series
- 8 ARD 1000
- 9 Box PC
- 10 AMA Series
- 11 AMS Series
- 12 AVW Series
- 13 Thin Clients
- 14 MPC Series
- 15 RS Series

Pedestal Mount Bracket Assembly

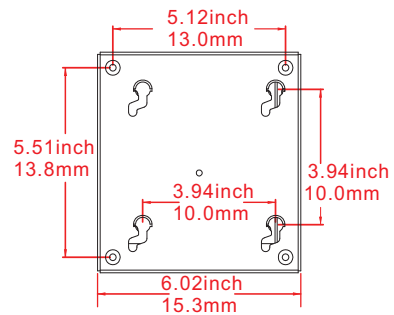
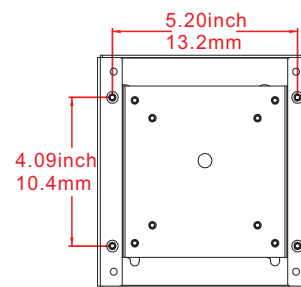
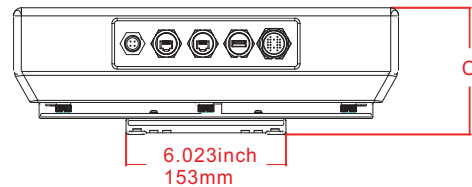
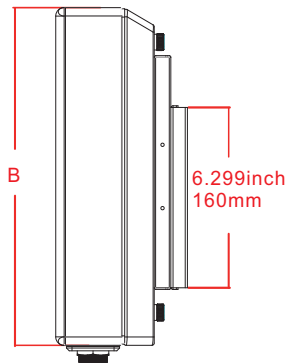
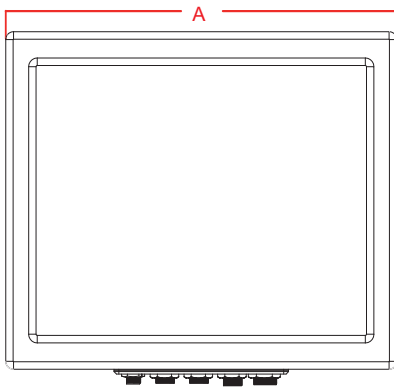
XTM-001

 ARP-5500AX/ADM-5800AX
 Pedestal Mount Bracket Assembly


	ARP-5515 AX	ARP-5517 AX	ARP-5519 AX
A	14.51inch / 368.5mm	15.88inch / 403.3mm	17.80inch / 452.1mm
B	11.80inch / 299.6mm	13.46inch / 341.8mm	14.60inch / 370.8mm
C	9.21inch / 234.0mm	9.48inch / 240.8mm	9.52inch / 241.8mm

VESA Mount Bracket Assembly

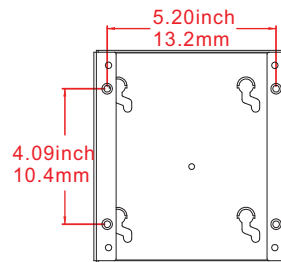
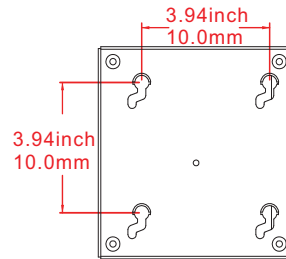
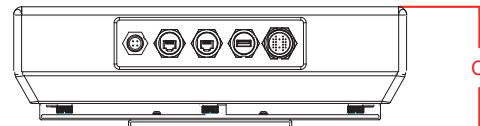
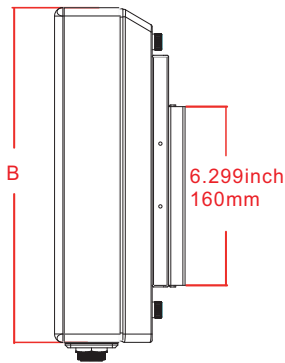
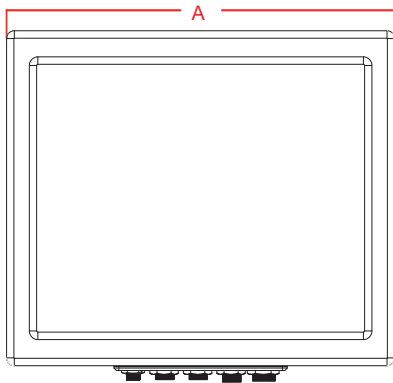
XVM-001

 ARP-5500AX/ADM-5800AX
 VESA Mount Bracket Assembly


	ARP-5515 AX	ARP-5517 AX	ARP-5519 AX
A	14.51inch / 368.5mm	15.88inch / 403.3mm	17.80inch / 452.1mm
B	11.80inch / 299.6mm	13.46inch / 341.8mm	14.60inch / 370.8mm
C	4.69inch / 119.0mm	4.95inch / 125.8mm	4.99inch / 126.8mm

Wall Mount Bracket Assembly

XWM-001

 ARP-5500AX/ADM-5800AX
 Wall Mount Bracket Assembly


	ARP-5515 AX	ARP-5517 AX	ARP-5519 AX
A	14.51inch / 368.5mm	15.88inch / 403.3mm	17.80inch / 452.1mm
B	11.80inch / 299.6mm	13.46inch / 341.8mm	14.60inch / 370.8mm
C	4.69inch / 119.0mm	4.95inch / 125.8mm	4.99inch / 126.8mm

Ceiling Mount Assembly

XCM-001

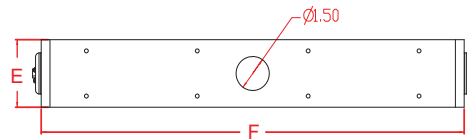
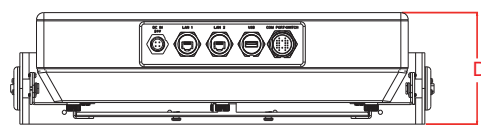
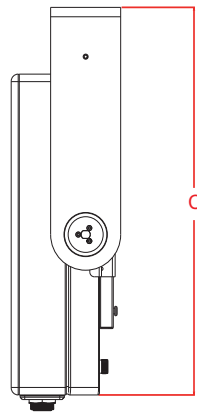
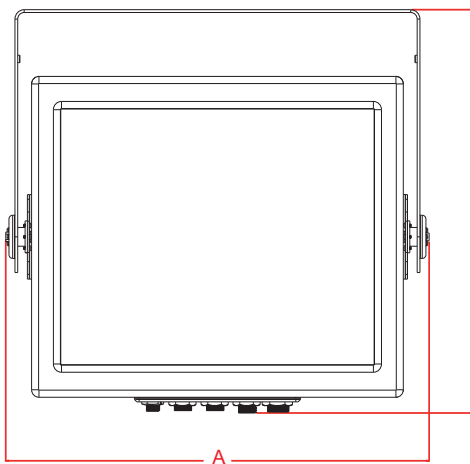
ARP-5515AX/ADM-5815AX Ceiling Mount Assembly

XCM-002

ARP-5517AX/ADM-5817AX Ceiling Mount Assembly

XCM-003

ARP-5519AX/ADM-5819AX Ceiling Mount Assembly



	ARP-5515 AX	ARP-5517 AX	ARP-5519 AX
A	16.79 inch / 426.4 mm	18.09 inch / 459.4 mm	19.86 inch / 504.4 mm
B	15.30 inch / 388.6 mm	16.92 inch / 429.7 mm	18.05 inch / 469.9 mm
C	14.64 inch / 371.8 mm	16.26 inch / 412.9 mm	17.39 inch / 441.8 mm
D	4.41 inch / 112.0 mm	4.68 inch / 118.8 mm	4.72 inch / 119.8 mm
E	2.99 inch / 7.6 mm	2.99 inch / 7.6 mm	2.99 inch / 7.6 mm
F	16.00 inch / 40.6 mm	17.30 inch / 43.9 mm	19.07 inch / 48.4 mm

- 1** ARP 1700 Series
- 2** ARP 2200 Series
- 3** ARP 3600 Series
- 4** ARP 5500AX Series
- 5** ADM 1500 Series
- 6** ADM 1800 Series
- 7** ADM 5800 Series
- 8** ARD 1000
- 9** Box PC
- 10** AMA Series
- 11** AMS Series
- 12** AVW Series
- 13** Thin Clients
- 14** MPC Series
- 15** RS Series

Ordering Information	Standard	ACP Enabled	
----------------------	----------	-------------	--

ARP-5515AX		ARP-5515AX-A00-004	ARP-5515AX-A00-005	ARP-5515AX-A00-006	ARP-5515AX-A00-007
LCD Display	15 inch	CPU	VIA 1.5GHz C7	VIA 1.5GHz C7	VIA 1.5GHz C7
Touch Screen	5-Wire Resistive	Memory	1 GB DDR	1 GB DDR	1 GB DDR
All Stainless Steel	All Stainless Steel	Storage	160GB 2.5" SATA HDD	160GB 2.5" SATA HDD	N/A
		Power Supply	DC 24V Input	110/220 VAC Input	DC 24V Input
		ACP Enabled	N/A	N/A	Yes
		ARP-5515AX-D00-004	ARP-5515AX-D00-005	ARP-5515AX-D00-006	ARP-5515AX-D00-007
		CPU	Core 2 Duo Mobile 1.83G	Core 2 Duo Mobile 1.83G	Core 2 Duo Mobile 1.83G
		Memory	2GB DDR2-667	2GB DDR2-667	2GB DDR2-667
		Storage	160GB 2.5" SATA HDD	160GB 2.5" SATA HDD	N/A
		Power Supply	DC 24V Input	110/220 VAC Input	DC 24V Input
		ACP Enabled	N/A	N/A	Yes

ARP-5517AX		ARP-5517AX-A00-004	ARP-5517AX-A00-005	ARP-5517AX-A00-006	ARP-5517AX-A00-007
LCD Display	17 inch	CPU	VIA 1.5GHz C7	VIA 1.5GHz C7	VIA 1.5GHz C7
Touch Screen	5-Wire Resistive	Memory	1 GB DDR	1 GB DDR	1 GB DDR
All Stainless Steel	All Stainless Steel	Storage	160GB 2.5" SATA HDD	160GB 2.5" SATA HDD	N/A
		Power Supply	DC 24V Input	110/220 VAC Input	DC 24V Input
		ACP Enabled	N/A	N/A	Yes
		ARP-5517AX-D00-004	ARP-5517AX-D00-005	ARP-5517AX-D00-006	ARP-5517AX-D00-007
		CPU	Core 2 Duo Mobile 1.83G	Core 2 Duo Mobile 1.83G	Core 2 Duo Mobile 1.83G
		Memory	2GB DDR2-667	2GB DDR2-667	2GB DDR2-667
		Storage	160GB 2.5" SATA HDD	160GB 2.5" SATA HDD	N/A
		Power Supply	DC 24V Input	110/220 VAC Input	DC 24V Input
		ACP Enabled	N/A	N/A	Yes

ARP-5519AX		ARP-5519AX-A00-004	ARP-5519AX-A00-005	ARP-5519AX-A00-006	ARP-5519AX-A00-007
LCD Display	19 inch	CPU	VIA 1.5GHz C7	VIA 1.5GHz C7	VIA 1.5GHz C7
Touch Screen	5-Wire Resistive	Memory	1 GB DDR	1 GB DDR	1 GB DDR
All Stainless Steel	All Stainless Steel	Storage	160GB 2.5" SATA HDD	160GB 2.5" SATA HDD	N/A
		Power Supply	DC 24V Input	110/220 VAC Input	DC 24V Input
		ACP Enabled	N/A	N/A	Yes
		ARP-5519AX-D00-004	ARP-5519AX-D00-005	ARP-5519AX-D00-006	ARP-5519AX-D00-007
		CPU	Core 2 Duo Mobile 1.83G	Core 2 Duo Mobile 1.83G	Core 2 Duo Mobile 1.83G
		Memory	2GB DDR2-667	2GB DDR2-667	2GB DDR2-667
		Storage	160GB 2.5" SATA HDD	160GB 2.5" SATA HDD	N/A
		Power Supply	DC 24V Input	110/220 VAC Input	DC 24V Input
		ACP Enabled	N/A	N/A	Yes

Bracket Assembly Options

Bracket Assembly	ARP-5515 AX	ARP-5517 AX	ARP-5519 AX
Pedestal Mount	XTM-001	XTM- 001	XTM- 001
VESA Mount	XVM-001	XVM- 001	XVM- 001
Wall Mount	XWM-001	XWM-001	XWM-001
Bench top Stand	XDS - 001	XDS - 002	XDS - 003
Ceiling Mount	XCM-001	XCM- 002	XCM- 003

Accessories Options

Accessories	Description
XP Pro :	Windows XP Pro Operating System
XPe :	Windows XP Embedded Operating System
CA 260A :	24 VDC Input power cord
CA 265 :	Waterproof USB (1m)
CA 266 :	Waterproof 22 pin Universal Cable (1.1m)
CA 298 :	Waterproof RJ45 Cable (3m)
PSA - 150A - 024 :	110 - 220VAC Input, 24VDC Output 150W Power Adaptor
APM - 004 :	PSA-150A-024 Power Adaptor Mounting Bracket