

Features

- 6.4 inch Active Matrix TFT LCD
- 5 Wire Resistive Touch Screen
- NEMA 4/4X Front Bezel
- Compact Flash Type II Socket
- ACP Enabled
- Dual Drives For Data Logging
- Indusoft Ready



ARP-3606



- 1 ARP 1700 Series
- 2 ARP 2200 Series
- 3 ARP 3600 Series
- 4 ARP 5500AX Series
- 5 ADM 1500 Series
- 6 ADM 1800 Series
- 7 ADM 5800 Series
- 8 ARD 1000
- 9 Box PC
- 10 AMA Series
- 11 AMS Series
- 12 AVW Series
- 13 Thin Clients
- 14 MPC Series
- 15 RS Series

Specifications	ARP-3606 AP- A00	ARP-3606 AP- B00
LCD Panel		
Display Size (Diagnol)	6.4 inch	6.4 inch
Resolution	640 x 480	640 x 480
Backlight Lifetime	50,000 hours	50,000 hours
Visual Characteristics		
Colors	262K	262K
Aspect ratio	4 : 3	4 : 3
Viewing angle (V/H)	120° /140°	120° /140°
Response time(Typical)	25 ms	25 ms
Pixel Pitch(mm)	0.207 x 0.207	0.207 x 0.207
Contrast ratio	600 : 1	600 : 1
Brightness	400 nits	400 nits
Touch Screen		
Technology	5 Wire Resistive	5 Wire Resistive
Touch rating	35 Million Touches	35 Million Touches
MTBF	490,000 hours	490,000 hours
Interface	RS-232	RS-232
Driver	WinCE, Win XP Pro	WinCE, Win XP Pro
Front Bezel		
NEMA 4	Black Powder Coated	Black Powder Coated
NEMA 4x	Stainless Steel	Stainless Steel
System		
CPU	AMD Lx800 500MHz	Intel Atom N270 1.6GHz
Chipset	CS5536	945GSE & ICH7M
Memory	Up to 1GB DDR-333	Up to 2GB DDR2-533
Video Controller	CS5536 Integrated VGA	945GSE Integrated VGA
Video Interface	LVDS, VGA	LVDS, VGA
Storage Option	1 x 2.5" IDE HDD	1 x 2.5" SATA HDD
Compact Flash	Optional CF	Optional CF
Keyboard/Mouse	2 x PS/2 Connectors (Y-Cable)	1 x KB/MS PS/2 Connector
Audio	N/A	N/A
Watchdog Timer	Programmable 1 - 255 sec	Programmable 1 - 255 sec
Expansion Slot	1 x PC/104	Mini PCI-Express
I/O Communication		
USB Port	3 x USB 2.0	4 x USB 2.0
Serial Port	1 x RS-232, 1 x RS-232/422/485	2 x RS-232/422/485
IEEE 1394	N/A	N/A
LAN	2 x 10/ 100 mbps	Dual Gigabit
Parallel	N/A	N/A
OS Support		
OS Support	WinCE, Win XP Pro	WinCE, Win XP Pro
Power/Thermal Specs.		
Power Requirement (Max)	24VDC/1.2A, 110VAC/0.26A,220VAC/0.13A	24VDC/1.2A, 110VAC/0.26A,220VAC/0.13A
Power Consumption (Max)	27W	27W
Heat Dissipation	92 BTU/hr	92 BTU/hr
Physical Information		
Mounting	Panel Mount	Panel Mount
Net Weight	5 Lbs / 2 Kg	4.4 Lbs / 2 Kg
Physical Dimension (WxHxD)	8.5 x 6.2 x 3.3 inch 215.9 x 157.5 x 84.6 mm	8.5 x 6.2 x 3.3 inch 215.9 x 157.5 x 84.6 mm
Cutout Dimension (WxH)	7.61 x 5.29 inch 193.2 x 134.3 mm	8.65 x 6.27 inch 219.71 x 159.25 mm
Environmental		
Operating Temp	0° - 50°C (32° - 122°F)	0° - 50°C (32° - 122°F)
Storage Temp	-20° - 60°C (-4° - 140°F)	-20° - 60°C (-4° - 140°F)
Relative Humidity	0% - 95% (non-condensing)	0% - 95% (non-condensing)
Rating	NEMA 4/4X Bezel	NEMA 4/4X Bezel
Certification	UL508 NRAQ Programmable Controller	

Features

- 8.4 inch Active Matrix TFT LCD
- 5 Wire Resistive Touch Screen
- NEMA 4/4X Front Bezel
- Compact Flash Type II Socket
- ACP Enabled
- Dual Drives For Data Logging
- Indusoft Ready



ARP-3608



Specifications	ARP-3608 AP- A00	ARP-3608 AP- B00
LCD Panel		
Display Size (Diagnol)	8.4 inch	8.4 inch
Resolution	800 x 600	800 x 600
Backlight Lifetime	50,000 hours	50,000 hours
Visual Characteristics		
Colors	262K	262K
Aspect ratio	4 : 3	4 : 3
Viewing angle (V/H)	100° /120°	100° /120°
Response time(Typical)	35 ms	35 ms
Pixel Pitch(mm)	0.213 x 0.213	0.213 x 0.213
Contrast ratio	600 : 1	600 : 1
Brightness	400 nits	400 nits
Touch Screen		
Technology	5 Wire Resistive	5 Wire Resistive
Touch rating	35 Million Touches	35 Million Touches
MTBF	490,000 hours	490,000 hours
Interface	RS-232	RS-232
Driver	WinCE, Win XP Pro	WinCE, Win XP Pro
Front Bezel		
NEMA 4	Black Powder Coated	Black Powder Coated
NEMA 4x	Stainless Steel	Stainless Steel
System		
CPU	AMD Lx800 500MHz	Intel Atom N270 1.6GHz
Chipset	CS5536	945GSE & ICH7M
Memory	Up to 1GB DDR-333	Up to 2GB DDR2-533
Video Controller	CS5536 Integrated VGA	945GSE Integrated VGA
Video Interface	LVDS, VGA	LVDS, VGA
Storage Option	1 x 2.5" IDE HDD (Optional)	1 x 2.5" SATA HDD
Compact Flash	Optional CF	Optional CF
Keyboard/Mouse	2 x PS/2 Connectors (Y-Cable)	1 x KB/MS PS/2 Connector
Audio	N/A	N/A
Watchdog Timer	Programmable 1 - 255 sec	Programmable 1 - 255 sec
Expansion Slot	1 x PC/104	Mini PCI-Express
I/O Communication		
USB Port	3 x USB 2.0	4 x USB 2.0
Serial Port	2 x RS-232, 1 x RS-232/422/485	5 x RS-232/422/485
IEEE 1394	N/A	N/A
LAN	2 x 10/ 100 mbps	Dual Gigabit
Parallel	N/A	N/A
OS Support		
OS Support	WinCE, Win XP Pro	WinCE, Win XP Pro
Power/Thermal Specs.		
Power Requirement (Max)	24VDC/1.2A, 110VAC/0.26A,220VAC/0.13A	24VDC/1.2A, 110VAC/0.26A,220VAC/0.13A
Power Consumption (Max)	28W	28W
Heat Dissipation	96 BTU/hr	96 BTU/hr
Physical Information		
Mounting	Panel Mount	Panel Mount
Net Weight	7 Lbs / 3 Kg	5.3 Lbs / 2.4 Kg
Physical Dimension (WxHxD)	9.70 x 7.50 x 3.10 inch 246.4 x 190.5 x 78.7 mm	9.70 x 7.50 x 3.10 inch 246.4 x 190.5 x 78.7 mm
Cutout Dimension (WxH)	8.75 x 6.60 inch 222.3 x 167.6 mm	8.75 x 6.60 inch 222.3 x 167.6 mm
Environmental		
Operating Temp	0° - 50°C (32° - 122°F)	0° - 50°C (32° - 122°F)
Storage Temp	-20° - 60°C (-4° - 140°F)	-20° - 60°C (-4° - 140°F)
Relative Humidity	0% - 95% (non-condensing)	0% - 95% (non-condensing)
Rating	NEMA 4/4X Bezel	NEMA 4/4X Bezel
Certification	UL508 NRAQ Programmable Controller	

Features

- ▶ 10.4 inch Active Matrix TFT LCD
- ▶ 5 Wire Resistive Touch Screen
- ▶ NEMA 4/4X Front Bezel
- ▶ Compact Flash Type II Socket
- ▶ ACP Enabled
- ▶ Dual Drives For Data Logging
- ▶ Indusoft Ready



ARP-3610



- 1 ARP 1700 Series
- 2 ARP 2200 Series
- 3 ARP 3600 Series
- 4 ARP 5500AX Series
- 5 ADM 1500 Series
- 6 ADM 1800 Series
- 7 ADM 5800 Series
- 8 ARD 1000
- 9 Box PC
- 10 AMA Series
- 11 AMS Series
- 12 AVW Series
- 13 Thin Clients
- 14 MPC Series
- 15 RS Series

Specifications	ARP-3610 AP- A00	ARP-3610 AP- B00
LCD Panel		
Display Size (Diagnol)	10.4 inch	10.4 inch
Resolution	800 x 600	800 x 600
Backlight Lifetime	50,000 hours	50,000 hours
Visual Characteristics		
Colors	262K	262K
Aspect ratio	4 : 3	4 : 3
Viewing angle (V/H)	120° /140°	120° /140°
Response time(Typical)	25 ms	50 ms
Pixel Pitch(mm)	0.264 x 0.264	0.264 x 0.264
Contrast ratio	500 : 1	500 : 1
Brightness	400 nits	400 nits
Touch Screen		
Technology	5 Wire Resistive	5 Wire Resistive
Touch rating	35 Million Touches	35 Million Touches
MTBF	490,000 hours	490,000 hours
Interface	RS-232	RS-232
Driver	WinCE, Win XP Pro	WinCE, Win XP Pro
Front Bezel		
NEMA 4	Black Powder Coated	Black Powder Coated
NEMA 4x	Stainless Steel	Stainless Steel
System		
CPU	AMD Lx800 500MHz	Intel Atom N270 1.6GHz
Chipset	CS5536	945GSE & ICH7M
Memory	Up to 1GB DDR-333	Up to 2GB DDR2-533
Video Controller	CS5536 Integrated VGA	945GSE Integrated VGA
Video Interface	LVDS, VGA	LVDS, VGA
Storage Option	1 x 2.5" IDE HDD (Optional)	1 x 2.5" SATA HDD
Compact Flash	Optional CF	Optional CF
Keyboard/Mouse	2 x PS/2 Connectors (Y-Cable)	1 x KB/MS PS/2 Connector
Audio	N/A	N/A
Watchdog Timer	Programmable 1 - 255 sec	Programmable 1 - 255 sec
Expansion Slot	1 x PC/104	Mini PCI-Express
I/O Communication		
USB Port	3 x USB 2.0	4 x USB 2.0
Serial Port	2 x RS-232, 1 x RS-232/422/485	5 x RS-232/422/485
IEEE 1394	N/A	N/A
LAN	2 x 10/ 100 mbps	Dual Gigabit
Parallel	N/A	N/A
OS Support		
OS Support	WinCE, Win XP Pro	WinCE, Win XP Pro
Power/Thermal Specs.		
Power Requirement (Max)	24VDC/1.2A, 110VAC/0.26A,220VAC/0.13A	24VDC/1.2A, 110VAC/0.26A,220VAC/0.13A
Power Consumption (Max)	28W	28W
Heat Dissipation	96 BTU/hr	96 BTU/hr
Physical Information		
Mounting	Panel Mount	Panel Mount
Net Weight	7 Lbs / 3 Kg	6.9 Lbs / 3 Kg
Physical Dimension (WxHxD)	11.50 x 8.80 x 3.20 inch 292.1 x 223.5 x 81.28 mm	11.50 x 8.80 x 3.20 inch 292.1 x 223.5 x 81.28 mm
Cutout Dimension (WxH)	10.55 x 7.90 inch 267.97 x 200.66 mm	10.55 x 7.90 inch 267.97 x 200.66 mm
Environmental		
Operating Temp	0° - 50°C (32° - 122°F)	0° - 50°C (32° - 122°F)
Storage Temp	-20° - 60°C (-4° - 140°F)	-20° - 60°C (-4° - 140°F)
Relative Humidity	0% - 95% (non-condensing)	0% - 95% (non-condensing)
Rating	NEMA 4/4X Bezel	NEMA 4/4X Bezel
Certification	UL508 NRAQ Programmable Controller	

Features

- 12.1 inch Active Matrix TFT LCD
- 5 Wire Resistive Touch Screen
- NEMA 4/4X Front Bezel
- Compact Flash Type II Socket
- ACP Enabled
- Dual Drives For Data Logging
- Indusoft Ready



ARP-3612



Specifications	ARP-3612 AP- A00	ARP-3612 AP- B00
LCD Panel		
Display Size (Diagnol)	12.1 inch	12.1 inch
Resolution	800 x 600	800 x 600
Backlight Lifetime	50,000 hours	50,000 hours
Visual Characteristics		
Colors	262K	262K
Aspect ratio	4 : 3	4 : 3
Viewing angle (V/H)	110° /140°	110° /140°
Response time(Typical)	35 ms	35 ms
Pixel Pitch(mm)	0.3075 x 0.3075	0.3075 x 0.3075
Contrast ratio	500 : 1	500 : 1
Brightness	400 nits	400 nits
Touch Screen		
Technology	5 Wire Resistive	5 Wire Resistive
Touch rating	35 Million Touches	35 Million Touches
MTBF	490,000 hours	490,000 hours
Interface	RS-232	RS-232
Driver	WinCE, Win XP Pro	WinCE, Win XP Pro
Front Bezel		
NEMA 4	Black Powder Coated	Black Powder Coated
NEMA 4x	Stainless Steel	Stainless Steel
System		
CPU	AMD Lx800 500MHz	Intel Atom N270 1.6GHz
Chipset	CS5536	945GSE & ICH7M
Memory	Up to 1GB DDR-333	Up to 2GB DDR2-533
Video Controller	CS5536 Integrated VGA	945GSE Integrated VGA
Video Interface	LVDS, VGA	LVDS, VGA
Storage Option	1 x 2.5" IDE HDD (Optional)	1 x 2.5" SATA HDD
Compact Flash	Optional CF	Optional CF
Keyboard/Mouse	2 x PS/2 Connectors (Y-Cable)	1 x KB/MS PS/2 Connector
Audio	N/A	N/A
Watchdog Timer	Programmable 1 - 255 sec	Programmable 1 - 255 sec
Expansion Slot	1 x PC/104	Mini PCI-Express
I/O Communication		
USB Port	3 x USB 2.0	4 x USB 2.0
Serial Port	2 x RS-232, 1 x RS-232/422/485	5 x RS-232/422/485
IEEE 1394	N/A	N/A
LAN	2 x 10/ 100 mbps	Dual Gigabit
Parallel	N/A	N/A
OS Support		
OS Support	WinCE, Win XP Pro	WinCE, Win XP Pro
Power/Thermal Specs.		
Power Requirement (Max)	24VDC/1.3A, 110VAC/0.28A, 220VAC/0.14A	24VDC/1.3A, 110VAC/0.28A, 220VAC/0.14A
Power Consumption (Max)	30W	30W
Heat Dissipation	102 BTU/hr	102 BTU/hr
Physical Information		
Mounting	Panel Mount	Panel Mount
Net Weight	9 Lbs / 4 Kg	7.9 Lbs / 3.58 Kg
Physical Dimension (WxHxD)	12.60 x 10.03 x 2.72 inch 320 x 254.8 x 69.1 mm	12.60 x 10.03 x 2.72 inch 320 x 254.8 x 69.1 mm
Cutout Dimension (WxH)	11.76 x 9.28 inch 298.70 x 235.7 mm	11.76 x 9.28 inch 298.70 x 235.7 mm
Environmental		
Operating Temp	0° - 50°C (32° - 122°F)	0° - 50°C (32° - 122°F)
Storage Temp	-20° - 60°C (-4° - 140°F)	-20° - 60°C (-4° - 140°F)
Relative Humidity	0% - 95% (non-condensing)	0% - 95% (non-condensing)
Rating	NEMA 4/4X Bezel	NEMA 4/4X Bezel
Certification	UL508 NRAQ Programmable Controller	

Features

- ▶ 15 inch Active Matrix TFT LCD
- ▶ 5 Wire Resistive Touch Screen
- ▶ NEMA 4/4X Front Bezel
- ▶ Compact Flash Type II Socket
- ▶ ACP Enabled
- ▶ Dual Drives For Data Logging
- ▶ Indusoft Ready



ARP-3615



1
ARP
1700
Series

2
ARP
2200
Series

3
ARP
3600
Series

4
ARP
5500AX
Series

5
ADM
1500
Series

6
ADM
1800
Series

7
ADM
5800
Series

8
ARD
1000

9
Box PC

10
AMA
Series

11
AMS
Series

12
AVW
Series

13
Thin
Clients

14
MPC
Series

15
RS
Series

Specifications	ARP-3615 AP- A00	ARP-3615 AP- B00
LCD Panel		
Display Size (Diagnol)	15 inch	15 inch
Resolution	1024 x 768	1024 x 768
Backlight Lifetime	30,000 hours	30,000 hours
Visual Characteristics		
Colors	16 million	16 million
Aspect ratio	4 : 3	4 : 3
Viewing angle (V/H)	120° /130°	120° /130°
Response time(Typical)	12 ms	12 ms
Pixel Pitch(mm)	0.297 x 0.297	0.297 x 0.297
Contrast ratio	500 : 1	500 : 1
Brightness	250 nits	250 nits
Touch Screen		
Technology	5 Wire Resistive	5 Wire Resistive
Touch rating	35 Million Touches	35 Million Touches
MTBF	490,000 hours	490,000 hours
Interface	RS-232	RS-232
Driver	WinCE, Win XP Pro	WinCE, Win XP Pro
Front Bezel		
NEMA 4	Black Powder Coated	Black Powder Coated
NEMA 4x	Stainless Steel	Stainless Steel
System		
CPU	AMD Lx800 500MHz	Intel Atom N270 1.6GHz
Chipset	CS5536	945GSE & ICH7M
Memory	Up to 1GB DDR-333	Up to 2GB DDR2-533
Video Controller	CS5536 Integrated VGA	945GSE Integrated VGA
Video Interface	LVDS, VGA	LVDS, VGA
Storage Option	1 x 2.5" IDE HDD (Optional)	1 x 2.5" SATA HDD
Compact Flash	Optional CF	Optional CF
Keyboard/Mouse	2 x PS/2 Connectors (Y-Cable)	1 x KB/MS PS/2 Connector
Audio	N/A	N/A
Watchdog Timer	Programmable 1 - 255 sec	Programmable 1 - 255 sec
Expansion Slot	1 x PC/104	Mini PCI-Express
I/O Communication		
USB Port	3 x USB 2.0	4 x USB 2.0
Serial Port	2 x RS-232, 1 x RS-232/422/485	5 x RS-232/422/485
IEEE 1394	N/A	N/A
LAN	2 x 10/ 100 mbps	Dual Gigabit
Parallel	N/A	N/A
OS Support		
OS Support	WinCE, Win XP Pro	WinCE, Win XP Pro
Power/Thermal Specs.		
Power Requirement (Max)	24VDC/1.5A, 110VAC/0.30A, 220VAC/0.15A	24VDC/1.5A, 110VAC/0.30A, 220VAC/0.15A
Power Consumption (Max)	32W	32W
Heat Dissipation	106 BTU/hr	106 BTU/hr
Physical Information		
Mounting	Panel Mount	Panel Mount
Net Weight	11 Lbs / 5 Kg	11 Lbs / 5 Kg
Physical Dimension (WxHxD)	14.51 x 11.80 x 2.80 inch 368.60 x 299.8 x 71.1 mm	14.51 x 11.80 x 2.80 inch 368.60 x 299.8 x 71.1 mm
Cutout Dimension (WxH)	13.54 x 10.91 inch 343.90 x 277.10 mm	13.54 x 10.91 inch 343.90 x 277.10 mm
Environmental		
Operating Temp	0° - 50°C (32° - 122°F)	0° - 50°C (32° - 122°F)
Storage Temp	-20° - 60°C (-4° - 140°F)	-20° - 60°C (-4° - 140°F)
Relative Humidity	0% - 95% (non-condensing)	0% - 95% (non-condensing)
Rating	NEMA 4/4X Bezel	NEMA 4/4X Bezel
Certification	UL508 NRAQ Programmable Controller	

ARP-3600AP Series I/O Details

ARP-3606 AP- A00



ARP-3606 AP- B00



ARP-3608 AP- A00



ARP-3608 AP- B00



ARP-3610 AP- A00



ARP-3610 AP- B00



ARP-3612 AP- A00



ARP-3612 AP- B00



ARP-3615 AP- A00

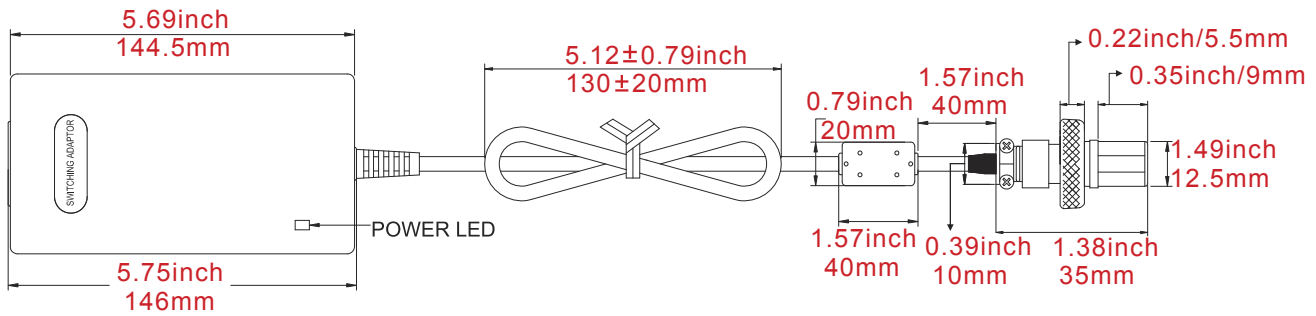
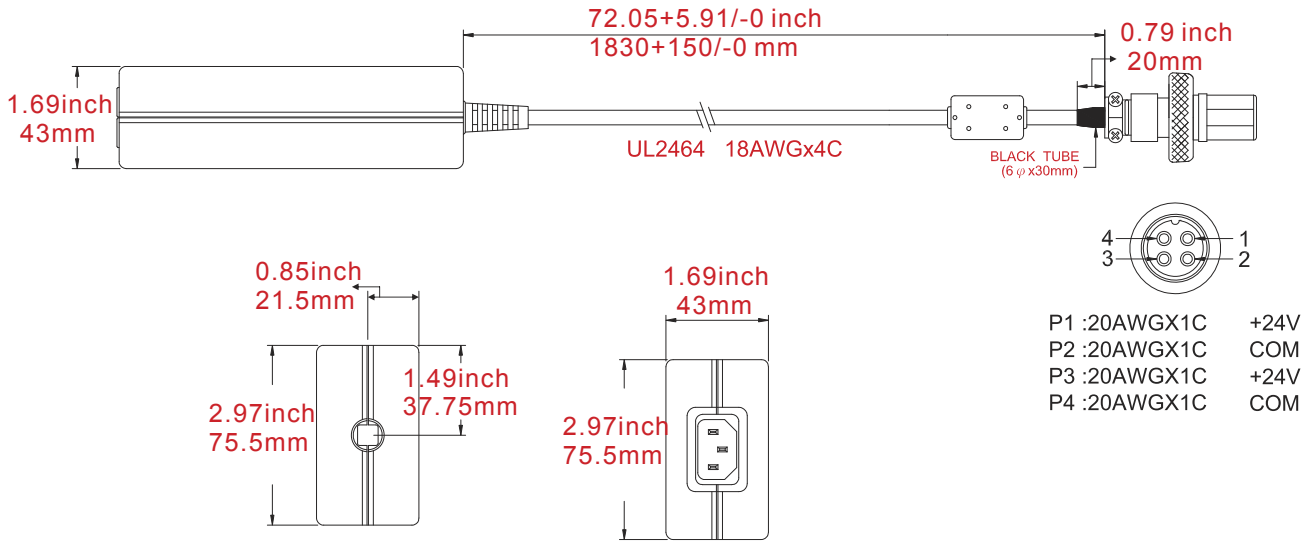


ARP-3615 AP- B00

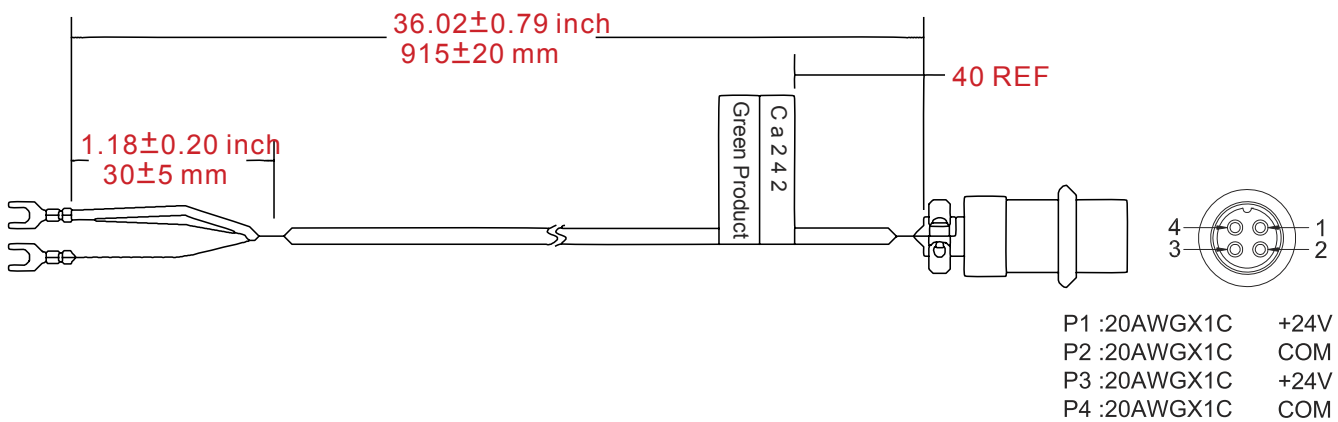


ARP-3600AP Series Power Supply

Model: PSA-066A-024 (110 - 220 VAC Input, 24 VDC Output power supply)

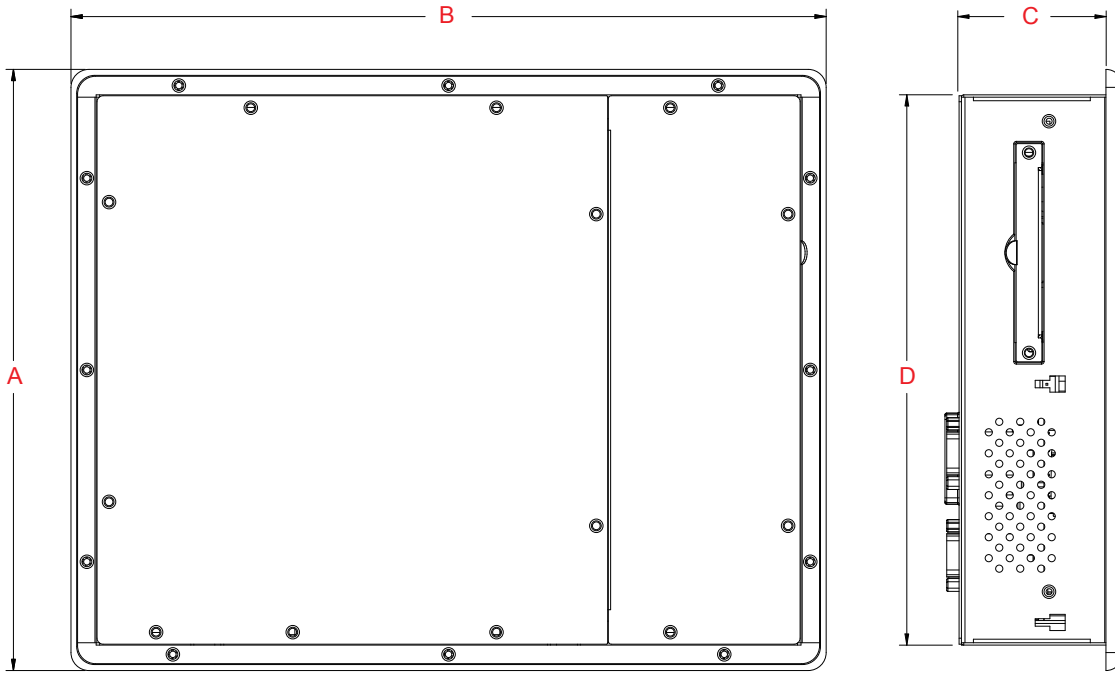


Model : CA242 (3 feet 24 VDC Input power cord)

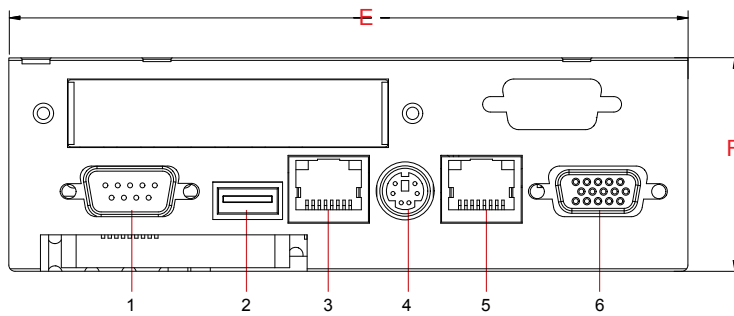


- 1 ARP 1700 Series
- 2 ARP 2200 Series
- 3 ARP 3600 Series
- 4 ARP 5500AX Series
- 5 ADM 1500 Series
- 6 ADM 1800 Series
- 7 ADM 5800 Series
- 8 ARD 1000
- 9 Box PC
- 10 AMA Series
- 11 AMS Series
- 12 AVW Series
- 13 Thin Clients
- 14 MPC Series
- 15 RS Series

ARP-3600AP Series Line Drawing

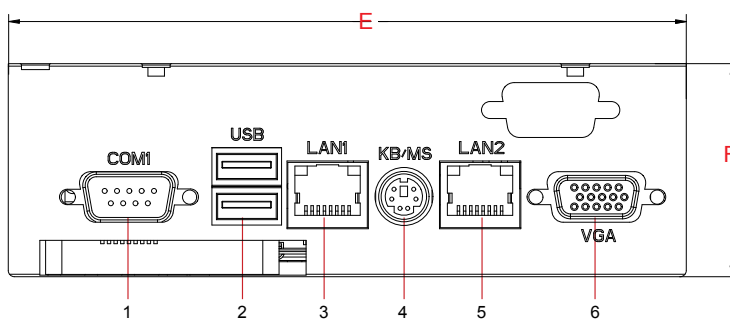


ARP 3600 A00 Series I/O



- 1 = RS 232
- 2 = 1 x USB
- 3 = Ethernet Port
- 4 = KB/MS
- 5 = Ethernet Port
- 6 = VGA

ARP 3600 B00 Series I/O



- 1 = RS 232
- 2 = 2 x USB
- 3 = Ethernet Port
- 4 = KB/MS
- 5 = Ethernet Port
- 6 = VGA

Model	ARP-3606 AP-A00/B00	ARP-3608 AP-A00/B00	ARP-3610 AP-A00/B00	ARP-3612 AP-A00/B00	ARP-3615 AP-A00/B00
A	6.200	7.50	8.80	10.03	11.80
B	8.500	9.70	11.50	12.60	14.51
C	3.080	2.83	2.93	2.49	2.50
D	5.170	6.60	7.90	9.18	10.91
E	7.490	8.75	10.55	11.76	13.54
F	3.62	3.39	3.49	2.96	3.09

Ordering Information		Standard		ACP Enabled		
ARP-3606AP		Black Color Bezel	ARP-3606AP-A00-000	ARP-3606AP-A00-001	ARP-3606AP-A00-002	ARP-3606AP-A00-003
LCD Display	6.4 inch	Bezel	Black Color Bezel	Black Color Bezel	Black Color Bezel	Black Color Bezel
Touch Screen	5-Wire Resistive	Power Supply	DC 24V Input	110/220VAC Input	DC 24V Input	110/220VAC Input
Front Bezel	NEMA 4/4x	ACP Enabled	N/A	N/A	Yes	Yes
Memory	1 GB	Storage	Optional	Optional	N/A	N/A
		Stainless Steel Bezel	ARP-3606AP-A00-004	ARP-3606AP-A00-005	ARP-3606AP-A00-006	ARP-3606AP-A00-007
		Bezel	Stainless Steel Bezel	Stainless Steel Bezel	Stainless Steel Bezel	Stainless Steel Bezel
		Power Supply	DC 24V Input	110/220VAC Input	DC 24V Input	110/220VAC Input
		ACP Enabled	N/A	N/A	Yes	Yes
		Storage	Optional	Optional	N/A	N/A
		Black Color Bezel	ARP-3606AP-B00-000	ARP-3606AP-B00-001	ARP-3606AP-B00-002	ARP-3606AP-B00-003
		Bezel	Black Color Bezel	Black Color Bezel	Black Color Bezel	Black Color Bezel
		Power Supply	DC 24V Input	110/220VAC Input	DC 24V Input	110/220VAC Input
		ACP Enabled	N/A	N/A	Yes	Yes
		Storage	Optional	Optional	N/A	N/A
		Stainless Steel Bezel	ARP-3606AP-B00-004	ARP-3606AP-B00-005	ARP-3606AP-B00-006	ARP-3606AP-B00-007
		Bezel	Stainless Steel Bezel	Stainless Steel Bezel	Stainless Steel Bezel	Stainless Steel Bezel
		Power Supply	DC 24V Input	110/220VAC Input	DC 24V Input	110/220VAC Input
		ACP Enabled	N/A	N/A	Yes	Yes
		Storage	Optional	Optional	N/A	N/A
ARP-3608AP		Black Color Bezel	ARP-3608AP-A00-000	ARP-3608AP-A00-001	ARP-3608AP-A00-002	ARP-3608AP-A00-003
LCD Display	8.4 inch	Bezel	Black Color Bezel	Black Color Bezel	Black Color Bezel	Black Color Bezel
Touch Screen	5-Wire Resistive	Power Supply	DC 24V Input	110/220VAC Input	DC 24V Input	110/220VAC Input
Front Bezel	NEMA 4/4x	ACP Enabled	N/A	N/A	Yes	Yes
Memory	1 GB	Storage	Optional	Optional	N/A	N/A
		Stainless Steel Bezel	ARP-3608AP-A00-004	ARP-3608AP-A00-005	ARP-3608AP-A00-006	ARP-3608AP-A00-007
		Bezel	Stainless Steel Bezel	Stainless Steel Bezel	Stainless Steel Bezel	Stainless Steel Bezel
		Power Supply	DC 24V Input	110/220VAC Input	DC 24V Input	110/220VAC Input
		ACP Enabled	N/A	N/A	Yes	Yes
		Storage	Optional	Optional	N/A	N/A
		Black Color Bezel	ARP-3608AP-B00-000	ARP-3608AP-B00-001	ARP-3608AP-B00-002	ARP-3608AP-B00-003
		Bezel	Black Color Bezel	Black Color Bezel	Black Color Bezel	Black Color Bezel
		Power Supply	DC 24V Input	110/220VAC Input	DC 24V Input	110/220VAC Input
		ACP Enabled	N/A	N/A	Yes	Yes
		Storage	Optional	Optional	N/A	N/A
		Stainless Steel Bezel	ARP-3608AP-B00-004	ARP-3608AP-B00-005	ARP-3608AP-B00-006	ARP-3608AP-B00-007
		Bezel	Stainless Steel Bezel	Stainless Steel Bezel	Stainless Steel Bezel	Stainless Steel Bezel
		Power Supply	DC 24V Input	110/220VAC Input	DC 24V Input	110/220VAC Input
		ACP Enabled	N/A	N/A	Yes	Yes
		Storage	Optional	Optional	N/A	N/A
ARP-3610AP		Black Color Bezel	ARP-3610AP-A00-000	ARP-3610AP-A00-001	ARP-3610AP-A00-002	ARP-3610AP-A00-003
LCD Display	10.4 inch	Bezel	Black Color Bezel	Black Color Bezel	Black Color Bezel	Black Color Bezel
Touch Screen	5-Wire Resistive	Power Supply	DC 24V Input	110/220VAC Input	DC 24V Input	110/220VAC Input
Front Bezel	NEMA 4/4x	ACP Enabled	N/A	N/A	Yes	Yes
Memory	1 GB	Storage	Optional	Optional	N/A	N/A
		Stainless Steel Bezel	ARP-3610AP-A00-004	ARP-3610AP-A00-005	ARP-3610AP-A00-006	ARP-3610AP-A00-007
		Bezel	Stainless Steel Bezel	Stainless Steel Bezel	Stainless Steel Bezel	Stainless Steel Bezel
		Power Supply	DC 24V Input	110/220VAC Input	DC 24V Input	110/220VAC Input
		ACP Enabled	N/A	N/A	Yes	Yes
		Storage	Optional	Optional	N/A	N/A
		Black Color Bezel	ARP-3610AP-B00-000	ARP-3610AP-B00-001	ARP-3610AP-B00-002	ARP-3610AP-B00-003
		Bezel	Black Color Bezel	Black Color Bezel	Black Color Bezel	Black Color Bezel
		Power Supply	DC 24V Input	110/220VAC Input	DC 24V Input	110/220VAC Input
		ACP Enabled	N/A	N/A	Yes	Yes
		Storage	Optional	Optional	N/A	N/A
		Stainless Steel Bezel	ARP-3610AP-B00-004	ARP-3610AP-B00-005	ARP-3610AP-B00-006	ARP-3610AP-B00-007
		Bezel	Stainless Steel Bezel	Stainless Steel Bezel	Stainless Steel Bezel	Stainless Steel Bezel
		Power Supply	DC 24V Input	110/220VAC Input	DC 24V Input	110/220VAC Input
		ACP Enabled	N/A	N/A	Yes	Yes
		Storage	Optional	Optional	N/A	N/A

- 1**
ARP
1700
Series
- 2**
ARP
2200
Series
- 3**
ARP
3600
Series
- 4**
ARP
5500AX
Series
- 5**
ADM
1500
Series
- 6**
ADM
1800
Series
- 7**
ADM
5800
Series
- 8**
ARD
1000
- 9**
Box PC
- 10**
AMA
Series
- 11**
AMS
Series
- 12**
AVW
Series
- 13**
Thin
Clients
- 14**
MPC
Series
- 15**
RS
Series

Ordering Information		Standard		ACP Enabled		
ARP-3612AP		Black Color Bezel	ARP-3612AP-A00-000	ARP-3612AP-A00-001	ARP-3612AP-A00-002	ARP-3612AP-A00-003
LCD Display	12.1 inch	Bezel	Black Color Bezel	Black Color Bezel	Black Color Bezel	Black Color Bezel
Touch Screen	5-Wire Resistive	Power Supply	DC 24V Input	110/220VAC Input	DC 24V Input	110/220VAC Input
Front Bezel	NEMA 4/4x	ACP Enabled	N/A	N/A	Yes	Yes
Memory	1 GB	Storage	Optional	Optional	N/A	N/A
		Stainless Steel Bezel	ARP-3612AP-A00-004	ARP-3612AP-A00-005	ARP-3612AP-A00-006	ARP-3612AP-A00-007
		Bezel	Stainless Steel Bezel	Stainless Steel Bezel	Stainless Steel Bezel	Stainless Steel Bezel
		Power Supply	DC 24V Input	110/220VAC Input	DC 24V Input	110/220VAC Input
		ACP Enabled	N/A	N/A	Yes	Yes
		Storage	Optional	Optional	N/A	N/A
		Black Color Bezel	ARP-3612AP-B00-000	ARP-3612AP-B00-001	ARP-3612AP-B00-002	ARP-3612AP-B00-003
		Bezel	Black Color Bezel	Black Color Bezel	Black Color Bezel	Black Color Bezel
		Power Supply	DC 24V Input	110/220VAC Input	DC 24V Input	110/220VAC Input
		ACP Enabled	N/A	N/A	Yes	Yes
		Storage	Optional	Optional	N/A	N/A
		Stainless Steel Bezel	ARP-3612AP-B00-004	ARP-3612AP-B00-005	ARP-3612AP-B00-006	ARP-3612AP-B00-007
		Bezel	Stainless Steel Bezel	Stainless Steel Bezel	Stainless Steel Bezel	Stainless Steel Bezel
		Power Supply	DC 24V Input	110/220VAC Input	DC 24V Input	110/220VAC Input
		ACP Enabled	N/A	N/A	Yes	Yes
		Storage	Optional	Optional	N/A	N/A
ARP-3615AP		Black Color Bezel	ARP-3615AP-A00-000	ARP-3615AP-A00-001	ARP-3615AP-A00-002	ARP-3615AP-A00-003
LCD Display	15 inch	Bezel	Black Color Bezel	Black Color Bezel	Black Color Bezel	Black Color Bezel
Touch Screen	5-Wire Resistive	Power Supply	DC 24V Input	110/220VAC Input	DC 24V Input	110/220VAC Input
Front Bezel	NEMA 4/4x	ACP Enabled	N/A	N/A	Yes	Yes
Memory	1 GB	Storage	Optional	Optional	N/A	N/A
		Stainless Steel Bezel	ARP-3615AP-A00-004	ARP-3615AP-A00-005	ARP-3615AP-A00-006	ARP-3615AP-A00-007
		Bezel	Stainless Steel Bezel	Stainless Steel Bezel	Stainless Steel Bezel	Stainless Steel Bezel
		Power Supply	DC 24V Input	110/220VAC Input	DC 24V Input	110/220VAC Input
		ACP Enabled	N/A	N/A	Yes	Yes
		Storage	Optional	Optional	N/A	N/A
		Black Color Bezel	ARP-3615AP-B00-000	ARP-3615AP-B00-001	ARP-3615AP-B00-002	ARP-3615AP-B00-003
		Bezel	Black Color Bezel	Black Color Bezel	Black Color Bezel	Black Color Bezel
		Power Supply	DC 24V Input	110/220VAC Input	DC 24V Input	110/220VAC Input
		ACP Enabled	N/A	N/A	Yes	Yes
		Storage	Optional	Optional	N/A	N/A
		Stainless Steel Bezel	ARP-3615AP-B00-004	ARP-3615AP-B00-005	ARP-3615AP-B00-006	ARP-3615AP-B00-007
		Bezel	Stainless Steel Bezel	Stainless Steel Bezel	Stainless Steel Bezel	Stainless Steel Bezel
		Power Supply	DC 24V Input	110/220VAC Input	DC 24V Input	110/220VAC Input
		ACP Enabled	N/A	N/A	Yes	Yes
		Storage	Optional	Optional	N/A	N/A



Arista Corporation's Powerful and Easy to Use HMI Express Pro ARP-3600AP Series with InTouch Compact Edition includes simple drag and drop, point and click automation development tools to develop modern Human Machine Interfaces (HMI) and Supervisory Control and Data Acquisition (SCADA) applications. Ideal Applications include embedded machine or process Controls, servo drives, control panels, man-machine interfaces, SCADA and wireless SCADA, data collection, maintenance terminals, PLC interface panels, machine parameter adjustment, mobile process supervision, embedded systems, in mobile monitoring tools, and for instrumentation and laboratory automation applications.

ARP-3600AP-A00

- > Active Matrix TFT LCD
- > 5 Wire Resistive Touch Screen
- > AMD LX 800 Processor
- > Up to 1 GB DDR-333 SO-DIMM
- > Compact Flash Type II Socket
- > 2.5" IDE Hard Drive Option
- > Dual Drives For Data Logging
- > One PC/104 Slot
- > ACP Enabled Version Available

ARP-3600AP-B00

- > Active Matrix TFT LCD
- > 5 Wire Resistive Touch Screen
- > Intel Atom N270 Processor
- > Upto 2 GB DDR2 - 533 SO-DIMM
- > Compact Flash Type II Socket
- > 2.5" SATA Hard Drive Option
- > Dual Drives For Data Logging
- > One PC/104 Slot
- > ACP Enabled Version Available

1	ARP 1700 Series
2	ARP 2200 Series
3	ARP 3600 Series
4	ARP 5500AX Series
5	ADM 1500 Series
6	ADM 1800 Series
7	ADM 5800 Series
8	ARD 1000
9	Box PC
10	AMA Series
11	AMS Series
12	AVW Series
13	Thin Clients
14	MPC Series
15	RS Series



ARP-3600AP Series with InTouch Compact Edition

Overview

The Arista HMI Express Pro ARP-3600AP Series with InTouch Compact Edition is a complete Supervisory Control/Process Monitoring/Operator Interface, which runs a Wonderware InTouch software on a Windows CE operating System. Based on Wonderware InTouch software, it offers a rich set of features including graphical displays (with dynamic symbols), alarm and event logging, trending, data logging, batch recipes, math / scheduler, security, language translation, report generation, SML and 21 XDE 11 support. InTouch software is an open and extensible HMI with cutting-edge graphical capabilities providing incredible power and flexibility for application design with connectivity to the broadest range of systems and devices in the industry. The HMI-Express can also be used as a Web Thin Client, with two built-in Ethernet ports to keep your factory network isolated from the local I/O network, enabling complete control and monitoring from anywhere outside the plant.



Features

- > Can be used as a stand-alone Operator Interface.
- > Remote management and debugging tools allow you to manage (download, upload, run, stop, and debug) your application remotely from your development station.
- > Incredible scalability from simple single-node HMI to enterprise-wide supervisory solutions using the Wonderware System Platform.
- > Built-in features for consistent handling and visualization of data quality. Complete backwards compatibility with existing InTouch software applications.
- > Operational features that provide clear, clutter free, accurate and compelling visualization, while greatly expanding the amount of information available.





Your Breakthrough Solution for Enterprise-wide Visualization and HMI

Wonderware InTouch software leaps onto your screen with breakthrough technology, amazing graphic capabilities and comprehensive functionality delivered with Wonderware's legendary ease of use.

The award winning Wonderware InTouch Compact Edition continues to outshine the competition with intuitive user interaction, robust runtime functionality, seamless integration with the Wonderware System Platform and unparalleled investment protection. InTouch software is an open and extensible HMI with cutting-edge graphical capabilities providing incredible power and flexibility for application design with connectivity to the broadest range of systems and devices in the industry.

Whether you're an engineer, an operator, an end-user, a system integrator, an OEM, or a VAR, Wonderware InTouch Compact Edition will give you the breakthrough capabilities you need, to realize your own breakthrough improvements in operational and engineering productivity.

Powerful and Easy to Use

Already established as the world's favorite HMI and used in over onethird of the world's plants, in virtually every country and industry, Wonderware InTouch software raises the bar for excellence with a host of features and capabilities, including:

Key Benefits

- > Truly legendary ease-of-use enabling developers and operators to quickly and easily be more productive
- > Unequaled device integration and connectivity to virtually every device and system
- > Stunning graphic visual representation and interaction with your operation brings the right information to the right people at the right
- > History of uninterrupted software version migration path that means your HMI applications investment is protected



Key Capabilities

- > Sophisticated scripting to extend and customize applications for your specific needs
- > Real-time distributed Alarming with historical views for analysis
- > Built-in, real-time and historical trending
- > Extensible library of over 500 pre-designed 'intelligent' and customizable graphic and object symbols
- > Runtime Language Switching
- > Recipe Management
- > Support for Smaller and Mobile Screens



Arista's HMI Express Pro ARP 3600AP Series with Wonderware InTouch Compact Edition, is powerful and easy to use, enabling engineers to become more productive and creative. While reducing application development costs, it allows them to build compelling, intuitive, and maintainable HMI, SCADA, and MES applications that are secure and reliable. It is full of features such as remote management. A complete hardware and software package, it is a turn-key HMI solution that is easy to install.



1	ARP 1700 Series
2	ARP 2200 Series
3	ARP 3600 Series
4	ARP 5500AX Series
5	ADM 1500 Series
6	ADM 1800 Series
7	ADM 5800 Series
8	ARD 1000
9	Box PC
10	AMA Series
11	AMS Series
12	AVW Series
13	Thin Clients
14	MPC Series
15	RS Series


Ordering Information (Powered by Wonderware)

ARP-3606AP		Black Color Bezel	ARP-3606AP-A00-W00	ARP-3606AP-A00-W01	ARP-3606AP-B00-W00	ARP-3606AP-B00-W01
LCD Display	6.4 inch	Bezel	Black Color Bezel	Black Color Bezel	Black Color Bezel	Black Color Bezel
Touch Screen	5-Wire Resistive	Power Supply	DC 24V Input	110/220VAC Input	DC 24V Input	110/220VAC Input
Operating System	Win CE 5.0	Stainless Steel Bezel	ARP-3606AP-A00-W04	ARP-3606AP-A00-W05	ARP-3606AP-B00-W04	ARP-3606AP-B00-W05
		Bezel	Stainless Steel Bezel	Stainless Steel Bezel	Stainless Steel Bezel	Stainless Steel Bezel
		Power Supply	DC 24V Input	110/220VAC Input	DC 24V Input	110/220VAC Input
ARP-3608AP		Black Color Bezel	ARP-3608AP-A00-W00	ARP-3608AP-A00-W01	ARP-3608AP-B00-W00	ARP-3608AP-B00-W01
LCD Display	8.4 inch	Bezel	Black Color Bezel	Black Color Bezel	Black Color Bezel	Black Color Bezel
Touch Screen	5-Wire Resistive	Power Supply	DC 24V Input	110/220VAC Input	DC 24V Input	110/220VAC Input
Operating System	Win CE 5.0	Stainless Steel Bezel	ARP-3608AP-A00-W04	ARP-3608AP-A00-W05	ARP-3608AP-B00-W04	ARP-3608AP-B00-W05
		Bezel	Stainless Steel Bezel	Stainless Steel Bezel	Stainless Steel Bezel	Stainless Steel Bezel
		Power Supply	DC 24V Input	110/220VAC Input	DC 24V Input	110/220VAC Input
ARP-3610AP		Black Color Bezel	ARP-3610AP-A00-W00	ARP-3610AP-A00-W01	ARP-3610AP-B00-W00	ARP-3610AP-B00-W01
LCD Display	10.4 inch	Bezel	Black Color Bezel	Black Color Bezel	Black Color Bezel	Black Color Bezel
Touch Screen	5-Wire Resistive	Power Supply	DC 24V Input	110/220VAC Input	DC 24V Input	110/220VAC Input
Operating System	Win CE 5.0	Stainless Steel Bezel	ARP-3610AP-A00-W04	ARP-3610AP-A00-W05	ARP-3610AP-B00-W04	ARP-3610AP-B00-W05
		Bezel	Stainless Steel Bezel	Stainless Steel Bezel	Stainless Steel Bezel	Stainless Steel Bezel
		Power Supply	DC 24V Input	110/220VAC Input	DC 24V Input	110/220VAC Input
ARP-3612AP		Black Color Bezel	ARP-3612AP-A00-W00	ARP-3612AP-A00-W01	ARP-3612AP-B00-W00	ARP-3612AP-B00-W01
LCD Display	12.1 inch	Bezel	Black Color Bezel	Black Color Bezel	Black Color Bezel	Black Color Bezel
Touch Screen	5-Wire Resistive	Power Supply	DC 24V Input	110/220VAC Input	DC 24V Input	110/220VAC Input
Operating System	Win CE 5.0	Stainless Steel Bezel	ARP-3612AP-A00-W04	ARP-3612AP-A00-W05	ARP-3612AP-B00-W04	ARP-3612AP-B00-W05
		Bezel	Stainless Steel Bezel	Stainless Steel Bezel	Stainless Steel Bezel	Stainless Steel Bezel
		Power Supply	DC 24V Input	110/220VAC Input	DC 24V Input	110/220VAC Input
ARP-3615AP		Black Color Bezel	ARP-3615AP-A00-W00	ARP-3615AP-A00-W01	ARP-3615AP-B00-W00	ARP-3615AP-B00-W01
LCD Display	15 inch	Bezel	Black Color Bezel	Black Color Bezel	Black Color Bezel	Black Color Bezel
Touch Screen	5-Wire Resistive	Power Supply	DC 24V Input	110/220VAC Input	DC 24V Input	110/220VAC Input
Operating System	Win CE 5.0	Stainless Steel Bezel	ARP-3615AP-A00-W04	ARP-3615AP-A00-W05	ARP-3615AP-B00-W04	ARP-3615AP-B00-W05
		Bezel	Stainless Steel Bezel	Stainless Steel Bezel	Stainless Steel Bezel	Stainless Steel Bezel
		Power Supply	DC 24V Input	110/220VAC Input	DC 24V Input	110/220VAC Input


Accessories Options

Accessories	Description
CE 5.0 :	Windows CE 5.0 Operating System
CA 2 4 2 :	3 feet 24 VDC Input power cord
PSA- 0 6 6A- 0 2 4 :	110 - 220VAC Input, 24 VDC Output 66 W AC Power Adaptor

