



Talk to us. We listen.



THINMANAGER

Industrial Thin Clients



Index

Control Room Thin Clients	2
AP-3500-E01	3
Dual HDMI Output Office Grade Thin Client	
BoxPC-138/238 Series	6
Multi-HDMI Output Multi-Monitor Thin Clients	
Plant Floor Thin Clients	9
MicroBox-7824B E-Series	10
Industrial Thin Clients	
ARP-3600AP-E01 Series	13
5-Wire Resistive Touch Panel Thin Clients	
ARP-3700AP-E01 Series	18
Flush Bezel Resistive Touch Panel Thin Clients	
ARP-3800AP-E01	23
Multi-Touch Touch Panel Thin Clients	
ARP-2200AP Series	28
Class 1 Div. 2 Hazardous Location Touch Panel Thin Clients	
ARP-5500AX Series	31
Wash Down Area / Hazardous Location Touch Panel Thin Clients	
ARP-5565BP-E01	38
65" Industrial Large Format Display Thin Client	



Talk to us. We listen.



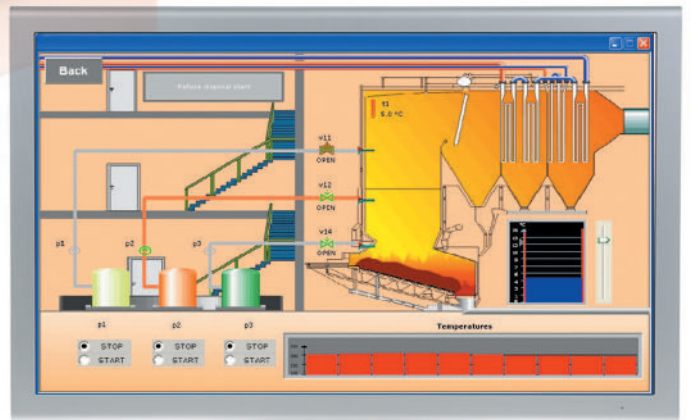
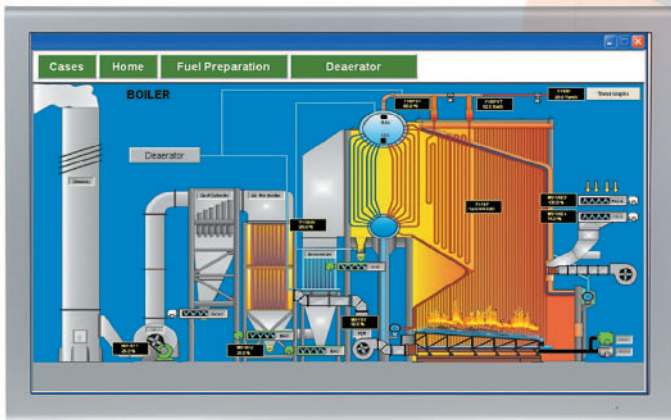
Control Room Thin Clients

Multi-HDMI

4K Resolution



THINMANAGER



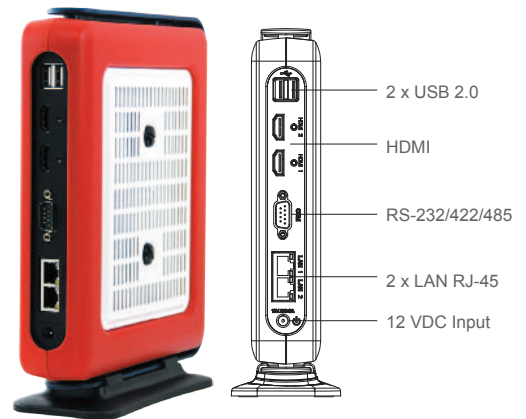
AP-3500-E01

Dual HDMI Output Office Grade Thin Client

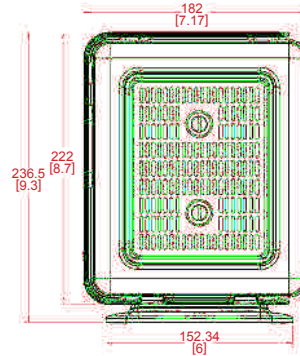
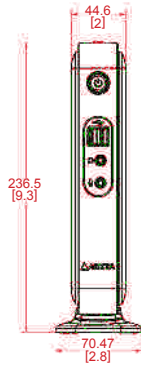


THINMANAGER

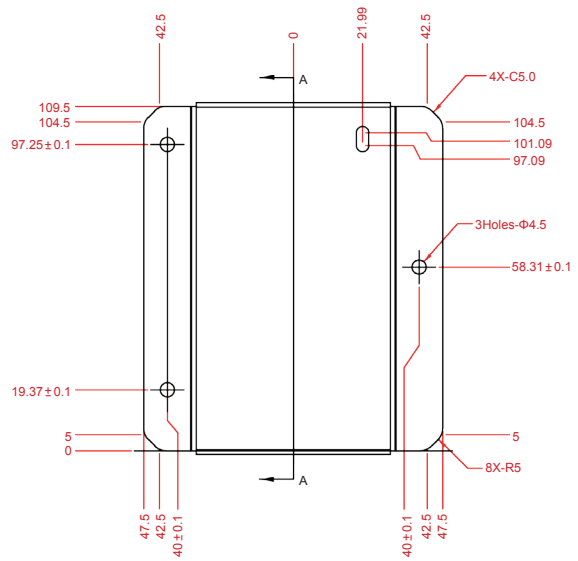
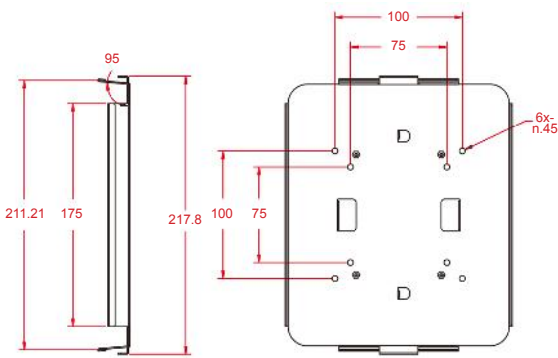
Specifications	AP-3500-E01
System	
CPU	Intel E3845 1.91GHz ATOM CPU
Chipset	(By CPU)
Memory	4GB DDR3 SO-DIMM
Video Controller	Intel Gen7 Intel Graphics DX 11, OGL3.2
External Video Output	Dual HDMI
Storage Option	CFast card
Compact Flash	N/A
Keyboard/Mouse	USB
Audio	N/A
Watchdog Timer	YES
Remote Boot	ACP, PXE
I/O Communication	
USB Port	1 x USB 3.0, 3 x USB 2.0
Serial Port	1 x RS-232/422/485
LAN	2 x Gigabit
Parallel	N/A
GPIO	N/A
ThinManager Support	
ThinManager Support	ThinManager 6 & Up
Power / Thermal Specs	
Power Requirement (Max)	12VDC / 1.05A
Power Consumption (Max)	13 W
Recommended Power Supply	18 W
Heat Dissipation	43 BTU/hr
Physical Information	
Mounting	Desktop, VESA Mount option
Net Weight	2.75 Lbs / 1.2 Kg
Physical Dimension (WxHxD)	2.77 x 9.31 x 7.14 inch 70.5 x 236.5 x 181.0 mm
Recommended cutout Dimension (WxH)	N/A
Environmental	
Operating Temperature	0~35°C (32~95°F)
Storage Temperature	-20~60°C (-4~140°F)
Relative Humidity	0~95%
IP/NEMA Rating	N/A
Certification	FCC, CE, UL 60950-1



Ordering Information	AP-3500-E01-003	AP-3500-E01-P03
CPU	E3845 ATOM CPU	E3845 ATOM CPU
Memory	4GB DDR3	4GB DDR3
Storage	N/A	N/A
Remote Boot	ACP Enable	PXE
Power Supply	110/220VAC Input	110/220VAC Input



Dimensional Drawing



VESA Mount Bracket (optional)
Ordering Code: VESA-3500



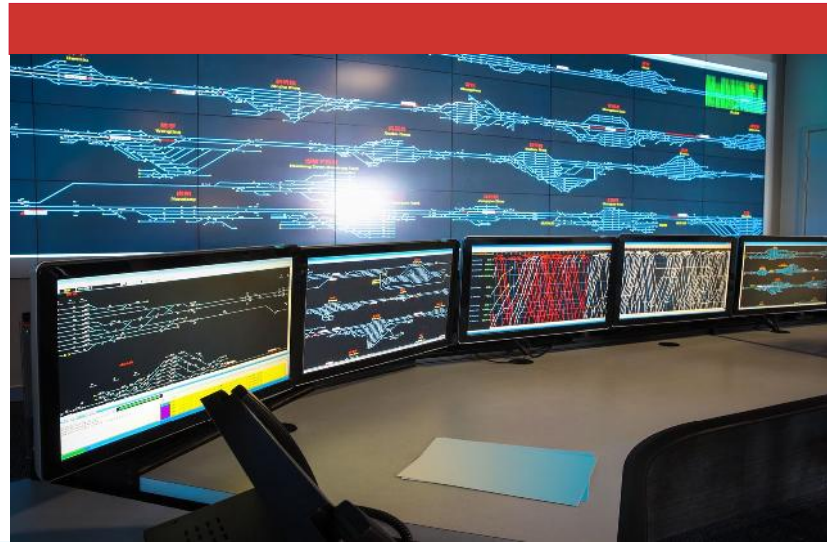


Thin Clients for Visualization

Arista dual HDMI output Thin Client AP-3500-E01, five HDMI output multi-monitor Thin Client BoxPC-138-G00-00D, and 4K resolution HDMI output Thin Client BoxPC-138-H00-003, were designed to deliver utmost control room visualization performance, ideal for use in crisis centers, transportation, network operation, security monitoring, broadcast, mining/oil/gas manufacturing and many more. With Arista Multi-Monitor Thin Clients, users have the ease of monitoring processes in an efficient and ergonomic way.



BoxPC-138-G01-00D
Five HDMI Outputs



Multi-Monitor Thin Client - Drives up to five monitors from a single client

Arista BoxPC-138-G00 Multi-Monitor Thin Client allows you to connect up to five displays from a single Thin Client and span single application across several monitors. Arista BoxPC-138-G00 Multi-Monitor Thin Client offers the ability to expand number of sessions and can be simultaneously viewed from any designated work station. The thin client solution minimizes the use of desktop space and let administrators use independent displays that best fits the workplace needs. Users can use two adjacent monitors to span a single session while two other monitors can be used to display sessions running on other servers. Arista MultiMonitor Thin Client supports spanned resolutions up to 8192 x 8192 with 64K colors for MS Server 2012 and other latest versions. MS Server 2008 and prior version are limited to a spanned resolution of 4096 x 2048.

4K

ULTRA HD



BoxPC-138-H00-003
4K Resolution HDMI Output



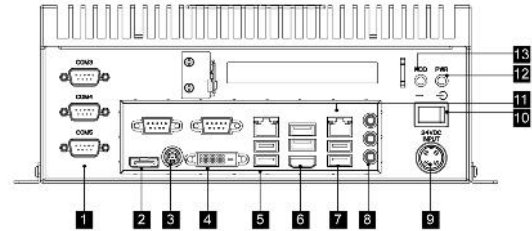
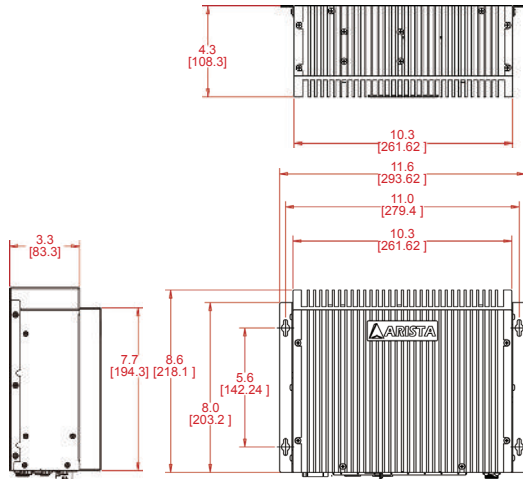
Thin Client supports 4K UHD Display

4K UHD (ultra high definition) is ideal for 24/7 active visual operations in a critical control room environment. It offers real-time accuracy and efficiency with multiple-screens or displays. Arista's BoxPC-138-H00-003 with ThinManager 9.0 supports Virtual Screens, it allows screen to divide in separate display sections with multi-monitor functionality on a single physical 4K UHD LCD display monitor. There are 1920 x 1080 pixels for each section when 4K UHD LCD monitor is split into quad view and each section represents a Full HD screen supporting up to 1920 x 1080 resolution.

Specifications	BoxPC-138-G01	BoxPC-138-H00
System		
CPU	Intel i5 mobile Processor	Intel i7 mobile Processor
Chipset	Intel QM77	Intel Skylake
Memory	8GB DDR3	4GB DDR4
Video Controller	Intel HD Graphics 4000	Intel HD Graphics 530
External Video Output	5 x HDMI	Support 4K Virtual Screen
Storage Option	N/A	N/A
Compact Flash	N/A	N/A
Keyboard/Mouse	1 x PS / 2 connectors	USB
Audio	Line in, Line Out, Mic-In	Line in, Line Out, Mic-In
Watchdog Timer	Programmable 1 - 255 sec	Programmable 1 - 255 sec
Remote Boot	APC, PXE	APC, PXE
I/O Communication		
USB Port	4 x USB 2.0, 2 x USB 3.0	4 x USB 3.0
Serial Port	2 x RS-232/422/485	N/A
LAN	Dual Gigabit LAN	Dual Gigabit LAN
Parallel	N/A	N/A
GPIO	N/A	N/A
Smart Battery		
External Smart Battery	N/A	N/A
ThinManager Support		
ThinManager Support	ThinManager 7 & Up	ThinManager 9 & Up
Power / Thermal Specs		
Power Requirement (Max)	24 VDC / 3A	
Power Consumption (Max)	73 W	
Recommended Power Supply	103 W	
Heat Dissipation	246 BTU/hr	
Physical Information		
Mounting	Wall Mount	Wall Mount
Net Weight	10 Lbs / 4.53 Kg	10 Lbs / 4.53 Kg
Physical Dimension (WxHxD)	11.56 x 4.26 x 8.59 inch 293.6 x 108.3 x 218.3 mm	11.56 x 4.26 x 8.59 inch 293.6 x 108.3 x 218.3 mm
Recommended cutout Dimension (WxH)	N/A	N/A
Environmental		
Operating Temperature	0~50°C (32~122°F)	0~50°C (32~122°F)
Storage Temperature	-20~60°C (-4~140°F)	0~50°C (32~122°F)
Relative Humidity	0~95%	0~95%
IP/NEMA Rating	meets IP50	meets IP50
Certification	UL 508	

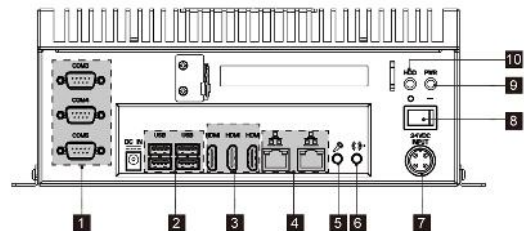
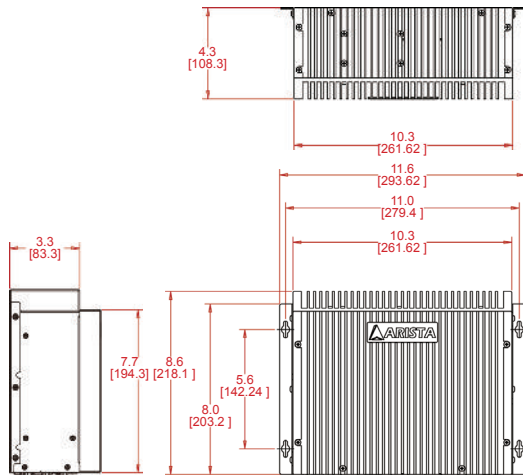
Ordering Information				
	BOXPC-138-G01-00D	BOXPC-138-G01-00D-DR	BOXPC-138-G01-P0D	BOXPC-138-G01-P0D-DR
CPU	i7 Mobile	i7 Mobile	i7 Mobile	i7 Mobile
Memory	8GB DDR3	8GB DDR3	8GB DDR3	8GB DDR3
Storage	N/A	N/A	N/A	N/A
Remote Boot	ACP Enable	ACP Enable	PXE	PXE
Power Supply	110/220VAC Input	110/220VAC Input DIN-Rail	110/220VAC Input	110/220VAC Input DIN-Rail
	BOXPC-138-H00-003	BOXPC-138-H00-003-DR	BOXPC-138-H00-P03	BOXPC-138-H00-P03-DR
CPU	i7 Desktop	i7 Desktop	i7 Desktop	i7 Desktop
Memory	4GB DDR4	4GB DDR4	4GB DDR4	4GB DDR4
Storage	N/A	N/A	N/A	N/A
Remote Boot	ACP Enable	ACP Enable	ACP Enable	ACP Enable
Power Supply	110/220VAC Input	110/220VAC Input DIN-Rail	110/220VAC Input	110/220VAC Input DIN-Rail

BoxPC-138-G01



- 1 COM1, COM2, COM3, COM4, COM5
- 2 Display port
- 3 PS/2 Mouse/Keyboard Port
- 4 DVI port
- 5 4 x USB2.0 port
- 6 HDMI port
- 7 2 x USB 3.0 port
- 8 Line IN (Blue); Line out (Green); Microphone(Pink)
- 9 DC 24V input
- 10 Power switch
- 11 2 x LAN RJ-45 Port
- 12 PWR: Power LED indicator
Illuminates green when power on. Illuminates red when power off
- 13 HDD: Hard disk driver LED indicator

BoxPC-138-H00



- 1 3 x COM port
- 2 4 x USB port
- 3 3 x HDMI port
- 4 2 x RJ-45 LAN Port
- 5 Microphone jack
- 6 Audio In jack
- 7 DC 24V power input
- 8 Power button
- 9 PWR: Power LED indicator
Lights in green when power on, lights in red when power off.
- 10 HDD: Hard disk driver LED indicator



Plant Floor Thin Clients



THINMANAGER



Smart Battery



USB 3.0



CFast

MicroBox-7824B E-Series

ThinManager Ready Industrial Thin Clients

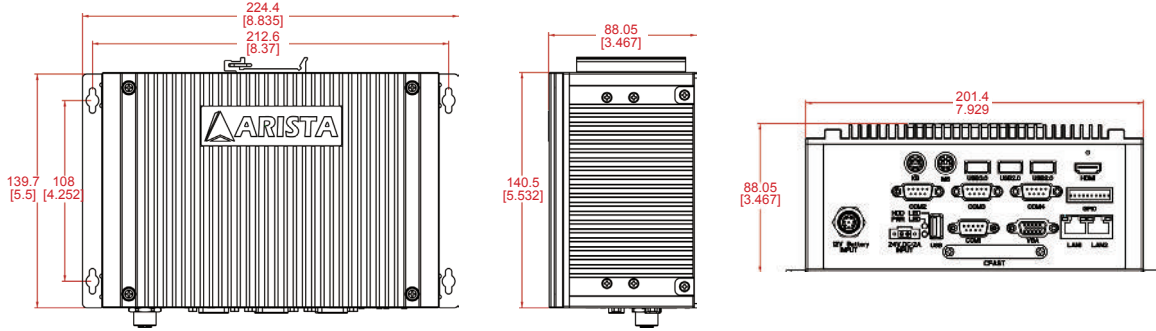


THINMANAGER

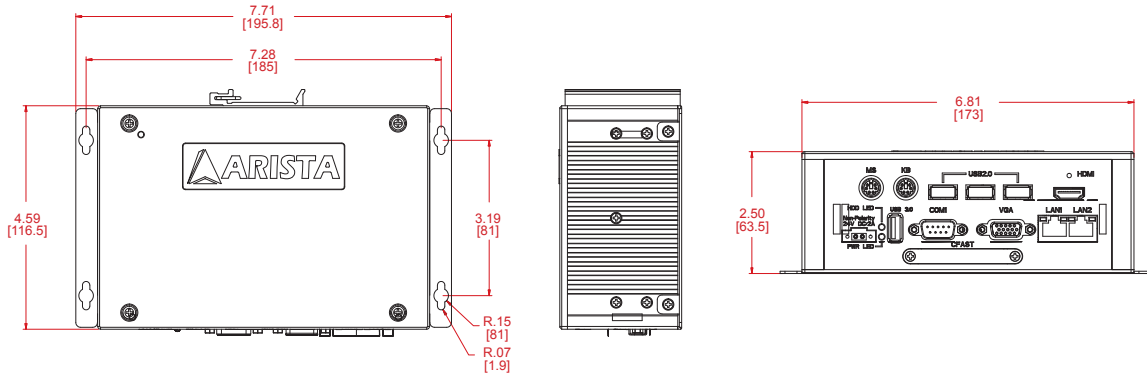
Specifications	MicroBox-7824B-E01	MicroBox-7824B-E02
System		
CPU	Intel E3845 1.91GHz ATOM CPU	Intel E3845 1.91GHz ATOM CPU
Chipset	(By CPU)	(By CPU)
Memory	4GB DDR3 SO-DIMM	4GB DDR3 SO-DIMM
Video Controller	Intel Gen7 Intel Graphics DX 11, OGL3.2	Intel Gen7 Intel Graphics DX 11, OGL3.2
Video Interface	VGA, HDMI	VGA, HDMI
Storage Option	CFast card	CFast card
Compact Flash	N/A	N/A
Keyboard/Mouse	USB / PS2	USB / PS2
Audio	N/A	N/A
Watchdog Timer	YES	YES
Remote Boot	ACP, PXE	ACP, PXE
I/O Communication		
USB Port	1 x USB 3.0, 3 x USB 2.0	1 x USB 3.0, 3 x USB 2.0
Serial Port	1 x RS-232/422/485, 3x RS-232	1 x RS-232/422/485
LAN	2 x Gigabit	2 x Gigabit
Parallel	N/A	N/A
GPIO	4 x DI, 4 x DO	N/A
ThinManager Support		
ThinManager Support	ThinManager 6 & Up	ThinManager 6 & Up
Power / Thermal Specs		
Power Requirement (Max)	24VDC / 0.7A	24VDC / 0.7A
Power Consumption (Max)	17 W	17 W
Recommended Power Supply	24 W	24 W
Heat Dissipation	58 BTU/hr	58 BTU/hr
Physical Information		
Mounting	Wall Mount, DIN-Rail Mount	Wall Mount, DIN-Rail Mount
Net Weight	5.1 Lbs / 2.3Kg	
Physical Dimension (WxHxD)	8.84 x 3.16 x 5.50 inch 224.4 x 139.7 x 80.2 mm	7.71 x 2.50 x 4.59 inch 195.8 x 63.5 x 116.5 mm
Recommended cutout Dimension (WxH)	N/A	N/A
Environmental		
Operating Temperature	0~50°C (32~122°F)	0~50°C (32~122°F)
Storage Temperature	-20~60°C (-4~140°F)	-20~60°C (-4~140°F)
Relative Humidity	0~95%	0~95%
IP/NEMA Rating	meets IP50	meets IP50
Certification	FCC, CE, UL 508	

Ordering Information		
	MicroBox-7824B-E01-003	MicroBox-7824B-E01-003-DR
CPU	E3845 ATOM CPU	E3845 ATOM CPU
Memory	4GB DDR3	4GB DDR3
Storage	N/A	N/A
Remote Boot	ACP Enable	ACP Enable
Power Supply	110/220VAC Input	110/220VAC Input DIN-Rail
	MicroBox-7824B-E01-P03	MicroBox-7824B-E01-P03-DR
CPU	N2800 ATOM CPU	N2800 ATOM CPU
Memory	4GB DDR3	4GB DDR3
Storage	N/A	N/A
Remote Boot	PXE	PXE
Power Supply	110/220VAC Input	110/220VAC Input DIN-Rail
	MicroBox-7824B-E02-003	MicroBox-7824B-E02-003-DR
CPU	E3845 ATOM CPU	E3845 ATOM CPU
Memory	4GB DDR3	4GB DDR3
Storage	N/A	N/A
Remote Boot	ACP Enable	ACP Enable
Power Supply	110/220VAC Input	110/220VAC Input DIN-Rail
	MicroBox-7824B-E02-P03	MicroBox-7824B-E02-P03-DR
CPU	E3845 ATOM CPU	E3845 ATOM CPU
Memory	4GB DDR3	4GB DDR3
Storage	N/A	N/A
Remote Boot	PXE	PXE
Power Supply	110/220VAC Input	110/220VAC Input DIN-Rail

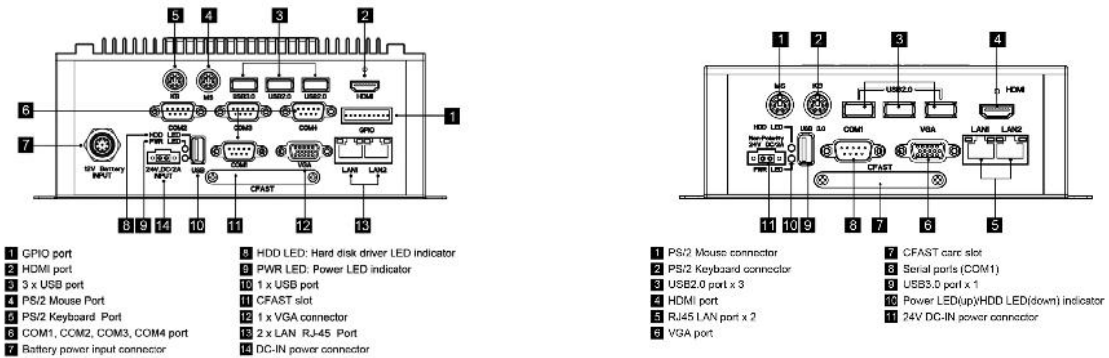
MicroBox-7824B-E01



MicroBox-7824B-E02

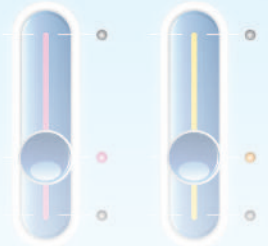
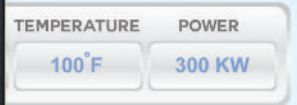
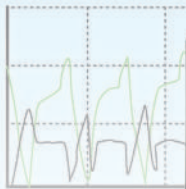
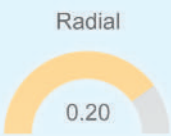
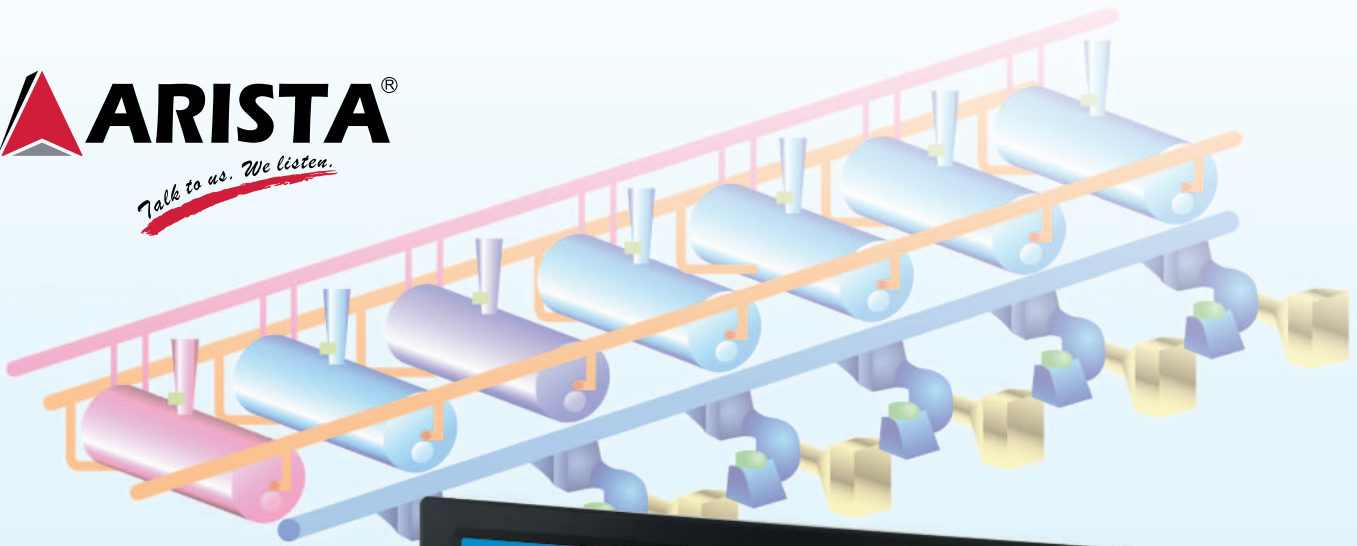


I/O Connections



MicroBox-7824B-E01

MicroBox-7824B-E02



Smart Battery



USB 3.0



CFast

ARP-3600AP-E01 Series

5-Wire Resistive Touch Panel Thin Clients



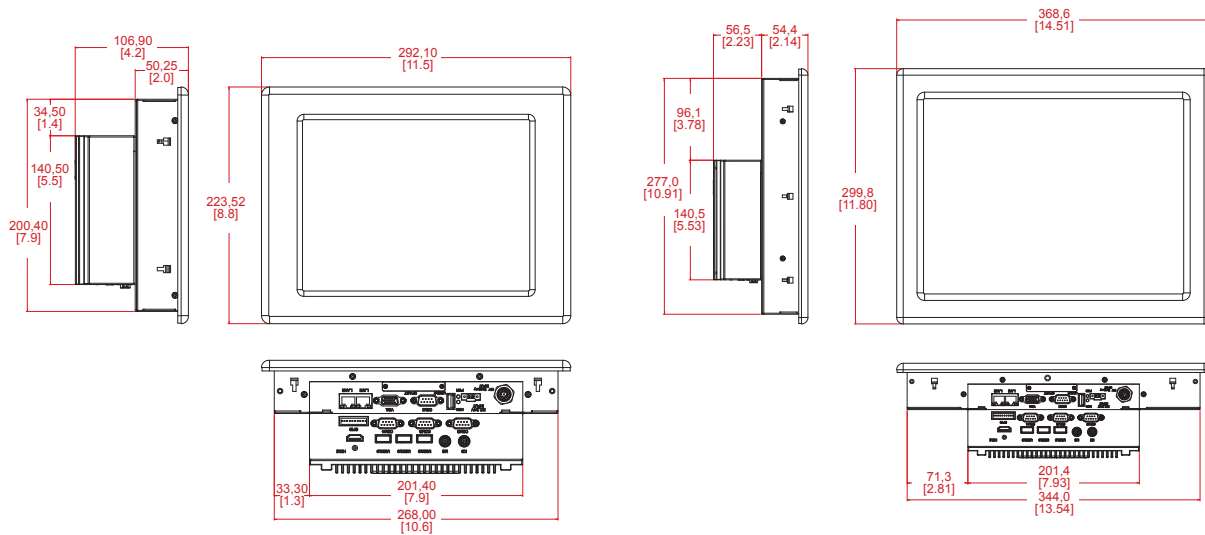
THINMANAGER

Specifications	ARP-3610AP-E01	ARP-3615AP-E01	ARP-3617AP-E01
LCD Display			
Display Size (Diagonal)	10.4 inch	15.0 inch	17.0 inch
Resolution	800 x 600	1024 x 768	1280 x 1024
Backlight Lifetime (Hours)	50,000	50,000	50,000
Visual Characteristics			
Colors	16.7 millions	16.7 millions	16.7 millions
Aspect ratio	4:3	4:3	5:4
Viewing angle (V/H)	140° / 170°	140° / 160°	140° / 160°
Response time (Typical)	12 ms	8 ms	30 ms
Pixel Pitch (mm)	0.264 x 0.264	0.264 x 0.264	0.264 x 0.264
Contrast ratio	700 : 1	700 : 1	800 : 1
Brightness	400 nits	400 nits	350 nits
Touch Screen			
Technology	5-Wire Resistive	5-Wire Resistive	5-Wire Resistive
Touch rating	35 million touches	35 million touches	35 million touches
MTBF	490,000 hours	490,000 hours	490,000 hours
Interface	USB	USB	USB
Front Bezel			
NEMA 4	Black Powder Coated	Black Powder Coated	Black Powder Coated
NEMA 4X	Stainless Steel (Optional)	Stainless Steel (Optional)	Stainless Steel (Optional)
Rack Mount Bezel	N/A	N/A	N/A
System			
CPU	Intel E3845 1.91GHz QUADCORE ATOM CPU	Intel E3845 1.91GHz QUADCORE ATOM CPU	Intel E3845 1.91GHz QUADCORE ATOM CPU
Chipset	Bay Trail	Bay Trail	Bay Trail
Memory	4GB DDR3 SO-DIMM	4GB DDR3 SO-DIMM	4GB DDR3 SO-DIMM
Video Controller	Intel Gen7 Intel Graphics DX 11, OGL3.2	Intel Gen7 Intel Graphics DX 11, OGL3.2	Intel Gen7 Intel Graphics DX 11, OGL3.2
External Video Output	VGA, or HDMI for second display	VGA, or HDMI for second display	VGA, or HDMI for second display
Storage Option	CFast Card	CFast Card	CFast Card
Compact Flash	N/A	N/A	N/A
Keyboard / Mouse	USB / PS2	USB / PS2	USB / PS2
Audio	N/A	N/A	N/A
Watchdog Timer	Programmable 1 - 255 sec	Programmable 1 - 255 sec	Programmable 1 - 255 sec
Remote Boot	ACP, PXE	ACP, PXE	ACP, PXE
I/O Communication			
USB Port	1 x USB 3.0, 3 x USB 2.0	1 x USB 3.0, 3 x USB 2.0	1 x USB 3.0, 3 x USB 2.0
Serial Port	1 x RS-232/422/485, 3x RS-232	1 x RS-232/422/485, 3x RS-232	1 x RS-232/422/485, 3x RS-232
LAN	2 x Gigabit	2 x Gigabit	2 x Gigabit
Parallel	N/A	N/A	N/A
GPIO	4 x DI, 4 x DO	4 x DI, 4 x DO	4 x DI, 4 x DO
Smart Battery			
External Smart Battery	N/A	N/A	N/A
ThinManager Support			
ThinManager Support	ThinManager 6 & Up	ThinManager 6 & Up	ThinManager 6 & Up
Power / Thermal Specs			
Power Requirement (Max)	24VDC / 1.25A	24VDC / 1.3A	24VDC / 1.8A
Power Consumption (Max)	30 W	32 W	43 W
Recommended Power Supply	43 W	45 W	62 W
Heat Dissipation	103 BTU/hr	108 BTU/hr	147 BTU/hr
Physical Information			
Mounting	Panel Mount	Panel Mount	Panel Mount
Net Weight	8 lbs / 3.63 kg	12 lbs / 5.44 kg	15 lbs / 6.80 kg
Physical Dimension (WxHxD)	11.50 x 8.80 x 4.20 inch 292.1 x 223.5 x 106.9 mm	14.51 x 11.80 x 4.37 inch 368.6 x 299.8 x 110.9 mm	15.88 x 13.34 x 4.58 inch 403.4 x 338.8 x 116.3 mm
Recommended Cutout Dimension (WxH)	10.80 x 8.10 inch 273.0 x 205.4 mm	13.74 x 11.11 inch 349.0 x 282.0 mm	15.06 x 12.64 inch 382.5 x 321.0 mm
Environmental			
Operating Temp	0~50°C (32~122°F)	0~50°C (32~122°F)	0~50°C (32~122°F)
Storage Temp	-20~60°C (-4~140°F)	-20~60°C (-4~140°F)	-20~60°C (-4~140°F)
Relative Humidity	0~95%	0~95%	0~95%
Rating	Bezel meets NEMA 4/4X requirement	Bezel meets NEMA 4/4X requirement	Bezel meets NEMA 4/4X requirement
Certification			

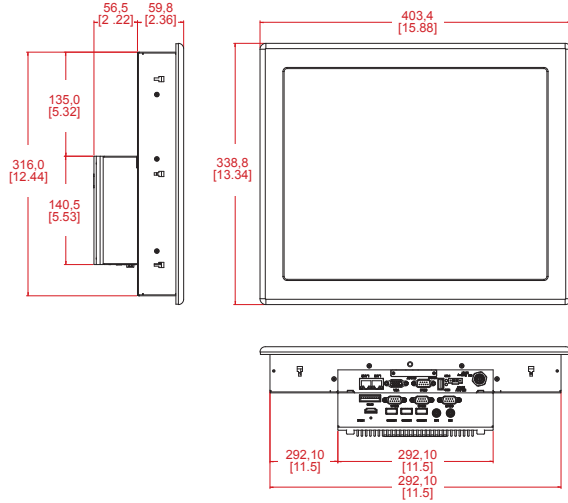
Specifications	ARP-3619AP-E01	ARP-3621AP-E01	ARP-3624AP-E01
LCD Display			
Display Size (Diagonal)	19.0 inch	21.5 inch	24 inch
Resolution	1280 x 1024	1920 x 1080	1920 x 1080
Backlight Lifetime (Hours)	50,000	50,000	50,000
Visual Characteristics			
Colors	16.7 millions	16.7 millions	16.7 millions
Aspect ratio	5:4	16:9	16:9
Viewing angle (V/H)	160° / 170°	178° / 178°	178° / 178°
Response time (Typical)	5 ms	14 ms	12 ms
Pixel Pitch (mm)	0.294 x 0.294	0.248 x 0.248	0.276 x 0.276
Contrast ratio	1000 : 1	1000 : 1	5000 : 1
Brightness	450 nits	250 nits	250 nits
Touch Screen			
Technology	5-Wire Resistive	5-Wire Resistive	5-Wire Resistive
Touch rating	35 million touches	35 million touches	35 million touches
MTBF	490,000 hours	490,000 hours	490,000 hours
Interface	USB	USB	USB
Front Bezel			
NEMA 4	Black Powder Coated	Black Powder Coated	Black Powder Coated
NEMA 4X	Stainless Steel (Optional)	Stainless Steel (Optional)	Stainless Steel (Optional)
Rack Mount Bezel	N/A	N/A	N/A
System			
CPU	Intel E3845 1.91GHz QUADCORE ATOM CPU	Intel E3845 1.91GHz QUADCORE ATOM CPU	Intel E3845 1.91GHz QUADCORE ATOM CPU
Chipset	Bay Trail	Bay Trail	Bay Trail
Memory	4GB DDR3 SO-DIMM	4GB DDR3 SO-DIMM	4GB DDR3 SO-DIMM
Video Controller	Intel Gen7 Intel Graphics DX 11, OGL3.2	Intel Gen7 Intel Graphics DX 11, OGL3.2	Intel Gen7 Intel Graphics DX 11, OGL3.2
External Video Output	VGA, or HDMI for second display	VGA, or HDMI for second display	VGA, or HDMI for second display
Storage Option	CFast Card	CFast Card	CFast Card
Compact Flash	N/A	N/A	N/A
Keyboard / Mouse	USB / PS2	USB / PS2	USB / PS2
Audio	N/A	N/A	N/A
Watchdog Timer	Programmable 1 - 255 sec	Programmable 1 - 255 sec	Programmable 1 - 255 sec
Remote Boot	ACP, PXE	ACP, PXE	ACP, PXE
I/O Communication			
USB Port	1 x USB 3.0, 3 x USB 2.0	1 x USB 3.0, 3 x USB 2.0	1 x USB 3.0, 3 x USB 2.0
Serial Port	1 x RS-232/422/485, 3x RS-232	1 x RS-232/422/485, 3x RS-232	1 x RS-232/422/485, 3x RS-232
LAN	2 x Gigabit	2 x Gigabit	2 x Gigabit
Parallel	N/A	N/A	N/A
GPIO	4 x DI, 4 x DO	4 x DI, 4 x DO	4 x DI, 4 x DO
Smart Battery			
External Smart Battery	N/A	N/A	N/A
ThinManager Support			
ThinManager Support	ThinManager 6 & Up	ThinManager 6 & Up	ThinManager 6 & Up
Power / Thermal Specs			
Power Requirement (Max)	24VDC / 1.8A	24VDC / 1.8A	24VDC / 2.5A
Power Consumption (Max)	43 W	43 W	60 W
Recommended Power Supply	62 W	62 W	85 W
Heat Dissipation	147 BTU/hr	147 BTU/hr	203 BTU/hr
Physical Information			
Mounting	Panel Mount	Panel Mount	Panel Mount
Net Weight	18 lbs / 8.16 kg	20 Lbs / 9.07 Kg	23 Lbs / 10.43 Kg
Physical Dimension (WxHxD)	17.80 x 14.60 x 4.86 inch 452.1 x 370.8 x 123.6 mm	20.98 x 12.99 x 4.57 inch 533.0 x 330.0 x 116.3	23.91 x 14.50 x 4.51 inch 607.3 x 368.3 x 114.6 mm
Recommended Cutout Dimension (WxH)	17.01 x 13.81 inch 432.0 x 350.6 mm	19.92 x 12.35 inch 506.0 x 313.7 mm	23.22 x 13.81 inch 589.8 x 350.7 mm
Environmental			
Operating Temp	0~50°C (32~122°F)	0~50°C (32~122°F)	0~50°C (32~122°F)
Storage Temp	-20~60°C (-4~140°F)	-20~60°C (-4~140°F)	-20~60°C (-4~140°F)
Relative Humidity	0~95%	0~95%	0~95%
Rating	Bezel meets NEMA 4/4X requirement	Bezel meets NEMA 4/4X requirement	Bezel meets NEMA 4/4X requirement
Certification			

Ordering Information				
	ARP-36XXAP-E01-003	ARP-36XXAP-E01-007	ARP-36XXAP-E01-P03	ARP-36XXAP-E01-P07
LCD Display	Standard	Standard	Standard	Standard
Touch Screen	5-Wire	5-Wire	5-Wire	5-Wire
Bezel	Black Powder Coated	Stainless Steel	Black Powder Coated	Stainless Steel
CPU	E3845 ATOM CPU	E3845 ATOM CPU	E3845 ATOM CPU	E3845 ATOM CPU
Memory	4GB DDR3	4GB DDR3	4GB DDR3	4GB DDR3
Storage	N/A	N/A	N/A	N/A
Remote Boot	ACP Enable	ACP Enable	PXE	PXE
Power Supply	110/220VAC Input DIN-Rail	110/220VAC Input DIN-Rail	110/220VAC Input DIN-Rail	110/220VAC Input DIN-Rail

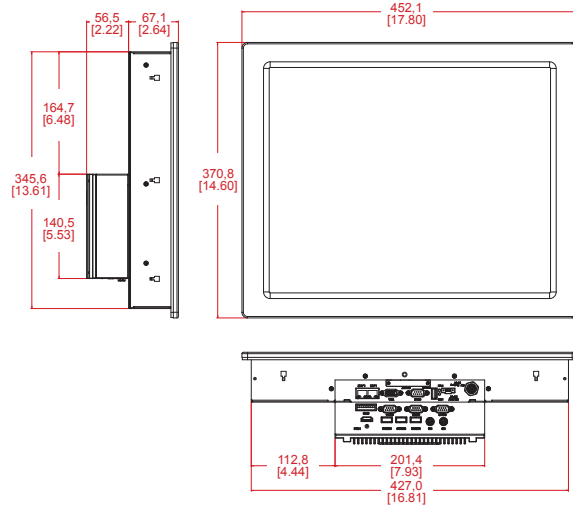
ARP-3610AP-E01	ARP-3615AP-E01
----------------	----------------



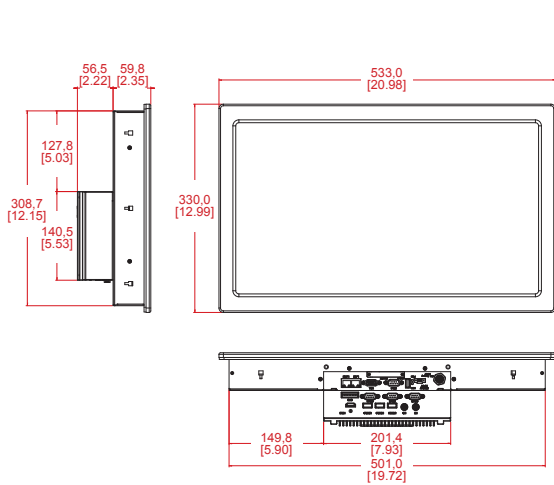
ARP-3617AP-E01



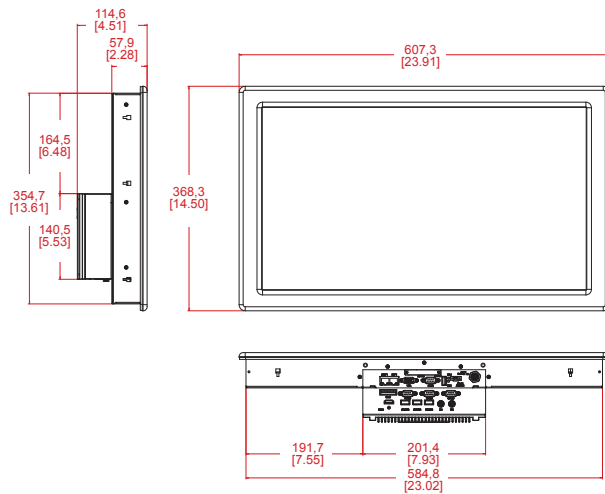
ARP-3619AP-E01



ARP-3621AP-E01



ARP-3624AP-E01



ARISTA[®]

Talk to us. We listen.



21.5"

19"

17"

15"

10.4"



Smart Battery



USB 3.0



CFast

ARP-3700AP-E01 Series

Flush Bezel Resistive Touch Panel Thin Clients



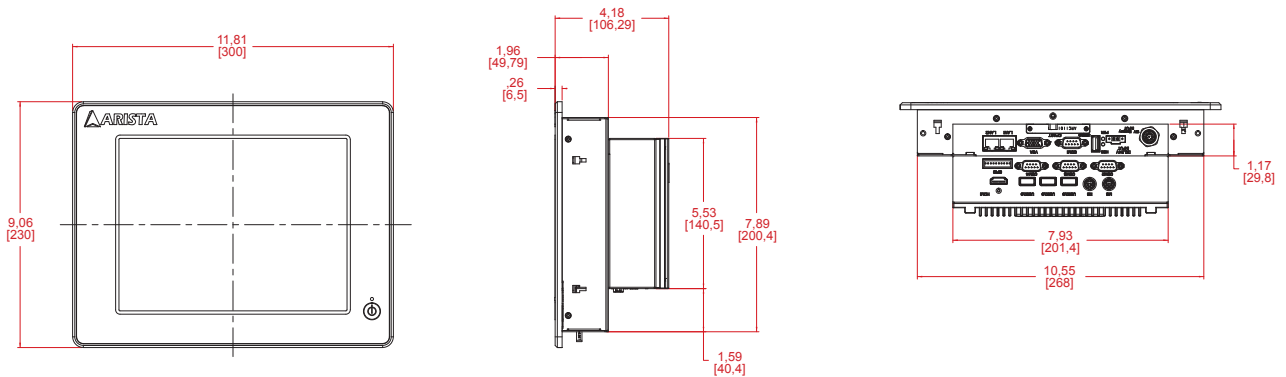
THINMANAGER

Specifications	ARP-3710AP-E01	ARP-3715AP-E01	ARP-3717AP-E01
LCD Display			
Display Size (Diagonal)	10.4 inch	15.0 inch	17.0 inch
Resolution	800 x 600	1024 x 768	1280 x 1024
Backlight Lifetime (Hours)	50,000	50,000	50,000
Visual Characteristics			
Colors	16.7 millions	16.7 millions	16.7 millions
Aspect ratio	4:3	4:3	5:4
Viewing angle (V/H)	140° / 170°	140° / 160°	140° / 160°
Response time (Typical)	12 ms	8 ms	30 ms
Pixel Pitch (mm)	0.264 x 0.264	0.264 x 0.264	0.264 x 0.264
Contrast ratio	700 : 1	700 : 1	800 : 1
Brightness	400 nits	300 nits	350 nits
Touch Screen			
Technology	5-Wire Resistive	5-Wire Resistive	5-Wire Resistive
Touch rating	35 million touches	35 million touches	35 million touches
MTBF	490,000 hours	490,000 hours	490,000 hours
Interface	USB	USB	USB
Front Bezel			
NEMA 4	Aluminum (Optional)	Aluminum (Optional)	Aluminum (Optional)
NEMA 4X	316 Stainless Steel	316 Stainless Steel	316 Stainless Steel
Rack Mount Bezel	N/A	N/A	N/A
System			
CPU	Intel E3845 1.91GHz QUADCORE ATOM CPU	Intel E3845 1.91GHz QUADCORE ATOM CPU	Intel E3845 1.91GHz QUADCORE ATOM CPU
Chipset	Bay Trail	Bay Trail	Bay Trail
Memory	4GB DDR3 SO-DIMM	4GB DDR3 SO-DIMM	4GB DDR3 SO-DIMM
Video Controller	Intel Gen7 Intel Graphics DX 11, OGL3.2	Intel Gen7 Intel Graphics DX 11, OGL3.2	Intel Gen7 Intel Graphics DX 11, OGL3.2
External Video Output	VGA, HDMI	VGA, HDMI	VGA, HDMI
Storage Option	CFast Card	CFast Card	CFast Card
Compact Flash	N/A	N/A	N/A
Keyboard / Mouse	USB / PS2	USB / PS2	USB / PS2
Audio	N/A	N/A	N/A
Watchdog Timer	Programmable 1 - 255 sec	Programmable 1 - 255 sec	Programmable 1 - 255 sec
Remote Boot	ACP, PXE	ACP, PXE	ACP, PXE
I/O Communication			
USB Port	1 x USB 3.0, 3 x USB 2.0	1 x USB 3.0, 3 x USB 2.0	1 x USB 3.0, 3 x USB 2.0
Serial Port	1 x RS-232/422/485, 3x RS-232	1 x RS-232/422/485, 3x RS-232	1 x RS-232/422/485, 3x RS-232
LAN	2 x Gigabit	2 x Gigabit	2 x Gigabit
Parallel	N/A	N/A	N/A
GPIO	4 x DI, 4 x DO	4 x DI, 4 x DO	4 x DI, 4 x DO
Smart Battery			
External Smart Battery	N/A	N/A	N/A
ThinManager Support			
ThinManager Support	ThinManager 6 & Up	ThinManager 6 & Up	ThinManager 6 & Up
Power / Thermal Specs			
Power Requirement (Max)	24VDC / 1.25A	24VDC / 1.3A	24VDC / 1.8A
Power Consumption (Max)	30 W	32 W	43 W
Recommended Power Supply	43 W	45 W	62 W
Heat Dissipation	103 BTU/hr	108 BTU/hr	147 BTU/hr
Physical Information			
Mounting	Panel Mount	Panel Mount	Panel Mount
Net Weight	8 lbs / 3.63 kg	12 lbs / 5.44 kg	15 lbs / 6.80 kg
Physical Dimension (WxHxD)	11.81 x 9.06 x 4.18 inch 300.0 x 230.0 x 106.3 mm	15.35 x 12.20 x 4.31 inch 390.0 x 310.0 x 109.5 mm	17.69 x 13.94 x 4.48 inch 449.4 x 354.0 x 113.8 mm
Recommended Cutout Dimension (WxH)	10.75 x 8.09 inch 273.0 x 205.4 mm	14.33 x 11.11 inch 364.0 x 282.0 mm	16.11 x 12.37 inch 409.0 x 314.0 mm
Environmental			
Operating Temperature	0~50°C (32~122°F)	0~50°C (32~122°F)	0~50°C (32~122°F)
Storage Temperature	-20~60°C (-4~140°F)	-20~60°C (-4~140°F)	-20~60°C (-4~140°F)
Relative Humidity	0~95%	0~95%	0~95%
IP/NEMA Rating	Bezel meets NEMA 4/4X requirement	Bezel meets NEMA 4/4X requirement	Bezel meets NEMA 4/4X requirement
Certification	N/A	N/A	N/A

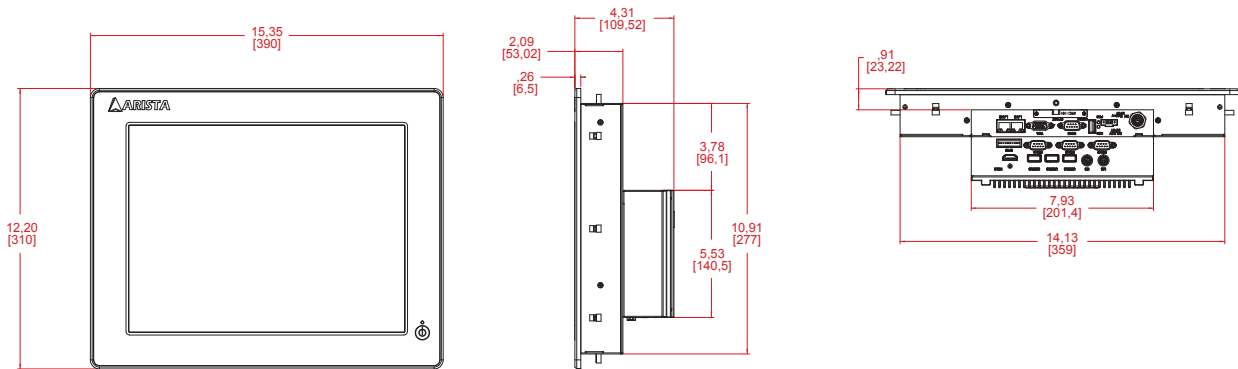
Specifications	ARP-3719AP-E01	ARP-3721AP-E01	
LCD Display			
Display Size (Diagonal)	19.0 inch	21.5 inch	
Resolution	1280 x 1024	1920 x 1080	
Backlight Lifetime (Hours)	50,000	50,000	
Visual Characteristics			
Colors	16.7 millions	16.7 millions	
Aspect ratio	5:4	16:9	
Viewing angle (V/H)	160° / 170°	178° / 178°	
Response time (Typical)	5 ms	14 ms	
Pixel Pitch (mm)	0.294 x 0.294	0.248 x 0.248	
Contrast ratio	1000 : 1	1000 : 1	
Brightness	450 nits	250 nits	
Touch Screen			
Technology	5-Wire Resistive	5-Wire Resistive	
Touch rating	35 million touches	35 million touches	
MTBF	490,000 hours	490,000 hours	
Interface	USB	USB	
Front Bezel			
NEMA 4	Aluminum (Optional)	Aluminum (Optional)	
NEMA 4X	316 Stainless Steel	316 Stainless Steel	
Rack Mount Bezel	N/A	N/A	
System			
CPU	Intel E3845 1.91GHz QUADCORE ATOM CPU	Intel E3845 1.91GHz QUADCORE ATOM CPU	
Chipset	Bay Trail	Bay Trail	
Memory	4GB DDR3 SO-DIMM	4GB DDR3 SO-DIMM	
Video Controller	Intel Gen7 Intel Graphics DX 11, OGL3.2	Intel Gen7 Intel Graphics DX 11, OGL3.2	
External Video Output	VGA, HDMI	VGA, HDMI	
Storage Option	CFast Card	CFast Card	
Compact Flash	N/A	N/A	
Keyboard / Mouse	USB / PS2	USB / PS2	
Audio	N/A	N/A	
Watchdog Timer	Programmable 1 - 255 sec	Programmable 1 - 255 sec	
Remote Boot	ACP, PXE	ACP, PXE	
I/O Communication			
USB Port	1 x USB 3.0, 3 x USB 2.0	1 x USB 3.0, 3 x USB 2.0	
Serial Port	1 x RS-232/422/485, 3x RS-232	1 x RS-232/422/485, 3x RS-232	
LAN	2 x Gigabit	2 x Gigabit	
Parallel	N/A	N/A	
GPIO	4 x DI, 4 x DO	4 x DI, 4 x DO	
Smart Battery			
External Smart Battery	N/A	N/A	
ThinManager Support			
ThinManager Support	ThinManager 6 & Up	ThinManager 6 & Up	
Power / Thermal Specs			
Power Requirement (Max)	24VDC / 1.8A	24VDC / 1.8A	
Power Consumption (Max)	43 W	43 W	
Recommended Power Supply	62 W	62 W	
Heat Dissipation	147 BTU/hr	147 BTU/hr	
Physical Information			
Mounting	Panel Mount	Panel Mount	
Net Weight	18 lbs / 8.16 kg	20 Lbs / 9.07 Kg	
Physical Dimension (WxHxD)	18.15 x 15.16 x 4.39 inch 461.0 x 385.0 x 111.4 mm	22.18 x 13.47 x 4.41 inch 563.4 x 342.2 x 111.9 mm	
Recommended Cutout Dimension (WxH)	16.56 x 14.11 inch 420.6 x 358.4 mm	21.22 x 12.51 inch 539.0 x 317.6 mm	
Environmental			
Operating Temperature	0~50°C (32~122°F)	0~50°C (32~122°F)	
Storage Temperature	-20~60°C (-4~140°F)	-20~60°C (-4~140°F)	
Relative Humidity	0~95%	0~95%	
IP/NEMA Rating	Bezel meets NEMA 4/4X requirement	Bezel meets NEMA 4/4X requirement	
Certification	N/A	N/A	

Ordering Information				
	ARP-37XXAP-E01-003	ARP-37XXAP-E01-007	ARP-37XXAP-E01-P03	ARP-37XXAP-E01-P07
LCD Display	Standard	Standard	Standard	Standard
Touch Screen	5-Wire	5-Wire	5-Wire	5-Wire
Bezel	Aluminum	Stainless Steel	Aluminum	Stainless Steel
CPU	E3845 ATOM CPU	E3845 ATOM CPU	E3845 ATOM CPU	E3845 ATOM CPU
Memory	4GB DDR3	4GB DDR3	4GB DDR3	4GB DDR3
Storage	N/A	N/A	N/A	N/A
Remote Boot	ACP Enable	ACP Enable	PXE	PXE
Power Supply	110/220VAC Input DIN-Rail	110/220VAC Input DIN-Rail	110/220VAC Input DIN-Rail	110/220VAC Input DIN-Rail

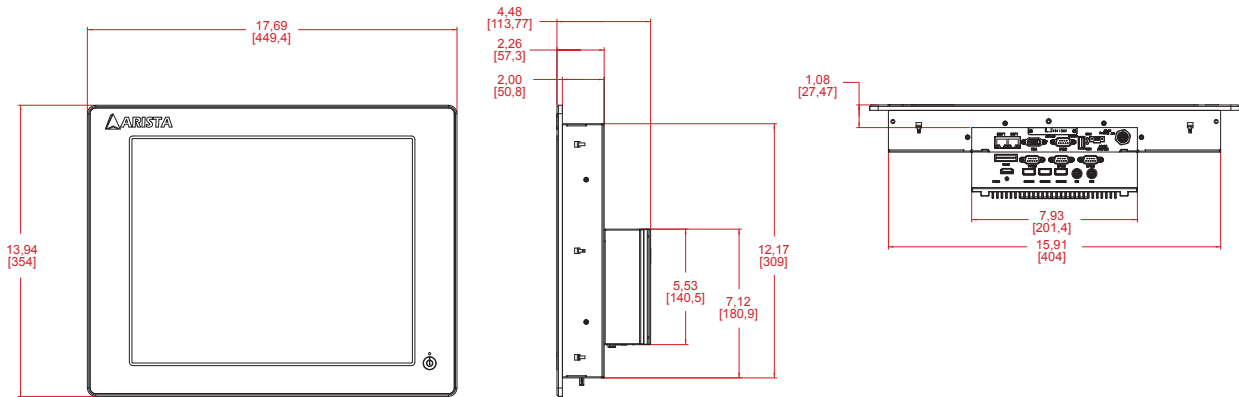
ARP-3710AP-E01



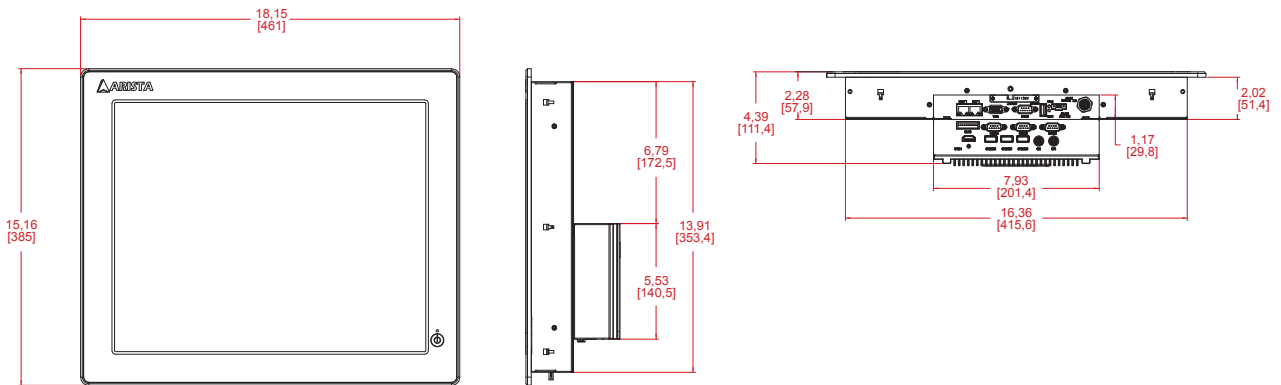
ARP-3715AP-E01



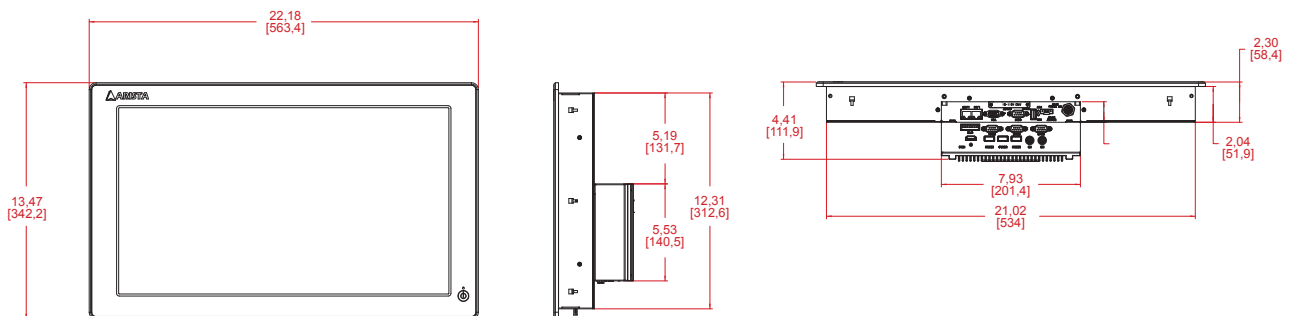
ARP-3717AP-E01



ARP-3719AP-E01



ARP-3721AP-E01





Smart Battery



USB 3.0



CFast

ARP-3800AP-E01 Series

Multi-Touch Touch Panel Computers



THINMANAGER

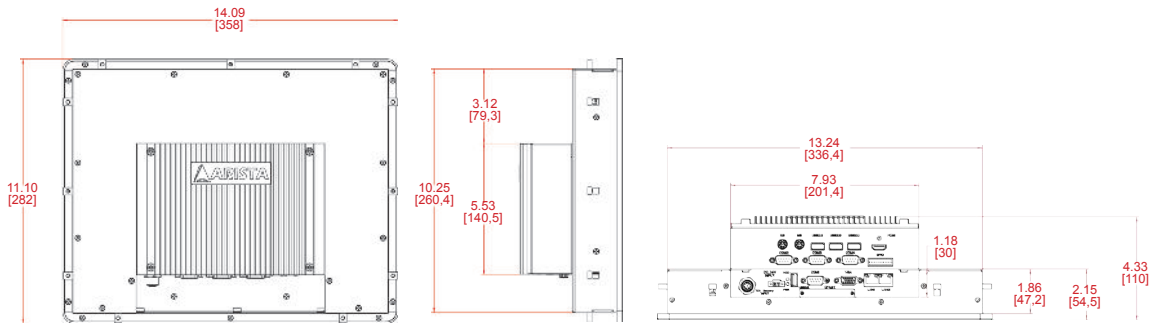
Specifications	ARP-3815AP-E01	ARP-3817AP-E01	ARP-3819AP-E01
LCD Display			
Display Size (Diagonal)	15.0 inch	17.0 inch	19.0 inch
Resolution	1024 x 768	1280 x 1024	1280 x 1024
Backlight Lifetime (Hours)	50,000	50,000	50,000
Visual Characteristics			
Colors	16.7 millions	16.7 millions	16.7 millions
Aspect ratio	4:3	5:4	5:4
Viewing angle (V/H)	140° / 160°	140° / 160°	160° / 170°
Response time (Typical)	8 ms	30 ms	5 ms
Pixel Pitch (mm)	0.297 x 0.297	0.264 x 0.264	0.294 x 0.294
Contrast ratio	700 : 1	800 : 1	1000 : 1
Brightness	300 nits	350 nits	450 nits
Touch Screen			
Technology	Projected Capacitive	Projected Capacitive	Projected Capacitive
Touch rating	50 million touches	50 million touches	50 million touches
Interface	USB	USB	USB
Front Bezel			
NEMA 4	Aluminum	Aluminum	Aluminum
NEMA 4X	Stainless Steel (Optional)	Stainless Steel (Optional)	Stainless Steel (Optional)
Rack Mount Bezel	N/A	N/A	N/A
System			
CPU	Intel E3845 1.91GHz Quad Core ATOM CPU	Intel E3845 1.91GHz Quad Core ATOM CPU	Intel E3845 1.91GHz Quad Core ATOM CPU
Chipset	Bay Trail	Bay Trail	Bay Trail
Memory	4GB DDR3 SO-DIMM	4GB DDR3 SO-DIMM	4GB DDR3 SO-DIMM
Video Controller	Intel Gen7 Intel Graphics DX 11, OGL3.2	Intel Gen7 Intel Graphics DX 11, OGL3.2	Intel Gen7 Intel Graphics DX 11, OGL3.2
External Video Output	VGA, HDMI	VGA, HDMI	VGA, HDMI
Storage Option	CFast Card	CFast Card	CFast Card
Compact Flash	N/A	N/A	N/A
Keyboard / Mouse	USB / PS2	USB / PS2	USB / PS2
Audio	N/A	N/A	N/A
Watchdog Timer	Programmable 1 - 255 sec	Programmable 1 - 255 sec	Programmable 1 - 255 sec
Remote Boot	ACP, PXE	ACP, PXE	ACP, PXE
I/O Communication			
USB Port	1 x USB 3.0, 3 x USB 2.0	1 x USB 3.0, 3 x USB 2.0	1 x USB 3.0, 3 x USB 2.0
Serial Port	1 x RS-232/422/485, 3x RS-232	1 x RS-232/422/485, 3x RS-232	1 x RS-232/422/485, 3x RS-232
LAN	2 x Gigabit	2 x Gigabit	2 x Gigabit
Parallel	N/A	N/A	N/A
GPIO	4 x DI, 4 x DO	4 x DI, 4 x DO	4 x DI, 4 x DO
Smart Battery			
External Smart Battery	N/A	N/A	N/A
ThinManager Support			
ThinManager Support	ThinManager 6 & Up	ThinManager 6 & Up	ThinManager 6 & Up
Power / Thermal Specs			
Power Requirement (Max)	24VDC / 1.3A	24VDC / 1.8A	24VDC / 1.8A
Power Consumption (Max)	32 W	43 W	43 W
Recommended Power Supply	45 W	62 W	62 W
Heat Dissipation	108 BTU/hr	147 BTU/hr	147 BTU/hr
Physical Information			
Mounting	Panel Mount	Panel Mount	Panel Mount
Net Weight	12 lbs / 5.44 kg	15 lbs / 6.80 kg	18 lbs / 8.16 kg
Physical Dimension	14.09 x 11.10 x 4.33 inch 358.0 x 282.0 x 110.0 mm	15.43 x 12.76 x 4.40 inch 392.0 x 324.0 x 111.7 mm	16.58 x 13.90 x 4.46 inch 428.0 x 353.0 x 113.2 mm
Recommended Cutout Dimension (WxH)	13.44 x 10.45 inch 341.4 x 265.4 mm	14.78 x 12.11 inch 375.4 x 307.4 mm	16.20 x 13.25 inch 411.4 x 336.4 mm
Environmental			
Operating Temperature	0~50°C (32~122°F)	0~50°C (32~122°F)	0~50°C (32~122°F)
Storage Temperature	-20~60°C (-4~140°F)	-20~60°C (-4~140°F)	-20~60°C (-4~140°F)
Relative Humidity	0~95%	0~95%	0~95%
IP/NEMA Rating	Bezel meets NEMA 4/4X requirement	Bezel meets NEMA 4/4X requirement	Bezel meets NEMA 4/4X requirement
Certification			

Specifications	ARP-3821AP-E01	ARP-3824AP-E01	
LCD Display			
Display Size (Diagonal)	21.5 inch	24 inch	
Resolution	1920 x 1080	1920 x 1080	
Backlight Lifetime (Hours)	50,000	50,000	
Visual Characteristics			
Colors	16.7 millions	16.7 millions	
Aspect ratio	16:9	16:9	
Viewing angle (V/H)	178° / 178°	178° / 178°	
Response time (Typical)	14 ms	25 ms	
Pixel Pitch (mm)	0.248 x 0.248	0.276 x 0.76	
Contrast ratio	1000 : 1	5000 : 1	
Brightness	250 nits	250 nits	
Touch Screen			
Technology	Projected Capacitive	Projected Capacitive	
Touch rating	50 million touches	50 million touches	
Interface	USB	USB	
Front Bezel			
NEMA 4	Aluminum	Aluminum	
NEMA 4X	Stainless Steel (Optional)	Stainless Steel (Optional)	
Rack Mount Bezel	N/A	N/A	
System			
CPU	Intel E3845 1.91GHz Quad Core ATOM CPU	Intel E3845 1.91GHz Quad Core ATOM CPU	
Chipset	Bay Trail	Bay Trail	
Memory	4GB DDR3 SO-DIMM	4GB DDR3 SO-DIMM	
Video Controller	Intel Gen7 Intel Graphics DX 11, OGL3.2	Intel Gen7 Intel Graphics DX 11, OGL3.2	
External Video Output	VGA, HDMI	VGA, HDMI	
Storage Option	CFast Card	CFast Card	
Compact Flash	N/A	N/A	
Keyboard / Mouse	USB / PS2	USB / PS2	
Audio	N/A	N/A	
Watchdog Timer	Programmable 1 - 255 sec	Programmable 1 - 255 sec	
Remote Boot	ACP, PXE	ACP, PXE	
I/O Communication			
USB Port	1 x USB 3.0, 3 x USB 2.0	1 x USB 3.0, 3 x USB 2.0	
Serial Port	1 x RS-232/422/485, 3x RS-232	1 x RS-232/422/485, 3x RS-232	
LAN	2 x Gigabit	2 x Gigabit	
Parallel	N/A	N/A	
GPIO	4 x DI, 4 x DO	4 x DI, 4 x DO	
Smart Battery			
External Smart Battery	N/A	N/A	
ThinManager Support			
ThinManager Support	ThinManager 6 & Up	ThinManager 6 & Up	
Power / Thermal Specs			
Power Requirement (Max)	24VDC / 1.8A	24VDC / 2.5A	
Power Consumption (Max)	43 W	60 W	
Recommended Power Supply	62 W	85 W	
Heat Dissipation	147 BTU/hr	203 BTU/hr	
Physical Information			
Mounting	Panel Mount	Panel Mount	
Net Weight	20 Lbs / 9.07 Kg	23 Lbs / 10.43 Kg	
Physical Dimension	20.91 x 12.94 x 4.46 inch 531.0 x 328.8 x 113.3 mm	22.98 x 14.44 x 4.34 inch 583.7 x 366.7 x 110.2 mm	
Recommended Cutout Dimension (WxH)	20.09 x 12.13 inch 510.2 x 308.0 mm	22.33 x 13.79 inch 567.1 x 350.1 mm	
Environmental			
Operating Temperature	0~50°C (32~122°F)	0~50°C (32~122°F)	
Storage Temperature	-20~60°C (-4~140°F)	-20~60°C (-4~140°F)	
Relative Humidity	0~95%	0~95%	
IP/NEMA Rating	Bezel meets NEMA 4/4X requirement	Bezel meets NEMA 4/4X requirement	
Certification			

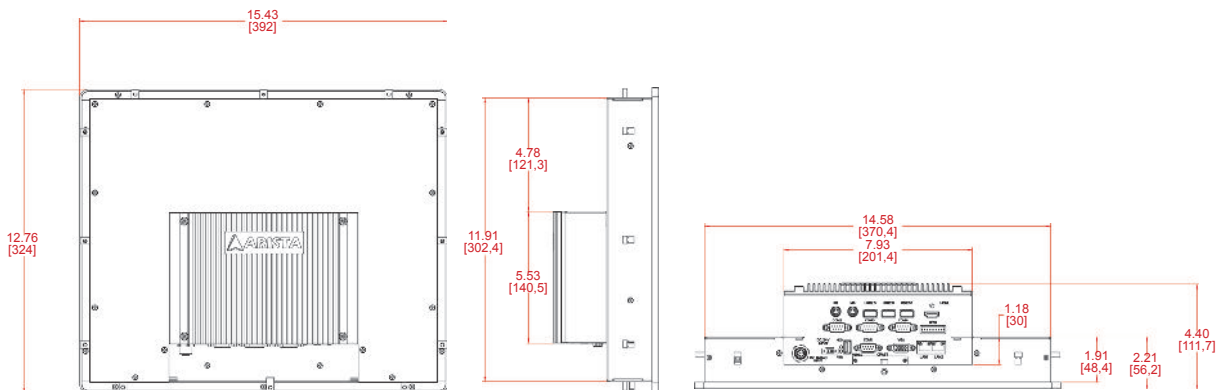
Ordering Information

	ARP-38XXAP-E01-003	ARP-38XXAP-E01-007	ARP-38XXAP-E01-P03	ARP-38XXAP-E01-P07
LCD Display	Standard	Standard	Standard	Standard
Touch Screen	Projected Capacitive	Projected Capacitive	Projected Capacitive	Projected Capacitive
Bezel	Aluminum	Stainless Steel	Aluminum	Stainless Steel
CPU	E3845 ATOM CPU	E3845 ATOM CPU	E3845 ATOM CPU	E3845 ATOM CPU
Memory	4GB DDR3	4GB DDR3	4GB DDR3	4GB DDR3
Storage	N/A	N/A	N/A	N/A
Remote Boot	ACP Enable	ACP Enable	PXE	PXE
Power Supply	110/220VAC Input DIN-Rail	110/220VAC Input DIN-Rail	110/220VAC Input DIN-Rail	110/220VAC Input DIN-Rail

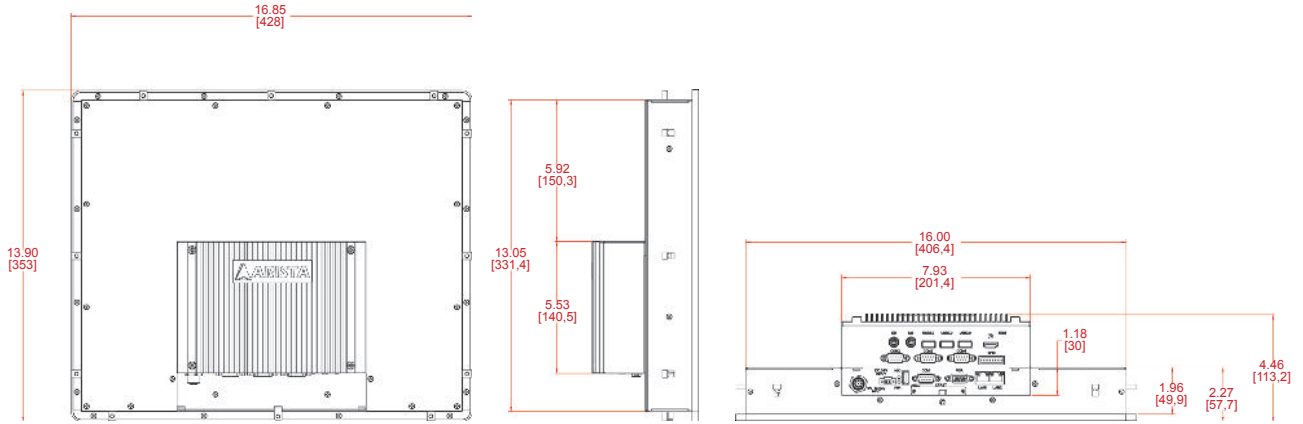
ARP-3815AP-E01



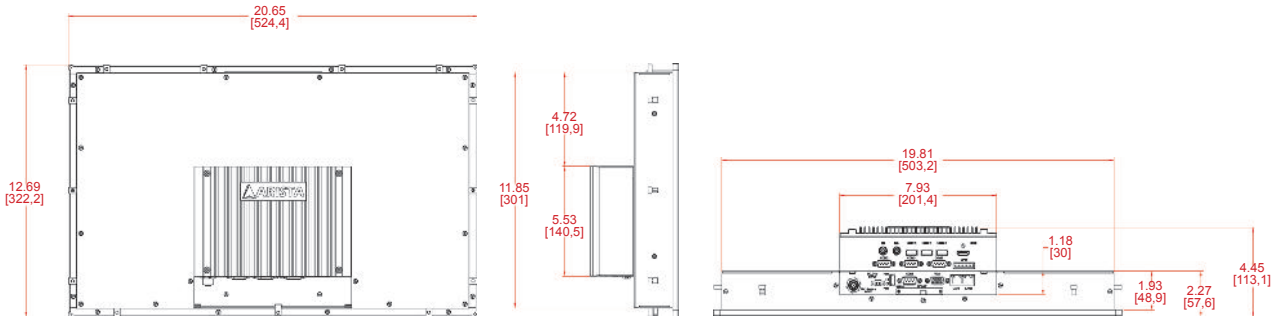
ARP-3817AP-E01



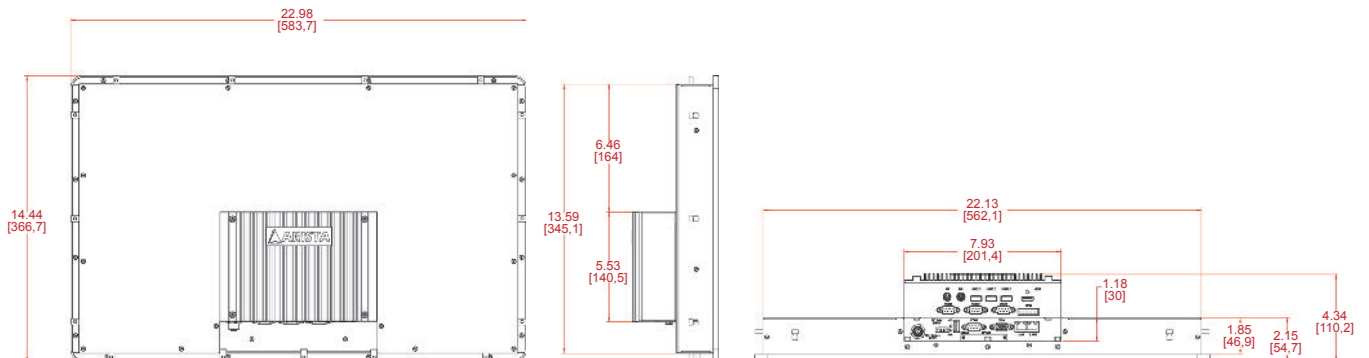
ARP-3819AP-E01



ARP-3821AP-E01



ARP-3824AP-E01





Smart Battery



USB 3.0



CFast

ARP-2200AP Series

Class 1 Div. 2 Hazardous Location Touch Panel Thin Clients

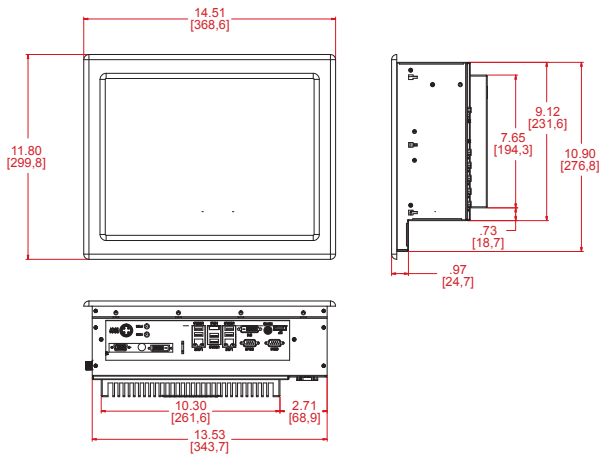


THINMANAGER

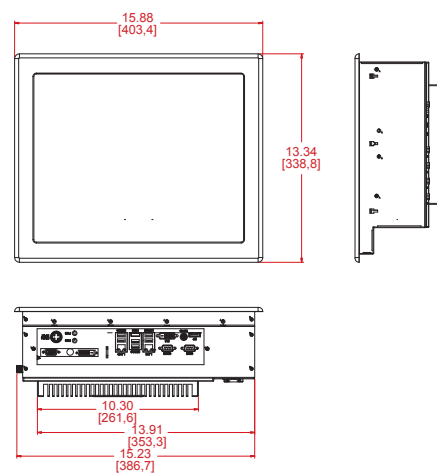
Specifications	ARP-2215AP-G01	ARP-2217AP-G01	ARP-2219AP-G01	ARP-2221AP-G01
LCD Display				
Display Size (Diagonal)	15.0 inch	17.0 inch	19.0 inch	21.5 inch
Resolution	1024 x 768	1280 x 1024	1280 x 1024	1920 x 1080
Backlight Lifetime (Hours)	50,000	50,000	50,000	50,000
Visual Characteristics				
Colors	16.7 millions	16.7 millions	16.7 millions	16.7 millions
Aspect ratio	4:3	5:4	5:4	16:9
Viewing angle (V/H)	140° / 160°	140° / 160°	160° / 170°	178° / 178°
Response time (Typical)	8 ms	30 ms	5 ms	14 ms
Pixel Pitch (mm)	0.264 x 0.264	0.264 x 0.264	0.294 x 0.294	0.248 x 0.248
Contrast ratio	700 : 1	800 : 1	1000 : 1	1000 : 1
Brightness	300 nits	350 nits	450 nits	250 nits
Touch Screen				
Technology	5-Wire Resistive	5-Wire Resistive	5-Wire Resistive	5-Wire Resistive
Touch rating	35 million touches	35 million touches	35 million touches	35 million touches
MTBF	490,000 hours	490,000 hours	490,000 hours	490,000 hours
Interface	USB	USB	USB	USB
Front Bezel				
NEMA 4	Black Powder Coated	Black Powder Coated	Black Powder Coated	Black Powder Coated
NEMA 4X	Stainless Steel (Optional)	Stainless Steel (Optional)	Stainless Steel (Optional)	Stainless Steel (Optional)
Rack Mount Bezel	N/A	N/A	N/A	N/A
System				
CPU	Intel i5 mobile Processor	Intel i5 mobile Processor	Intel i5 mobile Processor	Intel i5 mobile Processor
Chipset	Intel QM77	Intel QM77	Intel QM77	Intel QM77
Memory	8GB DDR3	8GB DDR3	8GB DDR3	8GB DDR3
Video Controller	Intel HD Graphics 4000	Intel HD Graphics 4000	Intel HD Graphics 4000	Intel HD Graphics 4000
External Video Output	DVI, HDMI, or Display Port for second display	DVI, HDMI, or Display Port for second display	DVI, HDMI, or Display Port for second display	DVI, HDMI, or Display Port for second display
Storage Option	N/A	N/A	N/A	N/A
Compact Flash	N/A	N/A	N/A	N/A
Keyboard / Mouse	1 x PS / 2 connector	1 x PS / 2 connector	1 x PS / 2 connector	1 x PS / 2 connector
Audio	Line in, Line Out, Mic-In	Line in, Line Out, Mic-In	Line in, Line Out, Mic-In	Line in, Line Out, Mic-In
Watchdog Timer	Programmable 1 - 255 sec	Programmable 1 - 255 sec	Programmable 1 - 255 sec	Programmable 1 - 255 sec
Remote Boot	ACP, PXE	ACP, PXE	ACP, PXE	ACP, PXE
I/O Communication				
USB Port	4 x USB 2.0, 2 x USB 3.0	4 x USB 2.0, 2 x USB 3.0	4 x USB 2.0, 2 x USB 3.0	4 x USB 2.0, 2 x USB 3.0
Serial Port	2 x RS-232/422/485	2 x RS-232/422/485	2 x RS-232/422/485	2 x RS-232/422/485
LAN	Dual Gigabit LAN	Dual Gigabit LAN	Dual Gigabit LAN	Dual Gigabit LAN
Parallel	N/A	N/A	N/A	N/A
GPIO	N/A	N/A	N/A	N/A
Smart Battery				
External Smart Battery	N/A	N/A	N/A	N/A
ThinManager Support				
ThinManager Support	ThinManager 7 & Up	ThinManager 7 & Up	ThinManager 7 & Up	ThinManager 7 & Up
Power / Thermal Specs				
Power Requirement (Max)	24VDC / 3.54A	24VDC / 3.04A	24VDC / 3.18A	24VDC / 3.96A
Power Consumption (Max)	85 W	73 W	77 W	95 W
Recommended Power Supply	122 W	105 W	109 W	136 W
Heat Dissipation	290 BTU/hr	250 BTU/hr	261 BTU/hr	325 BTU/hr
Physical Information				
Mounting	Panel Mount	Panel Mount	Panel Mount	Panel Mount
Net Weight	19 Lbs / 8 Kg	21 Lbs / 9 Kg	25 Lbs / 11 Kg	27 lbs / 12.25 kg
Physical Dimension (WxHxD)	14.51 x 11.80 x 5.51 inch 368.6 x 299.8 x 140.0 mm	15.88 x 13.34 x 5.71 inch 403.4 x 338.8 x 144.9 mm	17.80 x 14.60 x 5.71 inch 452.1 x 370.8 x 145.0 mm	20.98 x 12.99 x 5.78 inch 533.0 x 330.0 x 146.7 mm
Cutout Dimension (WxH)	13.75 x 11.10 inch 349.3 x 281.9 mm	15.07 x 12.51 inch 382.8 x 317.8 mm	16.98 x 13.78 inch 431.3 x 350.0 mm	19.92 x 12.35 inch 506.0 x 313.7 mm
Environmental				
Operating Temperature	0~50°C (32~122°F)	0~50°C (32~122°F)	0~50°C (32~122°F)	0~50°C (32~122°F)
Storage Temperature	-20~60°C (-4~140°F)	-20~60°C (-4~140°F)	-20~60°C (-4~140°F)	-20~60°C (-4~140°F)
Relative Humidity	0~95%	0~95%	0~95%	0~95%
IP/NEMA Rating	Bezel meets NEMA 4/4X requirement	Bezel meets NEMA 4/4X requirement	Bezel meets NEMA 4/4X requirement	Bezel meets NEMA 4/4X requirement
Certification	UL 508, UL Class I Division II	UL 508, UL Class I Division II	UL 508, UL Class I Division II	UL 508, UL Class I Division II

Ordering Information				
	ARP-22XXAP-G01-003	ARP-22XXAP-G01-007	ARP-22XXAP-G01-P03	ARP-22XXAP-G01-P07
LCD Display	Standard	Standard	Standard	Standard
Touch Screen	5-Wire	5-Wire	5-Wire	5-Wire
Bezel	Black Powder Coated	Stainless Steel	Black Powder Coated	Stainless Steel
CPU	i5 Mobile	i5 Mobile	i5 Mobile	i5 Mobile
Memory	8GB DDR3	8GB DDR3	8GB DDR3	8GB DDR3
Storage	N/A	N/A	N/A	N/A
Remote Boot	ACP Enable	ACP Enable	PXE	PXE
Power Supply	110/220VAC Input DIN-Rail	110/220VAC Input DIN-Rail	110/220VAC Input DIN-Rail	110/220VAC Input DIN-Rail

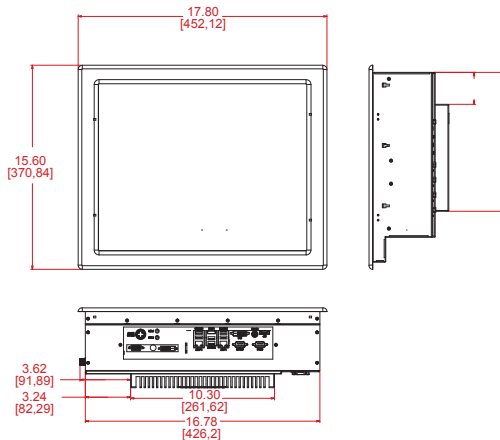
ARP-2215AP-G01



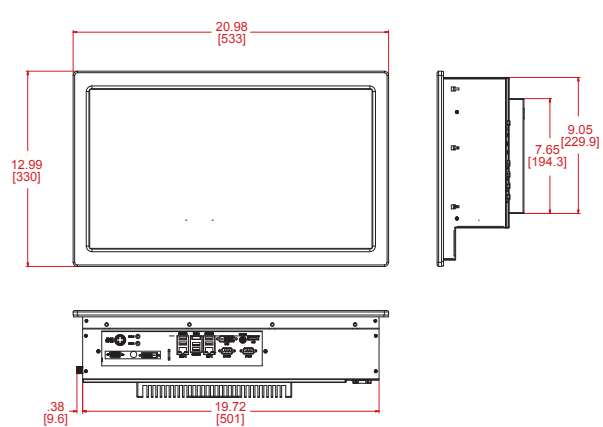
ARP-2217AP-G01



ARP-2219AP-G01



ARP-2221AP-G01





ARP-5500AX Series

**Wash Down Area Touch Panel Thin Clients
Class 1 Div 2 Hazardous Zone**



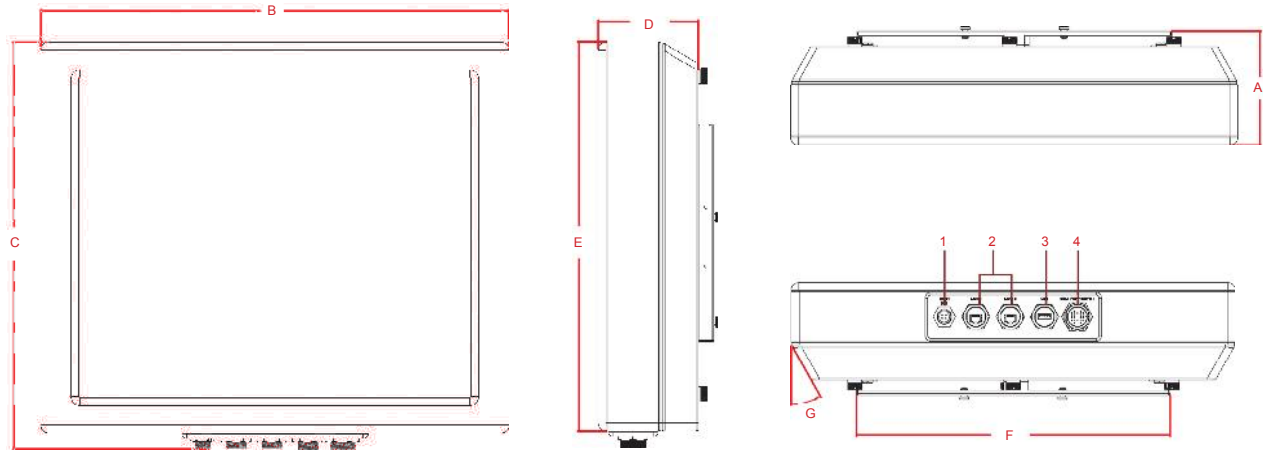
THINMANAGER

Specifications	ARP-5515AX-G01	ARP-5517AX-G01	ARP-5519AX-G01	ARP-5521AX-G01
LCD Display				
Display Size (Diagonal)	15 inch	17 inch	19 inch	21.5 inch
Resolution	1024 x 768	1280 x 1024	1280 x 1024	1920 x 1080
Backlight Lifetime (Hours)	50,000	50,000	50,000	50,000
Visual Characteristics				
Colors	16.7 millions	16.7 millions	16.7 millions	16.7 millions
Aspect ratio	4:3	5:4	5:4	
Viewing angle (V/H)	140° / 160°	140° / 160°	160° / 170°	178° / 178°
Response time (Typical)	8 ms	30 ms	5 ms	14 ms
Pixel Pitch (mm)	0.264 x 0.264	0.264 x 0.264	0.294 x 0.294	0.248 x 0.248
Contrast ratio	700 : 1	800 : 1	1000 : 1	1000 : 1
Brightness	300 nits	350 nits	450 nits	250 nits
Touch Screen				
Technology	5-Wire Resistive	5-Wire Resistive	5-Wire Resistive	5-Wire Resistive
Touch rating	35 million touches	35 million touches	35 million touches	35 million touches
MTBF	490,000 hours	490,000 hours	490,000 hours	490,000 hours
Interface	USB	USB	USB	USB
System				
CPU	Intel i5 mobile Processor	Intel i5 mobile Processor	Intel i5 mobile Processor	Intel i5 mobile Processor
Chipset	Intel QM77	Intel QM77	Intel QM77	Intel QM77
Memory	8GB DDR3	8GB DDR3	8GB DDR3	8GB DDR3
Video Controller	Intel HD Graphics 4000	Intel HD Graphics 4000	Intel HD Graphics 4000	Intel HD Graphics 4000
External Video Output	N/A	N/A	N/A	N/A
Storage Option	N/A	N/A	N/A	N/A
Compact Flash	N/A	N/A	N/A	N/A
Keyboard / Mouse	USB	USB	USB	USB
Audio	N/A	N/A	N/A	N/A
Watchdog Timer	Programmable 1 - 255 sec	Programmable 1 - 255 sec	Programmable 1 - 255 sec	Programmable 1 - 255 sec
Remote Boot	ACP, PXE	ACP, PXE	ACP, PXE	ACP, PXE
I/O Communication				
USB Port	1 x USB 2.0	1 x USB 2.0	1 x USB 2.0	1 x USB 2.0
Serial Port	2 x RS-232	2 x RS-232	2 x RS-232	2 x RS-232
LAN	2 x Gigabit	2 x Gigabit	2 x Gigabit	2 x Gigabit
Parallel	N/A	N/A	N/A	N/A
GPIO	N/A	N/A	N/A	N/A
ThinManager Support				
ThinManager Support	ThinManager 7 & Up	ThinManager 7 & Up	ThinManager 7 & Up	ThinManager 7 & Up
Power / Thermal Specs				
Power Requirement (Max)	24VDC / 3.54A	24VDC / 3.04A	24VDC / 3.18A	24VDC / 3.96A
Power Consumption (Max)	85 W	73 W	77 W	95 W
Recommended Power Supply	122 W	105 W	109 W	136 W
Heat Dissipation	290 BTU/hr	250 BTU/hr	261 BTU/hr	325 BTU/hr
Physical Information				
Mounting	Pedestal, VESA, Wall and Ceiling mount, Benchtop	Pedestal, VESA, Wall and Ceiling mount, Benchtop	Pedestal, VESA, Wall and Ceiling mount, Benchtop	Pedestal, VESA, Wall and Ceiling mount, Benchtop
Net Weight	46 Lbs / 21.00 kg	48 lbs / 22.00 kg	51 lbs/ 23.00 kg	60 lbs/ 27.22 kg
Physical Dimension (WxHxD)	14.51 x 12.42 x 4.09 inch 368.6 x 315.5 x 103.9 mm	15.88 x 14.07 x 4.36 inch 403.4 x 357.4 x 110.7 mm	17.80 x 15.19 x 4.40 inch 452.1 x 385.8 x 111.8 mm	22.18 x 13.47 x 4.63 inch 563.4 x 342.2 x 117.7 mm
Cutout Dimension (WxH)	N/A	N/A	N/A	N/A
Physical Information				
Operating Temp	0~50°C (32~122°F)	0~50°C (32~122°F)	0~50°C (32~122°F)	0~50°C (32~122°F)
Storage Temp	-20~60°C (-4~140°F)	-20~60°C (-4~140°F)	-20~60°C (-4~140°F)	-20~60°C (-4~140°F)
Relative Humidity	5~95%	5~95%	5~95%	5~95%
IP/NEMA Rating	Meets NEMA 4X requirement	Meets NEMA 4X requirement	Meets NEMA 4X requirement	Meets NEMA 4X requirement
Certification				

Specifications	ARP-5515AX-E01	ARP-5517AX-E01	ARP-5519AX-E01	ARP-5521AX-E01	ARP-5542AX-E01
LCD Display					
Display Size (Diagonal)	15 inch	17 inch	19 inch	21.5 inch	42 inch
Resolution	1024 x 768	1280 x 1024	1280 x 1024	1920 x 1080	1920 x 1080
Backlight Lifetime (Hours)	50,000	50,000	50,000	50,000	50,000
Visual Characteristics					
Colors	16.7 millions	16.7 millions	16.7 millions	16.7 millions	1073 millions
Aspect ratio	4:3	5:4	5:4	16:9	16:9
Viewing angle (V/H)	140° / 160°	140° / 160°	160° / 170°	178° / 178°	178° / 178°
Response time (Typical)	8 ms	30 ms	5 ms	14 ms	8 ms
Pixel Pitch (mm)	0.264 x 0.264	0.264 x 0.264	0.294 x 0.294	0.248 x 0.248	0.484 x 0.484
Contrast ratio	700 : 1	800 : 1	1000 : 1	1000 : 1	4000 : 1
Brightness	300 nits	350 nits	450 nits	250 nits	500 nits
Touch Screen					
Technology	5-Wire Resistive	5-Wire Resistive	5-Wire Resistive	Projected Capacitive	Infrared
Touch rating	35 million touches	35 million touches	35 million touches	50 million touches	N/A
MTBF	490,000 hours	490,000 hours	490,000 hours	N/A	N/A
Interface	USB	USB	USB	USB	USB
System					
CPU	Intel E3845 1.91GHz Quad Core ATOM CPU	Intel E3845 1.91GHz Quad Core ATOM CPU	Intel E3845 1.91GHz Quad Core ATOM CPU	Intel E3845 1.91GHz Quad Core ATOM CPU	Intel E3845 1.91GHz Quad Core ATOM CPU
Chipset	Bay Trail	Bay Trail	Bay Trail	Bay Trail	Bay Trail
Memory	4GB DDR3 SO-DIMM	4GB DDR3 SO-DIMM	4GB DDR3 SO-DIMM	4GB DDR3 SO-DIMM	4GB DDR3 SO-DIMM
Video Controller	Intel Gen7 Intel Graphics DX 11, OGL3.2	Intel Gen7 Intel Graphics DX 11, OGL3.2	Intel Gen7 Intel Graphics DX 11, OGL3.2	Intel Gen7 Intel Graphics DX 11, OGL3.2	Intel Gen7 Intel Graphics DX 11, OGL3.2
External Video Output	N/A	N/A	N/A	N/A	N/A
Storage Option	N/A	N/A	N/A	N/A	N/A
Compact Flash	N/A	N/A	N/A	N/A	N/A
Keyboard / Mouse	USB	USB	USB	USB	USB
Audio	N/A	N/A	N/A	N/A	N/A
Watchdog Timer	Programmable 1 - 255 sec	Programmable 1 - 255 sec	Programmable 1 - 255 sec	Programmable 1 - 255 sec	Programmable 1 - 255 sec
Remote Boot	ACP, PXE	ACP, PXE	ACP, PXE	ACP, PXE	ACP, PXE
Expansion Slot	N/A	N/A	N/A	N/A	N/A
I/O Communication					
USB Port	1 x USB 2.0	1 x USB 2.0	1 x USB 2.0	1 x USB 2.0	1 x USB 2.0
Serial Port	N/A	N/A	N/A	N/A	N/A
LAN	2 x Gigabit	2 x Gigabit	2 x Gigabit	2 x Gigabit	2 x Gigabit
Parallel	N/A	N/A	N/A	N/A	N/A
GPIO	N/A	N/A	N/A	N/A	N/A
ThinManager Support					
External Smart Battery	N/A	N/A	N/A	N/A	N/A
OS Support					
ThinManager Support	Thin Manager 6 & Up	Thin Manager 6 & Up	Thin Manager 6 & Up	Thin Manager 6 & Up	Thin Manager 6 & Up
Power / Thermal Specs					
Power Requirement (Max)	24VDC / 1.17A	24VDC / 1.25A	24VDC / 1.25A	24VDC / 1.58A	24VDC / 7.54A
Power Consumption (Max)	28 W	30 W	30 W	38 W	181 W
Recommended Power Supply	40 W	43 W	43 W	55 W	259 W
Heat Dissipation	96 BTU/hr	103 BTU/hr	103 BTU/hr	130 BTU/hr	618 BTU/hr
Physical Information					
Mounting	Pedestal, VESA, Wall and Ceiling mount, Benchtop	Pedestal, VESA, Wall and Ceiling mount, Benchtop	Pedestal, VESA, Wall and Ceiling mount, Benchtop	Pedestal, VESA, Wall and Ceiling mount, Benchtop	Wall Mount
Net Weight	32 Lbs/ 14.52 kg	34 Lbs / 15.42 Kg	35 Lbs / 15.88 Kg	40 Lbs / 18.14 Kg	110 Lbs/ 50 kg
Physical Dimension (WxHxD)	14.51 x 12.42 x 4.09 inch 368.6 x 315.5 x 103.9 mm	15.88 x 14.07 x 4.36 inch 403.4 x 357.4 x 110.7 mm	17.80 x 15.19 x 4.40 inch 452.1 x 385.8 x 111.8 mm	22.18 x 13.47 x 4.63 inch 563.4 x 342.2 x 117.7 mm	42.87 x 27.29 x 5.38 inch 1089.0 x 693.05 x 136.1 mm
Cutout Dimension (WxH)	N/A	N/A	N/A	N/A	N/A
Physical Information					
Operating Temp	0~50°C (32~122°F)	0~50°C (32~122°F)	0~50°C (32~122°F)	0~50°C (32~122°F)	0~50°C (32~122°F)
Storage Temp	-20~60°C (-4~140°F)	-20~60°C (-4~140°F)	-20~60°C (-4~140°F)	-20~60°C (-4~140°F)	-20~60°C (-4~140°F)
Relative Humidity	0~95%	0~95%	0~95%	0~95%	0~95%
IP/NEMA Rating	Meets NEMA 4X requirement	Meets NEMA 4X requirement	Meets NEMA 4X requirement	Meets NEMA 4X requirement	Meets NEMA 4X requirement
Certification					

Ordering Information		
	ARP-55XXAX-G01-007	ARP-55XXAX-G01-P07
LCD Display	Standard	Standard
Touch Screen	5-Wire	5-Wire
Enclosure	Stainless Steel	Stainless Steel
CPU	i5 Mobile	i5 Mobile
Memory	8GB DDR3	8GB DDR3
Storage	N/A	N/A
Remote Boot	ACP Enable	PXE
Power Supply	110/220VAC Input DIN-Rail	110/220VAC Input DIN-Rail
	ARP-55XXAX-E01-007	ARP-55XXAX-E01-P07
LCD Display	Standard	Standard
Touch Screen	5-Wire	5-Wire
Enclosure	Stainless Steel	Stainless Steel
CPU	E3845 ATOM CPU	E3845 ATOM CPU
Memory	4GB DDR3	4GB DDR3
Storage	N/A	N/A
Remote Boot	ACP Enable	PXE
Power Supply	110/220VAC Input DIN-Rail	110/220VAC Input DIN-Rail

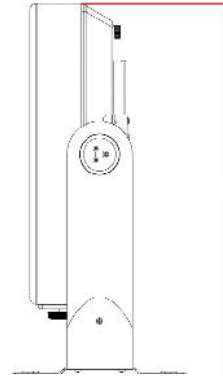
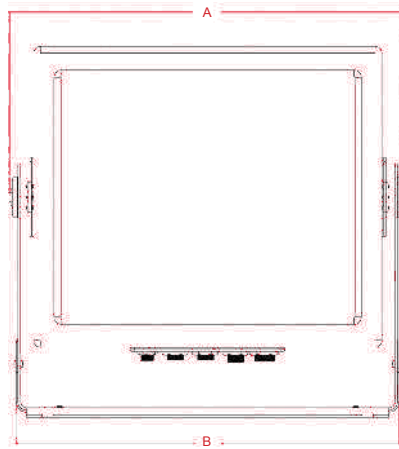
ARP-5500AX Series Line Drawing



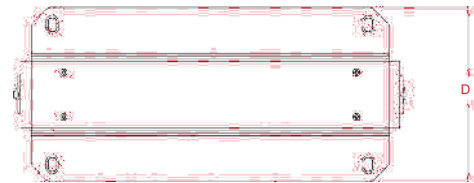
	ARP-5515AX	ARP-5517AX	ARP-5519AX
A	4.09 inch / 103.9 mm	4.36 inch / 110.7 mm	4.4 inch / 111.8 mm
B	14.51 inch / 368.6 mm	15.88 inch / 403.4 mm	17.8 inch / 452.1 mm
C	12.42 inch / 315.5 mm	14.07 inch / 357.4 mm	15.19 inch / 385.8 mm
D	3.5 inch / 88.9 mm	3.77 inch / 95.8 mm	3.81 inch / 96.8 mm
E	11.8 inch / 299.7 mm	13.46 inch / 341.9 mm	14.60 inch / 370.8 mm
F	12.575 inch / 319.4 mm	12.575 inch / 319.4 mm	12.575 inch / 319.4 mm
G	30°	30°	30°

- 1 = Power
- 2 = Ethernet Ports
- 3 = USB
- 4 = 22 Pin Universal Port

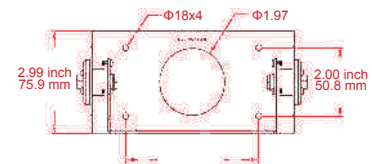
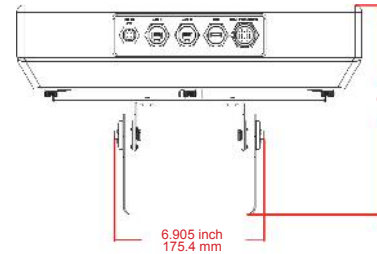
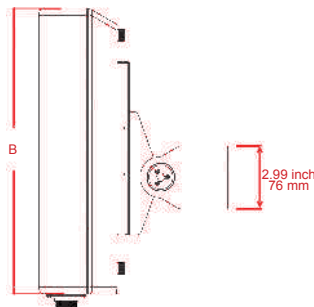
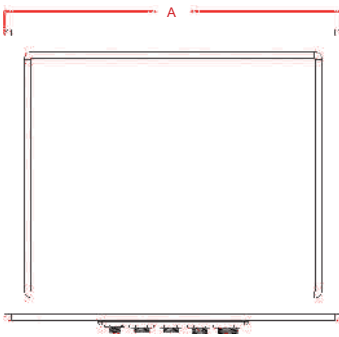
Benchtop Stand Assembly



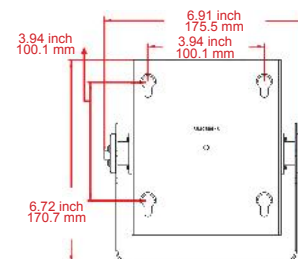
	ARP-5515AX	ARP-5517AX	ARP-5519AX
A	16.79 inch / 426.4 mm	18.09 inch / 459.4 mm	19.86 inch / 504.4 mm
B	16.17 inch / 410.8 mm	17.47 inch / 443.8 mm	19.24 inch / 488.8 mm
C	14.95 inch / 379.7 mm	16.57 inch / 420.9 mm	17.71 inch / 449.8 mm
D	7.87 inch / 200.0 mm	7.87 inch / 200.0 mm	7.87 inch / 200.0 mm



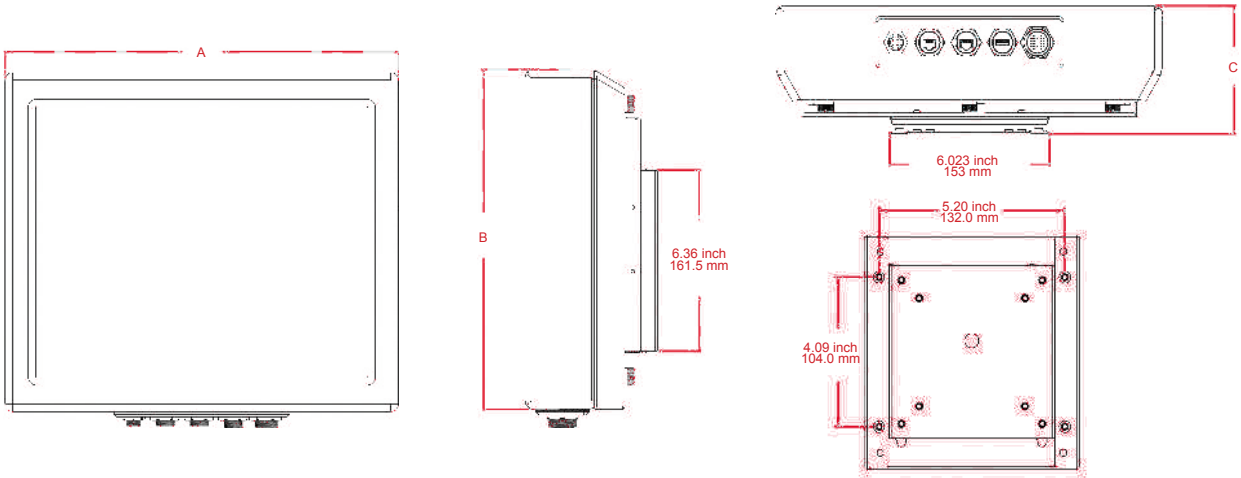
Pedestal Mount Bracket Assembly



	ARP-5515AX	ARP-5517AX	ARP-5519AX
A	14.51inch / 368.5mm	15.88inch / 403.3mm	17.80inch / 452.1mm
B	11.80inch / 299.6mm	13.46inch / 341.8mm	14.60inch / 370.8mm
C	9.21inch / 234.0mm	9.48inch / 240.8mm	9.52inch / 241.8mm

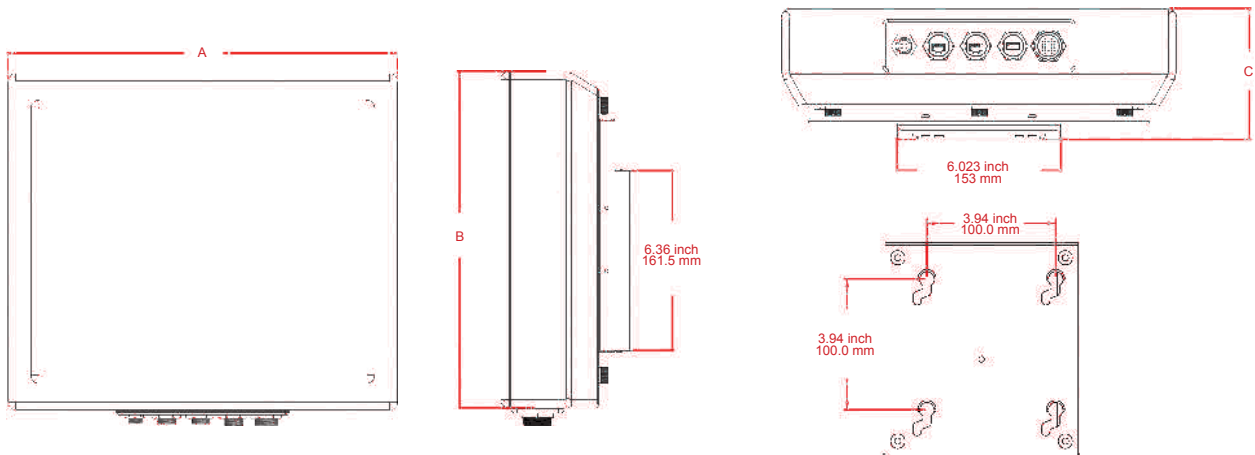


VESA Mount Bracket Assembly

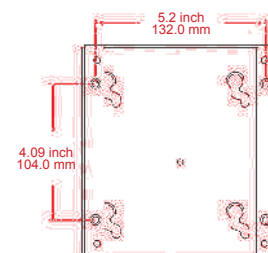


	ARP-5515AX	ARP-5517AX	ARP-5519AX
A	14.51inch / 368.5mm	15.88inch / 403.3mm	17.80inch / 452.1mm
B	11.80inch / 299.6mm	13.46inch / 341.8mm	14.60inch / 370.8mm
C	4.69inch / 119.0mm	4.95inch / 125.8mm	4.99inch / 126.8mm

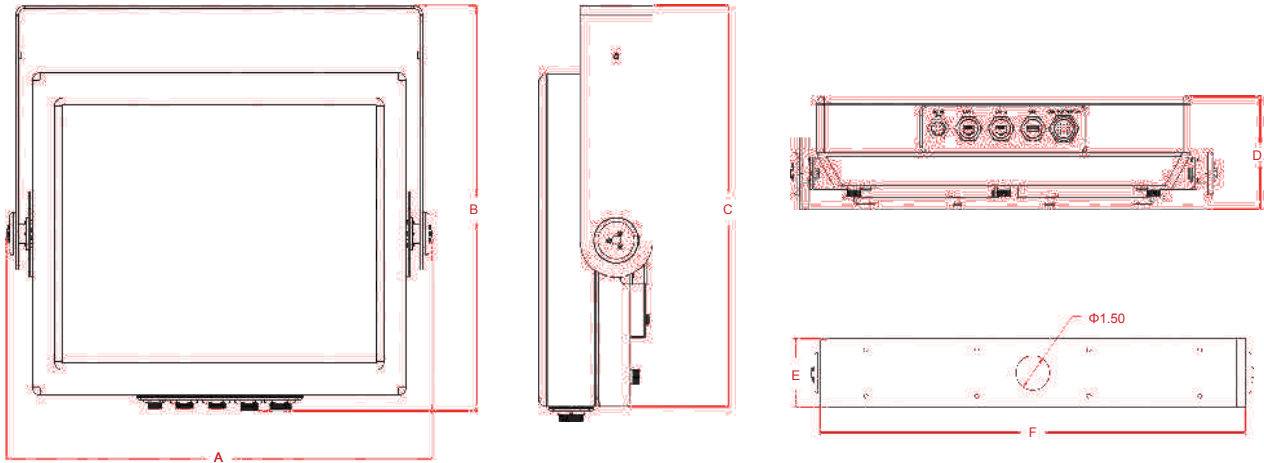
Wall Mount Bracket Assembly



	ARP-5515AX	ARP-5517AX	ARP-5519AX
A	14.51inch / 368.5mm	15.88inch / 403.3mm	17.80inch / 452.1mm
B	11.80inch / 299.6mm	13.46inch / 341.8mm	14.60inch / 370.8mm
C	4.69inch / 119.0mm	4.95inch / 125.8mm	4.99inch / 126.8mm

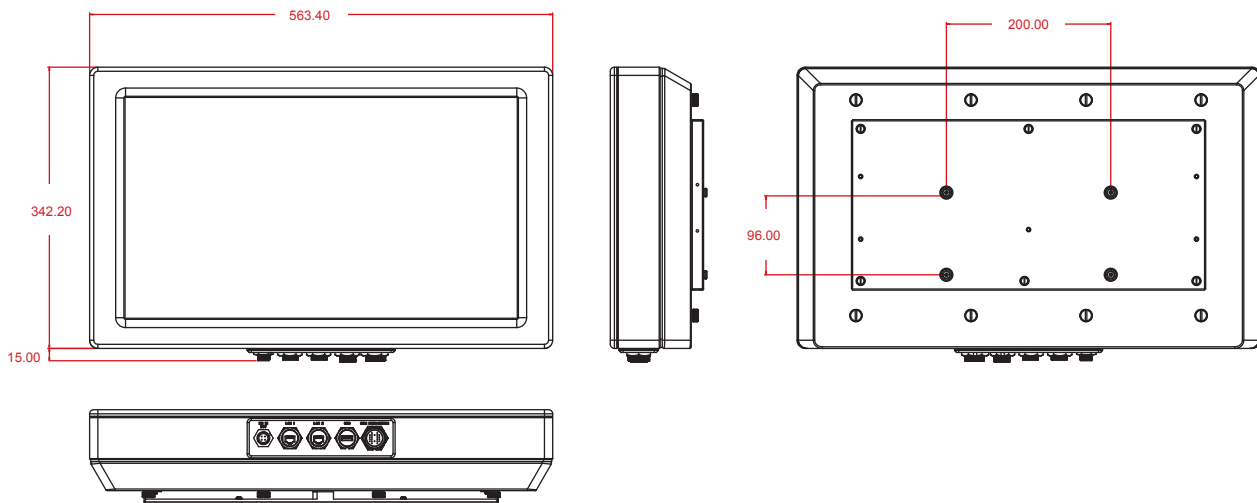


Ceiling Mount Assembly

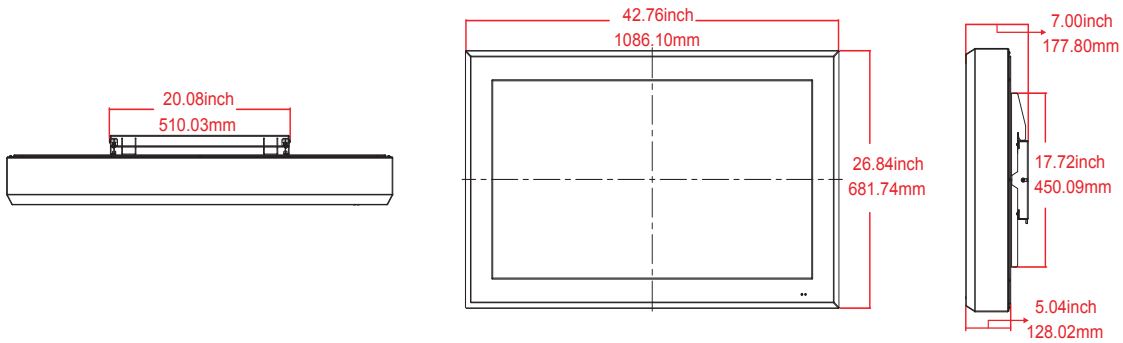


	ARP-5515AX	ARP-5517AX	ARP-5519AX
A	16.79 inch / 426.4 mm	18.09 inch / 459.4 mm	19.86 inch / 504.4 mm
B	15.30 inch / 388.6 mm	16.92 inch / 429.7 mm	18.05 inch / 458.5 mm
C	14.64 inch / 371.8 mm	16.26 inch / 412.9 mm	17.39 inch / 441.8 mm
E	4.41 inch / 112.0 mm	4.68 inch / 118.8 mm	4.72 inch / 119.8 mm
F	2.99 inch / 76.0 mm	2.99 inch / 76.0 mm	2.99 inch / 76.0 mm
G	16.00 inch / 406.4 mm	17.30 inch / 439.4 mm	19.07 inch / 484.4 mm

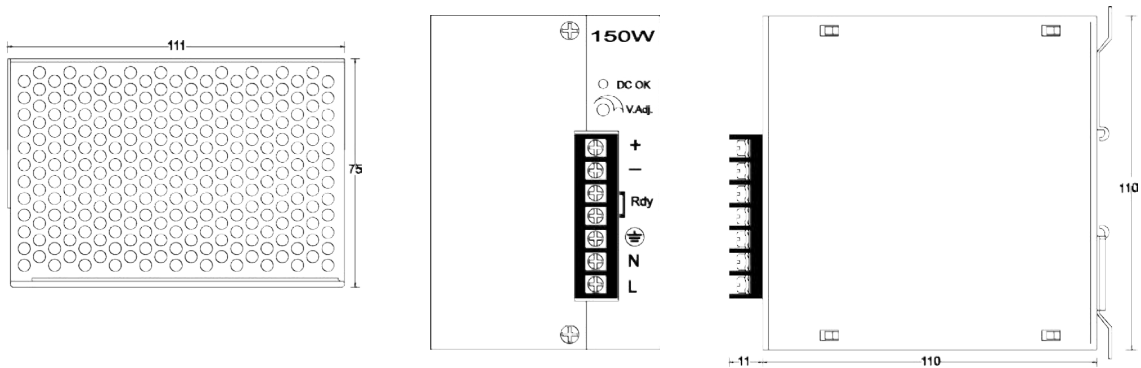
ARP-5521AX-G01



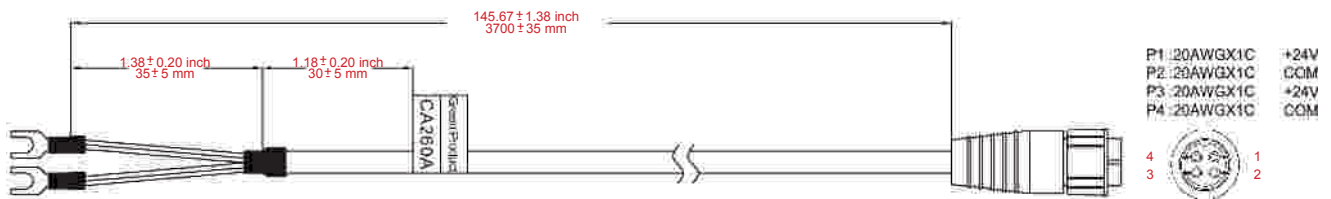
ARP-5524AX-E01



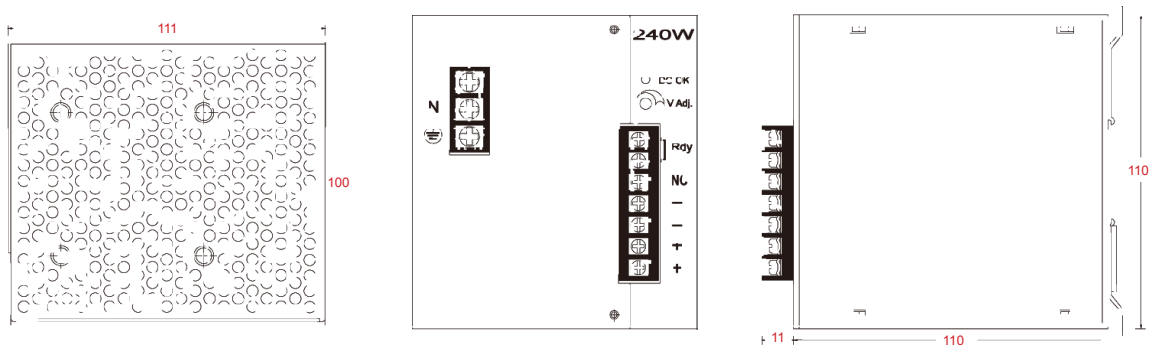
APS-DR1150F-24



Model : CA260A (24 VDC Input power cord)

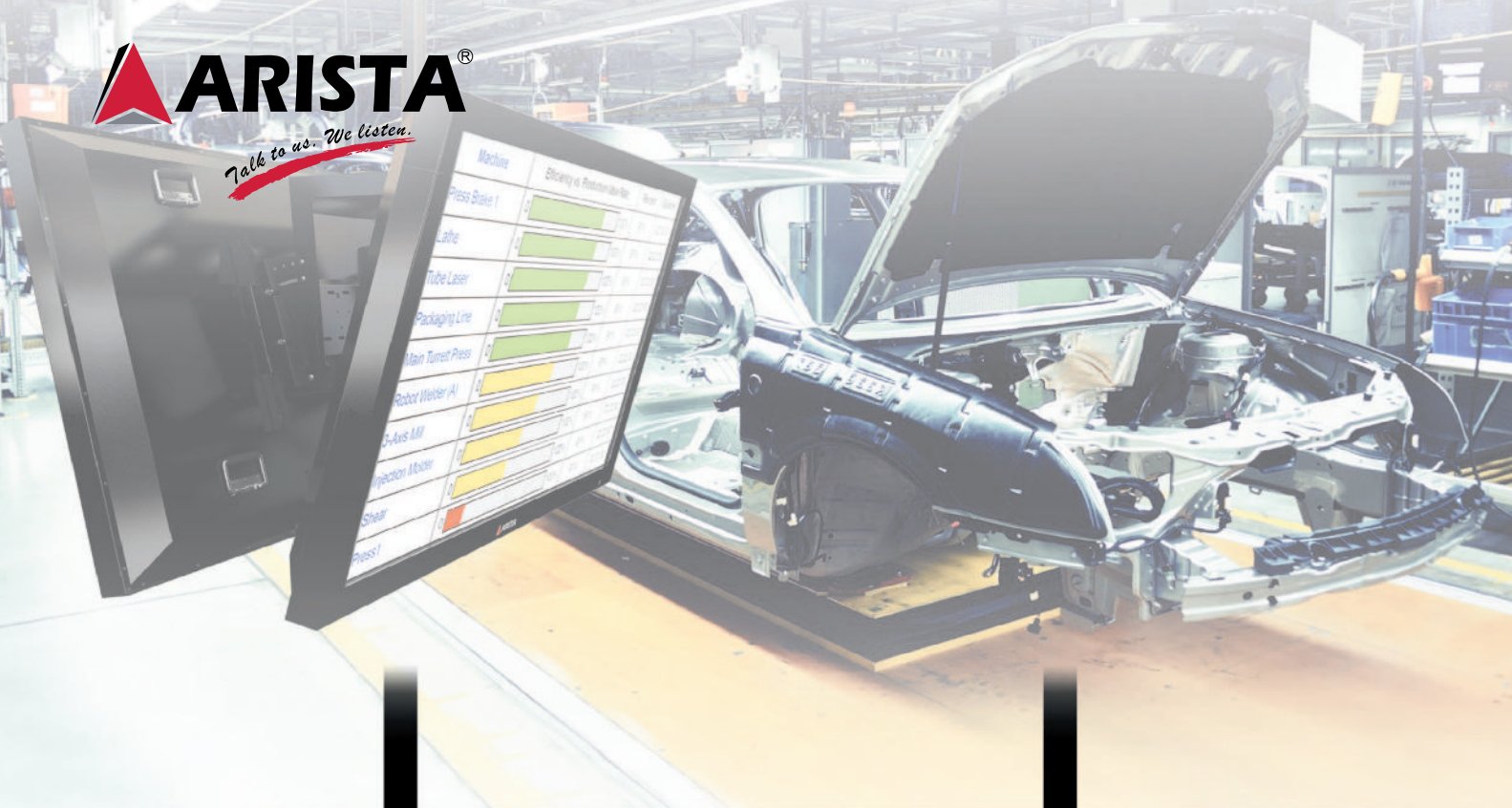


APS-DR1240C-24





Talk to us. We listen.



Machine	Efficiency vs. Production Ideal Rate	Percent	Duration
Press Brake 1	0 100%	91%	02:20:30
Lathe	0 100%	91%	02:20:30
Tube Laser	0 100%	91%	02:20:30
Packaging Line	0 100%	91%	02:20:30
Main Turret Press	0 100%	91%	02:20:30
Robot Welder (A)	0 100%	91%	02:20:30
3-Axis Mill	0 100%	91%	02:20:30
Injection Molder	0 100%	91%	02:20:30
Shear	0 100%	91%	02:20:30
Press1	0 100%	91%	02:20:30

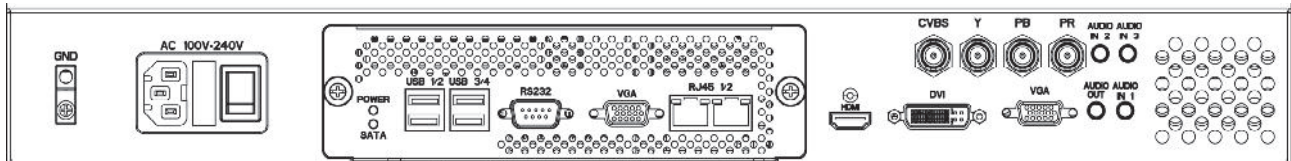


ARP-5565BP-E01

65" Industrial Large Format Display Thin Client



Arista's Large Format Industrial LCD Display Computers, ARP-5542BP/ARP-5565BP/ARP-5584BP-C01, integrates swappable CPU module in the unit and available in LCD display size 42", 65" and 84". These rugged large format LCD display computers were designed with touch capability so they can be used for information kiosk on plant floor. The swappable CPU module comes with Intel N2800 1.86GHz dual core Atom CPU and can be populated up to 4GB DDR3 memory. Arista's Large Format Industrial LCD Display Computers provide optional WIFI capability which gives ARP-5500BP Series the mobility of communicating information across plant floor.



Swappable CPU Module

The repair and maintenance cost of large format display in high ceiling installation could be very expensive. The swappable CPU module of ARP-5500BP Series Large Format Edition minimizes downtime and the cost of repair and maintenance. Because CPU module is swappable, replacing CPU module does not require taking down the unit which saves tremendous manpower and cost. Because CPU module is swappable, replacing CPU module is easy and quick. . Because CPU module is swappable, to upgrade CPU module is easy and quick as well. The CPU module available today is powered by Intel 1.86GHz dual core Atom N2800 CPU and up to 4GB DDR 3 memory capacity. Dual Gigabit Ethernet, four USB 2.0, one RS-232 and one VGA output are integrated in CPU module.

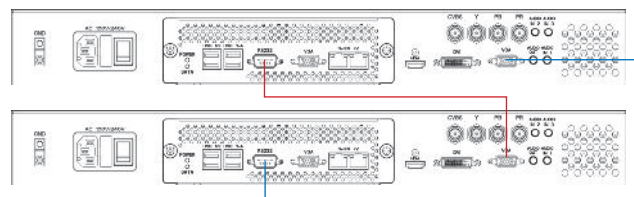
Auxiliary Video Inputs

Arista Corp. creatively adds auxiliary video inputs to the design of ARP-5500BP Series Large Format Edition. The auxiliary video inputs can transform ARP-5500BP Series Large Format Edition to LCD Display unit by connecting to alternative computer VGA video output when CPU module fails. With auxiliary video inputs, the ARP-5500BP Series Large Format Edition can be purchased as LCD Display only and CPU module can be added in the future when it is needed.



Dual Display Backup Setup

The combination of swappable CPU module and auxiliary video input creates the function of dual display backup setup. In dual display setup, two ARP-5500BP Series Large Format Edition units are inter-connected. The VGA output of each CPU module connects to VGA video input of the other unit. In the event of CPU module failure, technician can power on the other CPU module and dual display will be back to work again. In dual display setup, one unit functions as primary display and the other unit functions as secondary display. In case of CPU module failure, primary display becomes secondary display and secondary display becomes primary display. Dual display backup setup can continue to operate while failed CPU module is waiting to be replaced.



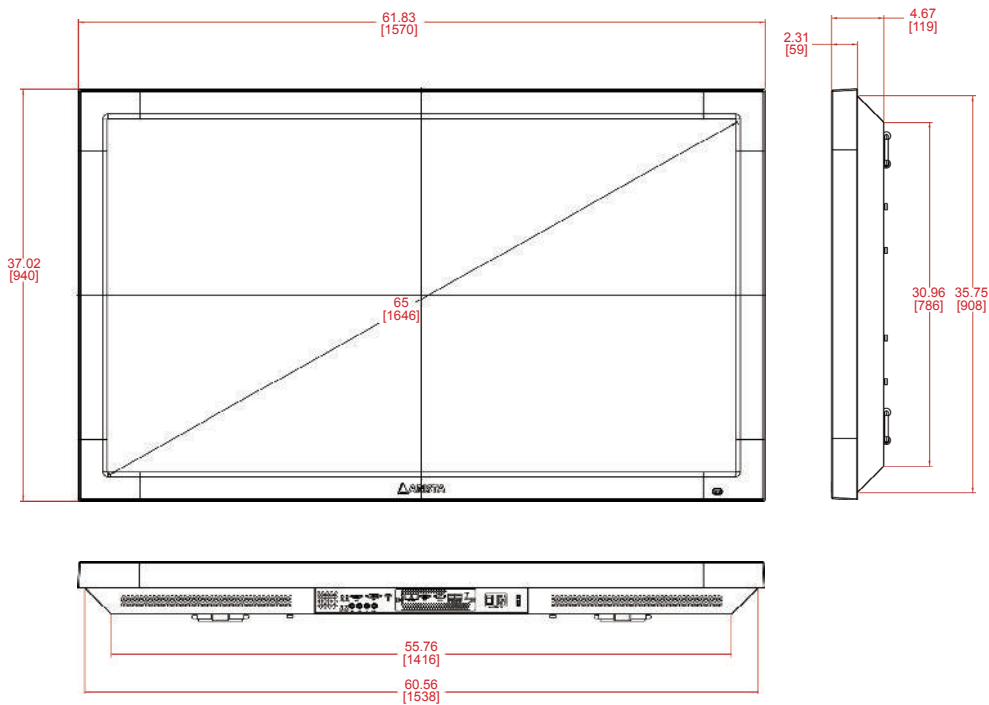
Dual Display Redundant Setup

Specifications	ARP-5565BP-E01
LCD Display	
Display Size (Diagonal)	65.0 inch
Resolution	1920 x 1080
Backlight Lifetime (Hours)	50,000
Visual Characteristics	
Colors	16.7 millions
Aspect ratio	16:9
Viewing angle (V/H)	178° / 178°
Response time (Typical)	8 ms
Pixel Pitch (mm)	0.744 x 0.744
Contrast ratio	4000 : 1
Brightness	450 nits
Auxiliary Video Input	
VGA	Yes
DVI	Yes
HDMI	Yes
Display Port	N/A
CVBS	Yes
YPbPr	Yes
Touch Screen	
Technology	N/A
Touch rating	N/A
Interface	N/A
MTBF	N/A
Driver	N/A
Enclosure	
Color	Black
Protection	N/A
System	
CPU	Intel E3845 1.91GHz ATOM CPU
Chipset	(By CPU)
Memory	4GB DDR3 SO-DIMM
Video Controller	Intel Gen7 Intel Graphics DX 11, OGL3.2
External Video Output	VGA
Storage Option	N/A
Compact Flash	N/A
Keyboard / Mouse	USB
Audio	N/A
Watchdog Timer	YES
Remote Boot	ACP, PXE
I/O Communication	
USB Port	4 x USB 3.0
Serial Port	1x RS-232/422/485
LAN	2 x Gigabit
Parallel	N/A
GPIO	N/A
Smart Battery	
External Smart Battery	N/A
ThinManager Support	
ThinManager Support	ThinManager 6 & Up
Power / Thermal Specs	
Power Requirement (Max)	110VAC / 2.41A, 220VAC / 1.20A
Power Consumption (Max)	256 W
Recommended Power Supply	378 W
Heat Dissipation	903 BTU/hr

Specifications	ARP-5565BP-E01
Physical Information	
Mounting	VESA / Wall Mount
Net Weight	165 Lbs / 75 Kg
Physical Dimension (WxHxD)	61.92 x 37.12 x 3.68 inch 1,573.0 x 942.8 x 93.4 mm
Recommended Cutout Dimension (WxH)	N/A
Environmental	
Operating Temperature	0~40°C (32~104°F)
Storage Temperature	-20~60°C (-4~140°F)
Relative Humidity	10~90% non-condensing
IP/NEMA Rating	N/A
Certification	N/A

Ordering Information	ARP-5565BP-E01-Z01-003	ARP-5565BP-E01-Z01-P03
LCD Display	Standard	Standard
Touch Screen	N/A	N/A
Color	Black	Black
CPU	E3845 ATOM CPU	E3845 ATOM CPU
Memory	4GB DDR3	4GB DDR3
Storage	N/A	N/A
ACP Enabled	ACP Enable	PXE
Power Supply	110/220VAC Input	110/220VAC Input

ARP-5565BP-C01





Talk to us. We listen.

40675 Encyclopedia Circle

Fremont, CA 94538

• TEL: 510-226-1800

www.goarista.com