

BALDOR® • RELIANCE™

Customer information packet

CEM2551T

75HP, 1775RPM, 3PH, 60HZ, 365TC, 4462M, OPSB, F

Specifications

Enclosure	OPSB
Frame	365TC
Frame Material	Steel
Frequency	60.00 Hz
Motor Letter Type	Three Phase
Output @ Frequency	75.000 HP @ 60 HZ
Phase	3
Synchronous Speed @ Frequency	1800 RPM @ 60 HZ
Voltage @ Frequency	230.0 V @ 60 HZ 460.0 V @ 60 HZ
Agency Approvals	CSA EEV NEMA PREMIUM NEMA_PREMIUM UR
Ambient Temperature	40 °C
Auxillary Box	No Auxillary Box
Auxillary Box Lead Termination	None
Base Indicator	Rigid
Bearing Grease Type	Polyrex EM (-20F +300F)
Blower	None
Current @ Voltage	170.000 A @ 230.0 V 85.000 A @ 460.0 V
Design Code	B
Drip Cover	No Drip Cover
Duty Rating	CONT
Efficiency @ 100% Load	95.0 %
Electrically Isolated Bearing	Not Electrically Isolated
Feedback Device	NO FEEDBACK
Front Face Code	Standard
Front Shaft Indicator	None
Heater Indicator	No Heater
High Voltage Full Load Amps	85.0 a

Part detail

Revision	R
Type	AC
Mech. spec.	44D052
Base	
Status	PRD/A
Elec. spec.	44WGW013
Layout	44LYD052
Eff. date	08-01-2023
CD Diagram	CD0180
Poles	04
Leads	9#6
Proprietary	False
Created date	08-03-2010

Insulation Class	F
Inverter Code	Inverter Ready
KVA Code	F
Lifting Lugs	Standard Lifting Lugs
Locked Bearing Indicator	Locked Bearing
Motor Lead Exit	Ko Box
Motor Lead Quantity/Wire Size	9 @ 6 AWG
Motor Lead Termination	Flying Leads
Motor Standards	NEMA
Motor Type	4462M
Mounting Arrangement	F1
Number of Poles	4
Overall Length	33.72 IN
Power Factor	85
Product Family	General Purpose
Pulley End Bearing Type	Ball
Pulley Face Code	C-Face
Pulley Shaft Indicator	Standard
Rodent Screen	None
Service Factor	1.15
Shaft Diameter	2.375 IN
Shaft Extension Location	Pulley End
Shaft Ground Indicator	No Shaft Grounding
Shaft Rotation	Reversible
Shaft Slinger Indicator	No Slinger
Speed	1775 rpm
Speed Code	Single Speed
Starting Method	Direct on line
Thermal Device - Bearing	None
Thermal Device - Winding	None
Vibration Sensor Indicator	No Vibration Sensor
Winding Thermal 1	None
Winding Thermal 2	None

Nameplate

NP2138LUA										
CAT.NO.	CEM2551T		P/N				ENCLOSURE	OPSB		
SPEC.	44D052W013G1	CC	010A	FRAME	365TC	S/N				
HP	75		CLASS	F	HZ	60				
RPM	1775		PH	3	DES	B				
VOLT	230/460		KVA-CODE	F	ODE BRG	6312	DE BRG	6313		
AMP	170/85		USABLE AT 208V		N/A					
RATING	40C AMB-CONT		GREASE	POLYREX EM						
NEMA-NOM-EFF	95	PF	85	SER.F.	1.15					
HTR-VOLTS	50Hz 75Hp 190/380V 160/80A				SF 1.0					
	HTR-AMPS									

AC Induction Motor Performance Data

Record # 31660

Typical performance - not guaranteed values

Winding: 44WGW013-R002		Type: 4462M	Enclosure: OPEN	
Nameplate Data			460 V, 60 Hz: High Voltage Connection	
Rated Output (HP)	75	Full Load Torque	222 LB-FT	
Volts	230/460	Start Configuration	direct on line	
Full Load Amps	170/85	Breakdown Torque	610 LB-FT	
R.P.M.	1775	Pull-up Torque	235 LB-FT	
Hz	60 Phase	3	Locked-rotor Torque	327 LB-FT
NEMA Design Code	B KVA Code	F	Starting Current	507 A
Service Factor (S.F.)	1.15	No-load Current	26.2 A	
NEMA Nom. Eff.	95 Power Factor	85	Line-line Res. @ 25°C	0.0799 Ω
Rating - Duty	40C AMB-CONT	Temp. Rise @ Rated Load	30°C	
S.F. Amps		Temp. Rise @ S.F. Load	37°C	
		Locked-rotor Power Factor	26.3	
		Rotor inertia	11.7 LB-FT ²	

Load Characteristics 460 V, 60 Hz, 75 HP

% of Rated Load	25	50	75	100	125	150	S.F.
Power Factor	56	77	84	86	87	87	86
Efficiency	93.6	95.6	95.4	95.3	94.6	93.9	94.7
Speed	1794	1788	1782	1776	1769	1761	1776
Line amperes	33.9	48	66.1	85.4	106	128	100

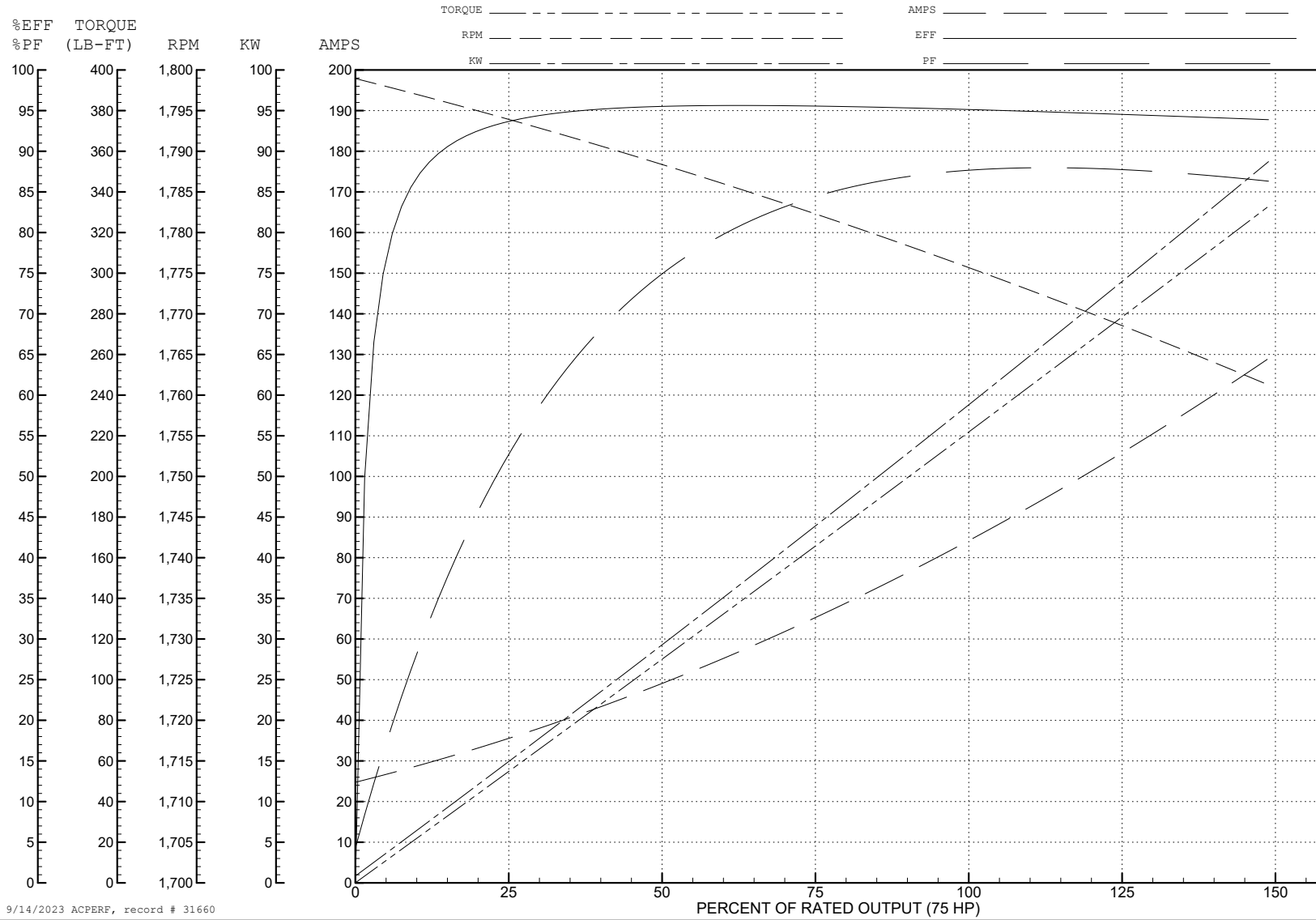
ABB Motors and Mechanical Inc.

WINDING # 44WGW013

Typical performance - not guaranteed values.

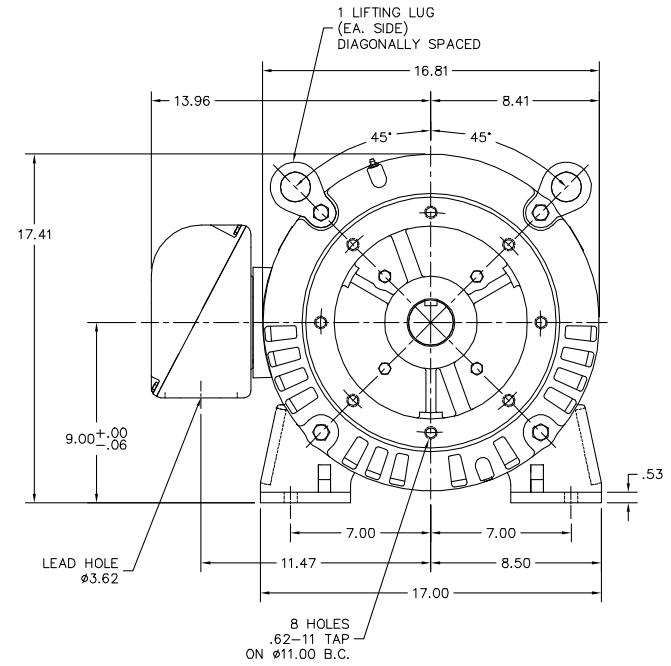
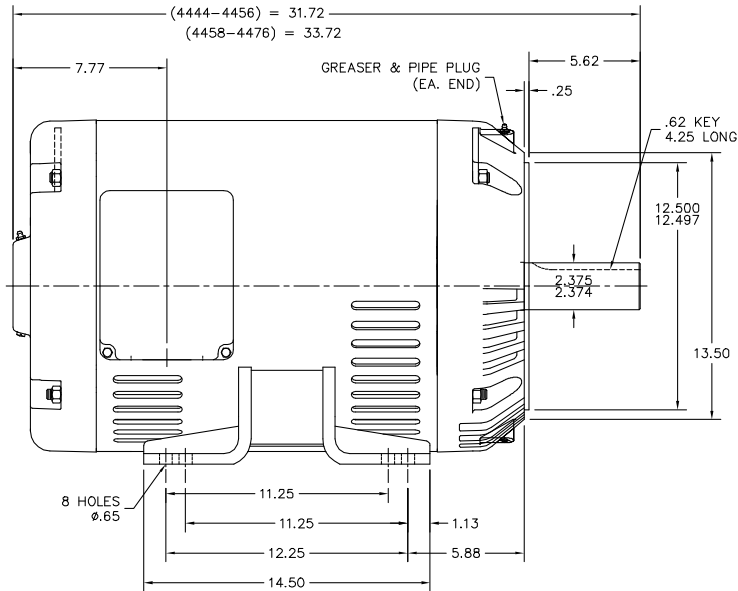
75 HP 3 PH 60 HZ 1775 RPM 460 V 4462M

TORQUES (LB-FT): PO=610 PU=235 LR=327 LRA=507



9/14/2023 ACPERF, record # 31660

44LYD052



44LYD052

CUSTOMER IS RESPONSIBLE FOR DETERMINING THAT BALDOR'S PRODUCT WILL PERFORM SUITABLY IN THE INTENDED APPLICATION.

REV. DESC: UPDATED DESCRIPTION		
REV. LTR: F	VERSION: 03	TDR: 000000855727
FILE: \AAA\00040\891	REVISED: 09:33:01 05/29/2014	BY: ENNINDO
MTL: -		

BALDOR

HOR OPSB 364-5TC

SH 1 of 1

CD0180



LOW VOLTAGE
(2D)



HIGH VOLTAGE
(1D)



NOTES:

1. INTERCHANGE ANY TWO LINE LEADS TO REVERSE ROTATION.
2. OPTIONAL THERMOSTATS ARE PROVIDED WHEN SPECIFIED.
3. ACTUAL NUMBER OF INTERNAL PARALLEL CIRCUITS MAY BE A MULTIPLE OF THOSE SHOWN ABOVE.
4. LEAD COLORS ARE OPTIONAL. LEADS MUST ALWAYS BE NUMBERED AS SHOWN.

CD0180

REV. DESC: ADD CLASS CONN00000007		
REV. LTR: D	VERSION: 01	TDR: 000001099922
FILE: \AAA\00005\148	REVISED: 10: 25: 29 02/19/2019	BY: ENBRIRO
MTL: -	© □	

BALDOR - RELIANCE®

3PH, DV, 9 LEADS, DELTA CONNECTION

SH 1 of 1