



Customer information packet

ECP4402T

100HP, 3565RPM, 3PH, 60HZ, 405TS, A40060M, TEF

Class - CLI GP A,B,C,D

Division - Division II

Specifications

| | |
|-------------------------------|--|
| Enclosure | TEFC |
| Frame | 405TS |
| Frame Material | Iron |
| Frequency | 60.00 Hz |
| Motor Letter Type | Three Phase |
| Output @ Frequency | 100.000 HP @ 60 HZ |
| Phase | 3 |
| Synchronous Speed @ Frequency | 3600 RPM @ 60 HZ |
| Voltage @ Frequency | 230.0 V @ 60 HZ 460.0 V @ 60 HZ |
| XP Class and Group | CLIP A,B,C,D |
| XP Division | Division II |
| Agency Approvals | CCSAUSEEV |
| Ambient Temperature | 40 °C |
| Auxillary Box | No Auxillary Box |
| Base Indicator | Rigid |
| Bearing Grease Type | Polyrex EM (-20F +300F) |
| Constant Torque Speed Range | 6-60 |
| Current @ Voltage | 110.000 A @ 460.0 V 220.000 A @ 230.0 V |
| Design Code | B |
| Drip Cover | No Drip Cover |
| Duty Rating | CONT |
| Efficiency @ 100% Load | 94.1 % |
| Feedback Device | NO FEEDBACK |
| Heater Indicator | No Heater |
| High Voltage Full Load Amps | 110.0 a |
| Insulation Class | F |
| Inverter Code | Inverter Ready |
| KVA Code | F |
| Lifting Lugs | Standard Lifting Lugs |
| Motor Lead Quantity/Wire Size | 3 @ 2 AWG |

Part detail

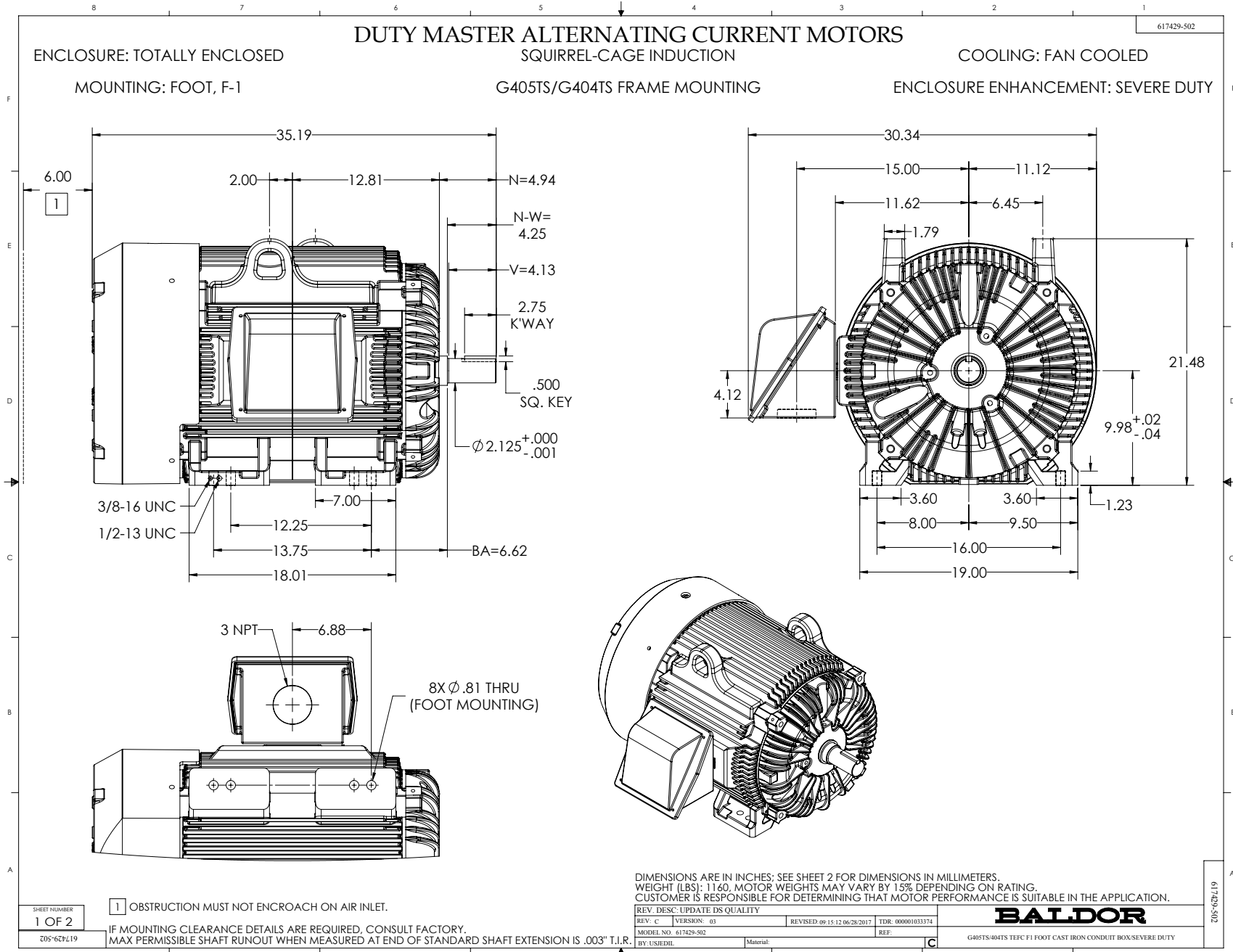
| | |
|--------------|------------|
| Revision | M |
| Type | AC |
| Mech. spec. | |
| Base | |
| Status | PRD/A |
| Elec. spec. | A40WG0022 |
| Layout | 617429-502 |
| Eff. date | 03-12-2020 |
| CD Diagram | 416820-002 |
| Poles | 02 |
| Leads | 3#2,6#4 |
| Proprietary | False |
| Created date | 07-15-2013 |

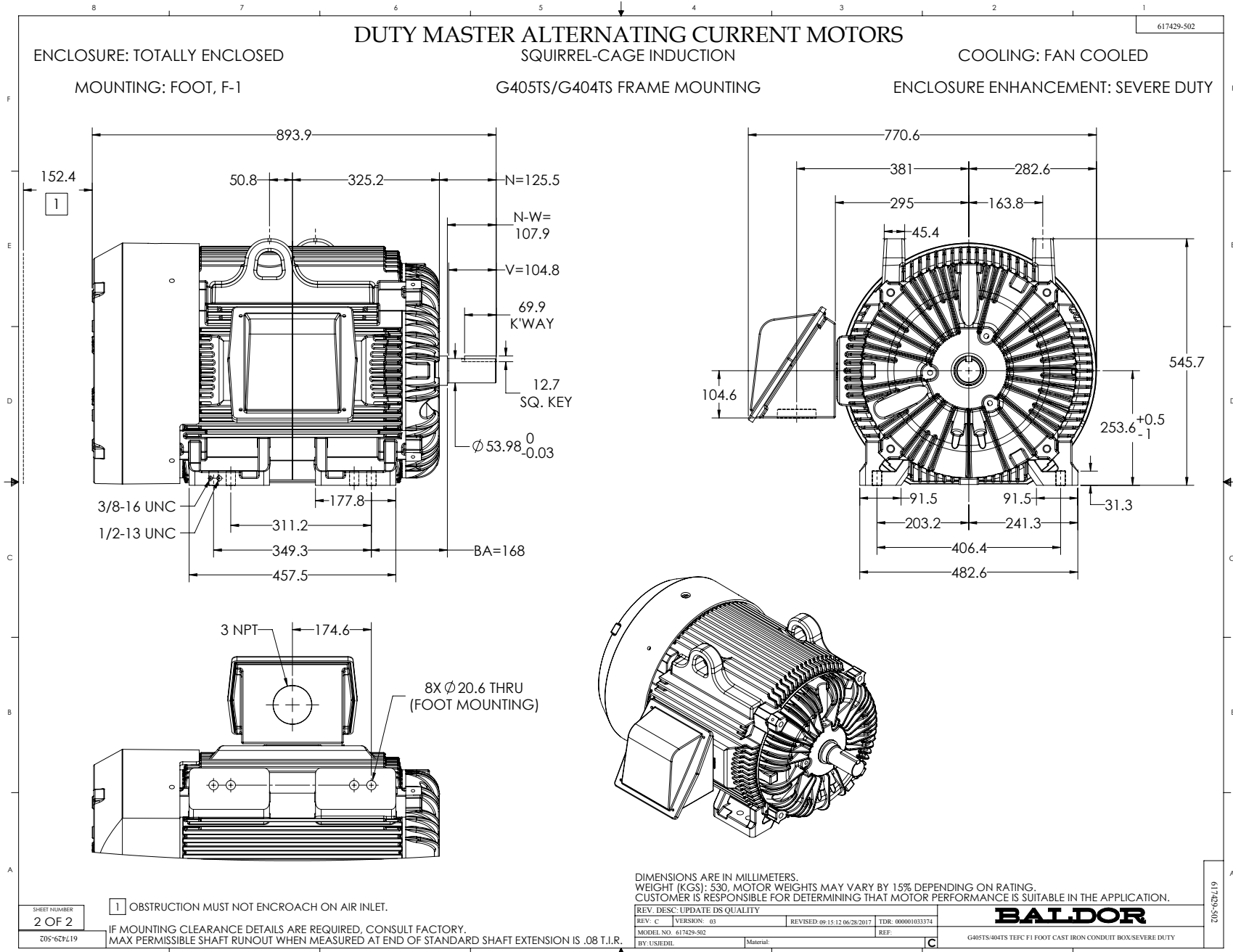
| Motor Standards | NEMA |
|---------------------------------|--------------------|
| Motor Type | A40060M |
| Mounting Arrangement | F1 |
| Number of Poles | 2 |
| Overall Length | 35.04 IN |
| Power Factor | 90 |
| Pulley End Bearing Type | Ball |
| Pulley Face Code | Standard |
| Service Factor | 1.15 |
| Shaft Diameter | 2.125 IN |
| Shaft Ground Indicator | No Shaft Grounding |
| Shaft Rotation | Reversible |
| Shaft Slinger Indicator | Shaft Slinger |
| Speed | 3565 rpm |
| Speed Code | Single Speed |
| Starting Method | Direct on line |
| Thermal Device - Bearing | None |
| Thermal Device - Winding | None |
| XP Temp Code | T3 |

Nameplate

NP3238

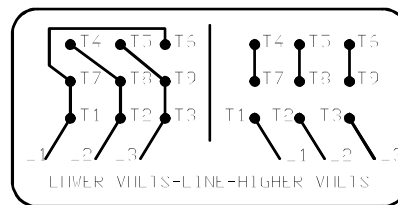
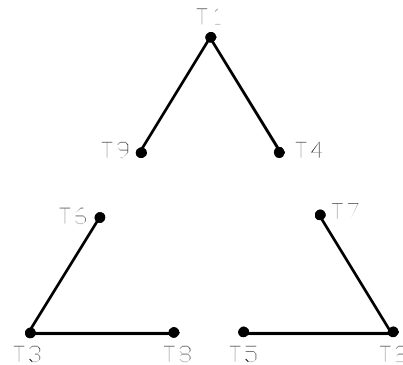
| | | | | | | | | | |
|---------------------------|------------|------------------------|----------|------------------------------|---------|---------------|------|--------------------|------|
| CAT NO | ECP4402T | SPEC NO. | P40G3905 | | | | | | |
| HP | 100 | AMPS | 220/110 | VOLTS | 230/460 | DESIGN | B | | |
| FRAME | 405TS | RPM | 3565 | HZ | 60 | AMB | 40 | SF | 1.15 |
| D.E. BRG.DATA | 6313 | O.D.E. BRG.DATA | 6313 | PH | 3 | DUTY | CONT | INSUL.CLASS | F |
| D.E. BRG. | 65BC03J30X | TYPE | P | ENCL | TEFC | CODE | F | | |
| O.D.E. BRG. | 65BC03J30X | POWER FACTOR | 90 | NEMA NOM EFFICIENCY | 94.1 | | | | |
| 3/4 LOAD EFF. | 94.2 | MAX CORR KVAR | 10.0 | GUARANTEED EFFICIENCY | 93 | | | | |
| TEMP CODE | T3 | TEMP = | 200 | | | | | | |
| CHP HZ | 60-75 | CT HZ | 6-60 | VT HZ | 0-60 | | | | |
| INVERTER-TEMP-CODE | T3 | | | | | | | | |
| SER.NO. | | MOTOR WEIGHT | 1283 | | | | | | |





416820-002

A-C MOTOR
 CONNECTION DIAGRAM
 STANDARD 9 LEAD DELTA-CONNECTED



(N.P. 1575-B)

416820-002

| | | |
|---|------------------------------|-------------------|
| REV. DESC: FONT CHANGE FOR PDF SEARCHABLE | | |
| REV. LTR: A | VERSION: 01 | TDR: 000001009382 |
| FILE: \MGA\00000\661 | REVISED: 02:46:19 02/13/2020 | BY: MGHMTT |
| MTL: - | | © □ |

BALDOR - RELIANCE®

CONN DIAG - STANDARD 9 LEAD, DELTA-CONNECTED

SH 1 of 1