

BALDOR • RELIANCE

Customer information packet

EJMM3613T

5HP, 3470RPM, 3PH, 60HZ, 184JM, 3630M, TEFC, F1

Class - None

Division - Not Applicable

Specifications

Enclosure	TEFC
Frame	184JM
Frame Material	Steel
Frequency	60.00 Hz
Motor Letter Type	Three Phase
Output @ Frequency	5.000 HP @ 60 HZ
Phase	3
Synchronous Speed @ Frequency	3600 RPM @ 60 HZ
Voltage @ Frequency	230.0 V @ 60 HZ
	460.0 V @ 60 HZ
XP Class and Group	None
XP Division	Not Applicable
Agency Approvals	CSA
	CSA EEV
	NEMA PREMIUM
	UR
Ambient Temperature	40 °C
Auxillary Box	No Auxillary Box
Auxillary Box Lead Termination	None
Base Indicator	Rigid
Bearing Grease Type	Polyrex EM (-20F +300F)
Blower	None
Current @ Voltage	5.800 A @ 460.0 V
	12.800 A @ 208.0 V
	11.600 A @ 230.0 V
Design Code	A
Drip Cover	No Drip Cover
Duty Rating	CONT
Efficiency @ 100% Load	88.5 %
Electrically Isolated Bearing	Not Electrically Isolated
Feedback Device	NO FEEDBACK
Front Shaft Indicator	None

Part detail

Revision	B
Type	AC
Mech. spec.	36H017
Base	
Status	PRD/A
Elec. spec.	36WGQ043
Layout	36LYH017
Eff. date	05-18-2022
CD Diagram	CD0005
Poles	02
Leads	9#16
Proprietary	False
Created date	12-15-2020

Heater Indicator	No Heater
High Voltage Full Load Amps	5.8 a
Insulation Class	F
Inverter Code	Not Inverter
KVA Code	L
Lifting Lugs	No Lifting Lugs
Locked Bearing Indicator	Locked Bearing
Motor Lead Quantity/Wire Size	9 @ 16 AWG
Motor Lead Termination	Flying Leads
Motor Standards	NEMA
Motor Type	3630M
Mounting Arrangement	F1
Number of Poles	2
Overall Length	18.06 IN
Power Factor	91
Product Family	General Purpose
Pulley End Bearing Type	Ball
Pulley Face Code	C-Face
Pulley Shaft Indicator	Tapped & Key
Rodent Screen	None
RoHS Status	ROHS COMPLIANT
Service Factor	1.15
Shaft Diameter	0.875 IN
Shaft Ground Indicator	No Shaft Grounding
Shaft Rotation	Reversible
Shaft Slinger Indicator	Shaft Slinger
Speed	3470 rpm
Speed Code	Single Speed
Starting Method	Direct on line
Thermal Device - Bearing	None
Thermal Device - Winding	None
Vibration Sensor Indicator	No Vibration Sensor
Winding Thermal 1	None
Winding Thermal 2	None

Nameplate

NP3441LUA

CAT.NO.	EJMM3613T						
SPEC	36H017Q043G1						
HP	5						
VOLTS	230/460						
AMPS	11.6/5.8						
RPM	3470						
FRAME	184JM	HZ	60	PH	3		
SF	1.15	CODE	L	DES	A	CLASS	F
NEMA NOM. EFF	88.5	PF	91				
RATING	40C AMB-CONT						
CC	010A	USABLE AT 208V				N/A	
ENCL	TEFC	SER					
DE	6207	ODE	6205				
VPWM INVERTER READY							
CT6-60H(10:1)VT3-60H(20:1)	50HZ 5HP 190/380V 14.2/7.1A						SF1.0

AC Induction Motor Performance Data

Record # 85858

Preliminary Data Sheet

Winding: 36WGQ043-RXXX		Type: 3630M	Enclosure: TEFC	
Nameplate Data			460 V, 60 Hz: High Voltage Connection	
Rated Output (HP)	5	Full Load Torque	7.57 LB-FT	
Volts	230/460	Start Configuration	direct on line	
Full Load Amps	11.6/5.8	Breakdown Torque	35.2 LB-FT	
R.P.M.	3470	Pull-up Torque	25.1 LB-FT	
Hz	60 Phase	Locked-rotor Torque	28.6 LB-FT	
NEMA Design Code	A KVA Code	Starting Current	58.9 A	
Service Factor (S.F.)	1.15	No-load Current	1.75 A	
NEMA Nom. Eff.	88.5 Power Factor	Line-line Res. @ 25°C	2.57 Ω	
Rating - Duty	40C AMB-CONT	Temp. Rise @ Rated Load	76°C	
S.F. Amps	13.4/6.7	Temp. Rise @ S.F. Load	102°C	
		Locked-rotor Power Factor	65.7	
		Rotor inertia	0.134 lb-ft ²	

Load Characteristics 460 V, 60 Hz, 5 HP

% of Rated Load	25	50	75	100	125	150	S.F.
Power Factor	62	81	88	92	93	94	93
Efficiency	85.6	89.6	89.7	88.7	87.1	85.1	87.8
Speed	3570	3540	3505	3469	3430	3385	3436
Line amperes	2.26	3.25	4.48	5.81	7.28	8.92	6.68

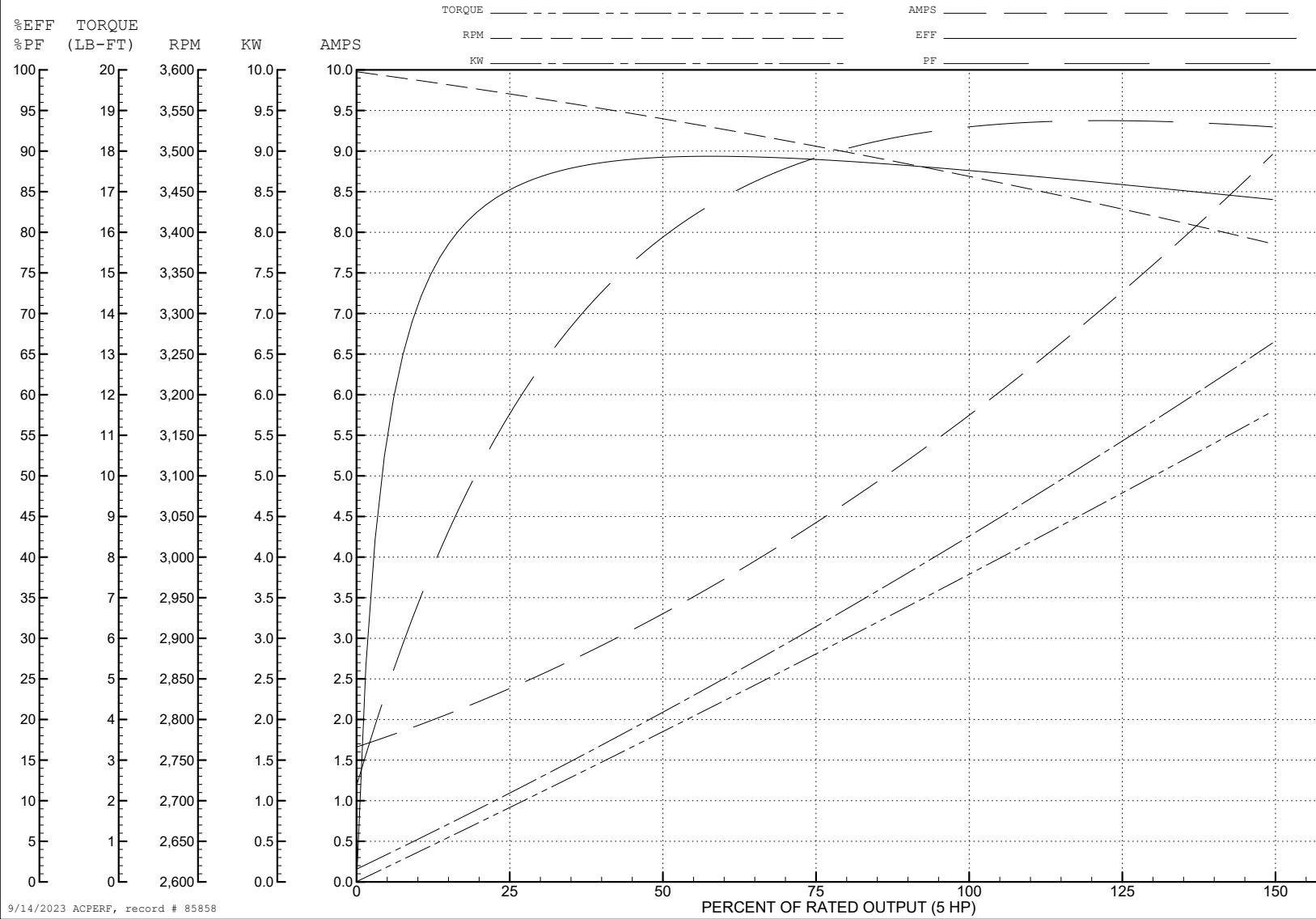
ABB Motors and Mechanical Inc.

WINDING # 36WGQ043

Typical performance - not guaranteed values.

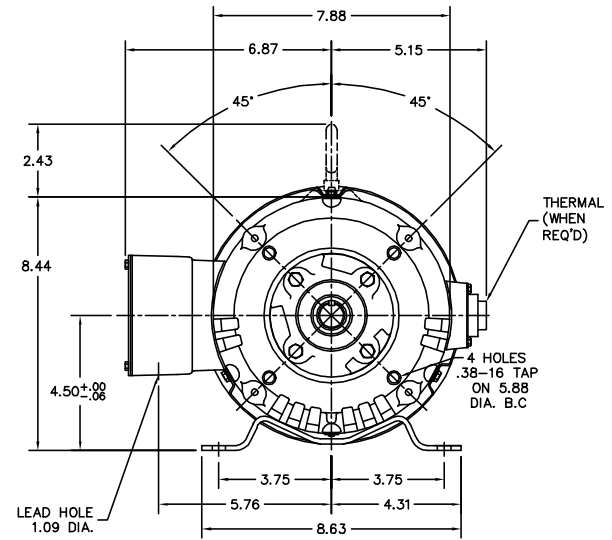
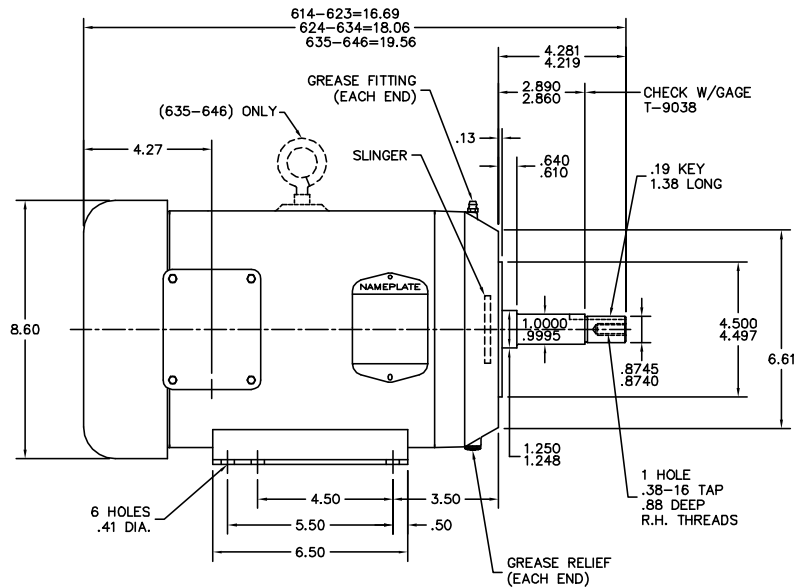
5 HP 3 PH 60 HZ 3470 RPM 460 V 3630M

TORQUES (LB-FT): PO=35.2 PU=25.1 LR=28.6 LRA=58.9



9/14/2023 ACPERF, record # 85858

36LYH017



CUSTOMER IS RESPONSIBLE FOR DETERMINING THAT MOTOR PERFORMANCE IS SUITABLE IN THE APPLICATION.

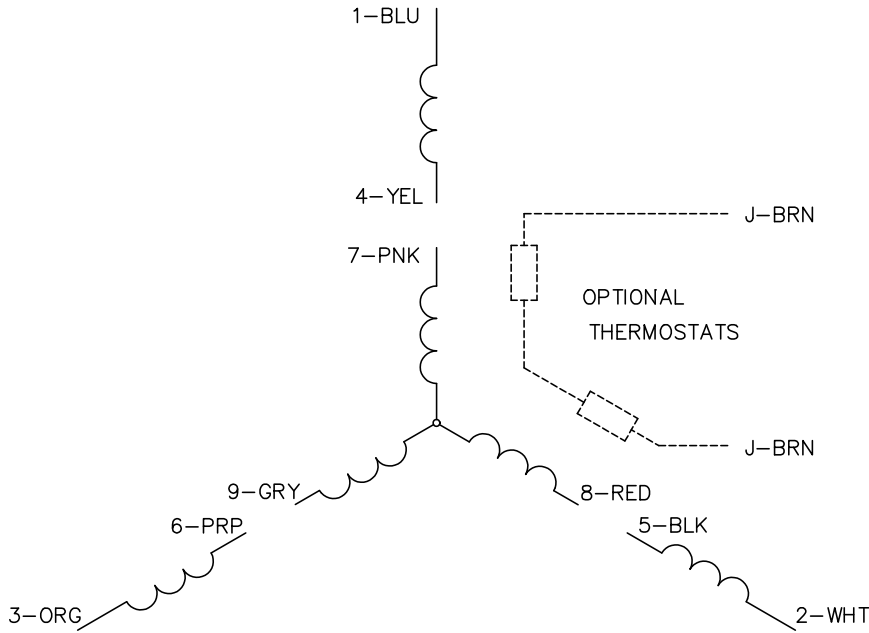
REV. DESC: ADDED KOBX LEAD HOLE DIM			
REV. LTR: M	BY: RMP	REVISED: 07:25:39 09/09/2004	TDR: 342770
FILE: AAA00004174			REF: 36LYH017
MTL: -			

BALDOR ELECTRIC Co.

STD HORZ 182-4JM TEFC 36M

36LYH017

CD0005



LOW VOLTAGE
(2Y)



LINE

HIGH VOLTAGE
(1Y)



LINE

NOTES:

1. INTERCHANGE ANY TWO LINE LEADS TO REVERSE ROTATION.
2. OPTIONAL THERMOSTATS ARE PROVIDED WHEN SPECIFIED.
3. ACTUAL NUMBER OF INTERNAL PARALLEL CIRCUITS MAY BE A MULTIPLE OF THOSE SHOWN ABOVE.
4. LEAD COLORS ARE OPTIONAL. LEADS MUST ALWAYS BE NUMBERED AS SHOWN.

CD0005

REV. DESC: REVISE TO SHOW OPTIONAL COLORS

REV. LTR: E BY: JLP REVISED: 01/19/99 10:15 TDR: 0171435

500000

FILE: AAA00005140

MDL: -

MTL: -

BALDOR ELECTRIC Co.

3PH, DV, 9 LEADS