



Customer information packet

EM4104T

30HP, 1760RPM, 3PH, 60HZ, 286T, 1056M, TEFC, F1

Class - None

Division - Not Applicable

Specifications

Enclosure	TEFC
Frame	286T
Frame Material	Iron
Frequency	60.00 Hz
Motor Letter Type	Three Phase
Output @ Frequency	30.000 HP @ 60 HZ
Phase	3
Synchronous Speed @ Frequency	1800 RPM @ 60 HZ
Voltage @ Frequency	230.0 V @ 60 HZ 460.0 V @ 60 HZ
XP Class and Group	None
XP Division	Not Applicable
Agency Approvals	CSA EEV NEMA PREMIUM NEMA_PREMIUM UR
Ambient Temperature	40 °C
Auxillary Box	No Auxillary Box
Auxillary Box Lead Termination	None
Base Indicator	Rigid
Bearing Grease Type	Polyrex EM (-20F +300F)
Blower	None
Current @ Voltage	78.000 A @ 208.0 V 76.000 A @ 230.0 V 38.000 A @ 460.0 V
Design Code	A
Drip Cover	No Drip Cover
Duty Rating	CONT
Efficiency @ 100% Load	93.6 %
Electrically Isolated Bearing	Not Electrically Isolated
Feedback Device	NO FEEDBACK
Front Face Code	Standard

Part detail

Revision	AJ
Type	AC
Mech. spec.	10C151
Base	
Status	PRD/A
Elec. spec.	10WGY538
Layout	10LYC151
Eff. date	07-19-2023
CD Diagram	CD0180
Poles	04
Leads	9#8
Proprietary	False
Created date	05-17-2010

Front Shaft Indicator	None
Heater Indicator	No Heater
High Voltage Full Load Amps	38.0 a
Insulation Class	F
Inverter Code	Inverter Ready
IP Rating	NONE
KVA Code	J
Lifting Lugs	Standard Lifting Lugs
Locked Bearing Indicator	Locked Bearing
Motor Lead Exit	Ko Box
Motor Lead Quantity/Wire Size	9 @ 8 AWG
Motor Lead Termination	Flying Leads
Motor Standards	NEMA
Motor Type	1056M
Mounting Arrangement	F1
Number of Poles	4
Overall Length	27.76 IN
Power Factor	80
Product Family	General Purpose
Pulley End Bearing Type	Ball
Pulley Face Code	Standard
Pulley Shaft Indicator	Standard
Rodent Screen	None
Service Factor	1.15
Shaft Diameter	1.875 IN
Shaft Extension Location	Pulley End
Shaft Ground Indicator	No Shaft Grounding
Shaft Rotation	Reversible
Shaft Slinger Indicator	Shaft Slinger
Speed	1760 rpm
Speed Code	Single Speed
Starting Method	Direct on line
Thermal Device - Bearing	None
Thermal Device - Winding	None

Vibration Sensor Indicator	No Vibration Sensor
Winding Thermal 1	None
Winding Thermal 2	None

Nameplate

NP3443LUA

CAT.NO.	EM4104T	CUST. P/N				ENCL	TEFC
SPEC.	10C151Y538G1	CC	010A	FRAME	286T	SER.NO.	
HP	30	CLASS	F	HZ	60		
R.P.M.	1760	PH.	3	DES.	A		
VOLTS	230/460	CODE	J	ODE BRG	6309	DE BRG	6311
AMPS	76/38	USABLE AT 208V		N/A			
RATING	40C AMB-CONT	NEMA NOM. EFF.		93.6	GREASE	POLYREX EM	
P.F.	80	SER.F.	1.15	CT6-60H(10:1)VT3-60H(20:1)			
USABLE AT	50Hz 30HP 190/380V 88/44A		SF1.0				
VOLTS	AMPS	MAX. SPACE HEATER TEMP.					

Accessories

Part number	Description	Multiplier
10-1305	C FACE KIT	A8
10EP1502A01SP	D-FLANGE KIT	A8

AC Induction Motor Performance Data

Record # 32189

Typical performance - not guaranteed values

Winding: 10WGY538-R004		Type: 1056M		Enclosure: TEFC	
Nameplate Data			460 V, 60 Hz: High Voltage Connection		
Rated Output (HP)	30		Full Load Torque	88.7 LB-FT	
Volts	230/460		Start Configuration	direct on line	
Full Load Amps	76/38		Breakdown Torque	330 LB-FT	
R.P.M.	1760		Pull-up Torque	142 LB-FT	
Hz	60 Phase	3	Locked-rotor Torque	178 LB-FT	
NEMA Design Code	A KVA Code	J	Starting Current	270 A	
Service Factor (S.F.)	1.15		No-load Current	17.9 A	
NEMA Nom. Eff.	93.6 Power Factor	80	Line-line Res. @ 25°C	0.19377 Ω	
Rating - Duty	40C AMB-CONT		Temp. Rise @ Rated Load	64°C	
S.F. Amps			Temp. Rise @ S.F. Load	76°C	
			Locked-rotor Power Factor	30.9	
			Rotor inertia	4.47 LB-FT ²	

Load Characteristics 460 V, 60 Hz, 30 HP

% of Rated Load	25	50	75	100	125	150	S.F.
Power Factor	41	63	73	80	82	85	81
Efficiency	87.6	92.3	93.5	93.7	93.4	92.9	93.5
Speed	1792.2	1787.6	1782.4	1776.5	1770.3	1762.1	1773
Line amperes	19.8	24.3	30.7	37.6	45.6	55.2	42.4

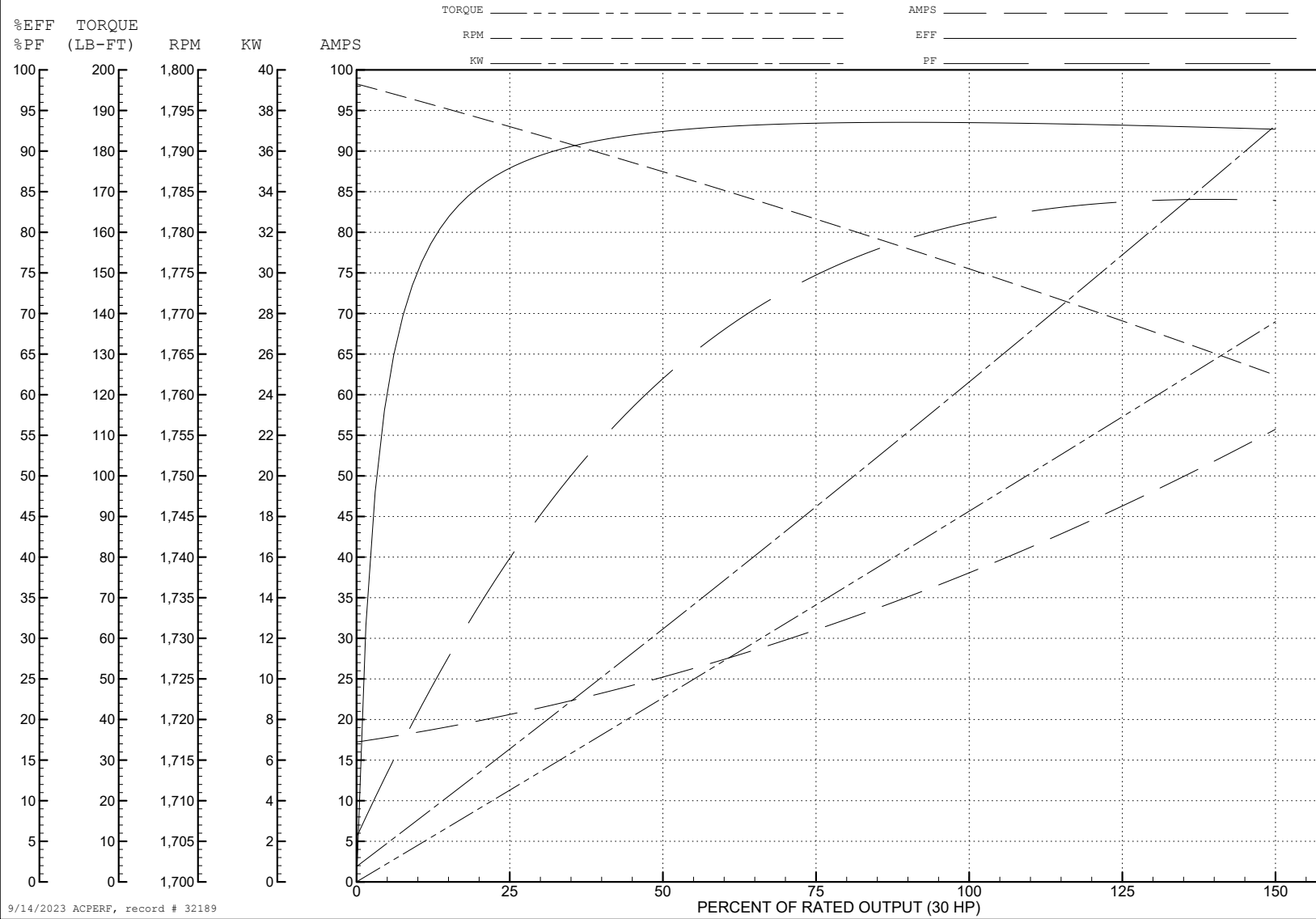
ABB Motors and Mechanical Inc.

WINDING # 10WGY538

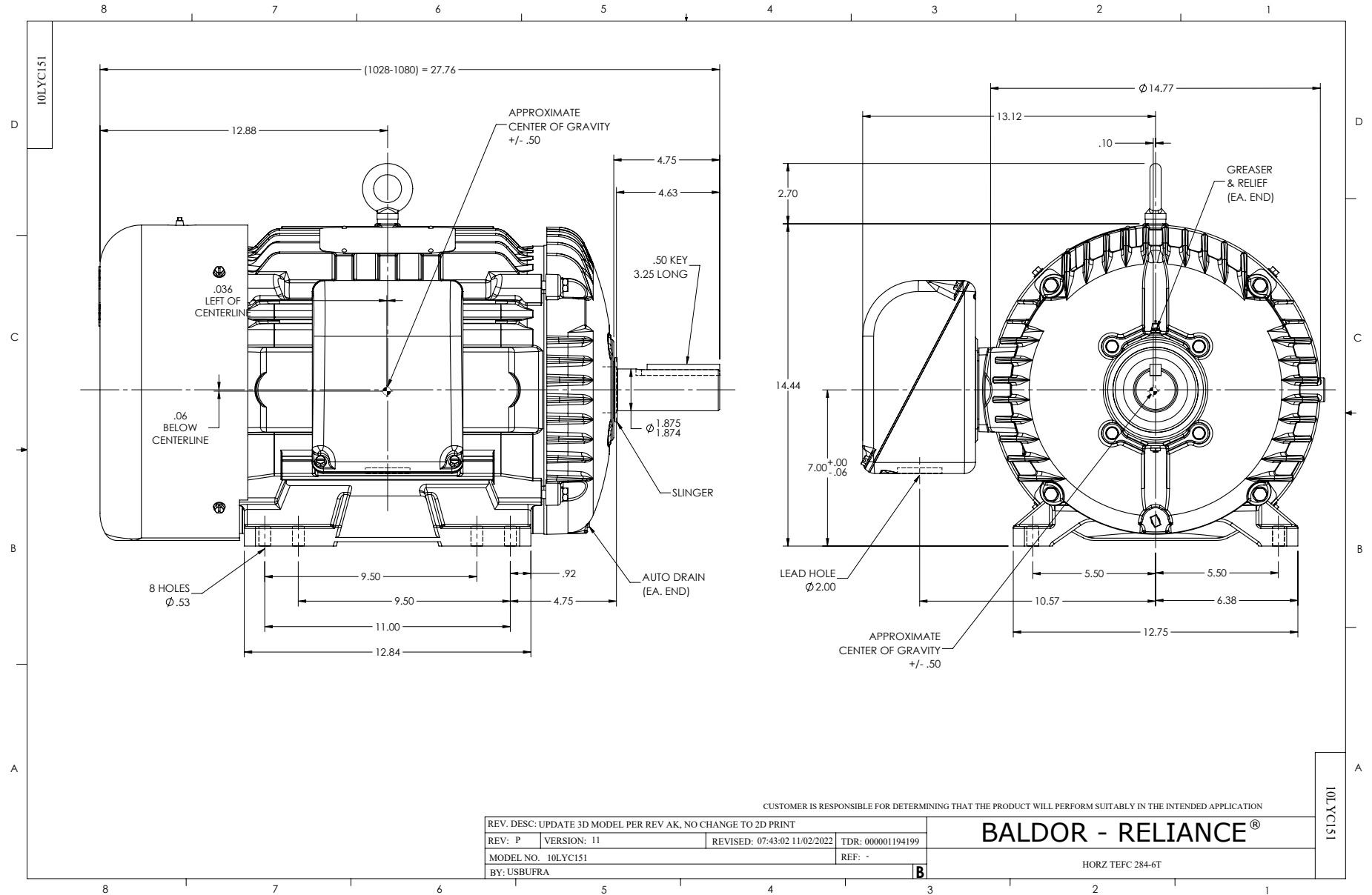
Typical performance - not guaranteed values.

30 HP 3 PH 60 HZ 1760 RPM 460 V 1056M

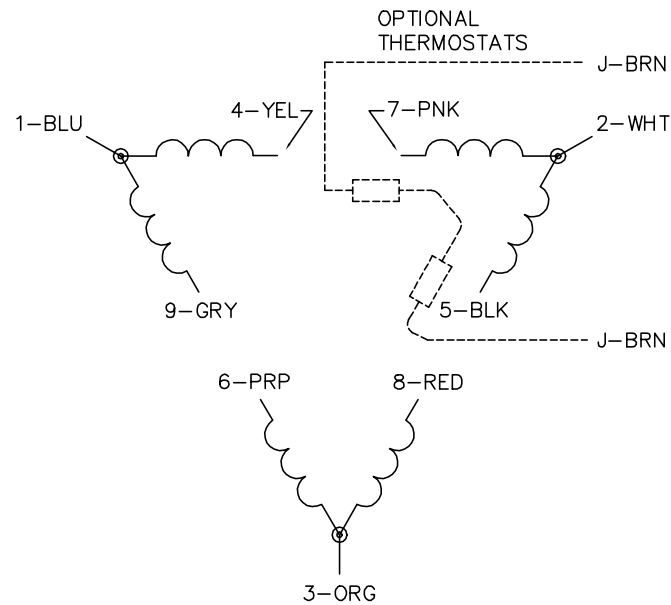
TORQUES (LB-FT): PO=330 PU=142 LR=178 LRA=270



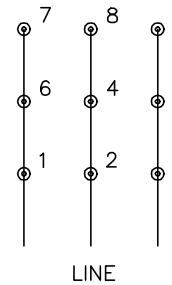
9/14/2023 ACPERF, record # 32189



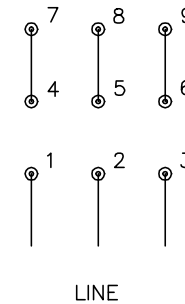
CD0180



LOW VOLTAGE
(2D)



HIGH VOLTAGE
(1D)



NOTES:

1. INTERCHANGE ANY TWO LINE LEADS TO REVERSE ROTATION.
2. OPTIONAL THERMOSTATS ARE PROVIDED WHEN SPECIFIED.
3. ACTUAL NUMBER OF INTERNAL PARALLEL CIRCUITS MAY BE A MULTIPLE OF THOSE SHOWN ABOVE.
4. LEAD COLORS ARE OPTIONAL. LEADS MUST ALWAYS BE NUMBERED AS SHOWN.

CD0180

REV. DESC: ADD CLASS CONN00000007		
REV. LTR: D	VERSION: 01	TDR: 000001099922
FILE: \AAA\00005\148	REVISED: 10: 25: 29 02/19/2019	BY: ENBRIRO
MTL: -	© □	

BALDOR - RELIANCE®

3PH, DV, 9 LEADS, DELTA CONNECTION

SH 1 of 1