

BALDOR® • RELIANCE™

Customer information packet

IDDRPM251004

100HP, 1750, 460V, RL2578, DPFV, F1

Specifications

Enclosure	DPFV
Frame	RL2578Z
Frame Material	Exposed Laminations
Frequency	60.00 Hz
Output @ Frequency	100.000 HP @ 60 HZ
Phase	3
Synchronous Speed @ Frequency	1800 RPM @ 60 HZ
Voltage @ Frequency	460.0 V @ 60 HZ
Agency Approvals	CCSA US
Auxillary Box	No Auxillary Box
Base Indicator	Rigid
Bearing Grease Type	Polyrex EM (-20F +300F)
Current @ Voltage	119.000 A @ 460.0 V
Duty Rating	CONT
Feedback Device	NO FEEDBACK
Frame Prefix	RL
Heater Indicator	No Heater
High Voltage Full Load Amps	119.0 a
Insulation Class	H
IP Rating	NONE
Motor Standards	NEMA
Mounting Arrangement	F1
Overall Length	36.67 IN
Product Family	General Industrial
Pulley End Bearing Type	Ball
Pulley Face Code	Standard
Service Factor	1.00
Shaft Diameter	2.124 IN
Shaft Ground Indicator	Shaft Grounding
Shaft Rotation	Reversible
Speed	1750 rpm
Starting Method	Full Voltage

Part detail

Revision	A
Type	AC
Mech. spec.	
Base	
Status	PRD/A
Elec. spec.	L1821A
Layout	617218-051
Eff. date	01-21-2022
CD Diagram	422927-001
Poles	04
Leads	
Proprietary	False
Created date	11-02-2021

Thermal Device - Bearing

None

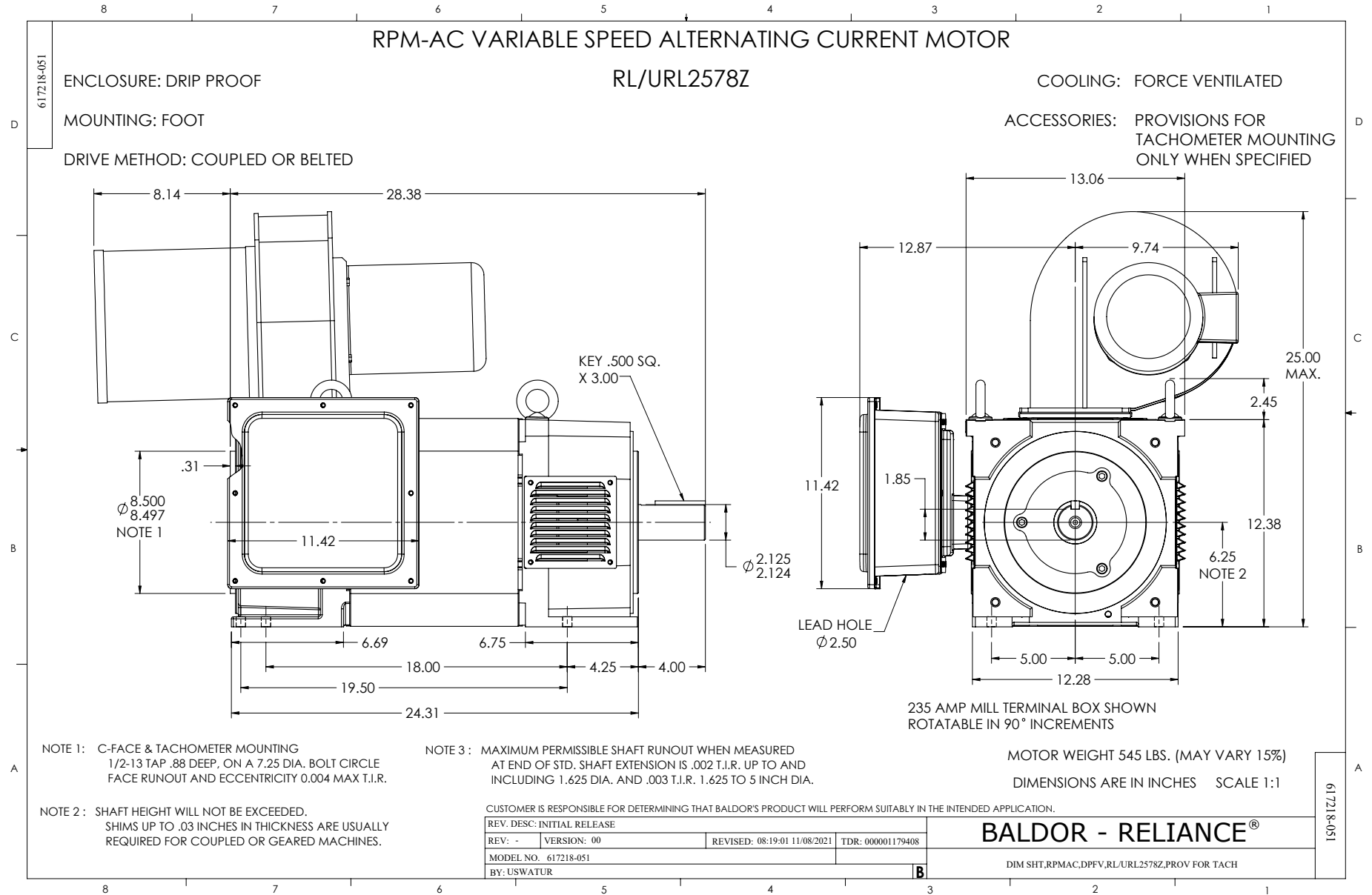
Thermal Device - Winding

Normally Closed Thermostat

Nameplate

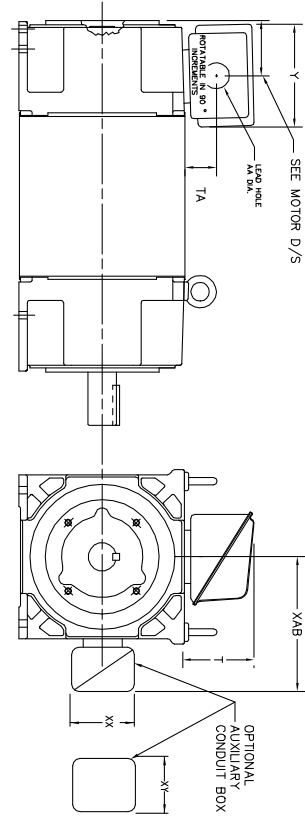
000613006MY

	DUTY	HP	RPM	AMPS	VOLTS	HZ		
	CONT	100	1750	119	460		60	
	CONT	100	2000	118	460		68.5	
CAT.NO.	IDDRPM251004		SPEC. NO.		R25-A000-0363			
SER.NO		FR	RL2578Z	INSUL	H			
PH.	3	MAX SAFE SPEED		5000	AMB.	40	MIN. AMB.	-25
DESIGN NO.	L1821A	TYPE			ENCL.	DPG-FV		
S.F.	1.00		D.E. BRG.		65BC03JPP30A			
ENCL MOD			O.D.E. BRG.		50BC03JPP30A			
	IP23							



INDUSTRIAL ALTERNATING CURRENT MOTORS RPM AC

STEEL, CAST IRON, MILL AND TERMINAL BOARD CONDUIT BOX DIMENSIONS
NEMA FRAMES RL210 thru RL280 and IEC FRAMES RDL132 thru RDL180
NEMA FRAMES FL180 thru FL280 and IEC FRAMES FDL112 thru FDL180



FRAME	TYPE	TERMINAL STRIP	AMPS	C/BOX	Y	TA	T	AA
FL180	STEEL	N	40	706320003A	5.00	1.62	3.00	1.12
FL180	STEEL	Y/N	75	706320003A	6.12	2.38	4.38	1.75/2.00
FL180	STEEL	N	208	706320007A	6.82	2.00	7.00	2.50/3.00
FL180	CAST IRON	Y/N	40	706320004A	5.75	2.38	4.38	1.50/1.75
FL180 & FDL11	MILL	Y	100	706310028A	7.75	2.30	4.40	PC29/PG18
FL210 & RL210	STEEL	N	61	0754520009	6.34	2.00	4.12	1.75
FL210 & RL210	STEEL	N	121	0754520010	7.69	2.38	5.25	1.94
FL210 & RL210	STEEL	N	121	0754520011	7.69	2.38	5.25	1.94
FL210 & RL210	STEEL	N	305	706320016A	9.00	4.12	8.42	4.89
FL210 & RL210	CAST IRON	N	110	075460052B	7.25	2.50	5.25	1.5 TAP
FL210 & RL210	MILL	Y	100	7063100229A	7.75	2.30	4.40	PC29/PG18
FL210 & RL210	MILL	Y	160	706310056A	9.00	3.06	5.40	PC36/PG16
FL210 & RL210	MILL	Y/N	235	706310058B	11.42	4.00	6.72	2.50

FL250 & RL250	STEEL	N	61	0754520009	6.34	2.00	4.12	1.75
FL250 & RL250	STEEL	N	121	0754520011	7.69	2.38	5.25	1.94
FL250 & RL250	STEEL	N	121	0754520012	7.20	2.16	6.24	1.6 TAP
FL250 & RL250	CAST IRON	N	110	075460052B	7.25	2.50	5.25	1.5 TAP
FL250 & RL250	CAST IRON	N	210	706320017A	10.50	4.88	9.00	4.0 TAP
FL250 & RL250	MILL	Y	100	7063100229A	7.75	2.30	4.40	PC29/PG18
FL250 & RL250	MILL	Y	160	706310056A	9.00	3.06	5.40	PC36/PG16
FL250 & RL250	MILL	Y	160	706310058B	9.00	3.06	5.40	PC36/PG16
FL250 & RL250	MILL	Y/N	235	706310057A	11.42	4.00	6.72	2.50
FL250 & RL250	MILL	Y	400	706310063B	14.39	7.43	12.15	BLANK

FL280 & RL280	STEEL	N	160	706320029A	7.25	3.50	7.06	2.50
FL280 & RL280	STEEL	N	305	706320016A	9.00	4.12	8.42	4.89
FL280 & RL280	STEEL	N	500	702565001C	14.62	7.56	12.70	5.00
FL280 & RL280	CAST IRON	N	140	706320012B	9.25	4.81	8.56	3.0 TAP
FL280 & RL280	CAST IRON	N	210	706320015A	10.50	4.88	9.00	4.0 TAP
FL280 & RL280	CAST IRON	N	510	706320014D	15.00	7.56	12.81	5.0 TAP
FL280 & RL280	MILL	Y	100	706310056A	7.75	2.30	4.40	PC29/PG16
FL280 & RL280	MILL	Y	160	706310058B	9.00	3.06	5.40	PC36/PG16
FL280 & RL280	MILL	Y/N	235	706310057A	11.42	4.00	6.72	2.50
FL280 & RL280	MILL	Y	400	706310063B	14.39	7.43	12.15	BLANK

FRAME SIZE	OPTIONAL AUXILIARY CONDUIT BOX DIMENSIONS (MAXIMUM)								
	XAB	XX	XY	PART NUMBER	FRAME SIZE	PART NUMBER			
FL210/FL180/FL280/FL180	7.38	4.25	4.25	602007-26-A	FL210/FL180/FL280/FL180	10.88	8.00	8.00	706310-3-B
FL250/FL180/FL280/FL180	8.44	4.25	4.25	602007-26-A	FL250/FL180/FL280/FL180	11.88	8.00	8.00	706310-3-B
FL280/FL180/FL280/FL180	9.12	4.25	4.25	602007-26-A	FL280/FL180/FL280/FL180	12.62	8.00	8.00	706310-3-B

- (1) 7/8" PIPE TAP
- (2) CUSTOMER TO PROVIDE HOLE PER CONDUIT.
- (3) DIM SA ON 1" DIA DIA W/2

TERMINAL BOX CAN BE ROTATED FOR LEAD INLET AT TOP, SIDES OR BOTTOM
TERMINAL BOX LOCATED ON OPPOSITE SIDE WHEN F-2, V-1, V-4, V-5, V-7,
OR C-1 MOUNTING IS SPECIFIED. BOX LOCATED ON TOP WHEN SPECIFIED.

CUSTOMER IS RESPONSIBLE FOR DETERMINING THAT BALDOR'S PRODUCT WILL PERFORM SUITABLY IN THE INTENDED APPLICATION.

REV. DESC: ADD 706310-637 & 639 BOX	VERSION: 06	TDR: 000001180260
REV. LTR: F	REVISED: 11: 08: 56 10/26/2021	BY: RCGRWM
FILE: \RGG\00003\692		
MTL: -		

BALDOR - RELIANCE®

DIM SHT NEMA RL210-RL280 FL180-FL280 IEC RDL132-RDL180

422927-001



NOTE:
DATA TO BE SIZED
SO THAT IT FITS INTO
MATERIAL DECAL
DIMENSIONS. MAKE
LETTERS & NUMBERS
AS LARGE AS POSSIBLE.

MATERIAL: CERAMATIC DGF-P4
PERMA GRIP ADHESIVE

ALL LETTERS, NUMBERS
AND LINES TO BE BLACK
ON WHITE BACKGROUND.

422927-001

REV. DESC: CHANGE BACKGROUND COLOR FROM GOLD TO WHITE			
REV. LTR: B	VERSION: 02	TDR: 00000788708	
FILE: \RGG\00000\203		REVISED: 08:09:29 03/04/2013	
MTL: -		BY: RGGWT	

BALDOR

EXTERNAL CONNECTION LABEL

SH 1 of 1