

**BALDOR • RELIANCE**

---

# Customer information packet

## IDNRPM18054C

5HP, 1770RPM, 3PH, 60HZ, 1838C, TENV, FT/180T

## Specifications

Enclosure	TENV
Frame	FL1838C
Frame Material	Aluminum
Frequency	60.00 Hz
Output @ Frequency	5.000 HP @ 60 HZ
Phase	3
Synchronous Speed @ Frequency	1800 RPM @ 60 HZ
Voltage @ Frequency	460.0 V @ 60 HZ
Agency Approvals	CCSA US UR
Auxillary Box	No Auxillary Box
Base Indicator	Rigid
Bearing Grease Type	Polyrex EM (-20F +300F)
Current @ Voltage	7.200 A @ 460.0 V
Duty Rating	CONT
Feedback Device	NO FEEDBACK
Frame Prefix	FL
Heater Indicator	No Heater
High Voltage Full Load Amps	7.2 a
Insulation Class	H
Motor Standards	NEMA
Mounting Arrangement	F3
Overall Length	17.87 IN
Product Family	General Industrial
Pulley End Bearing Type	Ball
Pulley Face Code	C-Face
Service Factor	1.00
Shaft Diameter	1.125 IN
Shaft Ground Indicator	No Shaft Grounding
Shaft Rotation	Reversible
Speed	1770 rpm
Thermal Device - Bearing	None

## Part detail

Revision	C
Type	AC
Mech. spec.	
Base	
Status	PRD/A
Elec. spec.	L3221A
Layout	617228-003
Eff. date	01-21-2022
CD Diagram	422927-001
Poles	04
Leads	
Proprietary	False
Created date	04-10-2015

**Thermal Device - Winding**

**Normally Closed Thermostat**

---

**Nameplate**

000613006MY

	DUTY	HP	RPM	AMPS	VOLTS	HZ	
	CONT	5	1770	7.2	460		60
	CONT	5	3540	6.2	460		120
	CONT	5	1770	14.4	230		60
	CONT	5	3540	12.4	230		120
<b>CAT.NO.</b>	IDNRPM18054C		<b>SPEC. NO.</b>		P18T0348		
<b>SER.NO.</b>		<b>FR</b>	FL 1838C	<b>INSUL</b>	H		
<b>PH.</b>	3	<b>MAX SAFE SPEED</b>		7200	<b>AMB.</b>	40	<b>MIN. AMB.</b> -25
<b>DESIGN NO.</b>	L3221A	<b>TYPE</b>			<b>ENCL.</b>	TENV	
<b>S.F.</b>	1.0	<b>D.E. BRG.</b>		45BC02JPP30A			
<b>ENCL MOD</b>		<b>O.D.E. BRG.</b>		35BC02JPP30A			







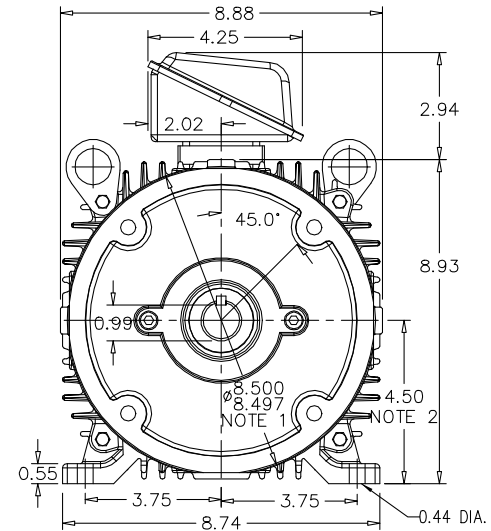
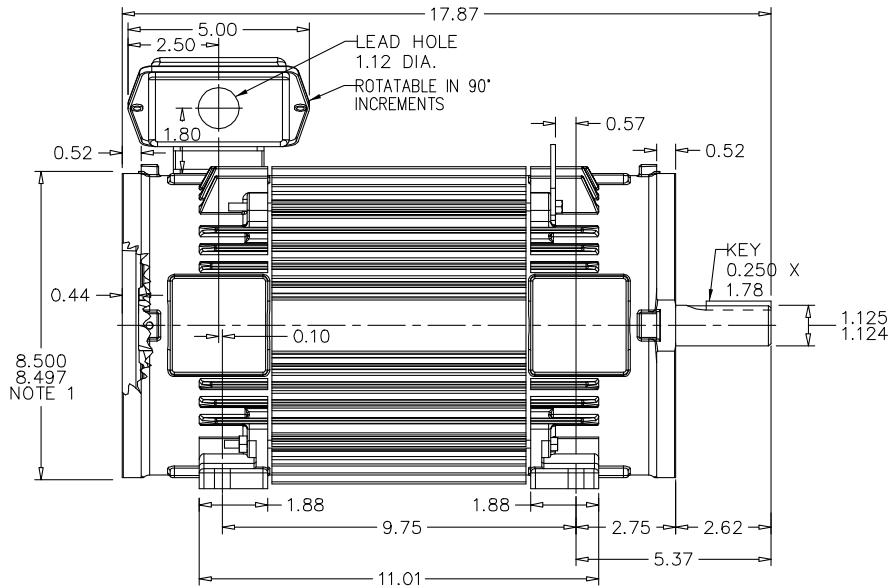
RPM-AC FINNED FRAME VARIABLE SPEED ALTERNATING CURRENT MOTOR  
FL1838C

617228-003

ENCLOSURE: TOTALLY ENCLOSED  
MOUNTING: FOOT / NEMA 180TC C-FACE  
DRIVE METHOD: COUPLED OR BELTED

COOLING: NON-VENTILATED

ACCESSORIES: PROVISIONS FOR TACHOMETER MOUNTING ONLY WHEN SPECIFIED



NOTE 1: C-FACE & TACHOMETER MOUNTING  
1/2-13 TAP, 1.00 DEEP, ON A 7.25 DIA. BOLT CIRCLE  
FACE RUNOUT AND ECCENTRICITY 0.004 MAX. T.I.R.  
NOTE 2: SHAFT HEIGHT WILL NOT BE EXCEEDED  
SHIMS UP TO 0.03 INCHES IN THICKNESS ARE USUALLY  
REQUIRED FOR COUPLED OR GREARED MACHINES

TERMINAL BOX MAY BE LOCATED F1 OR F2 IF SPECIFIED  
40 AMP STEEL TERMINAL BOX SHOWN  
REFER TO 616779-50 FOR SPECIFIED TERMINAL BOX DIMENSIONS  
REFER TO 616779-55 FOR SPECIFIED TACHOMETER DIMENSIONS

MOTOR WEIGHT: 143 LBS. (MAY VARY 15%)  
DIMENSIONS ARE IN INCHES SCALE: 1.00

CUSTOMER IS RESPONSIBLE FOR DETERMINING THAT BALDOR'S PRODUCT WILL PERFORM SUITABLY IN THE INTENDED APPLICATION.

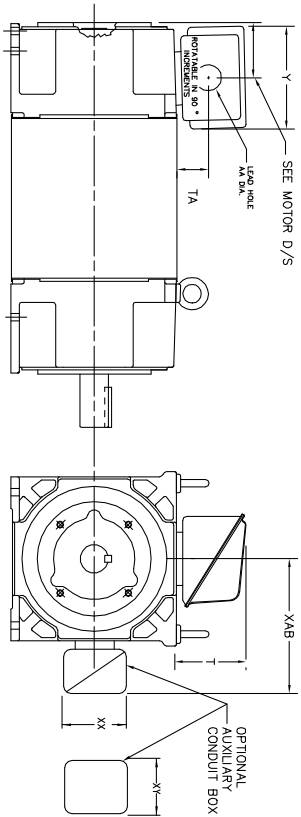
REV. DESC: ADD DIMENSION FROM FOOT HOLE TO END OD SHAFT			<b>BALDOR</b>
REV. LTR: A	VERSION: 01	TDR: 00000892384	
FILE: \RGG\00003\495	REVISED: 12:55:38 02/12/2015	BY: RGGWT	DIM SHT RPM AC TE NON VENT FL1838C FT / 180TC MTG PROV TACH
MTL: -			SH 1 of 1

617228-003



INDUSTRIAL ALTERNATING CURRENT MOTORS  
RPM AC

STEEL, CAST IRON, MILL AND TERMINAL BOARD CONDUIT BOX DIMENSIONS  
NEMA FRAMES RL210 thru RL280 and IEC FRAMES RDL132 thru RDL180  
NEMA FRAMES FL180 thru FL280 and IEC FRAMES FDL112 thru FDL180



FRAME	TYPE	TERMINAL STRIP	AMPS	C/BOX	Y	TA	T	AA
FL180	STEEL	N	40	706320003A	5.00	1.62	3.00	1.12
FL180	STEEL	Y/N	75	706320003A	6.12	2.38	4.38	1.75/2.00
FL180	CAST IRON	N	208	706320007A	6.82	2.00	7.00	2.50/2.00
FL180	CAST IRON	Y/N	400	706320007A	6.75	2.38	4.38	3.0/2.50
FL180 & FDL11	MILL	Y	100	706310028A	7.75	2.30	4.40	PC39/PG16

FL210 & RL210	STEEL	N	61	0754520009	6.34	2.00	4.12	1.75
FL210 & RL210	STEEL	N	121	0754520009	6.34	2.00	4.12	1.75
FL210 & RL210	STEEL	N	305	706320016A	9.00	4.12	8.42	4.89
FL210 & RL210	CAST IRON	N	110	075460052B	7.25	2.50	5.25	1.5 TAP
FL210 & RL210	MILL	Y	100	7063100229A	7.75	2.30	4.40	PC39/PG16
FL210 & RL210	MILL	Y	160	706310056A	9.00	3.06	5.40	PC36/PG16
FL210 & RL210	MILL	Y/N	235	706310056B	11.42	4.00	6.72	2.50

FL250 & RL250	STEEL	N	61	0754520009	6.34	2.00	4.12	1.75
FL250 & RL250	STEEL	N	121	0754520009	6.34	2.00	4.12	1.75
FL250 & RL250	STEEL	N	305	706320016A	9.00	4.12	8.42	4.89
FL250 & RL250	CAST IRON	N	110	075460052B	7.25	2.50	5.25	1.5 TAP
FL250 & RL250	CAST IRON	N	210	706320017A	10.50	4.88	9.00	4.0 TAP
FL250 & RL250	MILL	Y	100	7063100229A	7.75	2.30	4.40	PC39/PG16
FL250 & RL250	MILL	Y	160	706310056A	9.00	3.06	5.40	PC36/PG16
FL250 & RL250	MILL	Y/N	235	706310056B	11.42	4.00	6.72	2.50
FL250 & RL250	MILL	Y	400	706310063B	14.39	7.43	12.15	BLANK

FL280 & RL280	STEEL	N	160	706320029A	7.25	3.50	7.06	2.50
FL280 & RL280	STEEL	N	305	706320016A	9.00	4.12	8.42	4.89
FL280 & RL280	STEEL	N	500	702560010C	14.62	7.56	12.70	5.00
FL280 & RL280	CAST IRON	N	140	706320017B	9.25	4.81	8.56	3.0 TAP
FL280 & RL280	CAST IRON	N	210	706320015A	10.50	4.88	9.00	4.0 TAP
FL280 & RL280	CAST IRON	N	510	706320014D	15.00	7.56	12.81	5.0 TAP
FL280 & RL280	MILL	Y	100	706310056A	7.75	2.30	4.40	PC39/PG16
FL280 & RL280	MILL	Y	160	706310056B	9.00	3.06	5.40	PC36/PG16
FL280 & RL280	MILL	Y/N	235	706310037A	11.42	4.00	6.72	2.50
FL280 & RL280	MILL	Y	400	706310063B	14.39	7.43	12.15	BLANK

FRAME SIZE	OPTIONAL AUXILIARY CONDUIT BOX DIMENSIONS (MAXIMUM)								
	XAB	XX	XY	PART NUMBER	FRAME SIZE	PART NUMBER			
FL180/FL180M/FL180L/FL180	7.38	4.25	4.25	602007-26-A	FL180/FL180M/FL180L/FL180	10.88	8.00	8.00	706310-3-B
FL210/FL210M/FL210L/FL210	8.44	4.25	4.25	602007-26-A	FL210/FL210M/FL210L/FL210	11.88	8.00	8.00	706310-3-B
FL250/FL250M/FL250L/FL250	9.12	4.25	4.25	602007-26-A	FL250/FL250M/FL250L/FL250	12.62	8.00	8.00	706310-3-B

(1) 7/8" PIPE TAP  
(2) 7/8" PIPE TAP  
(3) CUSTOMER TO PROVIDE THE WIRE TYPE CONDUIT.  
(4) 2" DIA. SA OR 1" DIA. DN W/6  
TERMINAL BOX CAN BE ROTATED FOR LEAD INLET AT TOP, SIDES OR BOTTOM  
TERMINAL BOX LOCATED ON OPPOSITE SIDE WHEN F-2, V-1, V-4, V-5, V-7,  
OR C-1 MOUNTING IS SPECIFIED. BOX LOCATED ON TOP WHEN SPECIFIED.

050-677919

CUSTOMER IS RESPONSIBLE FOR DETERMINING THAT BALDOR'S PRODUCT WILL PERFORM SUITABLY IN THE INTENDED APPLICATION.

REV. DESC: ADD 706310-637 & 639 BOX	VERSION: 06	TDR: 000001180260	<b>BALDOR - RELIANCE®</b> DIM SHT NEMA RL210-RL280 FL180-FL280 IEC RDL132-RDL180 SH 1 of 1
REV. LTR: F	REVISED: 11:08:56 10/26/2021	BY: RGRWMM	
FILE: \\RGG\00003\692	MTL: -		

422927-001



NOTE:  
DATA TO BE SIZED  
SO THAT IT FITS INTO  
MATERIAL DECAL  
DIMENSIONS. MAKE  
LETTERS & NUMBERS  
AS LARGE AS POSSIBLE.

MATERIAL: CERAMATIC DGF-P4  
PERMA GRIP ADHESIVE

ALL LETTERS, NUMBERS  
AND LINES TO BE BLACK  
ON WHITE BACKGROUND.

422927-001

REV. DESC: CHANGE BACKGROUND COLOR FROM GOLD TO WHITE		
REV. LTR: B	VERSION: 02	TDR: 00000788708
FILE: \RGG\00000\203	REVISED: 08:09:29 03/04/2013	
MTL: -	BY: RGGWT	

**BALDOR**

EXTERNAL CONNECTION LABEL

SH 1 of 1