

**BALDOR® • RELIANCE™**

---

# Customer information packet

## IDVSM4314T

60HP, 1800RPM, 3PH, 60HZ, 364T, TEFC, FOOT,  
Class - None  
Division - Not Applicable

## Specifications

Enclosure	TEFC
Frame	364T
Frame Material	Iron
Frequency	60.00 Hz 90.00 Hz
Motor Letter Type	Three Phase
Output @ Frequency	60.000 HP @ 60 HZ 60.000 HP @ 90 HZ
Phase	3
Synchronous Speed @ Frequency	3000 RPM @ 90 HZ
Voltage @ Frequency	460.0 V @ 60 HZ 460.0 V @ 90 HZ 230.0 V @ 90 HZ 230.0 V @ 60 HZ
XP Class and Group	None
XP Division	Not Applicable
Agency Approvals	CCSA US
Ambient Temperature	40 °C
Auxillary Box	No Auxillary Box
Base Indicator	Rigid
Bearing Grease Type	Polyrex EM (-20F +300F)
Constant Torque Speed Range	1000:1
Current @ Voltage	71.200 A @ 460.0 V 69.100 A @ 460.0 V 142.000 A @ 230.0 V 138.000 A @ 230.0 V
Design Code	A
Drip Cover	No Drip Cover
Duty Rating	CONT
Feedback Device	NO FEEDBACK
Heater Indicator	No Heater
High Voltage Full Load Amps	69.1 a

## Part detail

Revision	K
Type	AC
Mech. spec.	
Base	
Status	PRD/A
Elec. spec.	A36WG0566
Layout	611740-001-SH1
Eff. date	09-12-2023
CD Diagram	416820-002
Poles	04
Leads	3#4,6#6
Proprietary	False
Created date	10-19-2010

<b>Insulation Class</b>	F
<b>Inverter Code</b>	Inverter Duty
<b>KVA Code</b>	J
<b>Lifting Lugs</b>	No Lifting Lugs
<b>Max Speed</b>	3600 rpm
<b>Motor Lead Quantity/Wire Size</b>	3 @ 4 AWG
<b>Motor Standards</b>	NEMA
<b>Motor Type</b>	A36062M
<b>Mounting Arrangement</b>	F1
<b>Number of Poles</b>	4
<b>Overall Length</b>	33.44 IN
<b>Pulley End Bearing Type</b>	Ball
<b>Pulley Face Code</b>	Standard
<b>Service Factor</b>	1.00
<b>Shaft Ground Indicator</b>	No Shaft Grounding
<b>Shaft Rotation</b>	Reversible
<b>Shaft Slinger Indicator</b>	No Slinger
<b>Speed</b>	1785 rpm 2675 rpm
<b>Speed Code</b>	Single Speed
<b>Starting Method</b>	Direct on line
<b>Thermal Device - Bearing</b>	None
<b>Thermal Device - Winding</b>	Normally Closed Thermostat

**Nameplate**

**000613007HV**

<b>CAT NO</b>	IDVSM4314T	<b>SPEC NO.</b>	P36G3221					
<b>SER.NO.</b>		<b>FRAME</b>	364T					
	<b>HP</b>	<b>RPM</b>	<b>VOLTS</b>	<b>AMPS</b>	<b>HZ</b>	<b>TYPE</b>	<b>P</b>	
<b>BASE</b>	60	1785	230/460	142/71.2	60	SF	1.00	
<b>MAX</b>	60	2675	230/460	138/69.1	90	<b>INSUL.CLASS</b>	F	
<b>DRIVE END BEARING</b>	65BC03J30X	<b>CONSTANT TORQUE</b>		<b>DUTY</b>	CONT	<b>AMB</b>	40	
<b>OPP D.E. BEARING</b>	65BC03J30X	1000 1	<b>ENCL</b>	TEFC	<b>PHASE</b>	3		
<b>DESIGN NO.</b>	A36WG0566-R002	<b>FLUX AMPS</b>	48.6/24.3		<b>VPWM INVERTER READY</b>			
<b>MAX SPEED/RPM</b>	3600	<b>OVERTEMP PROT</b>	2	<b>WK2</b>	14.32	<b>POLES</b>	4	<b>WEIGHT</b>







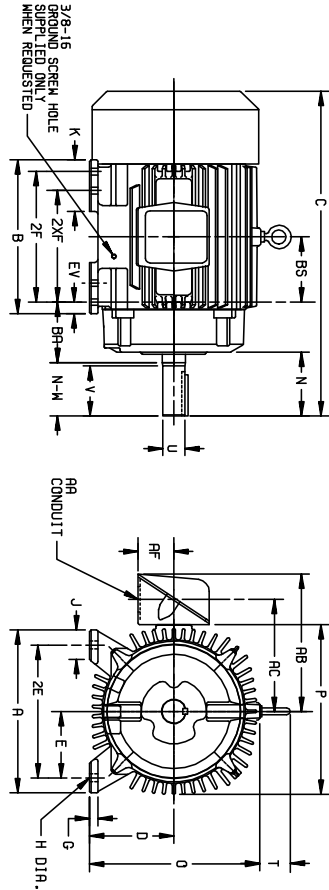
611740-001-SH1

DUTY MASTER ALTERNATING CURRENT MOTORS  
SQUIRREL-CAGE INDUCTION

ENCLOSURE: TOTALLY ENCLOSED  
MOUNTING: FOOT

FRAMES 250T THRU 440T

COOLING: FAN COOLED



DIMENSIONS ARE IN INCHES; SEE SHEET 2 FOR DIMENSIONS IN MILLIMETERS

FRAME SIZE	A	D(2)	E	G	H	J	K	O	P	T	AA	AB	AC	AF	BA	EV
254T-256T	12.50	6.25	5.00	7.5	56	2.50	---	13.25	13.25	2.44	1-1/4	10.75	8.75	2.50	4.25	1.00
284T-296T5	13.75	7.00	5.50	7.5	56	2.50	---	14.75	14.88	2.44	1-1/2	12.75	10.00	3.19	4.75	1.00
324T-326T5	15.50	8.00	6.25	8.8	69	2.75	4.50	16.89	17.00	2.44	2	15.19	11.44	4.25	5.25	1.58
364T-365T5	17.00	9.00	7.00	8.8	69	2.75	3.88	18.50	19.50	2.94	3	18.08	14.00	5.38	5.88	1.58
404T-405T5	19.00	10.00	8.00	11.2	81	3.25	4.62	21.51	22.50	2.94	3	19.51	15.25	5.38	6.62	1.13
444T-445T5	21.00	11.00	9.00	11.2	81	3.25	5.25	23.38	25.25	3.25	3	23.38	18.12	6.50	7.50	1.25

FRAME SIZE	C	BS	B	2F	N	SHAFT AND KEY		WEIGHT LBS. (5)				
						N-W(6) U(3)	V					
254T	24.56	5.00	12.00	---	8.25	4.12	4.00	1.625	3.75	3.75	2.88	3.05
256T	24.56	5.00	12.00	10.00	---	4.12	4.00	1.625	3.75	3.75	2.88	3.15
284T	27.44	5.50	13.00	---	9.50	5.00	4.62	1.875	4.38	5.00	3.25	4.35
284T5	26.06	5.50	13.00	---	9.50	3.82	3.25	1.625	3.00	3.75	1.98	4.35
296T	27.44	5.50	13.00	11.00	---	5.00	4.62	1.875	4.38	5.00	3.25	4.50
296T5	26.06	5.50	13.00	11.00	---	3.82	3.25	1.625	3.00	3.75	1.98	4.50
324T	30.44	6.00	14.75	---	10.50	5.82	5.25	2.125	5.00	5.00	3.88	5.40
324T5	28.94	6.00	14.75	12.00	---	4.12	3.75	1.875	3.50	5.00	3.88	5.40
326T	28.94	6.00	14.75	12.00	---	4.12	3.75	1.875	3.50	5.00	2.00	5.80
326T5	28.94	6.00	14.75	12.00	---	4.12	3.75	1.875	3.50	5.00	2.00	5.80
364T	33.44	6.12	15.00	---	11.25	6.25	5.88	2.375	5.62	6.25	4.25	6.00
364T5	31.31	6.12	15.00	---	11.25	4.12	3.75	1.875	3.50	5.00	2.00	7.94
365T	33.44	6.12	15.00	12.25	---	6.25	5.88	2.375	5.62	6.25	4.25	6.40
365T5	31.31	6.12	15.00	12.25	---	4.12	3.75	1.875	3.50	5.00	2.00	8.34
404T	38.31	6.88	16.00	---	12.25	7.50	7.25	2.875	7.00	7.50	5.62	11.20
404T5	38.31	6.88	16.00	---	12.25	4.25	2.125	4.00	5.00	5.00	2.75	11.11
405T	38.31	6.88	16.00	13.75	---	7.50	7.25	2.875	7.00	7.50	5.62	11.60
405T5	35.31	6.88	16.00	13.75	---	4.50	4.25	2.125	4.00	5.00	2.75	11.51
444T	44.62	8.25	19.00	---	14.50	8.94	8.50	3.375	8.25	8.75	6.88	15.40
444T5	40.88	8.25	19.00	---	14.50	5.19	4.75	2.375	4.50	6.25	3.88	15.24
445T	44.62	8.25	19.00	16.50	---	8.94	8.50	3.375	8.25	8.75	6.88	17.30
445T5	40.88	8.25	19.00	16.50	---	5.19	4.75	2.375	4.50	6.25	3.88	17.14

- (1) SPECIAL DIMENSIONS APPLYING TO THIS ORDER ON THIS LINE.
- (2) "D" VARIES  $\begin{cases} 250T - 320T + .00, -.03. \\ 360T - 440T + .00, -.06. \end{cases}$
- (3) "U" VARIES  $\begin{cases} \text{UP TO 1.625 DIA.} + .0000, -.0005 \\ 1.625 \text{ AND LARGER} + .000, -.001. \end{cases}$
- (4) ALL FRAMES HAVE EIGHT MOUNTING HOLES FOR DUAL MOUNTING.
- (5) MOTOR WEIGHTS MAY VARY BY 15% DEPENDING UPON RATING.
- (6) "N-W" VARIES +.00, -.25.

CONDUIT BOX LOCATED ON OPPOSITE SIDE WHEN F-2-W-1,  
W-4-M-5-M-7, OR C-1 MOUNTING IS SPECIFIED.  
IF MOUNTING CLEARANCE DETAILS ARE REQUIRED, CONSULT  
FACTORY.  
MAXIMUM PERMISSIBLE SHAFT RUNOUT WHEN MEASURED  
AT END OF STD. SHAFT EXTENSION IS .002 T.I.R. UP TO  
AND INCLUDING 1.625 DIA. AND .003 T.I.R. 1.625 DIA.  
TO 5 INCH DIA.

FRAME \_\_\_\_\_ TYPE \_\_\_\_\_ CERTIFIED FOR \_\_\_\_\_  
 ORDER \_\_\_\_\_ ITEM \_\_\_\_\_ HP \_\_\_\_\_ RPM \_\_\_\_\_ APPROVED BY \_\_\_\_\_ PH \_\_\_\_\_ HZ \_\_\_\_\_ VOLTS \_\_\_\_\_  
 RELIANCE SALES ORDER \_\_\_\_\_ DATE \_\_\_\_\_

CUSTOMER IS RESPONSIBLE FOR DETERMINING THAT BALDOR'S PRODUCT WILL PERFORM SUITABLY IN THE INTENDED APPLICATION.

REV. DESC: UPDATE TITLE SHEET 2	VERSION: 02	TDR: 000000498266
REV. LTR: B	FILE: \RAG\00000\167	REVISED: 07: 05: 46 04/29/2009
MTL: -		BY: RAGEC

**Baldor • Dodge • Reliance**

DIM SHEET 250T THRU 440T  
SH 1 of 1

611740-001-SH1



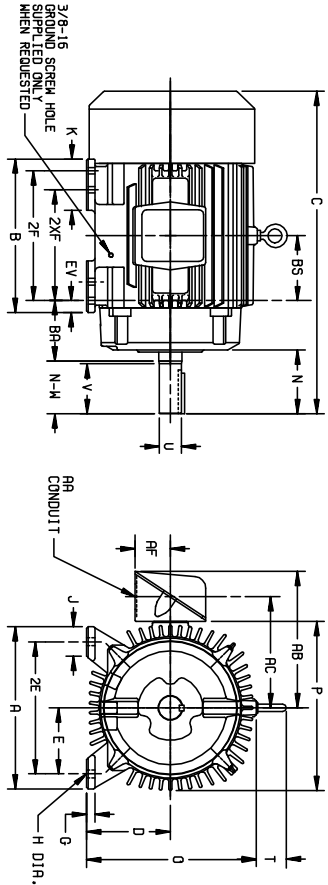
611740-001-SH2

DUTY MASTER ALTERNATING CURRENT MOTORS  
SQUIREL-CAGE INDUCTION

ENCLOSURE: TOTALLY ENCLOSED  
MOUNTING: FOOT

FRAMES 250T THRU 440T

COOLING: FAN COOLED



DIMENSIONS ARE IN MILLIMETERS. SEE SHEET 1 FOR DIMENSIONS IN INCHES.

FRAME	A	D(2)	E	G	H	J	K	O	P	T	STEEL TERMINAL BOX				EV	
254T-256T	317.5	158.8	127.0	19.0	14.2	63.5	---	336.5	336.5	62.0	1-1/4	273.0	222.3	63.5	108.0	25.4
264T-266T	349.2	177.8	139.7	19.0	14.2	63.5	---	374.6	378.0	62.0	1-1/2	333.8	254.0	81.0	120.7	25.4
324T-326T	393.7	203.2	158.8	22.4	17.5	69.9	114.3	423.9	431.8	62.0	2	385.8	290.6	108.0	133.3	35.1
364T-365T	431.8	228.6	177.8	22.4	17.5	69.9	98.6	469.9	495.3	74.7	3	458.7	355.6	136.7	149.4	35.1
404T-405T	482.6	254.0	203.2	28.4	20.6	82.5	117.3	541.3	571.5	74.7	3	490.5	397.3	136.7	168.1	28.7
444T-445T	533.4	279.4	228.6	28.4	20.6	82.5	133.3	593.9	641.3	82.5	3	593.9	460.2	165.1	190.5	31.7

FRAME	C	BS	B	ZF	(4) 2XF	N	N-W(6)	SHAFT AND KEY				LGTH.	WEIGHT	
SIZE	G	BS	B	ZF	(4) 2XF	N	N-W(6)	U(S)	V	SO.	AC	AE	BA	EV
254T	623.8	127.0	304.8	---	209.6	104.6	101.6	41.27	93.3	93.2	73.2	138	138	138
264T	623.8	127.0	304.8	254.0	---	104.6	101.6	41.27	93.3	93.2	73.2	142	142	142
284T	697.0	138.7	330.2	---	241.3	127.0	117.3	47.63	111.3	127.0	82.5	197	197	197
286T	661.9	138.7	330.2	279.4	---	127.0	117.3	47.63	111.3	127.0	82.5	204	204	204
288T	697.0	138.7	330.2	279.4	---	127.0	117.3	47.63	111.3	127.0	82.5	204	204	204
288T	661.9	138.7	330.2	279.4	---	127.0	117.3	47.63	111.3	127.0	82.5	204	204	204
324T	773.2	152.4	374.6	---	286.7	142.7	133.3	53.97	127.0	127.0	98.6	244	244	244
324T	773.2	152.4	374.6	---	286.7	142.7	133.3	53.97	127.0	127.0	98.6	244	244	244
326T	735.1	152.4	374.6	304.8	---	104.6	99.3	47.63	88.9	127.0	80.8	283	283	283
364T	849.4	152.4	381.0	---	285.7	158.8	149.4	60.33	142.7	158.8	108.0	362	362	362
364T	849.4	152.4	381.0	---	285.7	158.8	149.4	60.33	142.7	158.8	108.0	362	362	362
365T	795.3	152.4	381.0	311.1	---	158.8	149.4	60.33	142.7	158.8	108.0	378	378	378
365T	795.3	152.4	381.0	311.1	---	158.8	149.4	60.33	142.7	158.8	108.0	378	378	378
404T	973.1	174.8	406.4	---	311.1	190.5	184.1	73.02	177.8	190.5	142.7	508	508	508
404T	973.1	174.8	406.4	---	311.1	190.5	184.1	73.02	177.8	190.5	142.7	508	508	508
404T	896.9	174.8	406.4	349.2	---	190.5	184.1	73.02	177.8	190.5	142.7	526	526	526
405T	973.1	174.8	406.4	---	311.1	190.5	184.1	73.02	177.8	190.5	142.7	508	508	508
405T	896.9	174.8	406.4	349.2	---	190.5	184.1	73.02	177.8	190.5	142.7	526	526	526
444T	1133.3	209.6	482.6	---	388.3	227.1	215.9	85.12	209.6	222.2	174.8	691	691	691
444T	1133.3	209.6	482.6	---	388.3	227.1	215.9	85.12	209.6	222.2	174.8	691	691	691
445T	1133.3	209.6	482.6	419.1	---	227.1	215.9	85.12	209.6	222.2	174.8	784	784	784
445T	1038.4	209.6	482.6	419.1	---	131.8	120.7	60.33	114.3	158.8	76.2	777	777	777

- (1) SPECIAL DIMENSIONS APPLYING TO THIS ORDER ON THIS LINE.  
CONDUIT BOX LOCATED ON OPPOSITE SIDE WHEN F-2-W-1, W-4-W-5-W-7, OR C-1 MOUNTING IS SPECIFIED.
- (2) "D" VARIES  $\left\{ \begin{array}{l} 250T - 320T +0, -8, \\ 360T - 440T +0, -1.5, \\ \text{UP TO 41.27 DIA.} +0.00, -0.13 \end{array} \right.$   
IF MOUNTING CLEARANCE DETAILS ARE REQUIRED, CONSULT FACTORY.
- (3) "U" VARIES  $\left\{ \begin{array}{l} 41.27 \text{ AND LARGER} +0.00, -0.03 \\ \text{MOUNTING.} \end{array} \right.$   
MAXIMUM PERMISSIBLE SHAFT RUNOUT WHEN MEASURED AT END OF STD. SHAFT EXTENSION IS .05 T.I.R. UP TO AND INCLUDING 41.27 DIA. AND .08 T.I.R. 41.27 DIA. TO 127.00 MILL. DIA.
- (4) ALL FRAMES HAVE EIGHT MOUNTING HOLES FOR DUAL MOUNTING.
- (5) MOTOR WEIGHTS MAY VARY BY 15% DEPENDING UPON RATING.
- (6) "N-W" VARIES +0, -6.4.
- (7) DIMENSIONS ARE IN INCHES.

FRAME \_\_\_\_\_ TYPE \_\_\_\_\_ CERTIFIED FOR \_\_\_\_\_  
 ORDER \_\_\_\_\_ ITEM \_\_\_\_\_ HP \_\_\_\_\_ RPM \_\_\_\_\_ PH \_\_\_\_\_ HZ \_\_\_\_\_ VOLTS \_\_\_\_\_  
 RELIANCE SALES ORDER \_\_\_\_\_ APPROVED BY \_\_\_\_\_ DATE \_\_\_\_\_

CUSTOMER IS RESPONSIBLE FOR DETERMINING THAT BALDOR'S PRODUCT WILL PERFORM SUITABLY IN THE INTENDED APPLICATION.

REV. DESC: UPDATE TITLE	TDR: 000000498266
REV. LTR: B	VERSION: 02
FILE: \RAG\00000\168	REVISED: 14:03:30 04/28/2009
MTL: -	BY: RAGEC

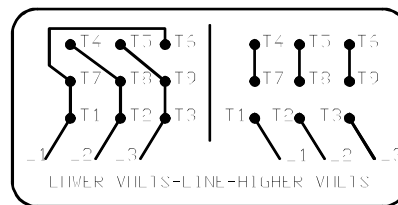
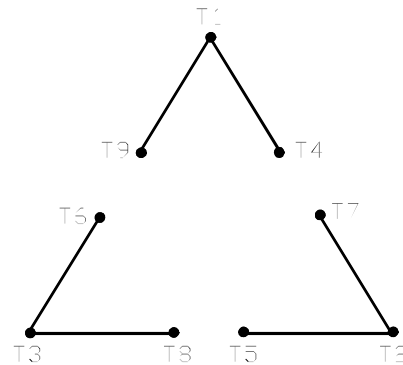
Baldor • Dodge • Reliance

DIM SHEET 250T THRU 440T METRIC  
SH 1 of 1

611740-001-SH2

416820-002

A-C MOTOR  
 CONNECTION DIAGRAM  
 STANDARD 9 LEAD DELTA-CONNECTED



(N.P. 1575-B)

416820-002

REV. DESC: FONT CHANGE FOR PDF SEARCHABLE		
REV. LTR: A	VERSION: 01	TDR: 000001009382
FILE: \MGA\00000\661	REVISED: 02:46:19 02/13/2020	BY: MGHMTT
MTL: -	© □	

**BALDOR - RELIANCE®**

CONN DIAG - STANDARD 9 LEAD, DELTA-CONNECTED

SH 1 of 1