

BALDOR • RELIANCE

Customer information packet

VHECP4107T

25HP, 3520RPM, 3PH, 60HZ, 284HP, 0954M, TEFC

Class - None

Division - Not Applicable

Copyright © All product information within this document is subject to ABB Motors and Mechanical Inc. copyright © protection, unless otherwise noted.

9/14/2023 2:25:02 PM

Specifications

Enclosure	TEFC
Frame	284HP
Frame Material	Iron
Frequency	60.00 Hz
Motor Letter Type	Three Phase
Output @ Frequency	25.000 HP @ 60 HZ
Phase	3
Synchronous Speed @ Frequency	3600 RPM @ 60 HZ
Voltage @ Frequency	460.0 V @ 60 HZ 230.0 V @ 60 HZ
XP Class and Group	None
XP Division	Not Applicable
Agency Approvals	CSA CSA EEV UR
Ambient Temperature	40 °C
Auxillary Box	No Auxillary Box
Auxillary Box Lead Termination	None
Base Indicator	No Mounting
Bearing Grease Type	Polyrex EM (-20F +300F)
Blower	None
Current @ Voltage	56.000 A @ 230.0 V 64.000 A @ 208.0 V 28.000 A @ 460.0 V
Design Code	A
Drip Cover	Drip Cover
Duty Rating	CONT
Efficiency @ 100% Load	92.4 %
Electrically Isolated Bearing	Not Electrically Isolated
Feedback Device	NO FEEDBACK
Front Face Code	Standard
Front Shaft Indicator	None

Part detail

Revision	AG
Type	AC
Mech. spec.	09G614
Base	
Status	PRD/A
Elec. spec.	09WGY357
Layout	09LYG614
Eff. date	07-17-2023
CD Diagram	CD0180
Poles	02
Leads	9#10
Proprietary	False
Created date	01-01-0001

Heater Indicator	No Heater
High Voltage Full Load Amps	28.0 a
Insulation Class	F
Inverter Code	Inverter Ready
KVA Code	J
Lifting Lugs	Vertical Lifting Lugs
Locked Bearing Indicator	Locked Bearing
Motor Lead Exit	Ko Box
Motor Lead Quantity/Wire Size	9 @ 10 AWG
Motor Lead Termination	Flying Leads
Motor Standards	NEMA
Motor Type	0950M
Mounting Arrangement	F1
Number of Poles	2
Overall Length	25.72 IN
Power Factor	91
Product Family	Super-E Chemical Processing
Pulley End Bearing Type	Ball
Pulley Face Code	P-Base
Pulley Shaft Indicator	P-Base Groove & Key
Rodent Screen	None
Service Factor	1.15
Shaft Diameter	1.125 IN
Shaft Extension Location	Pulley End
Shaft Ground Indicator	No Shaft Grounding
Shaft Rotation	Reversible
Shaft Slinger Indicator	Shaft Slinger
Speed	3530 rpm
Speed Code	Single Speed
Starting Method	Direct on line
Thermal Device - Bearing	None
Thermal Device - Winding	None
Vibration Sensor Indicator	No Vibration Sensor
Winding Thermal 1	None

Winding Thermal 2

None

Nameplate

NP1260									
CAT.NO.	VHECP4107T								
SPEC.	09G614Y357								
HP	25								
VOLTS	230/460								
AMP	56/28								
RPM	3530								
FRAME	284HP	HZ	60	PH	3				
SER.F.	1.15	CODE	J	DES	A	CL	F		
NEMA-NOM-EFF	92.4	PF	91						
RATING	40C AMB-CONT								
CC	010A								
DE	6311	ODE	6208						
ENCL	TEFC	SN							

AC Induction Motor Performance Data

Record # 1971

Typical performance - not guaranteed values

Winding: 09WGY357-R001		Type: 0950M		Enclosure: TEFC	
Nameplate Data			460 V, 60 Hz: High Voltage Connection		
Rated Output (HP)	25	Full Load Torque	37.2 LB-FT		
Volts	230/460	Start Configuration	direct on line		
Full Load Amps	56/28	Breakdown Torque	139 LB-FT		
R.P.M.	3530	Pull-up Torque	67.2 LB-FT		
Hz	60 Phase	3	Locked-rotor Torque	78.3 LB-FT	
NEMA Design Code	A KVA Code	J	Starting Current	236 A	
Service Factor (S.F.)	1.15	No-load Current	7.8 A		
NEMA Nom. Eff.	92.4 Power Factor	91	Line-line Res. @ 25°C	0.286 Ω	
Rating - Duty	40C AMB-CONT		Temp. Rise @ Rated Load	64°C	
S.F. Amps			Temp. Rise @ S.F. Load	78°C	
			Locked-rotor Power Factor	27.3	
			Rotor inertia	1.28 LB-FT ²	

Load Characteristics 460 V, 60 Hz, 25 HP

% of Rated Load	25	50	75	100	125	150	S.F.
Power Factor	62	82	89	91	92	92	92
Efficiency	89.9	93	93.5	93.2	92.6	91.7	92.8
Speed	3583	3566	3549	3531	3512	3492	3520
Line amperes	10.45	15.33	21.15	27.5	34.3	41.5	31.6

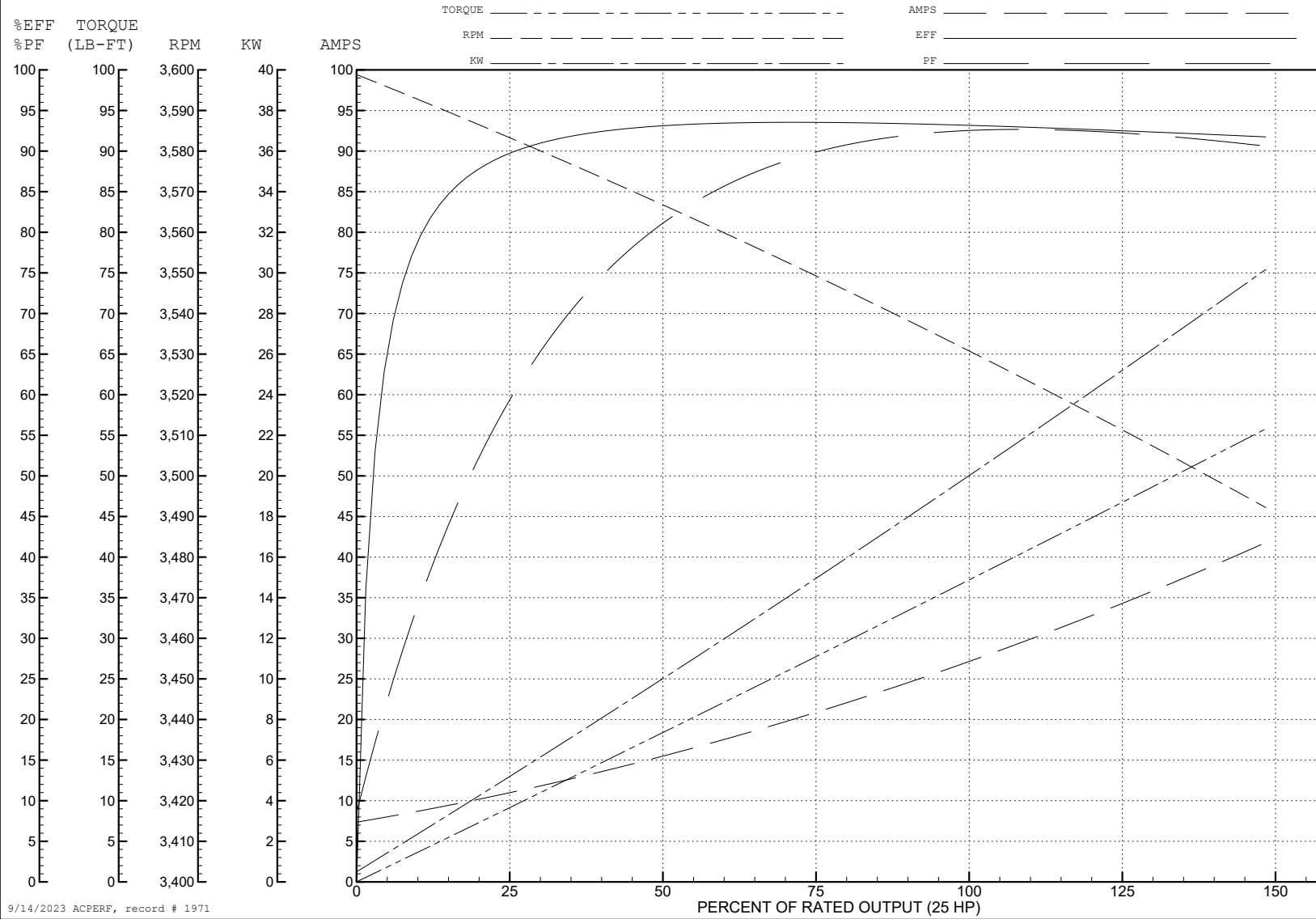
ABB Motors and Mechanical Inc.

WINDING # 09WGY357

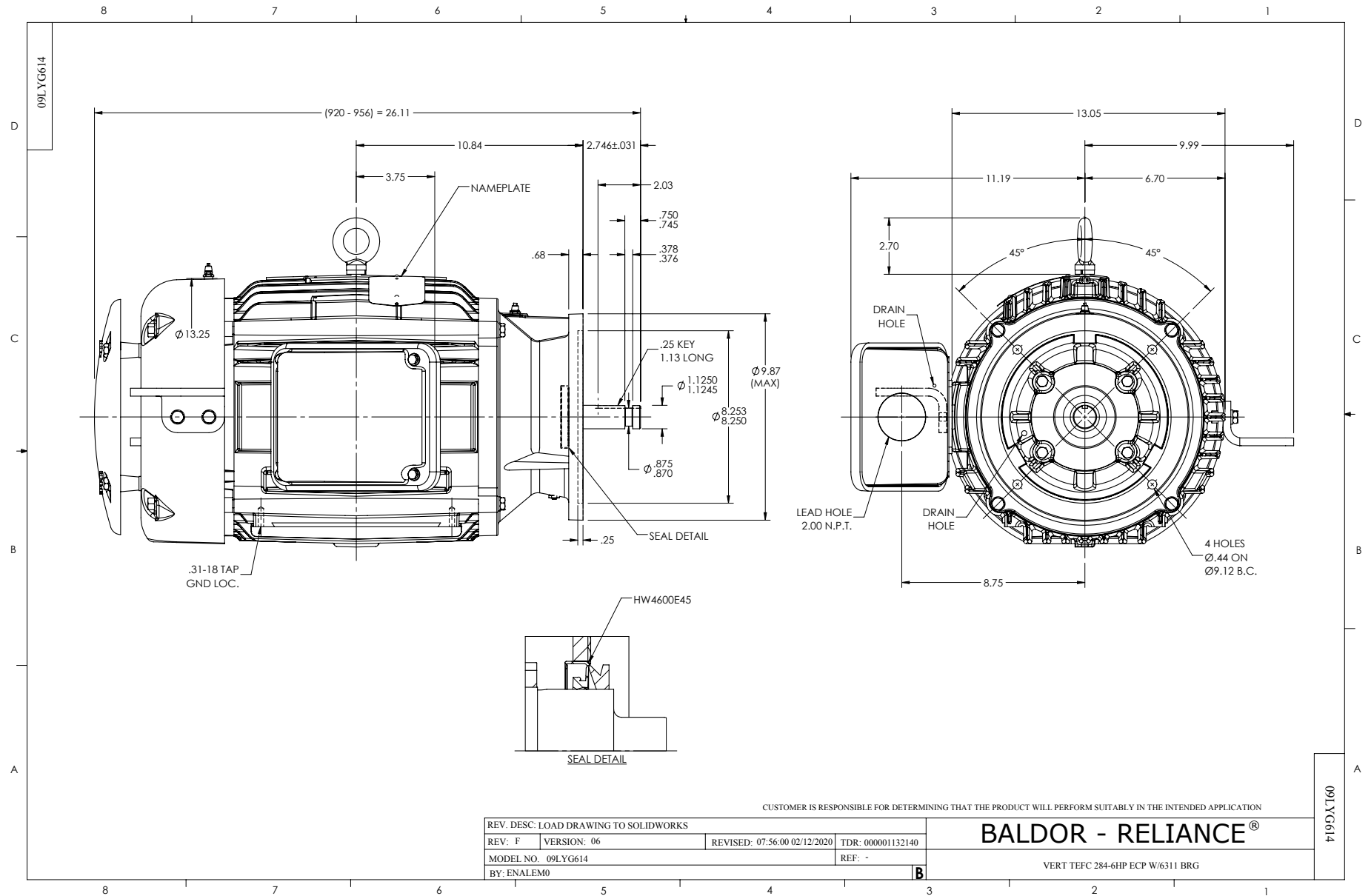
Typical performance - not guaranteed values.

25 HP 3 PH 60 HZ 3530 RPM 460 V 0950M

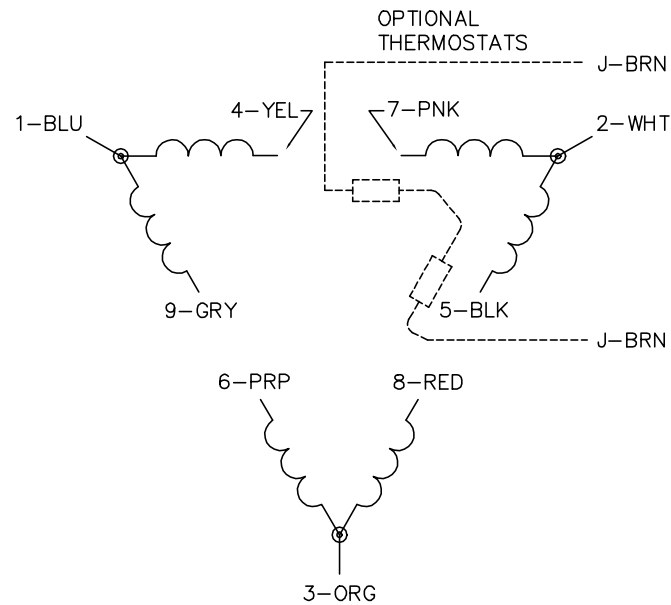
TORQUES (LB-FT): PO=139 PU=67.2 LR=78.3 LRA=236



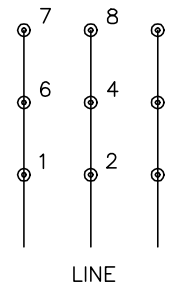
9/14/2023 ACPERF, record # 1971



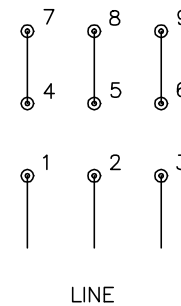
CD0180



LOW VOLTAGE
(2D)



HIGH VOLTAGE
(1D)



NOTES:

1. INTERCHANGE ANY TWO LINE LEADS TO REVERSE ROTATION.
2. OPTIONAL THERMOSTATS ARE PROVIDED WHEN SPECIFIED.
3. ACTUAL NUMBER OF INTERNAL PARALLEL CIRCUITS MAY BE A MULTIPLE OF THOSE SHOWN ABOVE.
4. LEAD COLORS ARE OPTIONAL. LEADS MUST ALWAYS BE NUMBERED AS SHOWN.

CD0180

REV. DESC: ADD CLASS CONN00000007		
REV. LTR: D	VERSION: 01	TDR: 000001099922
FILE: \AAA\00005\148	REVISED: 10: 25: 29 02/19/2019	BY: ENBRIRO
MTL: -	© □	

BALDOR - RELIANCE®

3PH, DV, 9 LEADS, DELTA CONNECTION

SH 1 of 1