



Customer information packet

VM3539

.5HP, 1140RPM, 3PH, 60HZ, 56C, 3418M, TEFC, F1

Class - None

Division - Not Applicable

Specifications

Enclosure	TEFC
Frame	56C
Frame Material	Steel
Frequency	60.00 Hz
Motor Letter Type	Three Phase
Output @ Frequency	.500 HP @ 60 HZ
Phase	3
Synchronous Speed @ Frequency	1200 RPM @ 60 HZ
Voltage @ Frequency	230.0 V @ 60 HZ 460.0 V @ 60 HZ
XP Class and Group	None
XP Division	Not Applicable
Agency Approvals	UR CSA
Ambient Temperature	40 °C
Auxillary Box	No Auxillary Box
Auxillary Box Lead Termination	None
Base Indicator	No Mounting
Bearing Grease Type	Polyrex EM (-20F +300F)
Blower	None
Current @ Voltage	1.200 A @ 460.0 V 2.400 A @ 230.0 V 2.700 A @ 208.0 V
Design Code	B
Drip Cover	No Drip Cover
Duty Rating	CONT
Efficiency @ 100% Load	72.0 %
Electrically Isolated Bearing	Not Electrically Isolated
Feedback Device	NO FEEDBACK
Front Face Code	Standard
Front Shaft Indicator	None
Heater Indicator	No Heater

Part detail

Revision	AD
Type	AC
Mech. spec.	34A063
Base	
Status	PRD/A
Elec. spec.	34WG5884
Layout	34LYA063
Eff. date	06-29-2018
CD Diagram	CD0005
Poles	06
Leads	9#18
Proprietary	False
Created date	01-01-0001

High Voltage Full Load Amps	1.2 a
Insulation Class	B
Inverter Code	Not Inverter
KVA Code	J
Lifting Lugs	No Lifting Lugs
Locked Bearing Indicator	Locked Bearing
Motor Lead Exit	Ko Box
Motor Lead Quantity/Wire Size	9 @ 18 AWG
Motor Lead Termination	Flying Leads
Motor Standards	NEMA
Motor Type	3418M
Mounting Arrangement	F1
Number of Poles	6
Overall Length	11.35 IN
Power Factor	55
Product Family	General Purpose
Pulley End Bearing Type	Ball
Pulley Face Code	C-Face
Pulley Shaft Indicator	Standard
Rodent Screen	None
RoHS Status	ROHS COMPLIANT
Service Factor	1.25
Shaft Diameter	0.625 IN
Shaft Extension Location	Pulley End
Shaft Ground Indicator	No Shaft Grounding
Shaft Rotation	Reversible
Shaft Slinger Indicator	No Slinger
Speed	1140 rpm
Speed Code	Single Speed
Starting Method	Direct on line
Thermal Device - Bearing	None
Thermal Device - Winding	None
Vibration Sensor Indicator	No Vibration Sensor
Winding Thermal 1	None

Winding Thermal 2

None

Nameplate

NP1256L										
CAT.NO.	VM3539									
SPEC.	34A63-5884									
HP	.5									
VOLTS	230/460									
AMP	2.4/1.2									
RPM	1140									
FRAME	56C		HZ	60		PH	3			
SER.F.	1.25	CODE	J	DES	B	CLASS	B			
NEMA-NOM-EFF	72	PF	55							
RATING	40C AMB-CONT									
CC		USABLE AT 208V						N/A		
DE	6203	ODE	6203							
ENCL	TEFC	SN								
	SFA 2.6/1.3									

AC Induction Motor Performance Data

Record # 6835

Typical performance - not guaranteed values

Winding: 34WG5884-R001		Type: 3418M		Enclosure: TEFC	
Nameplate Data			460 V, 60 Hz: High Voltage Connection		
Rated Output (HP)	.5		Full Load Torque	2.3 LB-FT	
Volts	230/460		Start Configuration	direct on line	
Full Load Amps	2.4/1.2		Breakdown Torque	7.7 LB-FT	
R.P.M.	1140		Pull-up Torque	6 LB-FT	
Hz	60 Phase	3	Locked-rotor Torque	6.2 LB-FT	
NEMA Design Code	B KVA Code	J	Starting Current	5 A	
Service Factor (S.F.)	1.25		No-load Current	0.95 A	
NEMA Nom. Eff.	72 Power Factor	55	Line-line Res. @ 25°C	39.6 Ω	
Rating - Duty	40C AMB-CONT		Temp. Rise @ Rated Load	63°C	
S.F. Amps	2.6/1.3		Temp. Rise @ S.F. Load	77°C	

Load Characteristics 460 V, 60 Hz, 0.5 HP

% of Rated Load	25	50	75	100	125	150	S.F.
Power Factor	20	34	45	55	62	68	62
Efficiency	48	63	67	72	72	71	72
Speed	1185	1170	1155	1140	1120	1100	1120
Line amperes	0.95	1	1.1	1.2	1.3	1.5	1.3

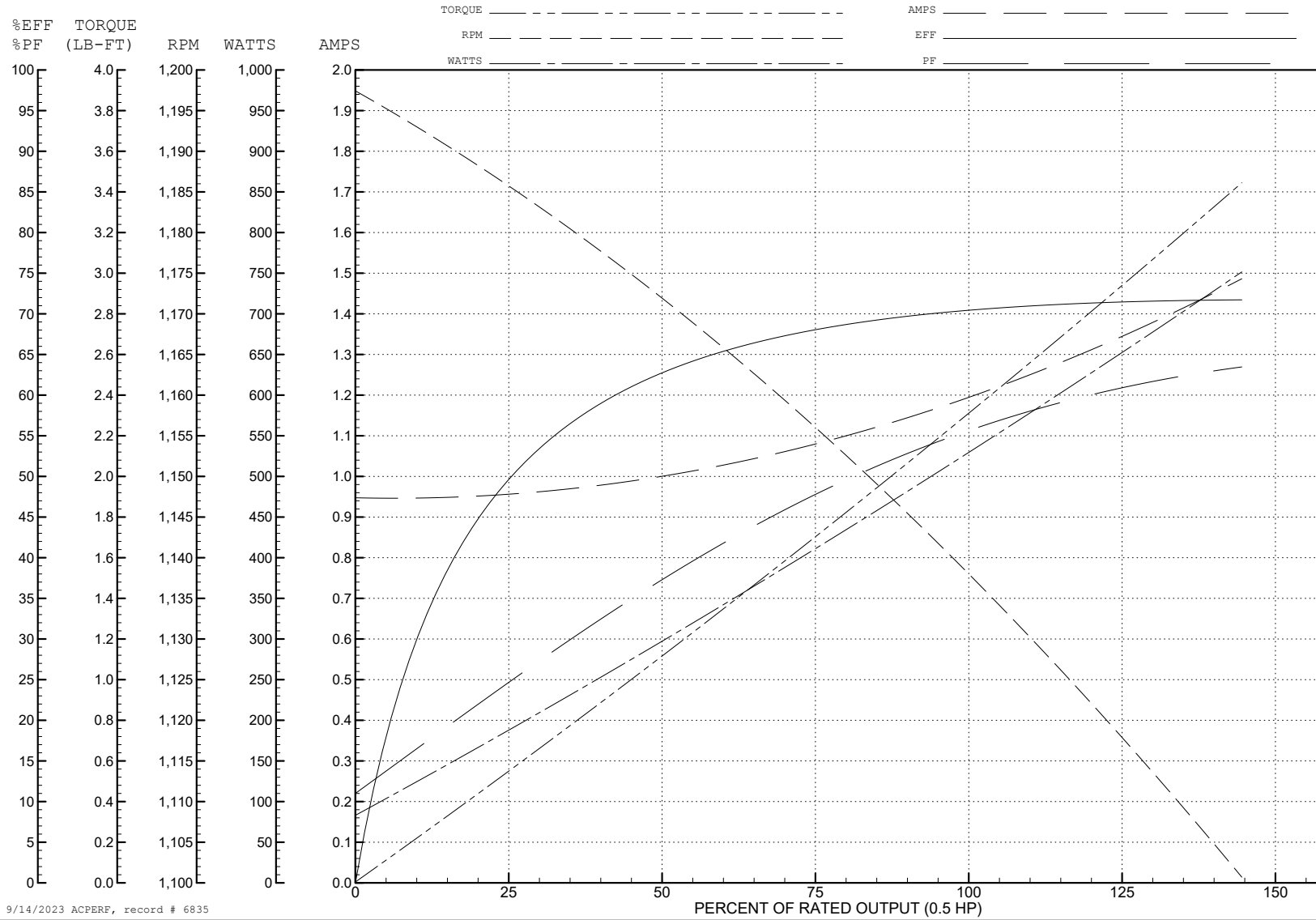
ABB Motors and Mechanical Inc.

WINDING # 34WG5884

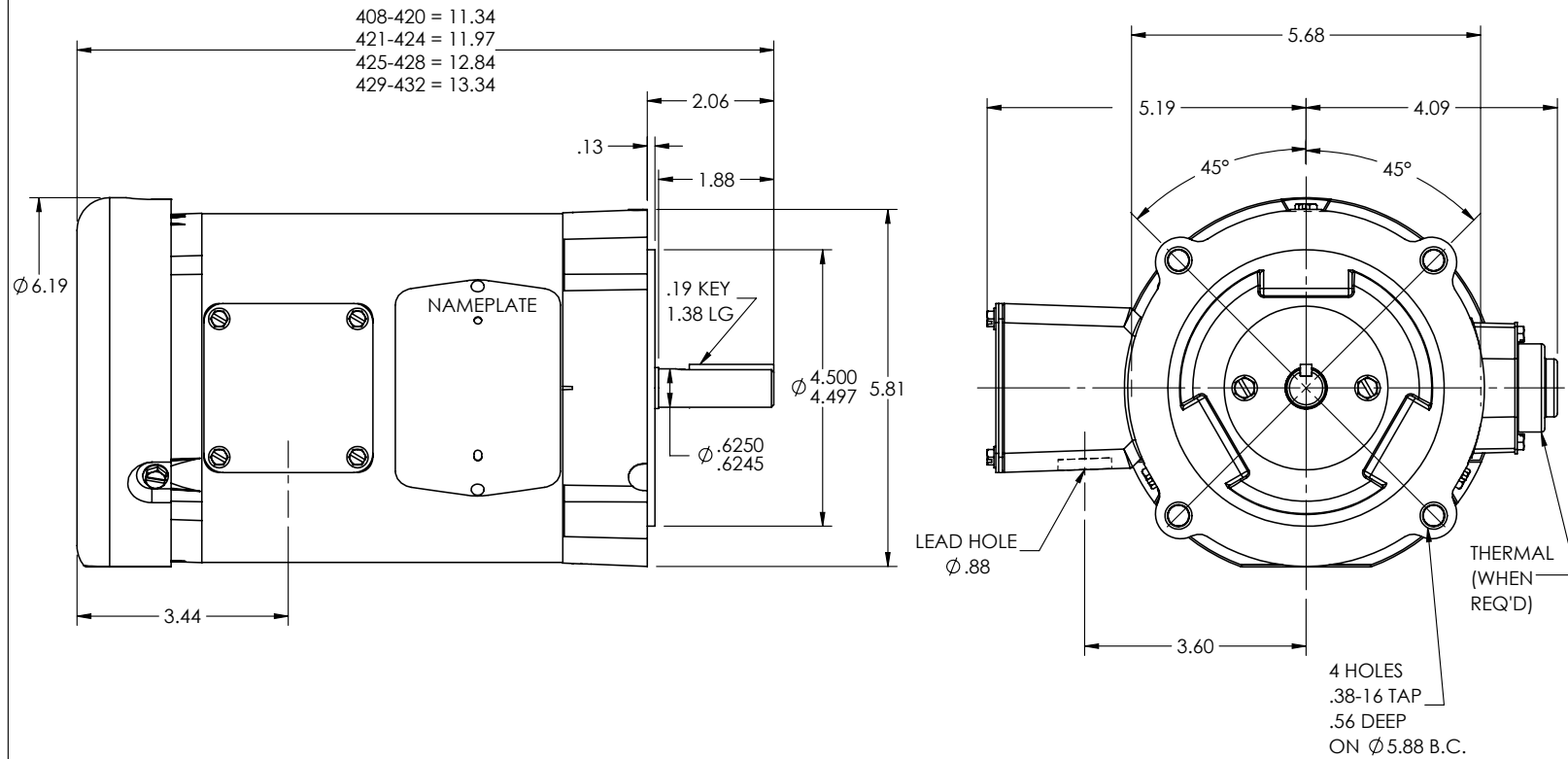
0.5 HP 3 PH 60 HZ 1140 RPM 460 V 3418M

Typical performance - not guaranteed values.

TORQUES (LB-FT): PO=7.7 PU=6 LR=6.2 LRA=5



34LYA063



CUSTOMER IS RESPONSIBLE FOR DETERMINING THAT THE PRODUCT WILL PERFORM SUITABLY IN THE INTENDED APPLICATION

REV. DESC: LOAD TO SOLIDWORKS			
REV: N	VERSION: 04	REVISED: 01:33:59 09/21/2022	TDR: 000001194274
34LYA063		MODEL NO. 34LYA063	REF: -
		BY: ENFRAJ0	

BALDOR - RELIANCE®

STD VERT 34M NEMA 56C TEFC

34LYA063

CD0005



LOW VOLTAGE
(2Y)



LINE

HIGH VOLTAGE
(1Y)



LINE

NOTES:

1. INTERCHANGE ANY TWO LINE LEADS TO REVERSE ROTATION.
2. OPTIONAL THERMOSTATS ARE PROVIDED WHEN SPECIFIED.
3. ACTUAL NUMBER OF INTERNAL PARALLEL CIRCUITS MAY BE A MULTIPLE OF THOSE SHOWN ABOVE.
4. LEAD COLORS ARE OPTIONAL. LEADS MUST ALWAYS BE NUMBERED AS SHOWN.

CD0005

REV. DESC: REVISE TO SHOW OPTIONAL COLORS			
REV. LTR: E	BY: JLP	REVISED: 01/19/99 10:15	TDR: 0171435
S00000		FILE: AAA00005140	MDL: -
		MTL: -	

BALDOR ELECTRIC Co.

3PH, DV, 9 LEADS