

BALDOR • RELIANCE

Customer information packet

ZDBRPM18154C

15HP, 1750RPM, 3PH, 60HZ, 1844C, TEBC, FOOT

Specifications

Enclosure	TEAO
Frame	FL1844CZ
Frame Material	Aluminum
Frequency	60.00 Hz
Output @ Frequency	15.000 HP @ 60 HZ
Phase	3
Synchronous Speed @ Frequency	1800 RPM @ 60 HZ
Voltage @ Frequency	460.0 V @ 60 HZ
Agency Approvals	CCSA US
Auxillary Box	No Auxillary Box
Base Indicator	Rigid
Bearing Grease Type	Polyrex EM (-20F +300F)
Current @ Voltage	21.000 A @ 460.0 V
Duty Rating	CONT
Feedback Device	TACHOMETER
Frame Prefix	FL
Heater Indicator	No Heater
High Voltage Full Load Amps	21.0 a
Insulation Class	H
Motor Standards	NEMA
Mounting Arrangement	F3
Overall Length	23.89 IN
Product Family	General Industrial
Pulley End Bearing Type	Ball
Pulley Face Code	C-Face
Service Factor	1.00
Shaft Diameter	1.625 IN
Shaft Ground Indicator	No Shaft Grounding
Shaft Rotation	Reversible
Speed	1760 rpm
Thermal Device - Bearing	None
Thermal Device - Winding	Normally Closed Thermostat

Part detail

Revision	B
Type	AC
Mech. spec.	
Base	
Status	PRD/A
Elec. spec.	L3220A
Layout	617232-329
Eff. date	12-21-2021
CD Diagram	422927-001
Poles	04
Leads	
Proprietary	False
Created date	04-10-2015

Nameplate

000613006MY

	DUTY	HP	RPM	AMPS	VOLTS	HZ			
	CONT	15	1760	21	460	60			
	CONT	15	3660	19	460	125			
CAT.NO.	ZDBRPM18154C		SPEC. NO.		P18T0372				
SER.NO			FR	FL 1844CZ	INSUL	H			
PH.	3	MAX SAFE SPEED		7200	AMB.	40	MIN. AMB.	-25	
DESIGN NO.	L3220A		TYPE		ENCL.	TEAO-BC			
S.F.	1.0		D.E. BRG.	45BC02JPP30A					
ENCL MOD			O.D.E. BRG.	35BC02JPP30A					

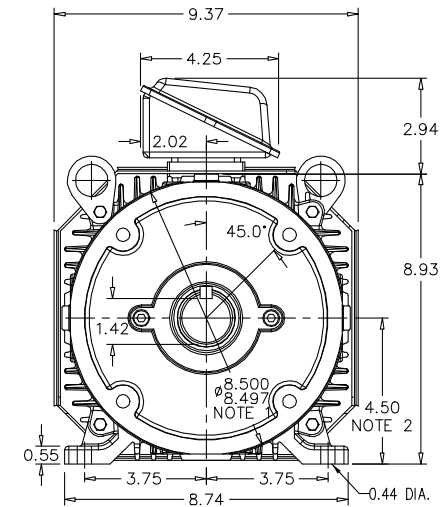
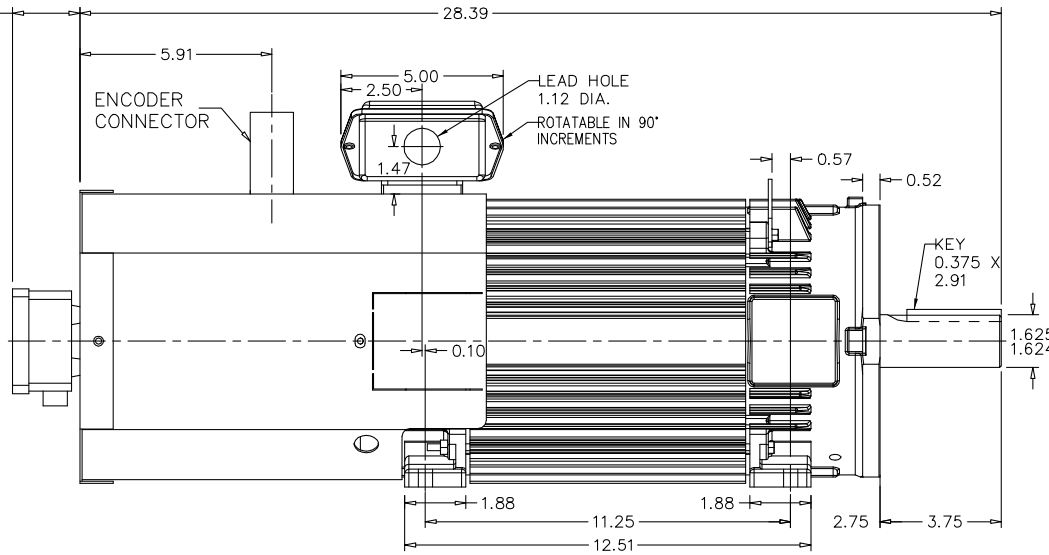
617252-329

RPM-AC FINNED FRAME VARIABLE SPEED ALTERNATING CURRENT MOTOR
FL1844CZ

ENCLOSURE: TOTALLY ENCLOSED
MOUNTING: FOOT / NEMA 250TC C-FACE
DRIVE METHOD: COUPLED OR BELTED

COOLING: BLOWER COOLED
ACCESSORIES: ENCODER

2.07
MIN.
AIR
SPACE



NOTE 1: C-FACE & TACHOMETER MOUNTING
1/2-13 TAP, 1.00 DEEP, ON A 7.25 DIA. BOLT CIRCLE
FACE RUNOUT AND ECCENTRICITY 0.004 MAX. T.I.R.

NOTE 2: SHAFT HEIGHT WILL NOT BE EXCEEDED
SHIMS UP TO 0.03 INCHES IN THICKNESS ARE USUALLY
REQUIRED FOR COUPLED OR GREARED MACHINES

TERMINAL BOX MAY BE LOCATED F1 OR F2 IF SPECIFIED
40 AMP STEEL TERMINAL BOX SHOWN
REFER TO 616779-50 FOR SPECIFIED TERMINAL BOX DIMENSIONS

MOTOR WEIGHT: 180 LBS. (MAY VARY 15%)
DIMENSIONS ARE IN INCHES SCALE: 1.00

CUSTOMER IS RESPONSIBLE FOR DETERMINING THAT THIS PRODUCT WILL PERFORM SUITABLY IN THE INTENDED APPLICATION.

REV. DESC: CHANGE TO GENERIC CONNECTOR AND ENCODER		
REV. LTR: B	VERSION: 02	TDR: 00000984829
FILE: \RGG\00025\784	REVISED: 09:17:50 06/27/2016	BY: RGGWT
MTL: -		

BALDOR

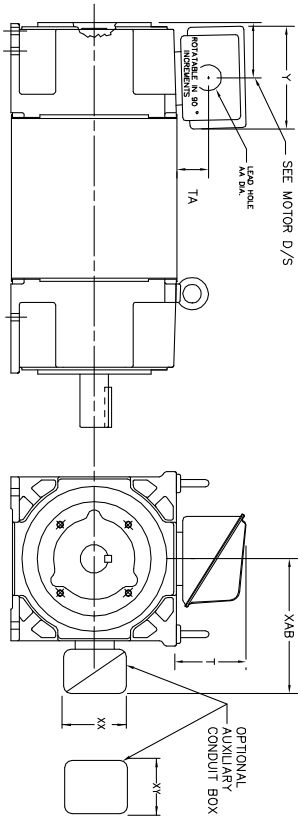
DIM SHT,RPMAC,TEBC,FL1844CZ,ENCODER

SH 1 of 1

617252-329

INDUSTRIAL ALTERNATING CURRENT MOTORS
RPM AC

STEEL, CAST IRON, MILL AND TERMINAL BOARD CONDUIT BOX DIMENSIONS
NEMA FRAMES RL210 thru RL280 and IEC FRAMES RDL132 thru RDL180
NEMA FRAMES FL180 thru FL280 and IEC FRAMES FDL112 thru FDL180



FRAME	TYPE	TERMINAL STRIP	AMPS	C/BOX	Y	TA	T	AA
FL180	STEEL	N	40	706320003A	5.00	1.62	3.00	1.12
FL180	STEEL	Y/N	75	706320003A	6.12	2.38	4.38	1.75/2.00
FL180	CAST IRON	N	208	706320007A	6.82	2.00	7.00	2.50/3.00
FL180	CAST IRON	Y/N	400	706320007A	6.75	2.38	4.38	3.00/3.50
FL180 & FDL11	MILL	Y	100	706310028A	7.75	2.30	4.40	PC29/PG16
FL210 & RL210	STEEL	N	61	0754520009	6.34	2.00	4.12	1.75
FL210 & RL210	STEEL	N	121	0754520009	7.25	2.38	4.50	1.94
FL210 & RL210	STEEL	N	305	706320016A	9.00	4.12	8.44	4.89
FL210 & RL210	CAST IRON	N	110	075460052B	7.25	2.50	5.25	1.5 TAP
FL210 & RL210	MILL	Y	100	7063100229A	7.75	2.30	4.40	PC29/PG16
FL210 & RL210	MILL	Y	160	706310056A	9.00	3.06	5.40	PC36/PG16
FL210 & RL210	MILL	Y/N	235	706310056B	11.42	4.00	6.72	2.50
FL250 & RL250	STEEL	N	61	0754520009	6.34	2.00	4.12	1.75
FL250 & RL250	STEEL	N	121	0754520009	7.69	2.38	5.25	1.94
FL250 & RL250	STEEL	N	305	706320016A	9.00	4.12	8.44	4.89
FL250 & RL250	CAST IRON	N	110	075460052B	7.25	2.50	5.25	1.5 TAP
FL250 & RL250	CAST IRON	N	210	706320017A	10.50	4.88	9.00	4.0 TAP
FL250 & RL250	MILL	Y	100	7063100229A	7.75	2.30	4.40	PC29/PG16
FL250 & RL250	MILL	Y	160	706310056A	9.00	3.06	5.40	PC36/PG16
FL250 & RL250	MILL	Y/N	235	706310056B	11.42	4.00	6.72	2.50
FL250 & RL250	MILL	Y	400	706310063B	14.39	7.43	12.15	BLANK
FL280 & RL280	STEEL	N	160	706310056B	9.00	3.06	5.40	PC36/PG16
FL280 & RL280	STEEL	N	305	706320016A	11.42	4.00	6.72	2.50
FL280 & RL280	STEEL	N	500	706320017A	14.62	7.56	12.70	5.00
FL280 & RL280	CAST IRON	N	140	706320012B	9.25	4.81	8.56	3.0 TAP
FL280 & RL280	CAST IRON	N	210	706320015A	10.50	4.88	9.00	4.0 TAP
FL280 & RL280	CAST IRON	N	510	706320014D	15.00	7.56	12.81	5.0 TAP
FL280 & RL280	MILL	Y	100	706310056A	7.75	2.30	4.40	PC29/PG16
FL280 & RL280	MILL	Y	160	706310056B	9.00	3.06	5.40	PC36/PG16
FL280 & RL280	MILL	Y/N	235	706310037A	11.42	4.00	6.72	2.50
FL280 & RL280	MILL	Y	400	706310063B	14.39	7.43	12.15	BLANK

FRAME SIZE	OPTIONAL AUXILIARY CONDUIT BOX DIMENSIONS (MAXIMUM)					
	XAB	XX	XY	PART NUMBER	FRAME SIZE	PART NUMBER
FL180/FL180M/FL180L	7.38	4.25	6.02007-26-A	FL180/FL180M/FL180L	10.88	8.00
FL210/FL210M/FL210L	8.44	4.25	6.02007-26-A	FL210/FL210M/FL210L	11.88	8.00
FL250/FL250M/FL250L	9.12	4.25	6.02007-26-A	FL250/FL250M/FL250L	11.88	8.00
FL280/FL280M/FL280L	9.12	4.25	6.02007-26-A	FL280/FL280M/FL280L	12.62	8.00

- (1) 7/8" PIPE TAP
- (2) CUSTOMER TO PROVIDE HOLE PER CONDUIT.
- (3) DIM SA ON 1" DIA DIA W/6

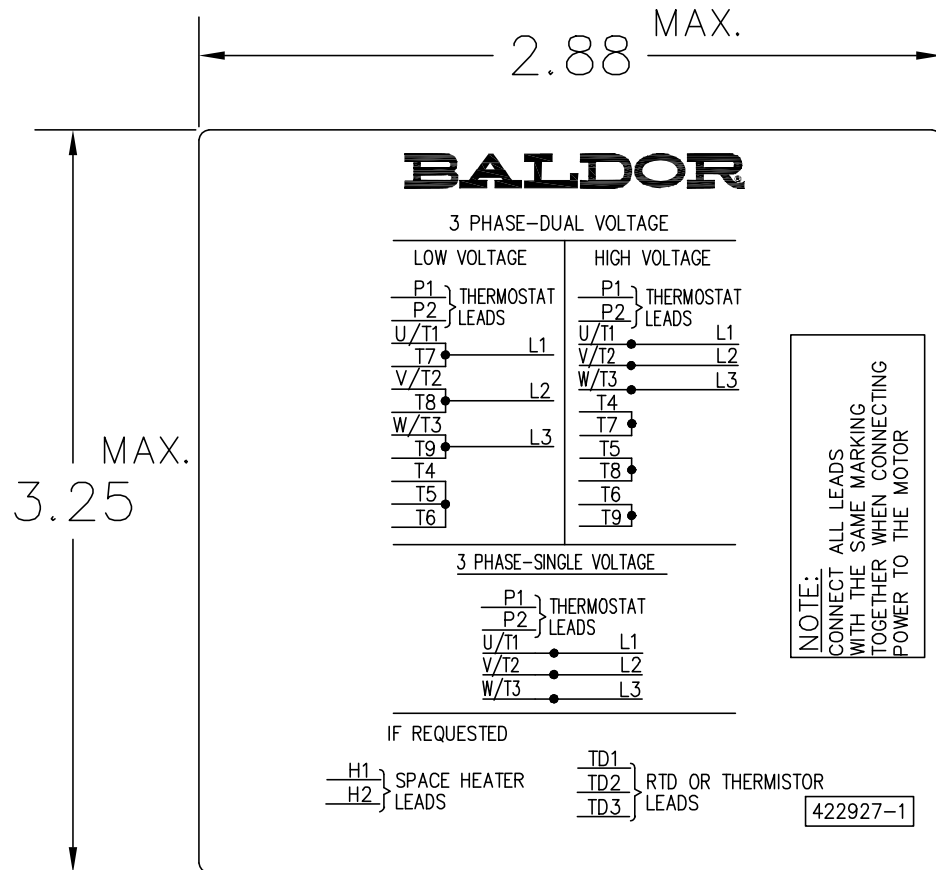
TERMINAL BOX CAN BE ROTATED FOR LEAD INLET AT TOP, SIDES OR BOTTOM.
TERMINAL BOX LOCATED ON OPPOSITE SIDE WHEN F-2, V-1, V-4, V-5, V-7,
OR C-1 MOUNTING IS SPECIFIED. BOX LOCATED ON TOP WHEN SPECIFIED.

CUSTOMER IS RESPONSIBLE FOR DETERMINING THAT BALDOR'S PRODUCT WILL PERFORM SUITABLY IN THE INTENDED APPLICATION.

REV. DESC: ADD 706310-637 & 639 BOX	VERSION: 06	TDR: 000001180260
REV. LTR: F	REVISED: 11: 08: 56 10/26/2021	BY: RCGRWM
FILE: \RGG\00003\692		
MTL: -		

BALDOR - RELIANCE®
DIM SHT NEMA RL210-RL280 FL180-FL280 IEC RDL132-RDL180
SH 1 of 1

422927-001



NOTE:
DATA TO BE SIZED
SO THAT IT FITS INTO
MATERIAL DECAL
DIMENSIONS. MAKE
LETTERS & NUMBERS
AS LARGE AS POSSIBLE.

MATERIAL: CERAMATIC DGF-P4
PERMA GRIP ADHESIVE

ALL LETTERS, NUMBERS
AND LINES TO BE BLACK
ON WHITE BACKGROUND.

NOTE:
CONNECT ALL LEADS
WITH THE SAME MARKING
TOGETHER WHEN CONNECTING
POWER TO THE MOTOR

422927-1

422927-001

REV. DESC: CHANGE BACKGROUND COLOR FROM GOLD TO WHITE		
REV. LTR: B	VERSION: 02	TDR: 00000788708
FILE: \RGG\00000\203	REVISED: 08:09:29 03/04/2013	
MTL: -	BY: RGGWT	

BALDOR

EXTERNAL CONNECTION LABEL

SH 1 of 1