

BALDOR • RELIANCE

Customer information packet

ZDBRPM18204C

20HP, 1750RPM, 3PH, 60HZ, 1852C, TEBC, FOOT

Specifications

Enclosure	TEAO
Frame	FL1852C
Frame Material	Aluminum
Frequency	60.00 Hz
Output @ Frequency	20.000 HP @ 60 HZ
Phase	3
Synchronous Speed @ Frequency	1800 RPM @ 60 HZ
Voltage @ Frequency	460.0 V @ 60 HZ
Agency Approvals	CCSA US
Auxillary Box	No Auxillary Box
Base Indicator	Rigid
Bearing Grease Type	No Grease
Current @ Voltage	27.000 A @ 460.0 V
Duty Rating	CONT
Feedback Device	TACHOMETER
Frame Prefix	FL
Heater Indicator	No Heater
High Voltage Full Load Amps	27.0 a
Insulation Class	H
Motor Standards	NEMA
Mounting Arrangement	F3
Overall Length	27.96 IN
Product Family	General Industrial
Pulley End Bearing Type	Ball
Pulley Face Code	C-Face
Service Factor	1.00
Shaft Diameter	1.625 IN
Shaft Ground Indicator	No Shaft Grounding
Shaft Rotation	Reversible
Speed	1755 rpm
Thermal Device - Bearing	None
Thermal Device - Winding	Normally Closed Thermostat

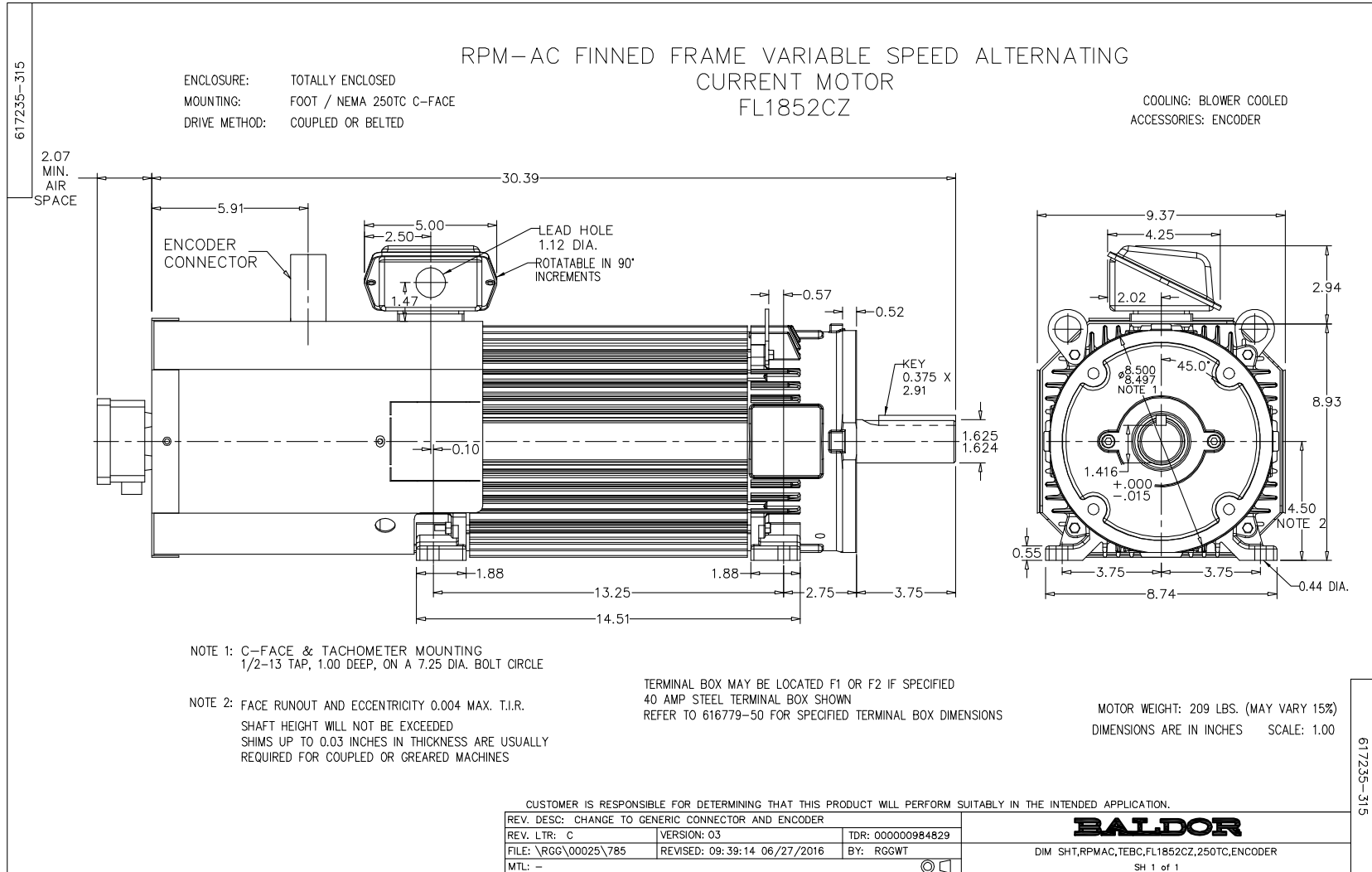
Part detail

Revision	B
Type	AC
Mech. spec.	
Base	
Status	PRD/A
Elec. spec.	L3218A
Layout	617235-315
Eff. date	12-21-2021
CD Diagram	422927-001
Poles	04
Leads	
Proprietary	False
Created date	04-10-2015

Nameplate

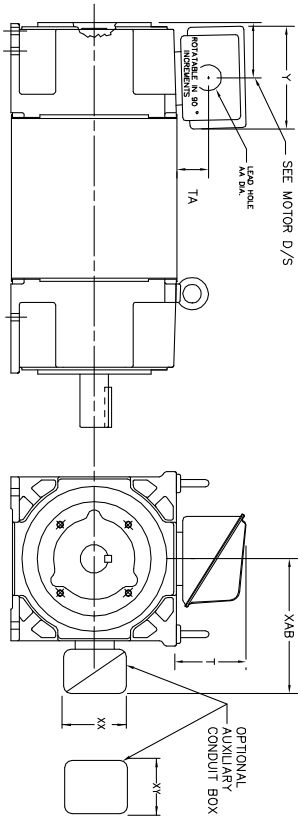
000613006MY

	DUTY	HP	RPM	AMPS	VOLTS	HZ			
	CONT	20	1755	27	460		60		
	CONT	20	3565	25	460		122		
CAT.NO.	ZDBRPM18204C		SPEC. NO.		P18T0373				
SER.NO			FR	FL 1852CZ	INSUL	H			
PH.	3	MAX SAFE SPEED		7200	AMB.	40	MIN. AMB.	-25	
DESIGN NO.	L3218A		TYPE		ENCL.	TEAO-BC			
S.F.	1.0		D.E. BRG.	45BC02JPP30A					
ENCL MOD			O.D.E. BRG.	35BC02JPP30A					



INDUSTRIAL ALTERNATING CURRENT MOTORS
RPM AC

STEEL, CAST IRON, MILL AND TERMINAL BOARD CONDUIT BOX DIMENSIONS
NEMA FRAMES RL210 thru RL280 and IEC FRAMES RDL132 thru RDL180
NEMA FRAMES FL180 thru FL280 and IEC FRAMES FDL112 thru FDL180



FRAME	TYPE	TERMINAL STRIP	AMPS	C/BOX	Y	TA	T	AA
FL180	STEEL	N	40	706320003A	5.00	1.62	3.00	1.12
FL180	STEEL	N	75	706320003A	6.12	2.38	4.38	1.75/2.00
FL180	STEEL	N	208	706320007A	6.72	2.00	7.00	2.50/2.00
FL180	CAST IRON	N	208	706320007A	6.72	2.38	4.38	1.50/1.75
FL180 & FDL11	MILL	Y	100	706310028A	7.75	2.30	4.40	PC29/PG16
FL210 & RL210	STEEL	N	61	0754520009	6.34	2.00	4.12	1.75
FL210 & RL210	STEEL	N	121	0754520009	7.69	2.38	5.25	1.94
FL210 & RL210	STEEL	N	305	706320016A	9.00	4.12	8.44	4.89
FL210 & RL210	CAST IRON	N	110	075460052B	7.25	2.50	5.25	1.5 TAP
FL210 & RL210	MILL	Y	100	7063100229A	7.75	2.30	4.40	PC29/PG16
FL210 & RL210	MILL	Y	160	706310056A	9.00	3.06	5.40	PC36/PG16
FL210 & RL210	MILL	Y/N	235	706310056B	11.42	4.00	6.72	2.50
FL250 & RL250	STEEL	N	61	0754520009	6.34	2.00	4.12	1.75
FL250 & RL250	STEEL	N	121	0754520009	7.69	2.38	5.25	1.94
FL250 & RL250	CAST IRON	N	110	075460052B	7.25	2.50	5.25	1.5 TAP
FL250 & RL250	CAST IRON	N	210	706320016A	9.00	4.88	9.00	4.0 TAP
FL250 & RL250	MILL	Y	100	7063100229A	7.75	2.30	4.40	PC29/PG16
FL250 & RL250	MILL	Y	160	706310056B	9.00	3.06	5.40	PC36/PG16
FL250 & RL250	MILL	Y/N	235	706310056B	11.42	4.00	6.72	2.50
FL250 & RL250	MILL	Y	400	706310063B	14.39	7.43	12.15	BLANK

FRAME	TYPE	TERMINAL STRIP	AMPS	C/BOX	Y	TA	T	AA
FL280 & RL280	STEEL	N	160	706310056B	7.25	3.50	7.06	2.50
FL280 & RL280	STEEL	N	305	706320016A	9.00	4.88	9.00	4.0 TAP
FL280 & RL280	STEEL	N	500	702560010C	14.62	7.56	12.70	5.00
FL280 & RL280	CAST IRON	N	140	706320012B	9.25	4.81	8.56	3.0 TAP
FL280 & RL280	CAST IRON	N	210	706320015A	10.50	4.88	9.00	4.0 TAP
FL280 & RL280	CAST IRON	N	510	706320014D	15.00	7.56	12.81	5.0 TAP
FL280 & RL280	MILL	Y	100	706310056A	7.75	2.30	4.40	PC29/PG16
FL280 & RL280	MILL	Y	160	706310056B	9.00	3.06	5.40	PC36/PG16
FL280 & RL280	MILL	Y/N	235	706310057A	11.42	4.00	6.72	2.50
FL280 & RL280	MILL	Y	400	706310063B	14.39	7.43	12.15	BLANK

FRAME SIZE	OPTIONAL AUXILIARY CONDUIT BOX DIMENSIONS (MAXIMUM)							
	XAB	XX	XY	FRAME SIZE	XAB	XX	XY	FRAME SIZE
FL107/FL120/FL210/FL132	7.38	4.25	4.25	602007-26-A	10.88	8.00	8.00	706310-3-B
FL250/FL160/FL250/FL180	8.44	4.25	4.25	602007-26-A	11.88	8.00	8.00	706310-3-B
FL280/FL180/FL280/FL180	9.12	4.25	4.25	602007-26-A	12.62	8.00	8.00	706310-3-B

(1) 7/8" PIPE TAP
(2) 7/8" PIPE TAP
(3) CUSTOMER TO PROVIDE THE WIRE TYPE CONDUIT.
(4) 2" DIA. SA OR 1" DIA. DN W/2"

TERMINAL BOX CAN BE ROTATED FOR LEAD INLET AT TOP, SIDES OR BOTTOM.
TERMINAL BOX LOCATED ON OPPOSITE SIDE WHEN F-2, V-1, V-4, V-5, V-7,
OR C-1 MOUNTING IS SPECIFIED. BOX LOCATED ON TOP WHEN SPECIFIED.

050-677919

CUSTOMER IS RESPONSIBLE FOR DETERMINING THAT BALDOR'S PRODUCT WILL PERFORM SUITABLY IN THE INTENDED APPLICATION.

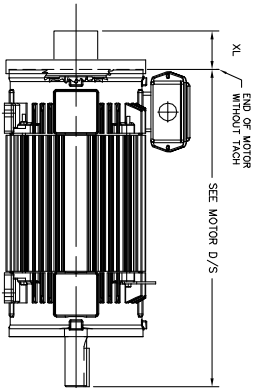
REV. DESC: ADD 706310-637 & 639 BOX	VERSION: 06	TDR: 000001180260	BALDOR - RELIANCE®
REV. LTR: F	REVISED: 11: 08: 56 10/26/2021	BY: RCGRWM	
FILE: \RGG\00003\692			DIM SHT NEMA RL210-RL280 FL180-FL280 IEC RDL132-RDL180
MTL: -			SH 1 of 1

RPM AC TACHOMETER DIMENSIONS
NEMA FRAMES FL180 thru FL440 and IEC FRAMES FDL112 thru FDL280
DIMENSIONS ARE IN INCHES(mm)

DPV, DPSV, TEPV, TESV, TENV & TEAO-PB
IC06, IC17, IC37, IC410, & IC416-PB

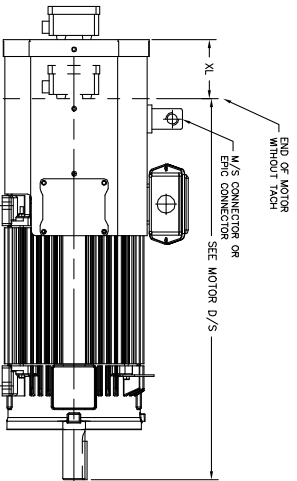
616779-055

TACH MODEL	XL Inches(mm)	LBS.
BEL DR DYNAPAR HS35	2.88 (74)	5
DYNAPAR H20	7.50 (191)MAX	10
NDRHSTAR HS35M	3.31 (84)	10
NDRHSTAR ST67	2.88 (74)	5
DYNAPAR HS6	10.56 (268)	40
AVTRON M3 DR M4	3.62 (92)	10
TAMAGAMA TSS013(X17)	6.00 (152)	10
NDRHSTAR ST56	2.88 (74)	5
NDRHSTAR ST85	2.00 (51)	5
BEL T89D	10.19 (259)	18
TAMAGAMA TSS2151	6.44 (164)	15
BEL T823	7.50 (191)	15
DYNAPAR H20	2.00 (50.8)	5
DYNAPAR H25	12.88 (327)	10
STEGMANN SRM25	7.25 (184.4)	10
HEIDENHAIN EDW425	3.00 (76.2)	10
AVTRON HS35M	2.5 (63.5)	5
HEIDENHAIN ERN480	4.19 (106.4)	5
DYNAPAR H425	5.00 (76.2)	5
DYNAPAR H425	7.00 (177.8)	10
DYNAPAR H42	3.62 (92.1)	5
AVTRON M255	2.54 (64.5)	9
AVTRON AV850	2.54 (64.5)	9
AVTRON AV756	4.50 (115)	15
HS308	3.30 (84)	5
HS325	3.30 (84)	2
NDRHSTAR R18	3.25 (83)	15
DYNAPAR H4625	5.88 (150)	10
AVTRON AV485	9.50 (241)	18
AVTRON AV32	1.93 (49)	7
DYNAPAR RH25	3.80 (97)	1.6
AVTRON AV95	2.40 (61.5)	3

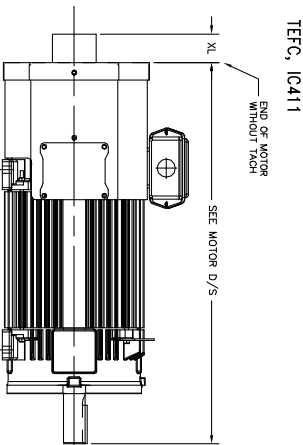


TEAO-BC, IC416-BC
EXCLUDES NEMA FRAMES FL320 THRU FL440
AND
IEC FRAMES FDL200 THRU FDL280

TACH MODEL	XL Inches(mm)	LBS.
BEL DR DYNAPAR HS35	4.50 (115)	10
DYNAPAR H20	4.50 (115)	15
AVTRON M3 DR M4	4.50 (115)	10
NDRHSTAR HS35M	4.50 (115)	15
NDRHSTAR ST56	4.50 (115)	10
NDRHSTAR ST67	4.50 (115)	10
NDRHSTAR ST85	4.50 (115)	5
TAMAGAMA TSS008 TSS013	4.50 (115)	10
DYNAPAR H20	4.50 (115)	15
STEGMANN SRM25	4.50 (115)	10
STEGMANN SRM50	4.50 (115)	3
HE5D & HE5E	4.50 (115)	15
AVTRON HS35M	4.50 (115)	10
AVTRON AV85	4.50 (115)	10
AVTRON M56	4.50 (115)	5
AVTRON AV67	4.50 (115)	10
HS308	4.50 (115)	5
TSS014	4.50 (115)	10
AVTRON HS45	4.50 (115)	15
DYNAPAR HST38M	4.50 (115)	15
AVTRON AV32	4.50 (115)	7
AVTRON AV950	4.50 (115)	9



TACH MODEL	XL Inches(mm)	LBS.
BEL HS35	2.88 (74)	7
NDRHSTAR HS35M	3.31 (84)	10
DYNAPAR H20	3.75 (95)	15
DYNAPAR HS35 HS398	2.88 (74)	7
H20(X17)	9.75 (248)	35
EDW45	7.90 (201)	35
AVTRON HS35M	4.19 (106)	2
STEGMANN SRM50	3.75 (95)	1
DYNAPAR H20	2.00 (51)	1
NDRHSTAR HS35	2.81 (71)	2
NDRHSTAR HS398	3.30 (84)	5
AVTRON AV92	1.93 (49)	.7



CUSTOMER IS RESPONSIBLE FOR DETERMINING THAT BALDOR'S PRODUCT WILL PERFORM SUITABLY IN THE INTENDED APPLICATION.

REV. DESC: ADD AV85	VERSION: 25	TDR: 00000111552
REV. LTR: AA	REVISED: 03:54:15 06/26/2019	BY: RGRWMM
FILE: \\RGG\00003\694		
MTL: -		

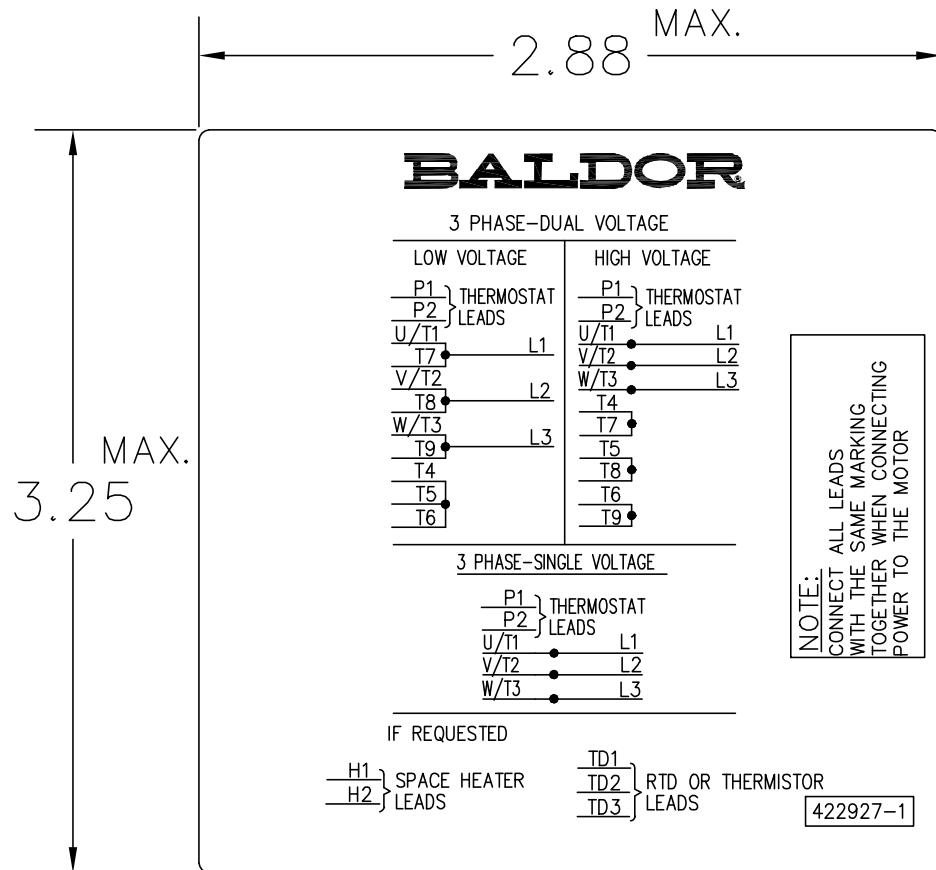
BALDOR - RELIANCE®

DIM SHT TACH DIM NEMA FL180 - FL440 IEC FDL112 - FDL280

SH 1 of 1

550-677919

422927-001



NOTE:
DATA TO BE SIZED
SO THAT IT FITS INTO
MATERIAL DECAL
DIMENSIONS. MAKE
LETTERS & NUMBERS
AS LARGE AS POSSIBLE.

MATERIAL: CERAMATIC DGF-P4
PERMA GRIP ADHESIVE

ALL LETTERS, NUMBERS
AND LINES TO BE BLACK
ON WHITE BACKGROUND.

NOTE:
CONNECT ALL LEADS
WITH THE SAME MARKING
TOGETHER WHEN CONNECTING
POWER TO THE MOTOR

422927-1

422927-001

REV. DESC: CHANGE BACKGROUND COLOR FROM GOLD TO WHITE		
REV. LTR: B	VERSION: 02	TDR: 00000788708
FILE: \RGG\00000\203	REVISED: 08:09:29 03/04/2013	
MTL: -	BY: RGGWT	

BALDOR

EXTERNAL CONNECTION LABEL

SH 1 of 1