

BALDOR® • RELIANCE®

Customer information packet

ZDBRPM25604

60HP, 1750, 460V, FL2578, TEBC, F3

Specifications

Enclosure	TEBC
Frame	FL2578Z
Frame Material	Exposed Laminations
Frequency	60.00 Hz
Output @ Frequency	60.000 HP @ 60 HZ
Phase	3
Synchronous Speed @ Frequency	1800 RPM @ 60 HZ
Voltage @ Frequency	460.0 V @ 60 HZ
Agency Approvals	CCSA US
Auxillary Box	No Auxillary Box
Base Indicator	Rigid
Bearing Grease Type	Polyrex EM (-20F +300F)
Current @ Voltage	75.000 A @ 460.0 V
Duty Rating	CONT
Feedback Device	ENCODER
Frame Prefix	FL
Heater Indicator	No Heater
High Voltage Full Load Amps	75.0 a
Insulation Class	H
IP Rating	NONE
Motor Standards	NEMA
Mounting Arrangement	F3
Overall Length	38.35 IN
Product Family	General Industrial
Pulley End Bearing Type	Ball
Pulley Face Code	Standard
Service Factor	1.00
Shaft Diameter	2.124 IN
Shaft Ground Indicator	Shaft Grounding
Shaft Rotation	Reversible
Speed	1775 rpm
Starting Method	Full Voltage

Part detail

Revision	A
Type	AC
Mech. spec.	
Base	
Status	PRD/A
Elec. spec.	L3381A
Layout	617577-375
Eff. date	01-19-2022
CD Diagram	422927-001
Poles	04
Leads	
Proprietary	False
Created date	11-10-2021

Thermal Device - Bearing

None

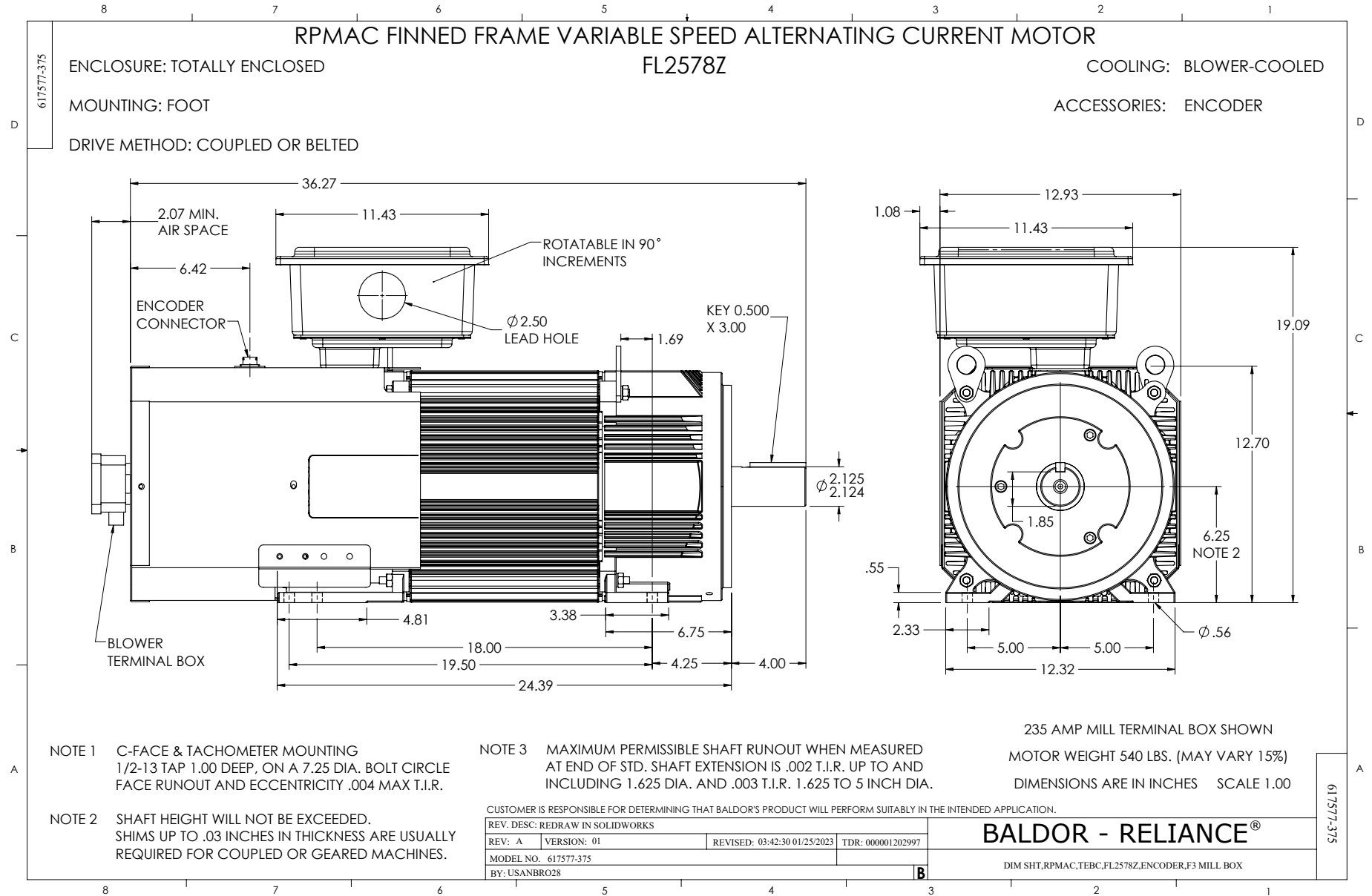
Thermal Device - Winding

Normally Closed Thermostat

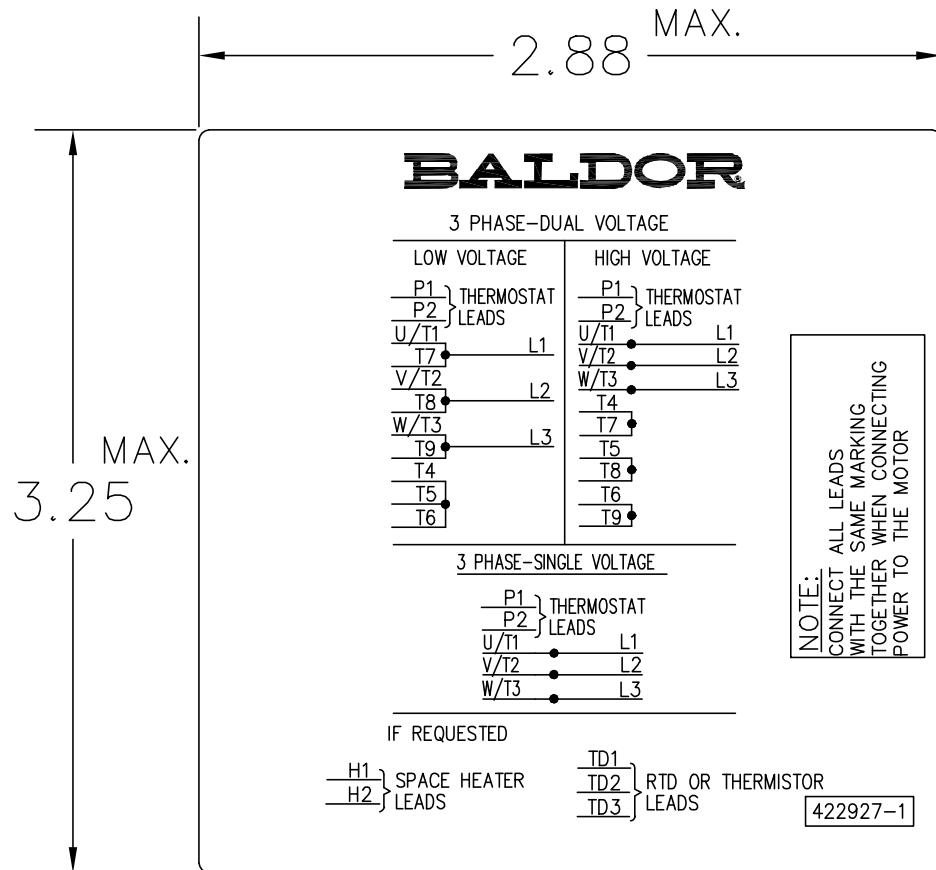
Nameplate

000613006MY

	DUTY	HP	RPM	AMPS	VOLTS	HZ			
	CONT	60	1775	75	460		60		
	CONT	60	3540	71	460		120		
CAT.NO.	ZDBRPM25604		SPEC. NO.		F25-A000-0413				
SER.NO			FR	FL2578Z	INSUL	H			
PH.	3	MAX SAFE SPEED		5000	AMB.	40	MIN. AMB.	-25	
DESIGN NO.	L3381A		TYPE		ENCL.	TEAO-BC			
S.F.	1.00		D.E. BRG.	65BC03JPP30A					
ENCL MOD			O.D.E. BRG.	50BC03JPP30A					
	IP44								



422927-001



NOTE:
DATA TO BE SIZED
SO THAT IT FITS INTO
MATERIAL DECAL
DIMENSIONS. MAKE
LETTERS & NUMBERS
AS LARGE AS POSSIBLE.

MATERIAL: CERAMATIC DGF-P4
PERMA GRIP ADHESIVE

ALL LETTERS, NUMBERS
AND LINES TO BE BLACK
ON WHITE BACKGROUND.

422927-001

REV. DESC: CHANGE BACKGROUND COLOR FROM GOLD TO WHITE		
REV. LTR: B	VERSION: 02	TDR: 00000788708
FILE: \RGG\00000\203	REVISED: 08:09:29 03/04/2013	
MTL: -	BY: RGGWT	

BALDOR

EXTERNAL CONNECTION LABEL

SH 1 of 1