

BALDOR® • RELIANCE®

Customer information packet

ZDFRPM18104C

10HP, 1750RPM, 3PH, 60HZ, 1844C, TEFC, FOOT

Specifications

Enclosure	TEFC
Frame	FL1844C
Frame Material	Aluminum
Frequency	60.00 Hz
Output @ Frequency	10.000 HP @ 60 HZ
Phase	3
Synchronous Speed @ Frequency	1800 RPM @ 60 HZ
Voltage @ Frequency	460.0 V @ 60 HZ
Agency Approvals	CCSA US UR
Auxillary Box	No Auxillary Box
Base Indicator	Rigid
Bearing Grease Type	No Grease
Current @ Voltage	13.900 A @ 460.0 V
Duty Rating	CONT
Feedback Device	TACHOMETER
Frame Prefix	FL
Heater Indicator	No Heater
High Voltage Full Load Amps	13.9 a
Insulation Class	H
Motor Standards	NEMA
Mounting Arrangement	F3
Overall Length	25.33 IN
Product Family	General Industrial
Pulley End Bearing Type	Ball
Pulley Face Code	C-Face
Service Factor	1.00
Shaft Diameter	1.375 IN
Shaft Ground Indicator	No Shaft Grounding
Shaft Rotation	Reversible
Speed	1765 rpm
Thermal Device - Bearing	None

Part detail

Revision	B
Type	AC
Mech. spec.	
Base	
Status	PRD/A
Elec. spec.	L3219A
Layout	617232-013
Eff. date	12-21-2021
CD Diagram	422927-001
Poles	04
Leads	
Proprietary	False
Created date	04-10-2015

Thermal Device - Winding

Normally Closed Thermostat

Nameplate

000613006MY

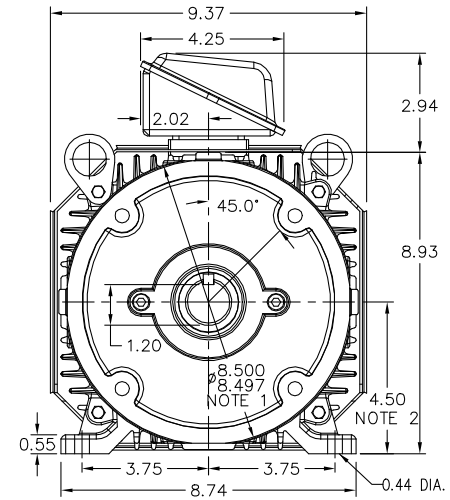
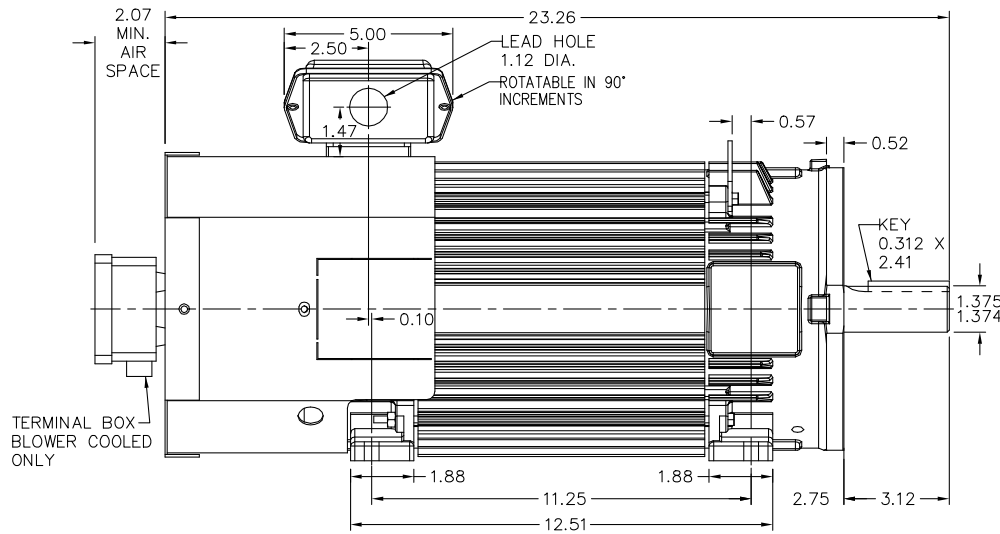
	DUTY	HP	RPM	AMPS	VOLTS	HZ	
	CONT	10	1765	13.9	460	60	
	CONT	10	3530	12.1	460	120	
	CONT	10	1765	27.8	230	60	
	CONT	10	3530	24.2	230	120	
CAT.NO.	ZDFRPM18104C		SPEC. NO.		P18T0371		
SER.NO.		FR	FL 1844CZ	INSUL	H		
PH.	3	MAX SAFE SPEED		7200	AMB.	40	MIN. AMB. -25
DESIGN NO.	L3219A	TYPE			ENCL.	TEFC	
S.F.	1.0	D.E. BRG.		45BC02JPP30A			
ENCL MOD		O.D.E. BRG.		35BC02JPP30A			

617232-013

RPM-AC FINNED FRAME VARIABLE SPEED ALTERNATING CURRENT MOTOR
FL1844CZ

ENCLOSURE: TOTALLY ENCLOSED
MOUNTING: FOOT / NEMA 210TC C-FACE
DRIVE METHOD: COUPLED OR BELTED

COOLING: BLOWER COOLED or FAN COOLED
ACCESSORIES: PROVISIONS FOR TACHOMETER MOUNTING ONLY WHEN SPECIFIED



NOTE 1: C-FACE & TACHOMETER MOUNTING
1/2-13 TAP, 1.00 DEEP, ON A 7.25 DIA. BOLT CIRCLE
FACE RUNOUT AND ECCENTRICITY 0.004 MAX. T.I.R.

NOTE 2: SHAFT HEIGHT WILL NOT BE EXCEEDED
SHIMS UP TO 0.03 INCHES IN THICKNESS ARE USUALLY
REQUIRED FOR COUPLED OR GREARED MACHINES

TERMINAL BOX MAY BE LOCATED F1 OR F2 IF SPECIFIED
40 AMP STEEL TERMINAL BOX SHOWN
REFER TO 616779-50 FOR SPECIFIED TERMINAL BOX DIMENSIONS
REFER TO 616779-55 FOR SPECIFIED TACHOMETER DIMENSIONS

MOTOR WEIGHT: 179 LBS. (MAY VARY 15%)
DIMENSIONS ARE IN INCHES SCALE: 1.00

617232-013

CUSTOMER IS RESPONSIBLE FOR DETERMINING THAT BALDOR'S PRODUCT WILL PERFORM SUITABLY IN THE INTENDED APPLICATION.

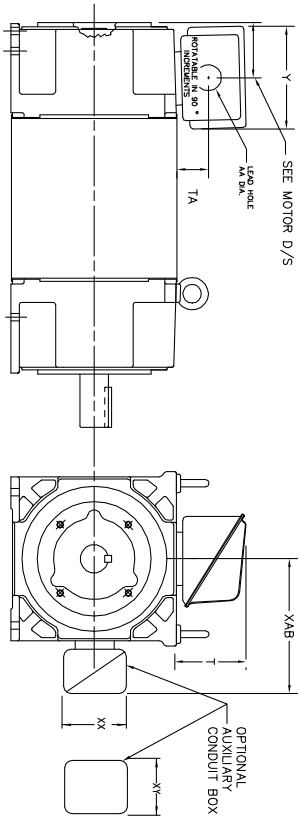
REV. DESC: ASSIGNED TO BUSLOAD		
REV. LTR: -	VERSION: 00	TDR: 000000482745
FILE: \RGG\00003\464	REVISED: 13:35:56 11/25/2008	BY: CONBAT
MTL: -		

BALDOR • DODGE • RELIANCE

DIM SHT RPM AC TEFC / FC FL1844CZ FT / 210TC MTG PROV TACH
SH 1 of 1

INDUSTRIAL ALTERNATING CURRENT MOTORS
RPM AC

STEEL, CAST IRON, MILL AND TERMINAL BOARD CONDUIT BOX DIMENSIONS
NEMA FRAMES RL210 thru RL280 and IEC FRAMES RDL132 thru RDL180
NEMA FRAMES FL180 thru FL280 and IEC FRAMES FDL112 thru FDL180



FRAME	TYPE	TERMINAL STRIP	AMPS	C/BOX	Y	TA	T	AA
FL180	STEEL	N	40	706320003A	5.00	1.62	3.00	1.12
FL180	STEEL	Y/N	75	706320003A	6.12	2.38	4.38	1.75/2.00
FL180	CAST IRON	N	208	706320007A	6.82	2.00	7.00	2.50/3.00
FL180	CAST IRON	Y/N	400	706320007A	6.75	2.38	4.38	3.00/3.50
FL180 & FDL11	MILL	Y	100	706310028A	7.75	2.30	4.40	PC36/PG16
FL210 & RL210	STEEL	N	61	0754520009	6.34	2.00	4.12	1.75
FL210 & RL210	STEEL	N	121	0754520009	7.69	2.38	5.25	1.94
FL210 & RL210	STEEL	N	306	706320016A	9.00	4.12	8.44	4.89
FL210 & RL210	CAST IRON	N	110	075460052B	7.25	2.50	5.25	1.5 TAP
FL210 & RL210	MILL	Y	100	7063100229A	7.75	2.30	4.40	PC36/PG16
FL210 & RL210	MILL	Y	160	706310056A	9.00	3.06	5.40	PC36/PG16
FL210 & RL210	MILL	Y/N	235	706310056B	11.42	4.00	6.72	2.50
FL250 & RL250	STEEL	N	61	0754520009	6.34	2.00	4.12	1.75
FL250 & RL250	STEEL	N	121	0754520009	7.69	2.38	5.25	1.94
FL250 & RL250	STEEL	N	306	706320016A	9.00	4.12	8.44	4.89
FL250 & RL250	CAST IRON	N	110	075460052B	7.25	2.50	5.25	1.5 TAP
FL250 & RL250	CAST IRON	N	210	706320017A	10.50	4.88	9.00	4.0 TAP
FL250 & RL250	MILL	Y	100	7063100229A	7.75	2.30	4.40	PC36/PG16
FL250 & RL250	MILL	Y	160	706310056A	9.00	3.06	5.40	PC36/PG16
FL250 & RL250	MILL	Y/N	235	706310056B	11.42	4.00	6.72	2.50
FL250 & RL250	MILL	Y	400	706310063B	14.39	7.43	12.15	BLANK

FRAME SIZE	YAB	XX	XY	PART NUMBER	FRAME SIZE	YAB	XX	XY	PART NUMBER
FL120/FL160/FL200/FL180	7.38	4.25	4.25	602007-26-A	FL120/FL160/FL200/FL180	10.88	8.00	8.00	706310-3-B
FL250/FL180/FL280/FL180	8.44	4.25	4.25	602007-26-A	FL250/FL180/FL280/FL180	11.88	8.00	8.00	706310-3-B
FL280/FL180/FL280/FL180	9.12	4.25	4.25	602007-26-A	FL280/FL180/FL280/FL180	12.62	8.00	8.00	706310-3-B

FRAME SIZE	YAB	XX	XY	PART NUMBER	FRAME SIZE	YAB	XX	XY	PART NUMBER
FL120/FL160/FL200/FL180	7.38	4.25	4.25	602007-26-A	FL120/FL160/FL200/FL180	10.88	8.00	8.00	706310-3-B
FL250/FL180/FL280/FL180	8.44	4.25	4.25	602007-26-A	FL250/FL180/FL280/FL180	11.88	8.00	8.00	706310-3-B
FL280/FL180/FL280/FL180	9.12	4.25	4.25	602007-26-A	FL280/FL180/FL280/FL180	12.62	8.00	8.00	706310-3-B

(1) 7/8" CONDUIT.
(2) 7/8" PIPE TAP.
(3) CUSTOMER TO PROVIDE W/LE TERE CONDUIT.
(4) 2" DIA. SA OR 1" DIA. DIA. W/2".

TERMINAL BOX CAN BE ROTATED FOR LEAD INLET AT TOP, SIDES OR BOTTOM.
TERMINAL BOX LOCATED ON OPPOSITE SIDE WHEN F-2, V-1, V-4, V-5, V-7.
DR C-1 MOUNTING IS SPECIFIED. BOX LOCATED ON TOP WHEN SPECIFIED.

050-677919

CUSTOMER IS RESPONSIBLE FOR DETERMINING THAT BALDOR'S PRODUCT WILL PERFORM SUITABLY IN THE INTENDED APPLICATION.

REV. DESC: ADD 706310-637 & 639 BOX	VERSION: 06	TDR: 000001180260
REV. LTR: F	REVISED: 11: 08: 56 10/26/2021	BY: RCGRWM
FILE: \RGG\00003\692		
MTL: -		

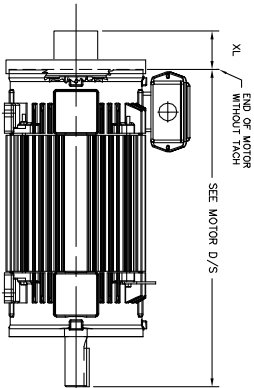
BALDOR - RELIANCE®
DIM SHT NEMA RL210-RL280 FL180-FL280 IEC RDL132-RDL180
SH 1 of 1

RPM AC TACHOMETER DIMENSIONS
NEMA FRAMES FL180 thru FL440 and IEC FRAMES FDL112 thru FDL280
 DIMENSIONS ARE IN INCHES(mm)

DPV, DPSV, TEPV, TESV, TENV & TEAO-PB
 IC06, IC17, IC37, IC410, & IC416-PB

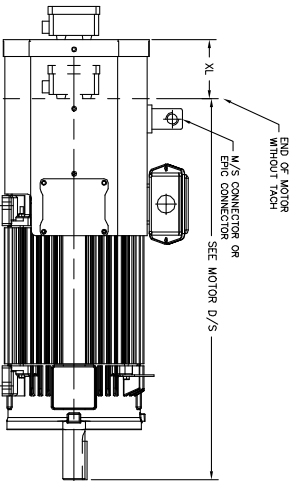
616779-055

TACH MODEL	XL Inches(mm)	LBS.
BEL DR DYNAPAR HS35	2.88 (74)	5
DYNAPAR H20	7.50 (191)MAX	10
NDRHSTAR HS35M	3.31 (84)	10
NDRHSTAR ST67	2.88 (74)	5
DYNAPAR HS6	10.56 (268)	40
AVTRON M3 DR M4	3.62 (92)	10
TAMAGAMA TSS013(X17)	6.00 (152)	10
NDRHSTAR ST56	2.88 (74)	5
NDRHSTAR ST85	2.00 (51)	5
BEL T59D	10.19 (259)	15
TAMAGAMA T52151	6.44 (164)	15
BEL T623	7.50 (191)	15
DYNAPAR H20	2.00 (50.8)	5
DYNAPAR H25	12.88 (327)	10
STEWANN SRM25	7.25 (184.4)	10
HEIDENHAIN EDW425	3.00 (76.2)	10
AVTRON HS35M	2.5 (63.5)	5
HEIDENHAIN ERN480	4.19 (106.4)	5
DYNAPAR H425	5.00 (76.2)	5
DYNAPAR H425	7.00 (177.8)	10
DYNAPAR H42	3.62 (92.1)	5
AVTRON M25	2.54 (64.5)	9
AVTRON AV850	2.54 (64.5)	9
AVTRON AV56	4.50 (115)	15
HS308	3.30 (84)	5
HS325	3.30 (84)	2
NDRHSTAR R18	3.25 (83)	15
DYNAPAR H4625	5.88 (150)	10
AVTRON AV485	9.50 (241)	18
AVTRON AV32	1.93 (49)	7
DYNAPAR RH25	3.80 (97)	1.6
AVTRON AV95	2.40 (61.5)	3



TEAO-BC, IC416-BC
EXCLUDES NEMA FRAMES FL320 THRU FL440
AND
IEC FRAMES FDL200 THRU FDL280

TACH MODEL	XL Inches(mm)	LBS.
BEL DR DYNAPAR HS35	4.50 (115)	10
DYNAPAR H20	4.50 (115)	15
AVTRON M3 DR M4	4.50 (115)	10
NDRHSTAR HS35M	4.50 (115)	15
NDRHSTAR ST56	4.50 (115)	10
NDRHSTAR ST67	4.50 (115)	10
NDRHSTAR ST85	4.50 (115)	5
TAMAGAMA TSS008 TSS013	4.50 (115)	10
DYNAPAR H20	4.50 (115)	15
STEWANN SRM25	4.50 (115)	10
STEWANN SRM50	4.50 (115)	3
HE20 & HE5E	4.50 (115)	15
AVTRON HS35M	4.50 (115)	10
AVTRON AV85	4.50 (115)	10
AVTRON M56	4.50 (115)	5
AVTRON AV67	4.50 (115)	10
HS308	4.50 (115)	5
TSS014	4.50 (115)	10
AVTRON HS45	4.50 (115)	15
DYNAPAR HST38M	4.50 (115)	15
AVTRON AV32	4.50 (115)	7
AVTRON AV950	4.50 (115)	9



CUSTOMER IS RESPONSIBLE FOR DETERMINING THAT BALDOR'S PRODUCT WILL PERFORM SUITABLY IN THE INTENDED APPLICATION.

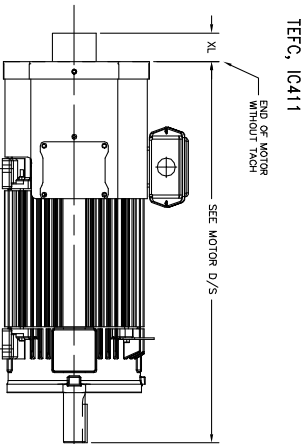
REV. DESC: ADD AV85	VERSION: 25	TDR: 00000111552
REV. LTR: AA	REVISED: 03:54:15 06/26/2019	BY: RGRWMM
FILE: \RGG\00003\694		
MTL: -		

BALDOR - RELIANCE®

DIM SHT TACH DIM NEMA FL180 - FL440 IEC FDL112 - FDL280

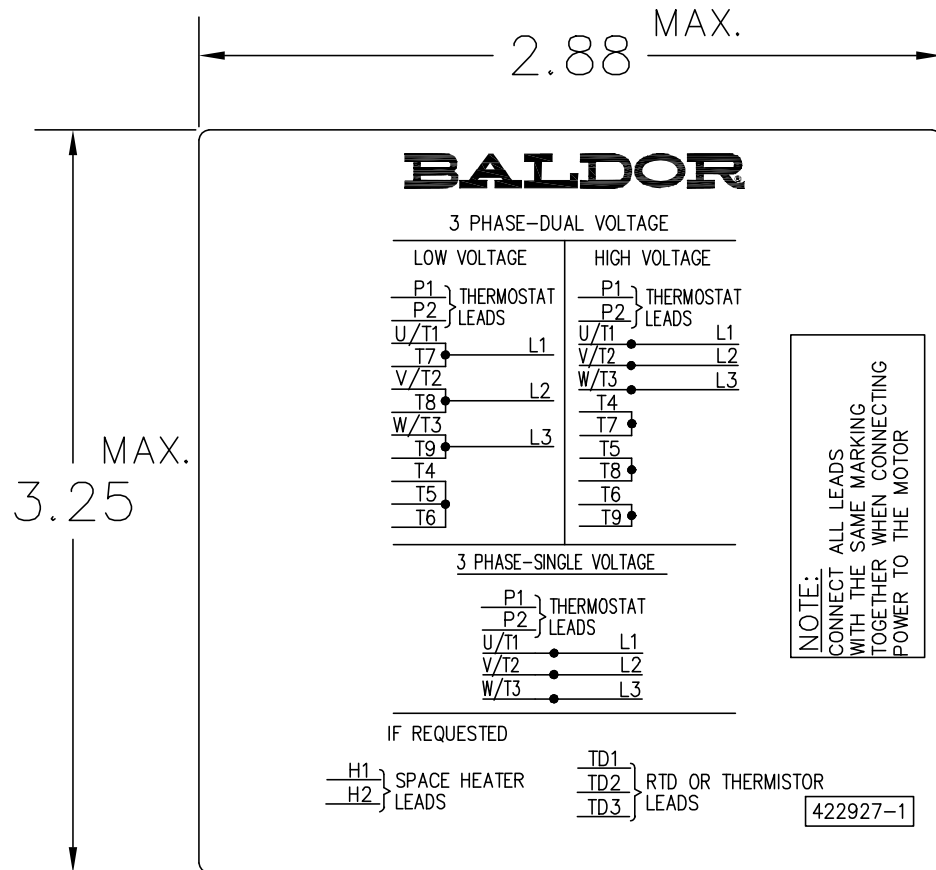
SH 1 of 1

TACH MODEL	XL Inches(mm)	LBS.
BEL HS35	2.88 (74)	7
NDRHSTAR HS35M	3.31 (84)	10
DYNAPAR H20	3.75 (95)	15
DYNAPAR HS35 HS398	2.88 (74)	7
H20(X17)	9.75 (248)	35
EDW425	7.90 (201)	35
AVTRON HS35M	4.19 (106)	2
STEWANN SRM50	3.75 (95)	1
DYNAPAR H20	2.00 (51)	1
NDRHSTAR HS35	2.81 (71)	2
NDRHSTAR HS398	3.30 (84)	5
AVTRON AV92	1.93 (49)	.7



550-677919

422927-001



NOTE:
DATA TO BE SIZED
SO THAT IT FITS INTO
MATERIAL DECAL
DIMENSIONS. MAKE
LETTERS & NUMBERS
AS LARGE AS POSSIBLE.

MATERIAL: CERAMATIC DGF-P4
PERMA GRIP ADHESIVE

ALL LETTERS, NUMBERS
AND LINES TO BE BLACK
ON WHITE BACKGROUND.

422927-001

REV. DESC: CHANGE BACKGROUND COLOR FROM GOLD TO WHITE		
REV. LTR: B	VERSION: 02	TDR: 00000788708
FILE: \RGG\00000\203	REVISED: 08:09:29 03/04/2013	
MTL: -	BY: RGGWT	

BALDOR

EXTERNAL CONNECTION LABEL

SH 1 of 1