

BALDOR® • RELIANCE 

Product Information Packet

CEM2551T

75HP,1775RPM,3PH,60HZ,365TC,4462M,OPSB,F

Part Detail							
Revision:	N	Status:	PRD/A	Change #:		Proprietary:	No
Type:	AC	Elec. Spec:	44WG013	CD Diagram:	CD0180	Mfg Plant:	
Mech. Spec:	44D052	Layout:	44LYD052	Poles:	04	Created Date:	08-03-2010
Base:	RG	Eff. Date:	08-21-2018	Leads:	9#6		

Specs			
Catalog Number:	CEM2551T	Inverter Code:	Inverter Ready
Enclosure:	OPSB	KVA Code:	F
Frame:	365TC	Lifting Lugs:	Standard Lifting Lugs
Frame Material:	Steel	Locked Bearing Indicator:	Locked Bearing
Output @ Frequency:	75.000 HP @ 60 HZ	Motor Lead Quantity/Wire Size:	9 @ 6 AWG
Synchronous Speed @ Frequency:	1800 RPM @ 60 HZ	Motor Lead Exit:	Ko Box
Voltage @ Frequency:	230.0 V @ 60 HZ	Motor Lead Termination:	Flying Leads
	460.0 V @ 60 HZ	Motor Type:	4462M
Agency Approvals:	CSA	Mounting Arrangement:	F1
	CSA EEV	Power Factor:	85
	UR	Product Family:	General Purpose
Auxillary Box:	No Auxillary Box	Pulley End Bearing Type:	Ball
Auxillary Box Lead Termination:	None	Pulley Face Code:	C-Face
Base Indicator:	Rigid	Pulley Shaft Indicator:	Standard
Bearing Grease Type:	Polyrex EM (-20F +300F)	Rodent Screen:	None
Blower:	None	Shaft Extension Location:	Pulley End
Current @ Voltage:	170.000 A @ 230.0 V	Shaft Ground Indicator:	No Shaft Grounding
	85.000 A @ 460.0 V	Shaft Rotation:	Reversible

Design Code:	B	Shaft Slinger Indicator:	No Slinger
Drip Cover:	No Drip Cover	Speed Code:	Single Speed
Duty Rating:	CONT	Motor Standards:	NEMA
Electrically Isolated Bearing:	Not Electrically Isolated	Starting Method:	Direct on line
Feedback Device:	NO FEEDBACK	Thermal Device - Bearing:	NONE (OLD)
Front Face Code:	Standard	Thermal Device - Winding:	None
Front Shaft Indicator:	None	Vibration Sensor Indicator:	No Vibration Sensor
Heater Indicator:	No Heater	Winding Thermal 1:	None
Insulation Class:	F	Winding Thermal 2:	None

Nameplate NP2138LUA											
CAT.NO.	CEM2551T			P/N				ENCLOSURE	OPSB		
SPEC.	44D052W013G1		CC	010A		FRAME	365TC		S/N		
HP	75			CLASS	F		HZ	60			
RPM	1775			PH	3		DES	B			
VOLT	230/460			KVA-CODE	F		ODE BRG	6312		DE BRG	6313
AMP	170/85			USABLE AT	208V						
RATING	40C AMB-CONT			GREASE	POLYREX EM						
NEMA-NOM-EFF	95	PF	85	SER.F.	1.15						
HTR-VOLTS	50Hz 75Hp 190/380V 160/80A			HTR-AMPS		SF 1.0					

Parts List		
Part Number	Description	Quantity
SA200831	SA 44D052W013G1	1.000 EA
RA188142	RA 44D052W013G1	1.000 EA
S/P107-000-004	SUPER-E(284 FR. & UP)-CL PLANT,POLYREX E	1.000 EA
HA6731	LIFTING LUG FOR 44 FRAME MOTORS.	2.000 EA
HA6616A01	CAST ADAPTOR, 44 FRAME - NEMA 364-5 - MA	1.000 EA
19XW3816A12	.38-16 X .75 HEX WASHER HEAD TAPTITE II	2.000 EA
HW1001A38	LOCKWASHER 3/8, ZINC PLT .688 OD, .382 I	2.000 EA
10CB3002A02	CB 309 3.62 LD HOLE, .38 MTG HOLE & 3.50	1.000 EA
19XW3118A16	.31-18 HEX WASHER HEAD TAPTITE II 1.00 L	4.000 EA
HW1001A31	LOCKWASHER 5/16, ZINC PLT.591 OD, .319 I	4.000 EA
WD1000B25	GND LUG, BURNDY L125HP OR T&B L125HP-BB	1.000 EA
19XW3118G08	.31-18X.50,HEX WSHR HD,TAPTITE 2,GREEN	1.000 EA
44EP1203A02	FREP, MACH	1.000 EA
HW5100A15	W4997-050 WVY WSHR (WB)	1.000 EA
10XN3816K48	3/8-16 X 3 HEX HD CAP SCREW,Z/P	4.000 EA
HW1001A38	LOCKWASHER 3/8, ZINC PLT .688 OD, .382 I	4.000 EA
44EP1403A01	ENDPLATE MACH. 364-5TC FOR 313 BRG	1.000 EA
XY5013A12	NUT,1/2-13,HEX,STEEL,ZINCPLATED	8.000 EA
10CB3500SP	CONDUIT BOX LID, CAST	1.000 EA
51XW2520A12	SCREW, HEX SER SLT HD, ZN, 1/4-20 X .75	4.000 EA
HW2501J36	KEY, 5/8 SQ X 4.250	1.000 EA
LB1115N	LABEL,LIFTING DEVICE (ON ROLLS)	1.000 EA
MN416A01	TAG-INSTAL-MAINT no wire (1200/bx) 5/18	1.000 EA
HW4500A03	GREASE FITTING, .125 NPT 1610(ALEMITE) 8	1.000 EA

Parts List (continued)		
Part Number	Description	Quantity
HW4500A20	1/8NPT SL PIPE PLUG	1.000 EA
MJ1000A02	GREASE, POLYREX EM EXXON (USe 4824-15A)	0.030 LB
HW4500A03	GREASE FITTING, .125 NPT 1610(ALEMITE) 8	1.000 EA
HW4500A20	1/8NPT SL PIPE PLUG	1.000 EA
MG1000Y03	MUNSELL 2.53Y 6.70/ 4.60, GLOSS 20,	0.080 GA
85XU0407S04	4X1/4 U DRIVE PIN STAINLESS	4.000 EA
44AD2001A02	BAFFLE 44 OPEN,"X"=1.50, SLOTTED BAND MT	1.000 EA
44AD2001A02	BAFFLE 44 OPEN,"X"=1.50, SLOTTED BAND MT	1.000 EA
HA3175A02	THRUBOLT STUD 1/2-13 X 24.500 - GRADE 2	4.000 EA
LB1119N	WARNING LABEL	1.000 EA
LC0181	CONNECTION LABEL	1.000 EA
NP2138LUA	ALUM SUPER-E UL CSA-EEV PREM CC (300SER)	1.000 EA
44PA1000	PK GP COMB PRINT 39-3/8X31X23-7/8	1.000 EA

AC Induction Motor Performance Data

Record # 31660 - Typical performance - not guaranteed values

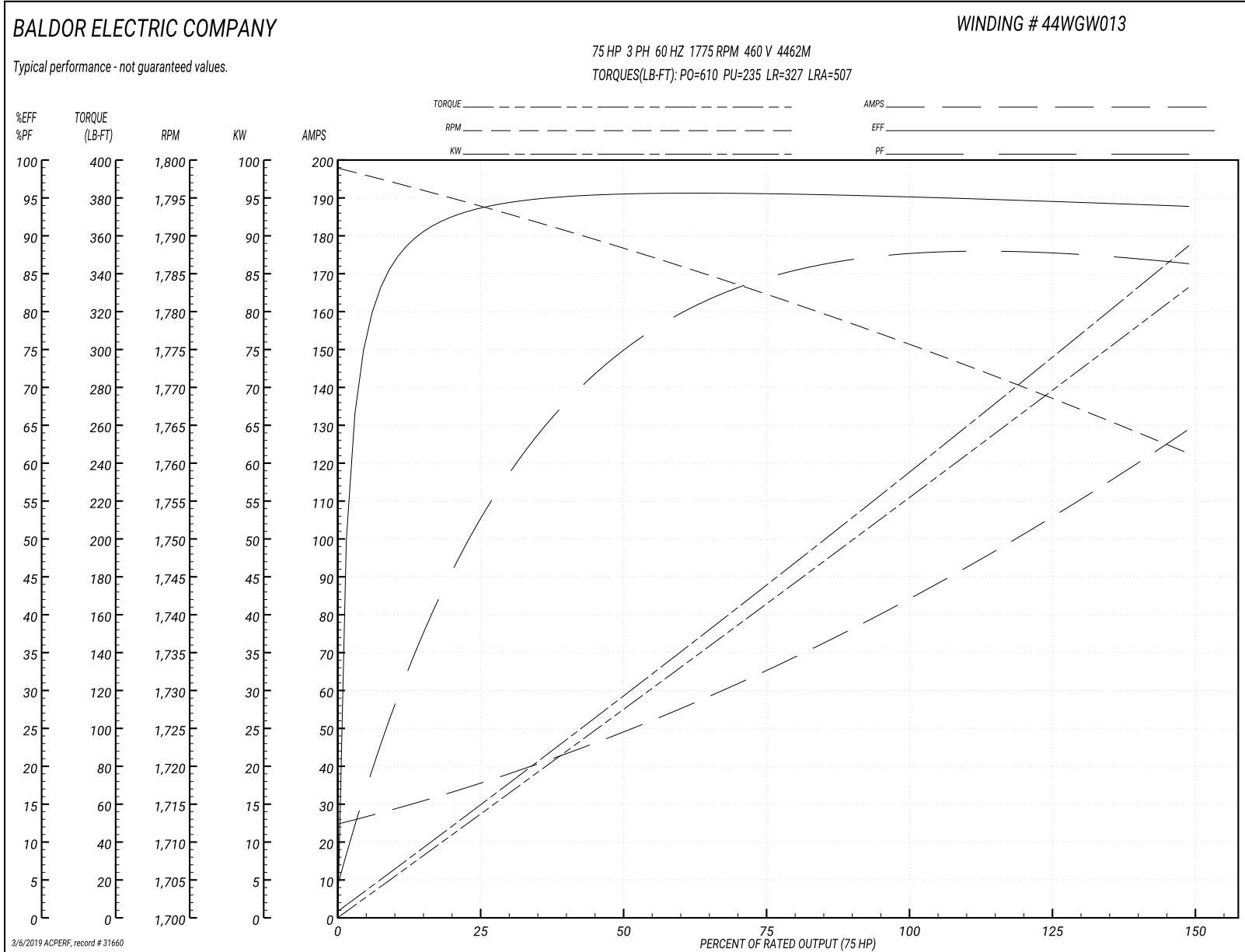
Winding: 44WGW013-R002	Type: 4462M	Enclosure: OPEN
-------------------------------	--------------------	------------------------

Nameplate Data				460 V, 60 Hz: High Voltage Connection	
Rated Output (HP)	75			Full Load Torque	222 LB-FT
Volts	230/460			Start Configuration	direct on line
Full Load Amps	170/85			Breakdown Torque	610 LB-FT
R.P.M.	1775			Pull-up Torque	235 LB-FT
Hz	60	Phase	3	Locked-rotor Torque	327 LB-FT
NEMA Design Code	B	KVA Code	F	Starting Current	507 A
Service Factor (S.F.)	1.15			No-load Current	26.2 A
NEMA Nom. Eff.	95	Power Factor	85	Line-line Res. @ 25°C	0.0799 Ω
Rating - Duty	40C AMB-CONT			Temp. Rise @ Rated Load	30°C
S.F. Amps				Temp. Rise @ S.F. Load	37°C
				Locked-rotor Power Factor	26.3
				Rotor inertia	11.7 LB-FT ²

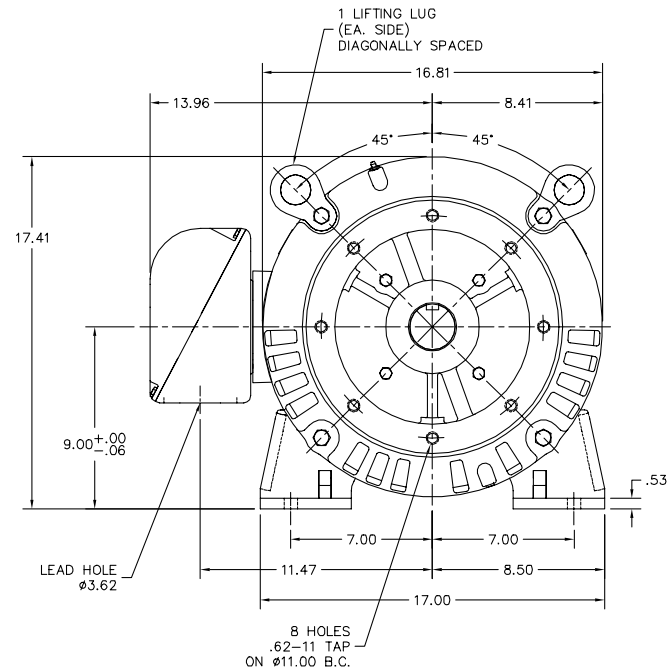
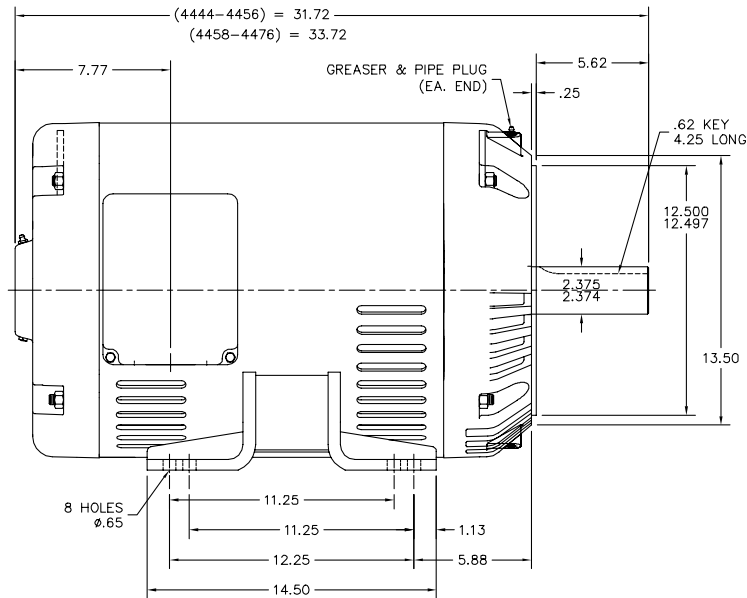
Load Characteristics 460 V, 60 Hz, 75 HP

% of Rated Load	25	50	75	100	125	150	S.F.
Power Factor	56	77	84	86	87	87	86
Efficiency	93.6	95.6	95.4	95.3	94.6	93.9	94.7
Speed	1794	1788	1782	1776	1769	1761	1776
Line amperes	33.9	48	66.1	85.4	106	128	100

Performance Graph at 460V, 60Hz, 75.0HP Typical performance - Not guaranteed values



44LYD052



44LYD052

CUSTOMER IS RESPONSIBLE FOR DETERMINING THAT BALDOR'S PRODUCT WILL PERFORM SUITABLY IN THE INTENDED APPLICATION.

REV. DESC: UPDATED DESCRIPTION		
REV. LTR: F	VERSION: 03	TDR: 000000B55727
FILE: \AAA\00040\891	REVISED: 09:33:01 05/29/2014	BY: ENNINDO
MTL: -		

BALDOR

HOR OPSB 364-5TC
SH 1 of 1

CD0180



LOW VOLTAGE
(2D)



HIGH VOLTAGE
(1D)



NOTES:

1. INTERCHANGE ANY TWO LINE LEADS TO REVERSE ROTATION.
2. OPTIONAL THERMOSTATS ARE PROVIDED WHEN SPECIFIED.
3. ACTUAL NUMBER OF INTERNAL PARALLEL CIRCUITS MAY BE A MULTIPLE OF THOSE SHOWN ABOVE.
4. LEAD COLORS ARE OPTIONAL. LEADS MUST ALWAYS BE NUMBERED AS SHOWN.

CD0180

REV. DESC: ADD CLASS CONN00000007		
REV. LTR: D	VERSION: 01	TDR: 000001099922
FILE: \AAA\00005\148	REVISED: 10:25:29 02/19/2019	BY: ENBRIRO
MTL: -	© □	

BALDOR - RELIANCE®

3PH, DV, 9 LEADS, DELTA CONNECTION

SH 1 of 1