

**BALDOR® • RELIANCE** 

**Product Information Packet**

**EJMM3613T**

**5HP,3450RPM,3PH,60HZ,184JM,3630M,TEFC,F1**

Part Detail							
Revision:	G	Status:	PRD/A	Change #:		Proprietary:	No
Type:	AC	Elec. Spec:	36WGS042	CD Diagram:	CD0005	Mfg Plant:	
Mech. Spec:	36H017	Layout:	36LYH017	Poles:	02	Created Date:	05-06-2010
Base:	RG	Eff. Date:	01-21-2019	Leads:	9#16		

Specs			
Catalog Number:	EJMM3613T	Heater Indicator:	No Heater
Enclosure:	TEFC	Insulation Class:	F
Frame:	184JM	Inverter Code:	Not Inverter
Frame Material:	Steel	KVA Code:	L
Output @ Frequency:	5.000 HP @ 60 HZ	Lifting Lugs:	No Lifting Lugs
Synchronous Speed @ Frequency:	3600 RPM @ 60 HZ	Locked Bearing Indicator:	Locked Bearing
Voltage @ Frequency:	460.0 V @ 60 HZ	Motor Lead Quantity/Wire Size:	9 @ 16 AWG
	230.0 V @ 60 HZ	Motor Lead Exit:	Ko Box
XP Class and Group:	None	Motor Lead Termination:	Flying Leads
XP Division:	Not Applicable	Motor Type:	3630M
Agency Approvals:	UR	Mounting Arrangement:	F1
	CSA EEV	Power Factor:	91
	CSA	Product Family:	General Purpose
Auxillary Box:	No Auxillary Box	Pulley End Bearing Type:	Ball
Auxillary Box Lead Termination:	None	Pulley Face Code:	C-Face
Base Indicator:	Rigid	Pulley Shaft Indicator:	Tapped & Key
Bearing Grease Type:	Polyrex EM (-20F +300F)	Rodent Screen:	None
Blower:	None	Shaft Extension Location:	Pulley End

<b>Current @ Voltage:</b>	11.800 A @ 230.0 V	<b>Shaft Ground Indicator:</b>	No Shaft Grounding
	12.000 A @ 208.0 V	<b>Shaft Rotation:</b>	Reversible
	5.900 A @ 460.0 V	<b>Shaft Slinger Indicator:</b>	Shaft Slinger
<b>Design Code:</b>	A	<b>Speed Code:</b>	Single Speed
<b>Drip Cover:</b>	No Drip Cover	<b>Motor Standards:</b>	NEMA
<b>Duty Rating:</b>	CONT	<b>Starting Method:</b>	Direct on line
<b>Electrically Isolated Bearing:</b>	Not Electrically Isolated	<b>Thermal Device - Bearing:</b>	NONE (OLD)
<b>Feedback Device:</b>	NO FEEDBACK	<b>Thermal Device - Winding:</b>	None
<b>Front Face Code:</b>	Standard	<b>Vibration Sensor Indicator:</b>	No Vibration Sensor
<b>Front Shaft Indicator:</b>	None	<b>Winding Thermal 1:</b>	None
		<b>Winding Thermal 2:</b>	None

Nameplate NP3441LUA

CAT.NO.	EJMM3613T					
SPEC	36H017S042G1					
HP	5					
VOLTS	230/460					
AMPS	11.8/5.9					
RPM	3450					
FRAME	184JM		HZ	60	PH	3
SF	1.15		CODE	L	DES	A
NEMA NOM. EFF	88.5		PF	91	CLASS	F
RATING	40C AMB-CONT					
CC	010A		USABLE AT 208V		12	
ENCL	TEFC		SER			
DE	6207		ODE	6205		
VPWM INVERTER READY						
CT6-60H(10:1)VT3-60H(20:1)						
	50Hz 5HP 190/380V 14.2/7.1A					
	SF1.0					

Parts List		
Part Number	Description	Quantity
SA194511	SA 36H017S042G1	1.000 EA
RA182098	RA 36H017S042G1	1.000 EA
34FN3002B02	EXTERNAL FAN, PLASTIC, .905/.907 HUB W/	1.000 EA
36CB3004	36 CB CASTING W/1.09 DIA LEAD HOLE @ 6:0	1.000 EA
36GS1000SP	GASKET-CONDUIT BOX, .06 THICK #SV-330 LE	1.000 EA
51XB1016A08	10-16X 1/2HXWSSLD SERTYB	2.000 EA
11XW1032G06	10-32 X .38, TAPTITE II, HEX WSHR SLTD U	1.000 EA
HW3001B01	BRASS CUP WASHER, FOR #10 SCREW	1.000 EA
36FE3104A04	FR ENDPLATE, FOR ROUTING	1.000 EA
HW4500A01	1641B(ALEMITE)400 UNIV, GREASE FITT	1.000 EA
HW4500A17	317400 ALEMITE GREASE RELIEF	1.000 EA
HW5100A05	WVY WSHR F/205 & 304 BRGS	1.000 EA
36PE3405T03	PUEP ASSEMBLY FOR ROUTING PURPOSES	1.000 EA
HW4500A01	1641B(ALEMITE)400 UNIV, GREASE FITT	1.000 EA
HW4500A17	317400 ALEMITE GREASE RELIEF	1.000 EA
10XN2520A24	1/4-20X 1 1/2 HEX HD X	4.000 EA
HW1001A25	LOCKWASHER 1/4, ZINC PLT .493 OD, .255 I	4.000 EA
51XB1214A16	12-14X1.00 HXWSSLD SERTYB	1.000 EA
36FH4009A103	IEC FH GREASER W/PRIMER	1.000 EA
51XW1032A06	10-32 X .38, TAPTITE II, HEX WSHR SLTD S	3.000 EA
36CB4516	36 LIPPED CB LID - GALVANNEAL	1.000 EA
37GS1001SP	GASKET, CONDUIT BOX LID, .06 THICK LEXID	1.000 EA
51XW0832A07	8-32 X .44, TAPTITE II, HEX WSHR SLTD SE	4.000 EA
HA1005A07	SLINGER, OD 2.25, ID 1.344, 307 BRG	1.000 EA

<b>Parts List (continued)</b>		
<b>Part Number</b>	<b>Description</b>	<b>Quantity</b>
HW2501D13	KEY, 3/16 SQ X 1.375	1.000 EA
HA7000A01	KEY RETAINER 7/8" DIA SHAFT	1.000 EA
85XU0407S04	4X1/4 U DRIVE PIN STAINLESS	2.000 EA
MJ1000A02	GREASE, POLYREX EM EXXON (USe 4824-15A)	0.050 LB
MG1000Y03	MUNSELL 2.53Y 6.70/ 4.60, GLOSS 20,	0.022 GA
HA3101A25	THRUBOLT 1/4-20 X 11.000 OHIO ROD	4.000 EA
LC0005E01	CONN.DIA./WARNING LABEL (LC0005/LB1119N)	1.000 EA
NP3441LUA	ALUM SUPER-E VPWM INV READY UL CSA-EEV C	1.000 EA
36PA1001	PKG GRP, PRINT PK1017A06	1.000 EA
MN416A01	TAG-INSTAL-MAINT no wire (1200/bx) 5/18	1.000 EA

**AC Induction Motor Performance Data**

Record # 32158 - Typical performance - not guaranteed values

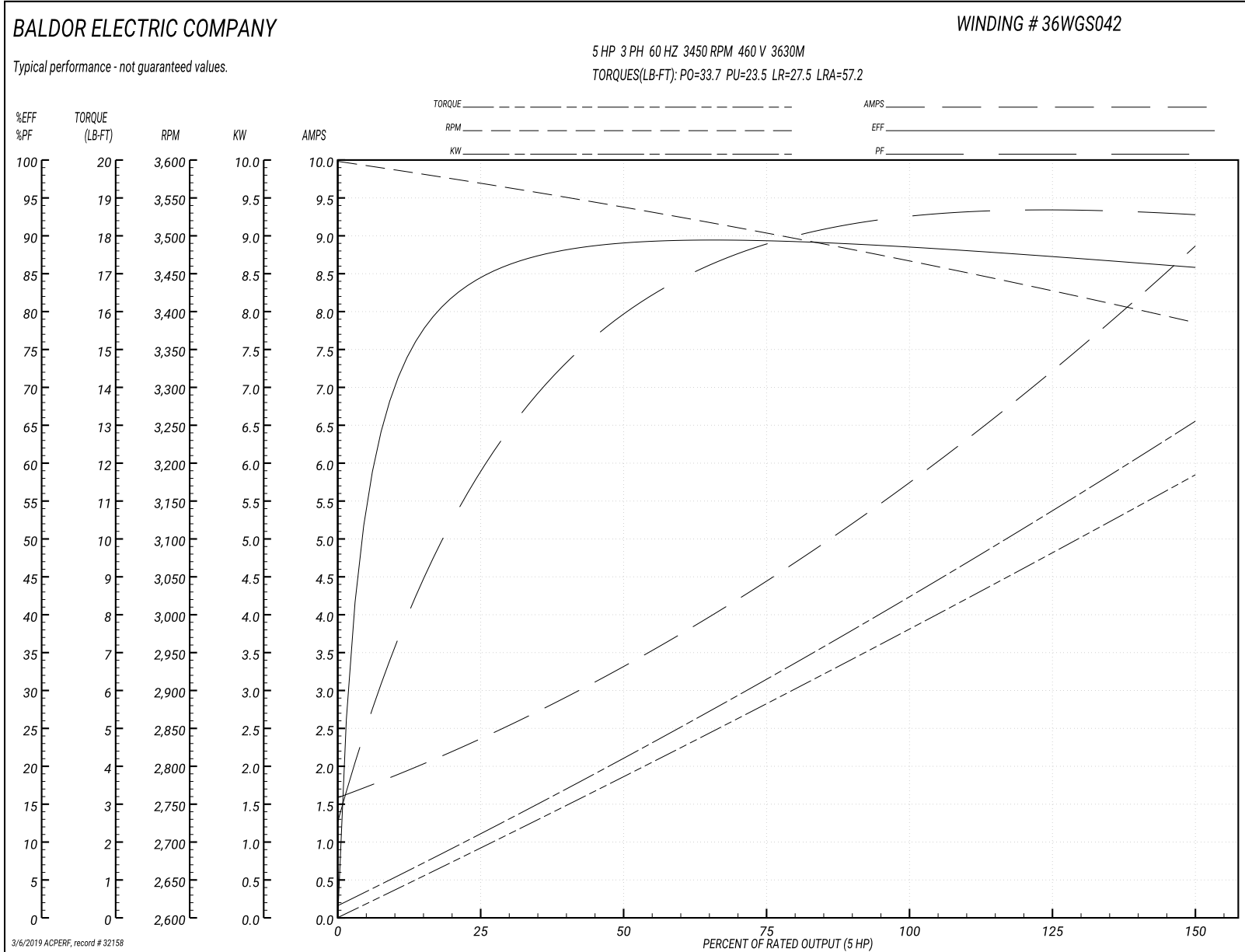
<b>Winding:</b> 36WGS042-R002	<b>Type:</b> 3630M	<b>Enclosure:</b> TEFC
-------------------------------	--------------------	------------------------

Nameplate Data				460 V, 60 Hz: High Voltage Connection	
Rated Output (HP)	5			Full Load Torque	7.67 LB-FT
Volts	230/460			Start Configuration	direct on line
Full Load Amps	11.8/5.9			Breakdown Torque	33.7 LB-FT
R.P.M.	3450			Pull-up Torque	23.5 LB-FT
Hz	60	Phase	3	Locked-rotor Torque	27.5 LB-FT
NEMA Design Code	A	KVA Code	L	Starting Current	57.2 A
Service Factor (S.F.)	1.15			No-load Current	1.68 A
NEMA Nom. Eff.	88.5	Power Factor	91	Line-line Res. @ 25°C	2.3313 Ω
Rating - Duty	40C AMB-CONT			Temp. Rise @ Rated Load	72°C
S.F. Amps				Temp. Rise @ S.F. Load	89°C
				Locked-rotor Power Factor	45
				Rotor inertia	0.134 LB-FT <sup>2</sup>

Load Characteristics 460 V, 60 Hz, 5 HP

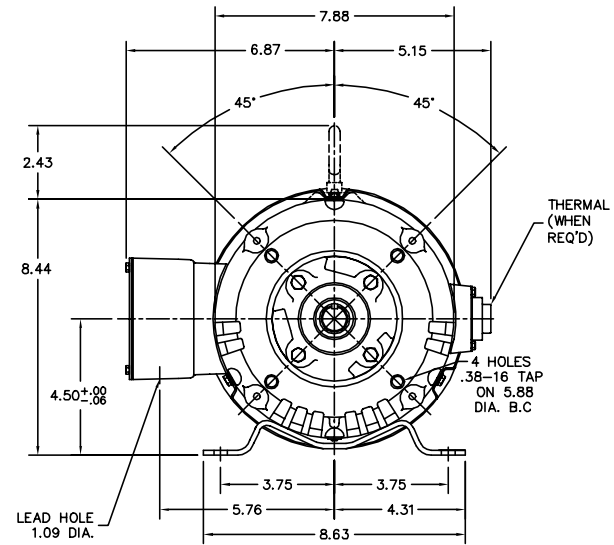
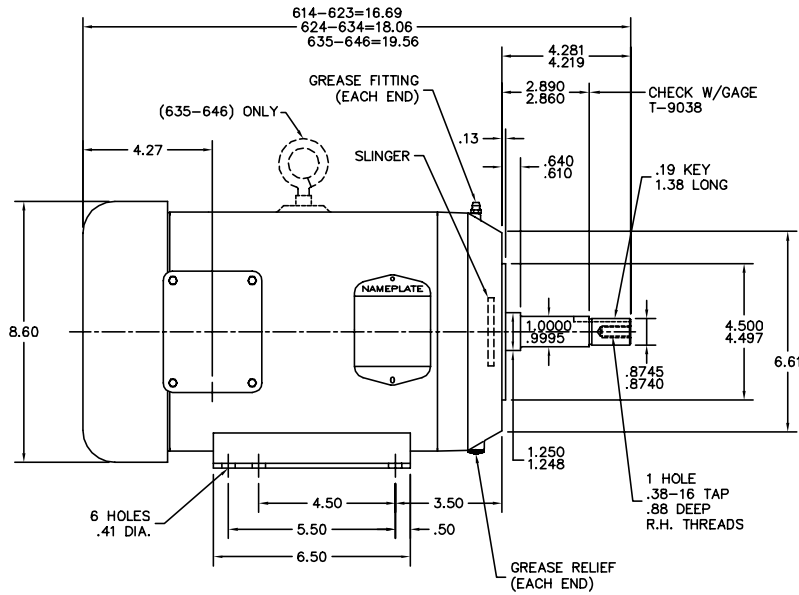
% of Rated Load	25	50	75	100	125	150	S.F.
Power Factor	62	81	88	91	93	93	92
Efficiency	84.1	88.9	89.4	88.7	87.3	85.8	87.9
Speed	3568.7	3537.4	3504.2	3465.8	3428.2	3385	3443
Line amperes	2.24	3.26	4.47	5.85	7.26	8.8	6.7

Performance Graph at 460V, 60Hz, 5.0HP Typical performance - Not guaranteed values





36LYH017



CUSTOMER IS RESPONSIBLE FOR DETERMINING THAT MOTOR PERFORMANCE IS SUITABLE IN THE APPLICATION.

REV. DESC: ADDED KOBX LEAD HOLE DIM			
REV. LTR: M	BY: RMP	REVISED: 07:25:39 09/09/2004	TDR: 342770
FILE: AAA00004174		REF: 36LYH017	
MTL: -			

**BALDOR ELECTRIC Co.**

STD HORZ 182-4JM TEFC 36M

36LYH017

CD0005



LOW VOLTAGE  
(2Y)



LINE

HIGH VOLTAGE  
(1Y)



LINE

NOTES:

1. INTERCHANGE ANY TWO LINE LEADS TO REVERSE ROTATION.
2. OPTIONAL THERMOSTATS ARE PROVIDED WHEN SPECIFIED.
3. ACTUAL NUMBER OF INTERNAL PARALLEL CIRCUITS MAY BE A MULTIPLE OF THOSE SHOWN ABOVE.
4. LEAD COLORS ARE OPTIONAL. LEADS MUST ALWAYS BE NUMBERED AS SHOWN.

REV. DESC: REVISE TO SHOW OPTIONAL COLORS

REV. LTR: E BY: JLP

REVISED: 01/19/99 10:15

TDR: 0171435

90000

FILE: AAA00005140

MDL: -

MTL: -

**BALDOR ELECTRIC Co.**

3PH, DV, 9 LEADS

CD0005