

BALDOR® • RELIANCE 

Product Information Packet

IDBRPM362004

200HP, 1785RPM, 3PH, 60HZ, L3614Z, TEBC, FOOT,

Part Detail							
Revision:	A	Status:	INA/A	Change #:		Proprietary:	No
Type:	AC	Elec. Spec:	L3375A	CD Diagram:	422927-001	Mfg Plant:	
Mech. Spec:		Layout:	609994-001	Poles:	04	Created Date:	04-10-2015
Base:		Eff. Date:	08-03-2018	Leads:			

Specs			
Catalog Number:	IDBRPM362004		
Enclosure:	TEBC		
Frame:	L3614		
Frame Material:	Exposed Laminations		
Output @ Frequency:	200.000 HP @ 60 HZ		
Synchronous Speed @ Frequency:	1800 RPM @ 60 HZ		
Voltage @ Frequency:	460.0 V @ 60 HZ		
Auxillary Box:	No Auxillary Box		
Base Indicator:	Rigid		
Bearing Grease Type:	Polyrex EM (-20F +300F)		
Current @ Voltage:	229.000 A @ 460.0 V		
Duty Rating:	CONT		
Feedback Device:	NO FEEDBACK		
Frame Prefix:	L		
Heater Indicator:	No Heater		
Insulation Class:	H		
Mounting Arrangement:	F3		
Product Family:	General Industrial		

Pulley End Bearing Type:	Ball		
Pulley Face Code:	Standard		
Shaft Ground Indicator:	No Shaft Grounding		
Shaft Rotation:	Reversible		
Motor Standards:	NEMA		
Thermal Device - Bearing:	None		
Thermal Device - Winding:	Normally Closed Thermostat		

Nameplate 000613006MY										
	DUTY	HP	RPM	AMPS	VOLTS	HZ				
	CONT	200	1785	229	460	60				
	CONT	200	3565	226	460	120				
CAT.NO.				SPEC. NO.	P36L0237					
SER.NO.				FR	L 3614	INSUL	H			
PH.	3		MAX SAFE SPEED	3750	AMB.	40			MIN. AMB.	-25
DESIGN NO.	L3375A			TYPE		ENCL.	TEAO-BC			
S.F.	1.0			D.E. BRG.	65BC03J30X					
ENCL MOD				O.D.E. BRG.	65BC03J30X					

Parts List		
Part Number	Description	Quantity
WS286644	WS P36L0237	1.000 EA
RA282852	RA P36L0237	1.000 EA
000613006MY	NP-RPMAC INVERTER DUTY	1.000 EA
000692000FP	NP, WARNING LIFT INSTRUCTIONS	1.000 EA
418057747A	METAL FASTENER	8.000 EA
000692000NH	LABEL DIRECTION AIR FL	1.000 EA
000692000VD	LABEL WARNING	1.000 EA
422927001	C/D LABEL	1.000 EA
004824015A	GREASE POLYREX EM	0.600 LB
034693001AB	PPLG - G508- use 034692001AB	1.000 EA
034693001AB	PPLG - G508- use 034692001AB	1.000 EA
035000001A	ALFTG 1/8" 1610-BL	1.000 EA
035000001BB	GREASE FTG,GRS.IN	1.000 EA
036000100KB	HHCS,ODE CAP	3.000 EA
036100090KA	SHCS SHAFT BLOCK	3.000 EA
036140001D	EYEBOLT - 360	2.000 EA
036500013AB	HX NUT,ODE BRKT	4.000 EA
036500013AB	HX NUT,ODE BRKT	4.000 EA
400638001AD	WAVEN - 400 (Customer number 43699)	1.000 EA
418150003A	GREASE FITTING CAP	2.000 EA
609830005ABE	TBOLT .625 X 29.38 (RE	4.000 EA
804810002A	BRKT,ODE,L360	1.000 EA
804811002A	BRKT, DE, L360	1.000 EA
000613006NT	NAME PLATE IEC	1.000 EA

Parts List (continued)		
Part Number	Description	Quantity
032018006CK	HHCS 3/8-16X3/4L PLATED	4.000 EA
034017014AB	LCKW 3/8 STD. PLATED	4.000 EA
036000012HB	HHCS M6X12MM LONG PLATED	4.000 EA
036000012JB	M8-1.25 X 12MM HXHDC	3.000 EA
036000016JB	HHCS M8-1.25X16MMPLTD-250	4.000 EA
036000016KB	HHCSM10-1.5X16MM PLTD-280	2.000 EA
036000016KB	HHCSM10-1.5X16MM PLTD-280	4.000 EA
036000020JB	HHCS M8-1.25X20L PLTD-250	4.000 EA
036000045JB	M8-1.25 X 45MM HXHCS	4.000 EA
036620009AB	M8 EXTERNAL LK WASHER	1.000 EA
036620010AB	M10 EXT. TOOTH LK WASHER	2.000 EA
077176001A	CBOXC, PAINTED 360-400	1.000 EA
402731001A	GASK 360-440	1.000 EA
410978010C	FLANGE, INLET BLOWER HSG.	1.000 EA
410978012A	INLET SCREEN	1.000 EA
417733004D	GASKET CONDUIT BOX	1.000 EA
417733004E	GASKT	1.000 EA
418014004A	ADAPT 418014-4WCA	1.000 EA
418018074A	GROUND LABEL G100 METRIC 160 D.C.	3.000 EA
610490001A	.5HP,3450//2850RPM,3PH,60//50HZ,56C,3420	1.000 EA
415000103E	T/LUG #4AWG-1/0AWG W/HOLE FOR .375 BOLT	1.000 EA
611917002A	GASKT	1.000 EA
611965001B	WHEEL, BLOWER	1.000 EA
706305020A	GUARD, SHAFT	1.000 EA

Product Information Packet: IDBRPM362004 - 200HP,1785RPM,3PH,60HZ,L3614Z,TEBC,FOOT,

706313055A	HOUSING, BLOWER	1.000 EA
706320016A	CONDUIT BOX	1.000 EA
804815001A	COVER L360 AC FAN CVR	1.000 EA
000640000P	TAG WINDING THERMOST	1.000 EA
004824007K	SPECIAL PAINT	0.300 EA
034180024HA	KEY 5/8X5/8X3 L	1.000 EA

REL. S. O. -
 FRAME L3614
 HP 200
 BASE SPEED 1785
 PHASE/HERTZ 3/60

VOLTS 460
 AMPS 229
 DUTY CONT 1.0
 S.F. 1.0
 AMB °C/INSUL 40/H

ENCLOSURE TEBC
 MAX SAFE RPM 3750
 IM (AMPS) 84
 P.F. @NL/FL .035/.866
 WR² (LB-FT²) 45

WYE CONN EQ CKT OHMS PER PHASE (AT BASE RATING, 25 °C)
 R1 .00939
 R2 .00745
 R3 .00745
 X1 .0927
 X2 .120
 XM 3.15

RATED FULL LOAD DATA


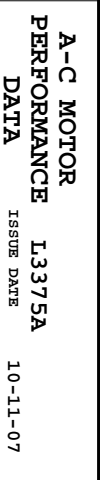
	RPM	HP	TORQUE LB-FT	FUND VOLTS	FREQ-HZ	AMPS
BASE SPEED	1784	200	589	460	60	229
MAX SPEED	3565	200	295	460	120	226
MIN SPEED	0	0	589	6.32	.525	229

LOAD PERFORMANCE AT BASE SPEED

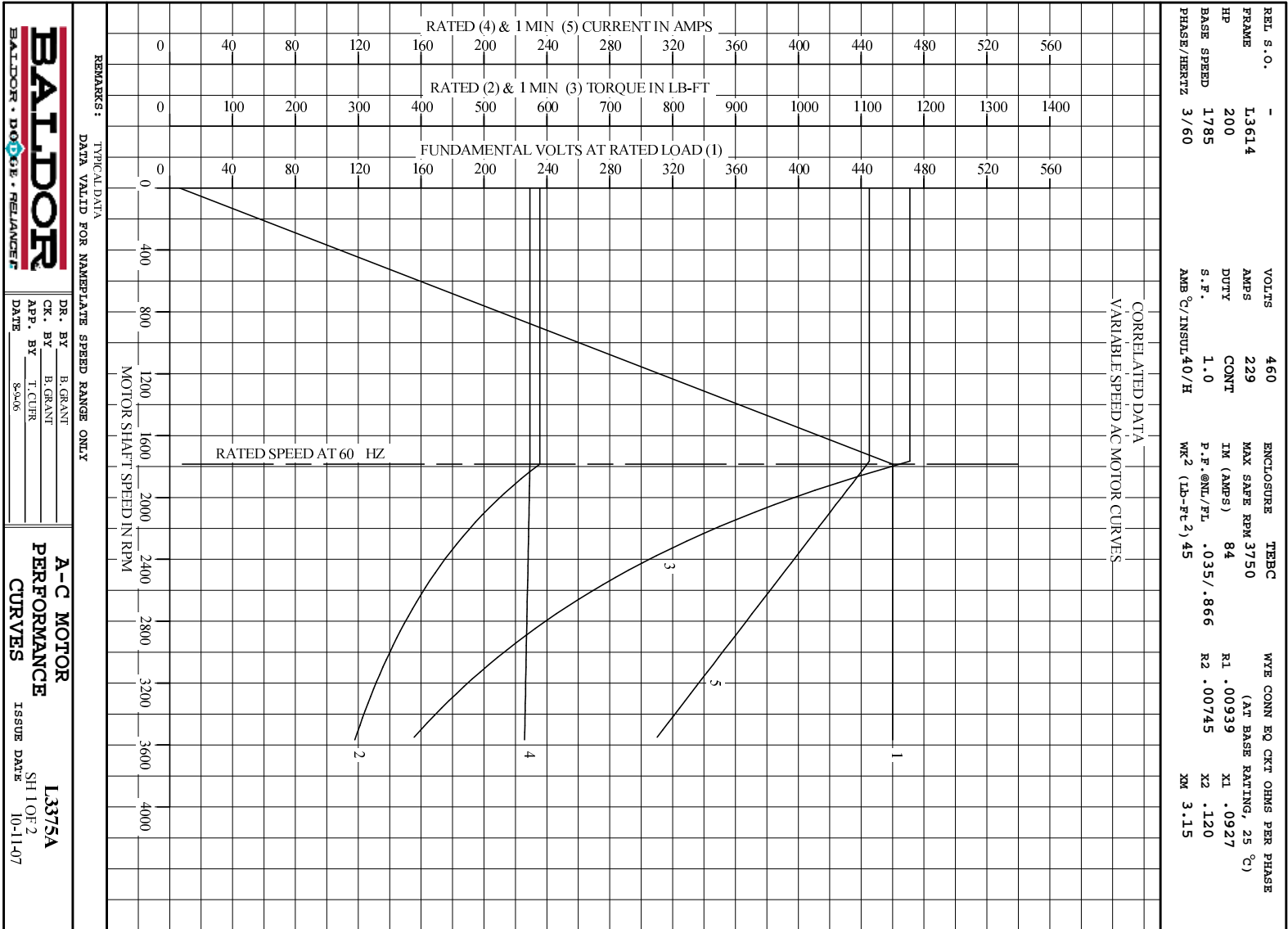
	RPM	HP	TORQUE LB-FT	FUND VOLTS	FREQ-HZ	AMPS
NO LOAD	1800	0	0	460	60	82.5
1/4	1796	50.0	146	460	60	100
1/2	1792	100	293	460	60	136
3/4	1788	150	440	460	60	180
FULL LOAD	1784	200	589	460	60	229
O/L	1766	396	1177	460	60	445

BLOWER DATA	VOLTS	PH/HZ	FL AMPS	LR AMPS	FRAME	CFM

REMARKS: TYPICAL DATA
 CORRELATED DATA

	DR. BY B. GRANT	
	CK. BY T. CUPP	
APP. BY 8-9-06	DATE 8-9-06	ISSUE DATE 10-11-07

1



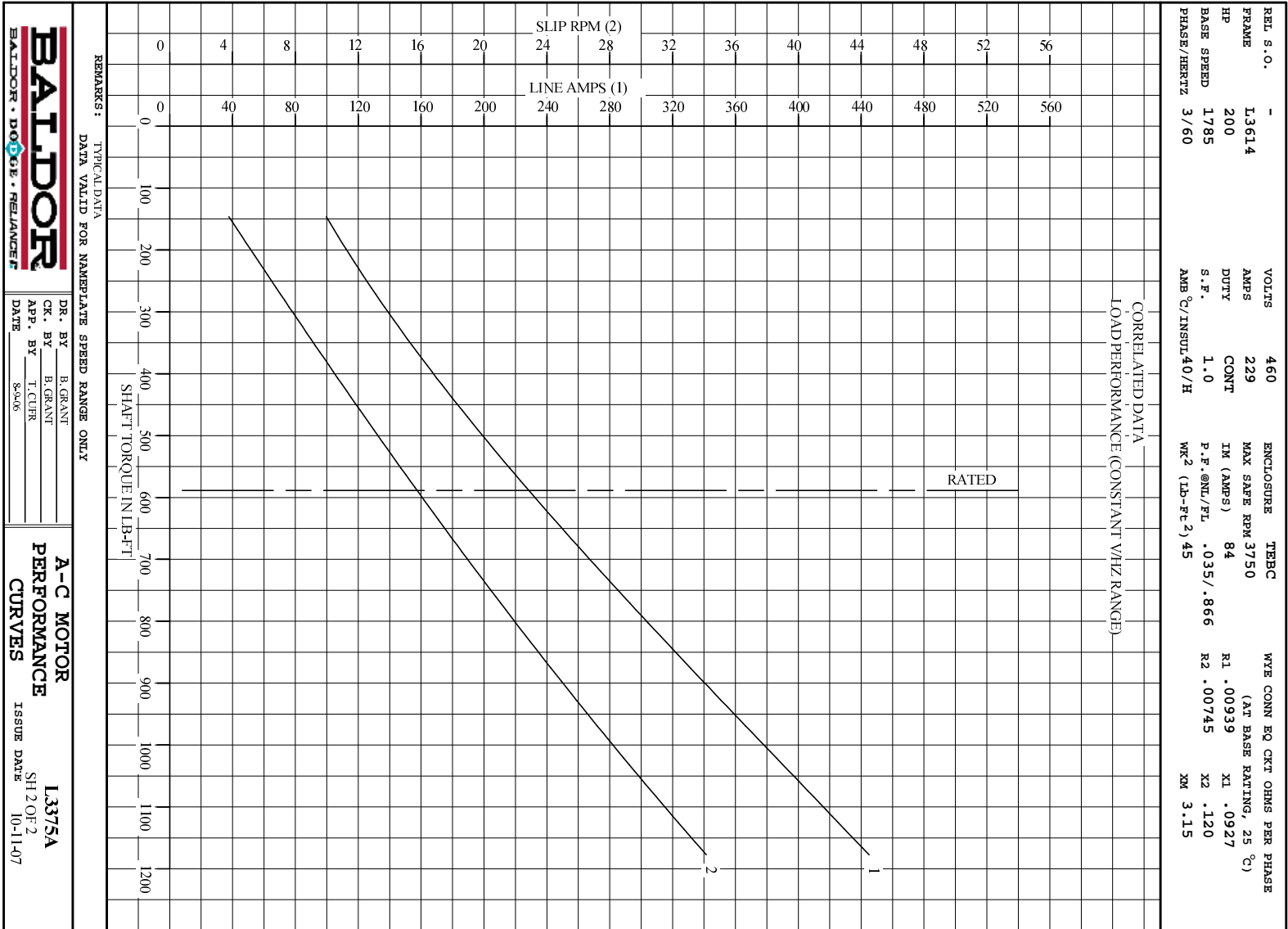
BALDOR
BALDOR • DOUGLASS • RELIANCE

DR. BY B. GRANT
 CK. BY B. GRANT
 APP. BY T. CURR
 DATE 8-9-06

A-C MOTOR
PERFORMANCE
CURVES

L3375A
 SH 1 OF 2
 ISSUE DATE 10-11-07

1



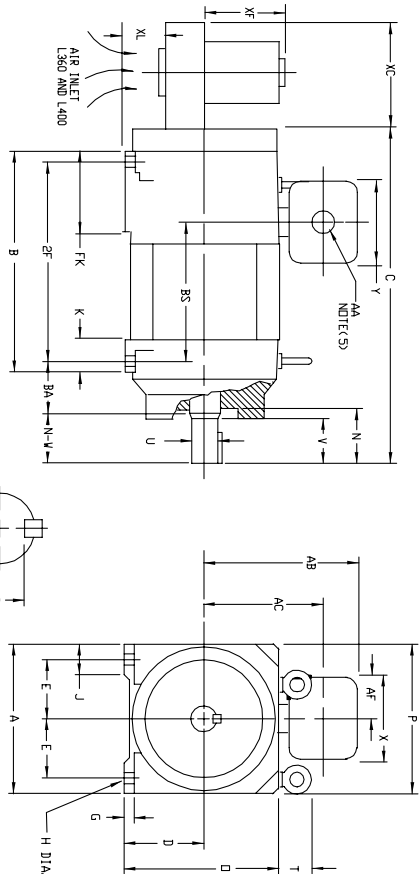
BALDOR
BALDOR • DOUGLASS • RELIANCE

DR. BY B. GRANT
CK. BY B. GRANT
APP. BY T. CURR
DATE 8-9-06

A-C MOTOR
PERFORMANCE
CURVES
L3375A
SH 2 OF 2
ISSUE DATE 10-11-07

609994-001

VARIABLE SPEED ALTERNATING CURRENT MOTORS
RPM AC
ENCLOSURE: TOTALLY ENCLOSED
MOUNTING: FOOT
FRAMES L3281 THRU UL4046
COOLING: FAN COOLED
BLOWER COOLED
AIR-OVER INLINE



DIMENSIONS ARE IN INCHES

FRAME	A	B(D)	E	G	H	J	D	P	T	BA	K	FK
L3281 THRU L3292	15.50	8.00	6.25	.88	69	3.00	15.81	15.62	4.4	5.25	3.25	8.00
L3699 THRU L3814	17.50	9.00	7.00	1.06	81	3.29	17.81	17.62	2.81	5.88	3.75	10.00
L4022 THRU UL4046	19.44	10.00	8.00	1.12	81	3.50	19.81	19.62	3.56	6.62	4.00	11.50

FRAME	METHOD OF DRIVE	C	B	BS	2F	N	N-V	UK2	V	RK37	SD	LGTH	XL	XC	XF	WT. LBS.
L3814	(4)	38.25	22.25	15.12	20.25	5.50	5.25	2.625	5.00	2.275	.625	4.00	1.69	---	---	840
L3292	(4)	41.00	25.00	17.88	23.00	5.50	5.25	2.625	5.00	2.275	.625	4.00	1.69	---	---	990
L3699	COUPLED	35.75	27.00	19.25	24.75	5.19	4.75	2.375	4.50	2.021	.625	3.00	5.19	10.12	7.00	1175
UL3699	BELTED	37.50	27.00	19.25	24.75	5.94	6.25	3.375	6.25	2.880	.875	5.00	5.19	10.12	7.00	1225
UL3607	COUPLED	37.50	29.00	21.25	26.75	5.19	4.75	2.375	4.50	2.021	.625	3.00	5.19	10.12	7.00	1380
UL3607	BELTED	39.50	29.00	21.25	27.75	5.19	4.75	2.375	4.50	2.021	.625	3.00	5.19	10.12	7.00	1400
UL3698	BELTED	40.50	30.00	22.25	27.75	6.94	6.25	3.375	6.25	2.880	.875	5.00	5.19	10.12	7.00	1575
UL3614	COUPLED	42.75	34.00	26.25	31.75	5.19	4.75	2.375	4.50	2.021	.625	3.00	5.19	10.12	7.00	1700
UL3614	BELTED	44.50	34.00	26.25	31.75	6.94	6.25	3.375	6.25	2.880	.875	5.00	5.19	10.12	7.00	1750
UL4022	COUPLED	42.12	33.00	24.38	30.50	4.56	4.75	2.375	4.50	2.021	.625	3.00	5.69	12.00	10.31	1750
UL4022	BELTED	45.88	33.00	24.38	30.50	8.31	8.50	3.875	8.25	3.309	1.00	6.88	5.69	12.00	10.31	1800
UL4034	COUPLED	45.12	36.00	27.38	33.50	4.56	4.75	2.375	4.50	2.021	.625	3.00	5.69	12.00	10.31	2150
UL4034	BELTED	48.88	36.00	27.38	33.50	8.31	8.50	3.875	8.25	3.309	1.00	6.88	5.69	12.00	10.31	2200
UL4046	COUPLED	48.12	39.00	30.38	36.50	4.56	4.75	2.375	4.50	2.021	.625	3.00	5.69	12.00	10.31	2450
UL4046	BELTED	51.88	39.00	30.38	36.50	8.31	8.50	3.875	8.25	3.309	1.00	6.88	5.69	12.00	10.31	2500

- (1) 'D' DIMENSION WILL NOT BE EXCEEDED. SHIMS UP TO .03 INCHES IN THICKNESS
 - (2) ARE USUALLY REQUIRED FOR COUPLED OR GEARED MACHINES.
 - (3) 'R' MARKS --- 4.00 - 5.00
 - (4) METHOD OF DRIVE COUPLED OR BELTED
 - (5) FOR TERMINAL BOX DIMENSIONS AA, AB, AC, AF, X & Y REFER TO BOX DIMS STD. 609994-1, 609994-2, 609994-3, 609994-4, 609994-5, 609994-6, 609994-7, 609994-8, 609994-9, 609994-10.
 - (6) DIMEN ASSUMED FOR BLOWER COOLING ONLY.
- SHAFT OR DRIVE END DIMS NOT MOUNTED IN AIR INLET
TERMINAL BOX CAN BE LOCATED ON SIDE IN F1 OR F2
TERMINAL BOX MOUNTED ON TOP AS STANDARD.
MOTOR WEIGHT MAY VARY SLIGHTLY FOR NON-STANDARD RATINGS AND/OR ACCESSORIES.
IF MOUNTING CLEARANCE DETAILS ARE REQUIRED, CONSULT FACTORY.

FRAME _____ TYPE _____ ITEM _____ HP _____ RPM _____ PH _____ HZ _____ VOLTS _____
 ORDER _____ SALES ORDER _____ APPROVED BY _____ DATE _____
 100-466600

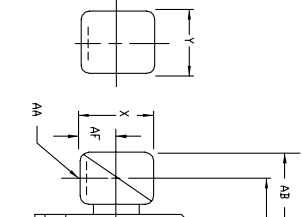
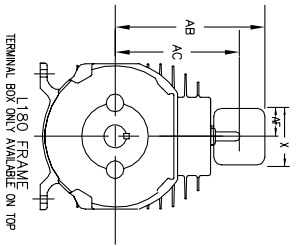
CUSTOMER IS RESPONSIBLE FOR DETERMINING THAT BALDOR'S PRODUCT WILL PERFORM SUITABLY IN THE INTENDED APPLICATION.

REV. DESC: ASSIGNED TO BUSLOAD	VERSION: 00	TDR: 000000486619
REV. LTR: -	REVISED: 10:17:16 01/08/2009	BY: CONBAT
FILE: \RGG\00003\660		
MTL: -		

Baldor • Dodge • Reliance
 DIM SHT L3281 THRU UL4046 RPM AC TEFC & BC AO INLINE FT M7G
 SH 1 of 1

RPM AC INDUSTRIAL ALTERNATING CURRENT MOTORS

STEEL, CAST IRON, MILL AND TERMINAL BOARD CONDUIT BOX DIMENSIONS
NEMA FRAMES L180 thru L440 and IEC FRAMES DL112 thru DL280



DIMENSIONS ARE IN INCHES (mm)

STEEL TERMINAL BOX DIMENSIONS (MAXIMUM)						CAST IRON TERMINAL BOX DIMENSIONS (MAXIMUM)					
FRAME SIZE	MAX AMPS	AK(1)	AB	AC	AF	STANDARD SIZE	MAX AMPS	AK(2)	AB	AC	AF
L180	40	1.38	8.62	6.94	2.25	4.50	5.00	706320-3-A			
L210	75	2.12	9.38	7.50	2.81	5.62	6.12	706320-3-A	L180	60	1
L230	160	2.12	9.38	7.50	2.81	5.62	6.12	706320-3-A	L210	140	3
L250	305	4	16.25	13.12	5.38	10.56	9.00	706320-3-A & D	L210	210	4
L280	500	5	18.38	13.85	6.50	12.10	14.62	706320-3-A & D	L210	510	5
L320	800	5	18.38	13.85	6.50	12.10	14.62	706320-3-A & D	L230	140	3
L360	160	2	16.25	12.81	4.25	8.44	7.25	706320-3-A & D	L250	210	4
L400	305	4	16.25	12.81	4.25	8.44	7.25	706320-3-A & D	L280	510	5
L440	500	5	22.00	16.88	6.50	12.10	14.62	706320-3-A & D	L320	140	3
									L360	140	3
									L400	305	4
									L440	500	5

MILL CONDUIT BOX DIMENSIONS (MAXIMUM)						IEC CONDUIT BOX DIMENSIONS WITH TERMINAL BOARDS (MAXIMUM)					
FRAME SIZE	MAX AMPS	AA	AB	AC	AF	STANDARD SIZE	MAX AMPS	AA	AB	AC	AF
L210	160	1.60	10.78	8.41	3.50	8.00	8.00	1.60	10.78	8.41	3.50
L230	160	1.60	10.78	8.41	3.50	8.00	8.00	1.60	10.78	8.41	3.50
L280	160	1.60	10.78	8.41	3.50	8.00	8.00	1.60	10.78	8.41	3.50
L320	590	5.90	15.47	12.06	4.50	16.00	16.00	5.90	15.47	12.06	4.50
L360	590	5.90	15.47	12.06	4.50	16.00	16.00	5.90	15.47	12.06	4.50
L400	590	5.90	15.47	12.06	4.50	16.00	16.00	5.90	15.47	12.06	4.50
L440	1260	12.60	27.38	19.88	6.06	18.50	18.50	12.60	27.38	19.88	6.06

FRAME NEMA/IEC	AMP'S	AA	AB	AC	AF	X	Y	PART NUMBER	PART NUMBER
L180/UL112	85	4-D	9.38(239)	7.50(191)	2.81(72)	5.62(143)	6.12(156)	706320-5-A or 4-C	706320-5-A or 4-C
L210/UL132	100	--	10.77(274)	9.04(230)	3.74(95)	7.48(190)	7.48(190)	706310-5-A	706310-225-R
L230/UL160	160	--	11.63(296)	9.62(245)	4.41(112)	8.82(224)	8.82(224)	706310-5-A	706310-225-R
L250/UL160	100	--	12.09(307)	10.36(264)	3.74(95)	7.48(190)	7.48(190)	706310-5-A	706310-225-R
L280/UL180	160	--	13.58(345)	11.57(294)	4.41(112)	8.82(224)	8.82(224)	706310-5-A	706310-225-R
L320/UL200	800	--	20.06(510)	17.53(446)	6.20(158)	14.39(366)	14.39(366)	706310-63-B	706310-63-B
L360/UL230	800	--	20.78(528)	18.25(464)	6.20(158)	14.39(366)	14.39(366)	706310-63-B	706310-63-B
L400/UL250	1260	--	25.94(659)	18.44(468)	6.06(154)	18.50(470)	18.50(470)	706310-63-E	706310-63-E
L440/UL280	1260	--	27.38(696)	19.88(505)	6.06(154)	18.50(470)	18.50(470)	706310-63-E	706310-63-E
L440/UL280	1300	--	30.38(772)	21.38(543)	12.44(316)	24.00(610)	24.00(610)	706310-360-A	706310-360-A

FRAME SIZE	YAB	XY	PART NUMBER	FRAME SIZE	XAB	XY	PART NUMBER
L210/UL132	7.48	4.25	602007-26-A	L210/UL132	10.88	8.00	706310-3-B
L230/UL160	8.44	4.25	602007-26-A	L230/UL160	11.88	8.00	706310-3-B
L250/UL180	9.12	4.25	602007-26-A	L250/UL180	12.62	8.00	706310-3-B
L280/UL200	10.00	4.25	602007-26-A	L280/UL200	13.50	8.00	706310-3-B
L320/UL230	11.00	4.25	602007-26-A	L320/UL230	14.50	8.00	706310-3-B
L360/UL250	12.00	4.25	602007-26-A	L360/UL250	15.50	8.00	706310-3-B
L400/UL280	13.12	4.25	602007-26-A	L400/UL280	16.62	8.00	706310-3-B

(1) *AA* CONDUIT.
 (2) *AA* PIPE TYP.
 (3) *AA* CONDUIT.
 (4) 2" DN -5A or 1" TAP DN -4C
 CONDUIT BOX CAN BE ROTATED 360°. CONDUIT BOX MAY BE LOCATED FL, F2 OR F3 AS SPECIFIED

100-6671919

CUSTOMER IS RESPONSIBLE FOR DETERMINING THAT BALDOR'S PRODUCT WILL PERFORM SUITABLY IN THE INTENDED APPLICATION.

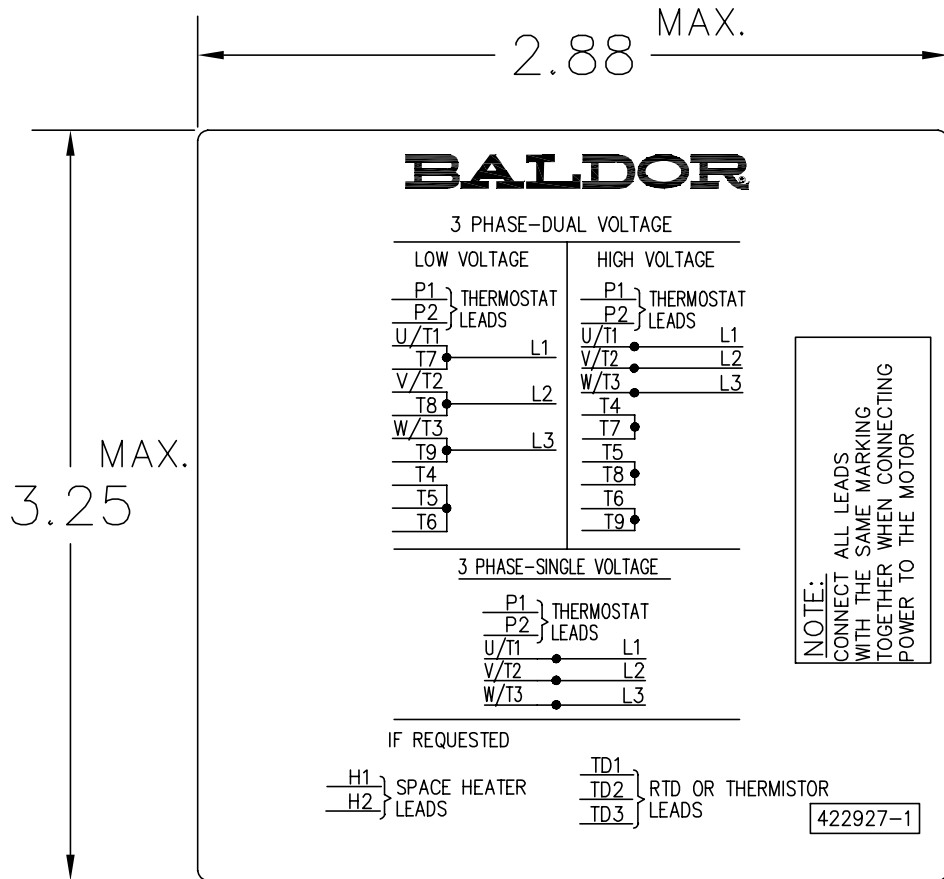
REV. DESC: ADD 1260 AMP L400, ADD 1300 AMP L440	TDR: 000000B04459
REV. LTR: A	VERSION: 01
FILE: \RGG\00003\688	REVISED: 10: 23: 58 06/18/2013
MTL: -	BY: RGGWT



DIM SHT NEMA L180 THRU L440 & IEC DL112 THRU DL280

SH 1 of 1

422927-001



NOTE:
DATA TO BE SIZED
SO THAT IT FITS INTO
MATERIAL DECAL
DIMENSIONS. MAKE
LETTERS & NUMBERS
AS LARGE AS POSSIBLE.

MATERIAL: CERAMATIC DGF-P4
PERMA GRIP ADHESIVE

ALL LETTERS, NUMBERS
AND LINES TO BE BLACK
ON WHITE BACKGROUND.

422927-001

REV. DESC: CHANGE BACKGROUND COLOR FROM GOLD TO WHITE		
REV. LTR: B	VERSION: 02	TDR: 000000788708
FILE: \RGG\00000\203	REVISED: 08:09:29 03/04/2013	
MTL: -	BY: RGGWT	

BALDOR

EXTERNAL CONNECTION LABEL

SH 1 of 1

Marketing maintained PDF of MN406:

<http://www.baldor.com/support/Literature/Load.ashx/MN406?ManNumber=MN406>