

**BALDOR® • RELIANCE** 

**Product Information Packet**

**IDDRPM18254C**

**25HP,1740RPM,3PH,60HZ,1844C,DPG-FV,FT/2**

Part Detail							
Revision:	-	Status:	PRD/A	Change #:		Proprietary:	No
Type:	AC	Elec. Spec:	L3346A	CD Diagram:	422927-001	Mfg Plant:	
Mech. Spec:		Layout:	617233-023	Poles:	04	Created Date:	04-10-2015
Base:		Eff. Date:	04-13-2015	Leads:			

Specs			
Catalog Number:	IDDRPM18254C		
Enclosure:	DPFV		
Frame:	FL1844CZ		
Frame Material:	Aluminum		
Output @ Frequency:	25.000 HP @ 60 HZ		
Synchronous Speed @ Frequency:	1800 RPM @ 60 HZ		
Voltage @ Frequency:	460.0 V @ 60 HZ		
Agency Approvals:	CCSA US		
Auxillary Box:	No Auxillary Box		
Base Indicator:	Rigid		
Bearing Grease Type:	Polyrex EM (-20F +300F)		
Current @ Voltage:	33.000 A @ 460.0 V		
Duty Rating:	CONT		
Enclosure Modification:	FORCE VENT		
Feedback Device:	NO FEEDBACK		
Frame Prefix:	FL		
Heater Indicator:	No Heater		
Insulation Class:	H		

<b>Mounting Arrangement:</b>	F1		
<b>Product Family:</b>	General Industrial		
<b>Pulley End Bearing Type:</b>	Ball		
<b>Pulley Face Code:</b>	C-Face		
<b>Shaft Ground Indicator:</b>	No Shaft Grounding		
<b>Shaft Rotation:</b>	Reversible		
<b>Motor Standards:</b>	NEMA		
<b>Thermal Device - Bearing:</b>	NONE (OLD)		
<b>Thermal Device - Winding:</b>	Normally Closed Thermostat		

Nameplate 000613006NS												
	<b>DUTY</b>		<b>HP</b>		<b>RPM</b>		<b>AMPS</b>		<b>VOLTS</b>		<b>HZ</b>	
	CONT		25		1740		33		460		60	
	CONT		25		3150		32		460		109	
<b>CAT.NO.</b>	IDDRPM18254C				<b>SPEC. NO.</b>	P18T0330						
<b>SER.NO.</b>					<b>FR</b>	FL 1844CZ		<b>INSUL</b>	H			
<b>PH.</b>	3		<b>MAX SAFE SPEED</b>	7200		<b>AMB.</b>	40			<b>MIN. AMB.</b>	0	
<b>DESIGN NO.</b>	L3346A				<b>TYPE</b>							
<b>S.F.</b>	1.0				<b>D.E. BRG.</b>	45BC02JPP30A						
<b>ENCL MOD</b>	FORCE VENT				<b>O.D.E. BRG.</b>	35BC02JPP30A						

Parts List		
Part Number	Description	Quantity
WS286788	WS P18T0330	1.000 EA
RA282996	RA P18T0330	1.000 EA
000613006NS	RPM AC WITH CERTIFIED LOGO	2.000 EA
000692000FP	NP, WARNING LIFT INSTRUCTIONS	1.000 EA
036170004EA	ROUND HEAD DRIVE SCREW	4.000 EA
411716004A	219P039 - 219P039 - LA	1.000 EA
422927001	C/D LABEL	1.000 EA
032003168CB	THRU BOLT	4.000 EA
033102012AG	HXNUT LEAD CONN	4.000 EA
034017012AB	LCKW 1/4 STD. PLATED	4.000 EA
036000050JB	M8-1,25 X 50 MHHCS	2.000 EA
400638001D	WAVEN ( Customer number 43699)	1.000 EA
411693051B	LUG, LIFTING	2.000 EA
807580023BAA	BRKT,DE,FL180	1.000 EA
807580024AAC	BRKT,ODE,FL180,DPFV	1.000 EA
000613006NT	NAME PLATE IEC	1.000 EA
032018004DK	HHCS,DRIP COVER	4.000 EA
032018006CK	HHCS 3/8-16X3/4L PLATED	4.000 EA
034017014AB	LCKW 3/8 STD. PLATED	4.000 EA
036000012HB	HHCS M6X12MM LONG PLATED	2.000 EA
036000012HB	HHCS M6X12MM LONG PLATED	3.000 EA
036000012HB	HHCS M6X12MM LONG PLATED	3.000 EA
036000020HB	HHCS M6-1.0X20MM PLATED	4.000 EA
036000040JB	HHCS,DE BRKT	4.000 EA

Parts List (continued)		
Part Number	Description	Quantity
036200030HB	M6 STUD	4.000 EA
036200055HB	M6 STUD	2.000 EA
036500008AB	METRIC H.NUT M6-1.0 PLTD	6.000 EA
036600008AB	MFWSH M6 PLATED	6.000 EA
036601008AB	M6 FLAT WASHER	3.000 EA
036620009AB	M8 EXTERNAL LK WASHER	1.000 EA
065530000B	GASK	1.000 EA
075451000A	COVER, CONDUIT BOX	1.000 EA
410978010A	FLANGE, INLET BLOWER	1.000 EA
410978011A	GRILL, INLET BLOWER HSG	1.000 EA
415000103G	TLUG	1.000 EA
417733001A	GSK C/ BOX BASE	2.000 EA
418010006A	CAST,MPLATE,180-280,EX1,7BY	1.000 EA
418018074A	GROUND LABEL G100 METRIC 160 D.C.	1.000 EA
422919374	HHCVR KIT,FL180,DPFV,DE/ODE	1.000 EA
422919374	HHCVR KIT,FL180,DPFV,DE/ODE	1.000 EA
600164003A	WHEEL, BLOWER	1.000 EA
610490001B	.33HP,3450//2850RPM,3PH,60//50HZ,56C,341	1.000 EA
706305301A	GUARD, SHAFT	1.000 EA
706313063F	BLOWER HOUSING	1.000 EA
706320003A	CONDUIT BOX	1.000 EA
807505070C	DUCT, BLOWER	1.000 EA
418057243A	GROOVE PIN	1.000 EA
807504053C	FL180 TEAO FRAME	1.000 EA

Product Information Packet: IDDRPM18254C - 25HP,1740RPM,3PH,60HZ,1844C,DPG-FV,FT/2

000640000P	TAG WINDING THERMOST	1.000 EA
004824007K	SPECIAL PAINT	0.100 EA
034180022FA	KEY 3/8X3/8X2-3/4 L	1.000 EA
418018116	WARNING PLATE	1.000 EA
036500008AB	METRIC H.NUT M6-1.0 PLTD	2.000 EA
036601008AB	M6 FLAT WASHER	2.000 EA

REL. S. O. - VOLTS 460 ENCLOSURE DPEV WYE CONN EQ CKT OHMS PER PHASE  
 FRAME FL1844 AMPS 33 MAX SAFE RPM 7200 (AT BASE RATING, 25 °C)  
 HP 25 DUTY CONT IM (AMPS) 14 R1 .279 X1 .949  
 BASE SPEED 1740 S.F. 1.0 P.F. @NL/FL .080/.839 R2 .198 X2 .903  
 PHASE/HERTZ 3/60 AMB °C/INSUL 40/H WK² (LB-FT²) .645 XM 15.4

**RATED FULL LOAD DATA**

	RPM	HP	TORQUE LB-FT	FUND VOLTS	FREQ-HZ	AMPS
BASE SPEED	1741	25.0	75	460	60	34.3
MAX SPEED	3152	25.0	42	460	109	31.6
MIN SPEED	0	0	75	28.1	1.97	34.3



**LOAD PERFORMANCE AT BASE SPEED**

	RPM	HP	TORQUE LB-FT	FUND VOLTS	FREQ-HZ	AMPS
NO LOAD	1800	0	0	460	60	17.6
1/4	1787	6.25	18	460	60	19.0
1/2	1773	12.5	37	460	60	22.6
3/4	1758	18.7	56	460	60	27.8
FULL LOAD	1741	25.0	75	460	60	34.3
O/L	1650	47.4	151	460	60	69.2

**BLOWER DATA**

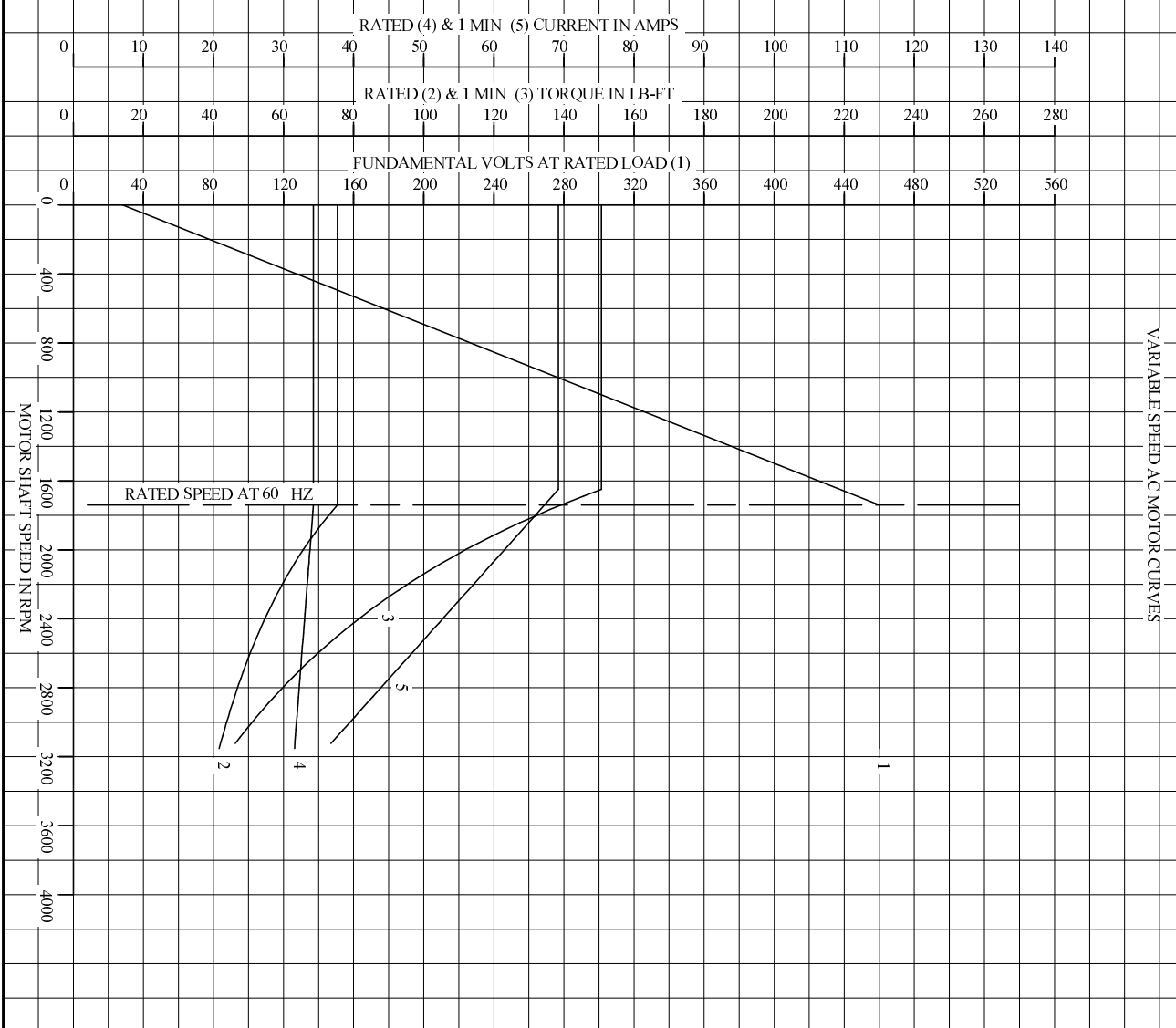
VOLTS	PH/HZ	FL AMPS	LR AMPS	FRAME	CFM

REMARKS: TYPICAL DATA

	DR. BY	B. GRANT	<b>A-C MOTOR PERFORMANCE DATA</b>
	CK. BY	B. GRANT	
		APP. BY	T. COPE
A MEMBER OF THE ABB GROUP		DATE	7-24-06
		ISSUE DATE	7-24-06



REL. S. O.	-	VOLTS	460	ENCLOSURE	DPFV	WYE CONN EQ CKT OHMS PER PHASE (AT BASE RATING, 25 °C)
FRAME	FL1844	AMPS	33	MAX SAFE RPM	7200	R1 .279
HP	25	DUTY	CONT	IM (AMPS)	14	X1 .949
BASE SPEED	1740	S.F.	1.0	P.F. @NL/FL	.080/.839	R2 .198
PHASE/HERTZ	3/60	AMB °C/INSUL	40/H	Wk <sup>2</sup> (Lb-Ft <sup>2</sup> )	.645	X2 .903
						X3 15.4



REMARKS: TYPICAL DATA  
DATA VALID FOR NAMEPLATE SPEED RANGE ONLY

**BALDOR**

A MEMBER OF THE ABB GROUP

DR. BY B. GRANT  
CK. BY B. GRANT  
APP. BY T. CURR  
DATE 7-24-06

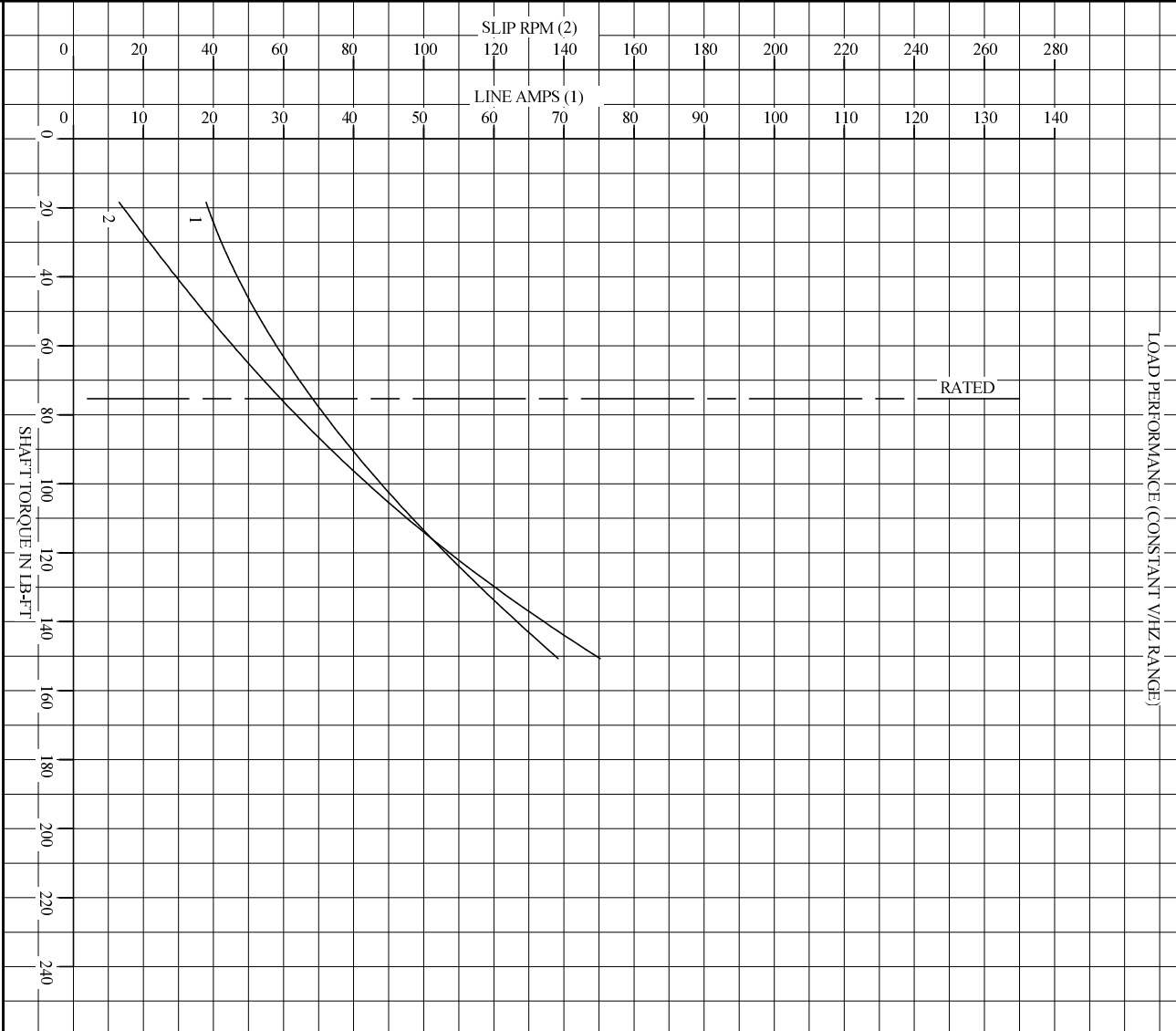
**A-C MOTOR**

**PERFORMANCE**

**CURVES**

ISSUE DATE 7-24-06

REL. S. O.	-	VOLTS	460	ENCLOSURE	DPFV	WYE CONN EQ CKT OHMS PER PHASE
FRAME	FL1844	AMPS	33	MAX SAFE RPM	7200	(AT BASE RATING, 25 °C)
HP	25	DUTY	CONT	IM (AMPS)	14	R1 .279 X1 .949
BASE SPEED	1740	S.F.	1.0	P.F. @NL/FL	.080/.839	R2 .198 X2 .903
PHASE/HERTZ	3/60	AMB °C/INSUL	40/H	WK² (LD-FL 2)	.645	X3 15.4



REMARKS: TYPICAL DATA  
DATA VALID FOR NAMEPLATE SPEED RANGE ONLY

**BALDOR**

A MEMBER OF THE ABB GROUP

DR. BY B. GRANT

CK. BY B. GRANT

APP. BY T. CURR

DATE 7-24-06

**A-C MOTOR**

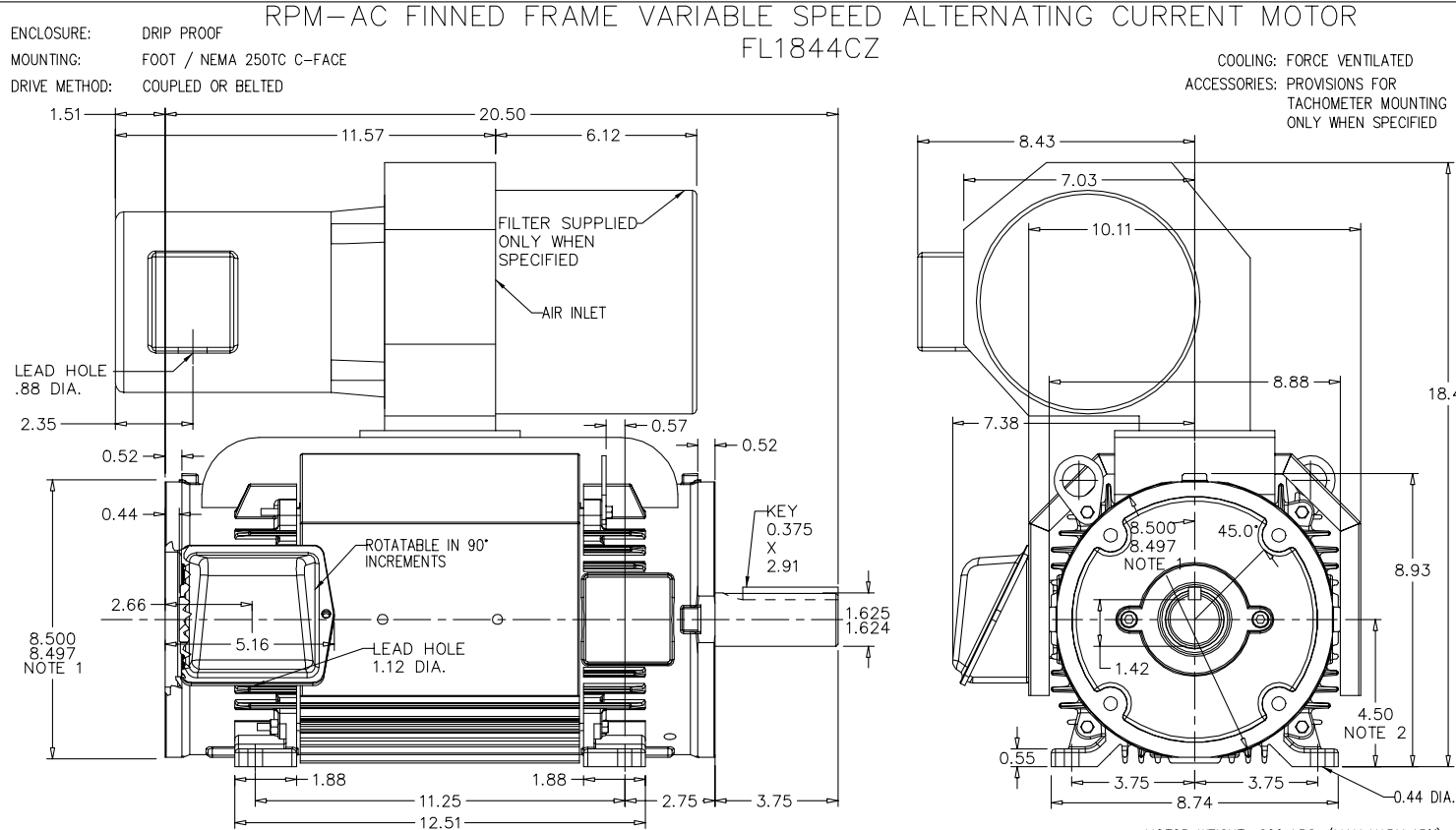
**PERFORMANCE**

**CURVES**

ISSUE DATE SH 2 OF 2

7-24-06

617233-023



ENCLOSURE: DRIP PROOF  
 MOUNTING: FOOT / NEMA 250TC C-FACE  
 DRIVE METHOD: COUPLED OR BELTED

RPM-AC FINNED FRAME VARIABLE SPEED ALTERNATING CURRENT MOTOR  
 FL1844CZ

COOLING: FORCE VENTILATED  
 ACCESSORIES: PROVISIONS FOR TACHOMETER MOUNTING ONLY WHEN SPECIFIED

NOTE 1: C-FACE & TACHOMETER MOUNTING  
 1/2-13 TAP, 1.00 DEEP, ON A 7.25 DIA. BOLT CIRCLE  
 FACE RUNOUT AND ECCENTRICITY 0.004 MAX. T.I.R.  
 NOTE 2: SHAFT HEIGHT WILL NOT BE EXCEEDED  
 SHIMS UP TO 0.03 INCHES IN THICKNESS ARE USUALLY  
 REQUIRED FOR COUPLED OR GEARED MACHINES

TERMINAL BOX MAY BE LOCATED F1 OR F2 IF SPECIFIED  
 40 AMP STEEL TERMINAL BOX SHOWN  
 REFER TO 616779-50 FOR SPECIFIED TERMINAL BOX DIMENSIONS  
 REFER TO 616779-55 FOR SPECIFIED TACHOMETER DIMENSIONS  
 CUSTOMER IS RESPONSIBLE FOR DETERMINING THAT BALDOR'S PRODUCT WILL PERFORM SUITABLY IN THE INTENDED APPLICATION.

MOTOR WEIGHT: 200 LBS. (MAY VARY 15%)  
 DIMENSIONS ARE IN INCHES SCALE: 1.00

REV. DESC: SEE TDR.	VERSION: 03	TDR: 00000751510
REV. LTR: C	REVISED: 03:49:41 06/13/2012	BY: RGGJGG
FILE: \RGG\00003\415		
MTL: -		

**BALDOR**

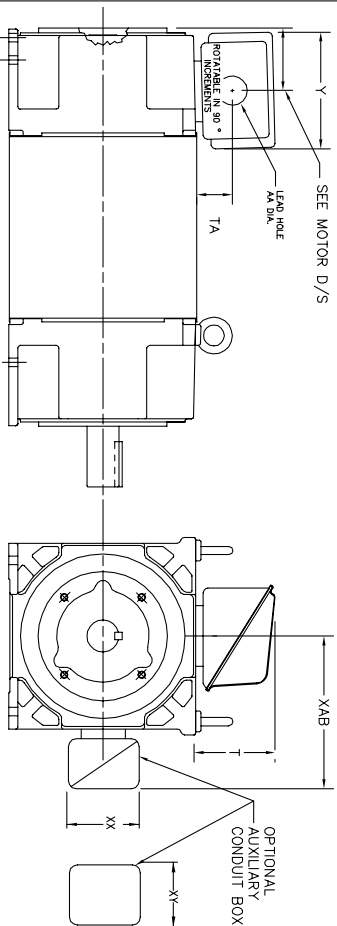
DIM SH 250TC RPMAC DPFV FL1844CZ FT MT PROV FOR TACH  
 SH 1 of 1

617233-023

# INDUSTRIAL ALTERNATING CURRENT MOTORS

## RPM AC

STEEL, CAST IRON, MILL AND TERMINAL BOARD CONDUIT BOX DIMENSIONS  
 NEMA FRAMES RL210 thru RL280 and IEC FRAMES RDL132 thru RDL180  
 NEMA FRAMES FL180 thru FL280 and IEC FRAMES FDL112 thru FDL180



FRAME	TYPE	TERMINAL STRIP	AMPS	C/BOX	Y	TA	T	AA
FL180	STEEL	N	40	706320003A	5.00	1.62	3.00	1.12
FL180	STEEL	Y/N	7/5	706320005A	6.12	2.38	4.38	1.75/2.00
FL180	STEEL	N	208	706320007A	7.62	2.00	7.00	2.50/3.00
FL180 & FDL11	CAST IRON	Y/N	60	706320004C	5.75	2.38	4.38	1.0 TAP
FL180 & FDL11	MILL	Y	100	706310056A	7.75	2.30	4.40	PG29/PG16

FL210 & RL210	STEEL	N	61	075452000B	6.34	2.00	4.12	1.75
FL210 & RL210	STEEL	N	121	075454001AJ	7.69	2.38	5.25	1.94
FL210 & RL210	STEEL	N	305	706320016A	9.00	4.12	8.44	4.59
FL210 & RL210	CAST IRON	N	110	075460062B	7.25	2.50	5.25	1.5 TAP
FL210 & RL210	CAST IRON	N	110	075460062B	7.25	2.50	5.25	1.5 TAP
FL210 & RL210	MILL	Y	100	706310226R	7.75	2.30	4.40	PG29/PG16
FL210 & RL210	MILL	Y	160	706310226R	7.75	2.30	4.40	PG29/PG16
FL210 & RL210	MILL	Y	160	706310056B	9.00	3.06	5.40	PG36/PG16
FL210 & RL210	MILL	Y	400	706310063B	14.39	7.43	12.15	BLANK

FL250 & RL250	STEEL	N	61	075452000B	6.34	2.00	4.12	1.75
FL250 & RL250	STEEL	N	121	075454001AJ	7.69	2.38	5.25	1.94
FL250 & RL250	STEEL	N	305	706320016A	9.00	4.12	8.44	4.59
FL250 & RL250	CAST IRON	N	110	075460062B	7.25	2.50	5.25	1.5 TAP
FL250 & RL250	CAST IRON	N	110	075460062B	7.25	2.50	5.25	1.5 TAP
FL250 & RL250	MILL	Y	100	706310226R	7.75	2.30	4.40	PG29/PG16
FL250 & RL250	MILL	Y	100	706310056A	7.75	2.30	4.40	PG29/PG16
FL250 & RL250	MILL	Y	160	706310226R	7.75	2.30	4.40	PG29/PG16
FL250 & RL250	MILL	Y	160	706310056B	9.00	3.06	5.40	PG36/PG16
FL250 & RL250	MILL	Y	400	706310063B	14.39	7.43	12.15	BLANK

FL280 & RL280	STEEL	N	160	706320009A	7.25	3.50	7.06	2.50
FL280 & RL280	STEEL	N	305	706320016A	9.00	4.12	8.44	4.59
FL280 & RL280	STEEL	N	500	702658001C	14.62	7.56	12.70	5.00
FL280 & RL280	CAST IRON	N	140	706320012B	9.25	4.81	8.56	3.0 TAP
FL280 & RL280	CAST IRON	N	210	706320013A	10.50	4.88	9.00	4.0 TAP
FL280 & RL280	CAST IRON	N	510	706320014D	15.00	7.56	12.81	5.0 TAP
FL280 & RL280	MILL	Y	100	706310056A	7.75	2.30	4.40	PG29/PG16
FL280 & RL280	MILL	Y	160	706310056B	9.00	3.06	5.40	PG36/PG16
FL280 & RL280	MILL	Y	160	706310056B	9.00	3.06	5.40	PG36/PG16
FL280 & RL280	MILL	Y	400	706310063B	14.39	7.43	12.15	BLANK

FRAME SIZE	XAB	XX	XY	PART NUMBER	FRAME SIZE	XAB	XX	XY	PART NUMBER
FL180/TL180/RL280/VL132	7.38	4.25	4.25	603C007-26-A	FL210/TL180/RL280/VL132	10.88	8.00	8.00	706310-3-B
FL180/TL180/RL280/VL160	8.44	4.25	4.25	603C007-26-A	FL250/TL180/RL280/VL160	11.88	8.00	8.00	706310-3-B
FL280/TL180/RL280/VL180	9.12	4.25	4.25	603C007-26-A	FL280/TL180/RL280/VL180	12.62	8.00	8.00	706310-3-B

- (1) TAP CONDUIT
- (2) TAP PIPE TAP
- (3) CUSTOMER TO PROVIDE HOLE FOR CONDUIT.
- (4) 2" DN -5A or 1" TAP DN -4C

TERMINAL BOX CAN BE KEPT FOR LEAD OUTLET AT TOP SIDES OR BOTTOM TERMINAL BOX CAN BE KEPT FOR LEAD OUTLET AT TOP SIDES OR BOTTOM SIDE. LEAD IN AND LEAD OUT DIMENSIONS SPECIFIED IN DIMENSIONS SPECIFIED. DIMENSIONS SPECIFIED IN DIMENSIONS SPECIFIED.

050-667919

CUSTOMER IS RESPONSIBLE FOR DETERMINING THAT BALDOR'S PRODUCT WILL PERFORM SUITABLY IN THE INTENDED APPLICATION.

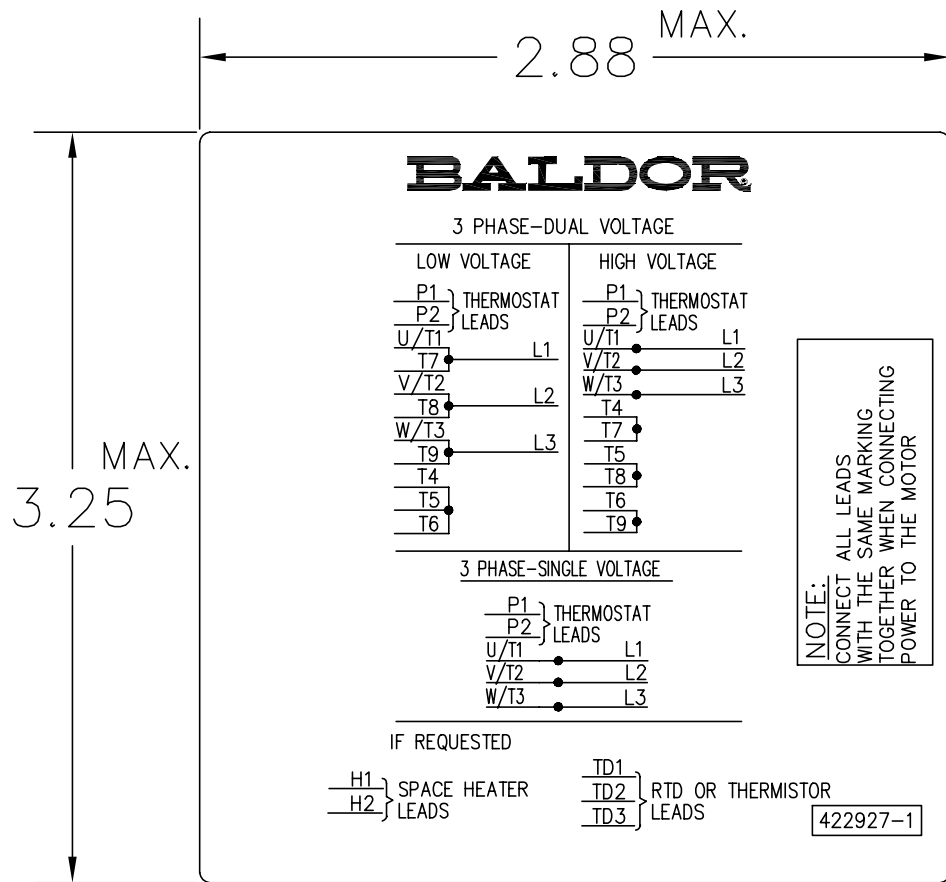
REV. DESC: ADD C/BOX 706310-225 & -226R	VERSION: 05	TDR: 000001093792
REV. LTR: E	REVISED: 07: 27: 52 12/18/2018	BY: RGGWT
FILE: \RGG\00003\692		
MTL: -		

**BALDOR - RELIANCE®**

DIM SHT NEMA RL210-RL280 FL180-FL280 IEC RDL132-RDL180

SH 1 of 1

422927-001



NOTE:  
DATA TO BE SIZED  
SO THAT IT FITS INTO  
MATERIAL DECAL  
DIMENSIONS. MAKE  
LETTERS & NUMBERS  
AS LARGE AS POSSIBLE.

MATERIAL: CERAMATIC DGF-P4  
PERMA GRIP ADHESIVE

ALL LETTERS, NUMBERS  
AND LINES TO BE BLACK  
ON WHITE BACKGROUND.

422927-001

REV. DESC: CHANGE BACKGROUND COLOR FROM GOLD TO WHITE		
REV. LTR: B	VERSION: 02	TDR: 000000788708
FILE: \RGG\00000\203	REVISED: 08:09:29 03/04/2013	
MTL: -	BY: RGGWT	

**BALDOR**

EXTERNAL CONNECTION LABEL

SH 1 of 1

Marketing maintained PDF of MN406:

<http://www.baldor.com/support/Literature/Load.ashx/MN406?ManNumber=MN406>